



US00D439242S

(12) **United States Design Patent**
Brown et al.

(10) **Patent No.:** **US D439,242 S**

(45) **Date of Patent:** **** Mar. 20, 2001**

(54) **INFORMATION APPLIANCE**

(75) Inventors: **Stephen J. Brown**, Woodside;
Gretchen Barnes, San Francisco; **Peter Skillman**, San Carlos, all of CA (US)

(73) Assignee: **Health Hero Network, Inc.**, Mountain View, CA (US)

(**) Term: **14 Years**

(21) Appl. No.: **29/120,761**

(22) Filed: **Mar. 24, 2000**

(51) **LOC (7) Cl.** **14-03**

(52) **U.S. Cl.** **D14/240; D14/356**

(58) **Field of Search** D14/137, 230,
D14/140, 142, 358, 356, 240, 242, 149,
159, 308, 310, 141, 155, 311, 312, 191;
379/419, 420, 428, 440, 399, 412; 455/550-575,
90; D13/184, 164, 152, 179

(56) **References Cited**

U.S. PATENT DOCUMENTS

D. 320,599	*	10/1991	Ocepek	D14/141
D. 325,913	*	5/1992	Takahashi et al.	D14/191
D. 343,614	*	1/1994	Khoo et al.	D14/137
D. 349,501	*	8/1994	Fan	D14/240
D. 353,594	*	12/1994	Kawano et al.	D14/191
D. 367,650	*	3/1996	Solomita	D14/141
D. 370,911	*	6/1996	Mo	D14/149
D. 377,650	*	1/1997	Obata	D14/171
D. 378,920	*	4/1997	Kurcbart et al.	D14/191
D. 379,459	*	5/1997	Biasotti et al.	D14/191

D. 380,501	*	7/1997	Osterhout et al.	D21/331
D. 390,230	*	2/1998	Wolf et al.	D14/191
D. 402,656	*	12/1998	Nishii et al.	D14/191
D. 416,894	*	11/1999	Kolwaite	D14/141
D. 419,995	*	2/2000	Kolwaite	D14/141
D. 420,009	*	2/2000	Dunn et al.	D14/240
D. 420,362	*	2/2000	Pedraza et al.	D14/242
5,457,600	*	10/1995	Campbell et al.	361/643
5,717,739	*	2/1998	Dyer et al.	379/67

* cited by examiner

Primary Examiner—Jeffrey Asch

(74) *Attorney, Agent, or Firm*—Black Lowe & Graham PLLC

(57) **CLAIM**

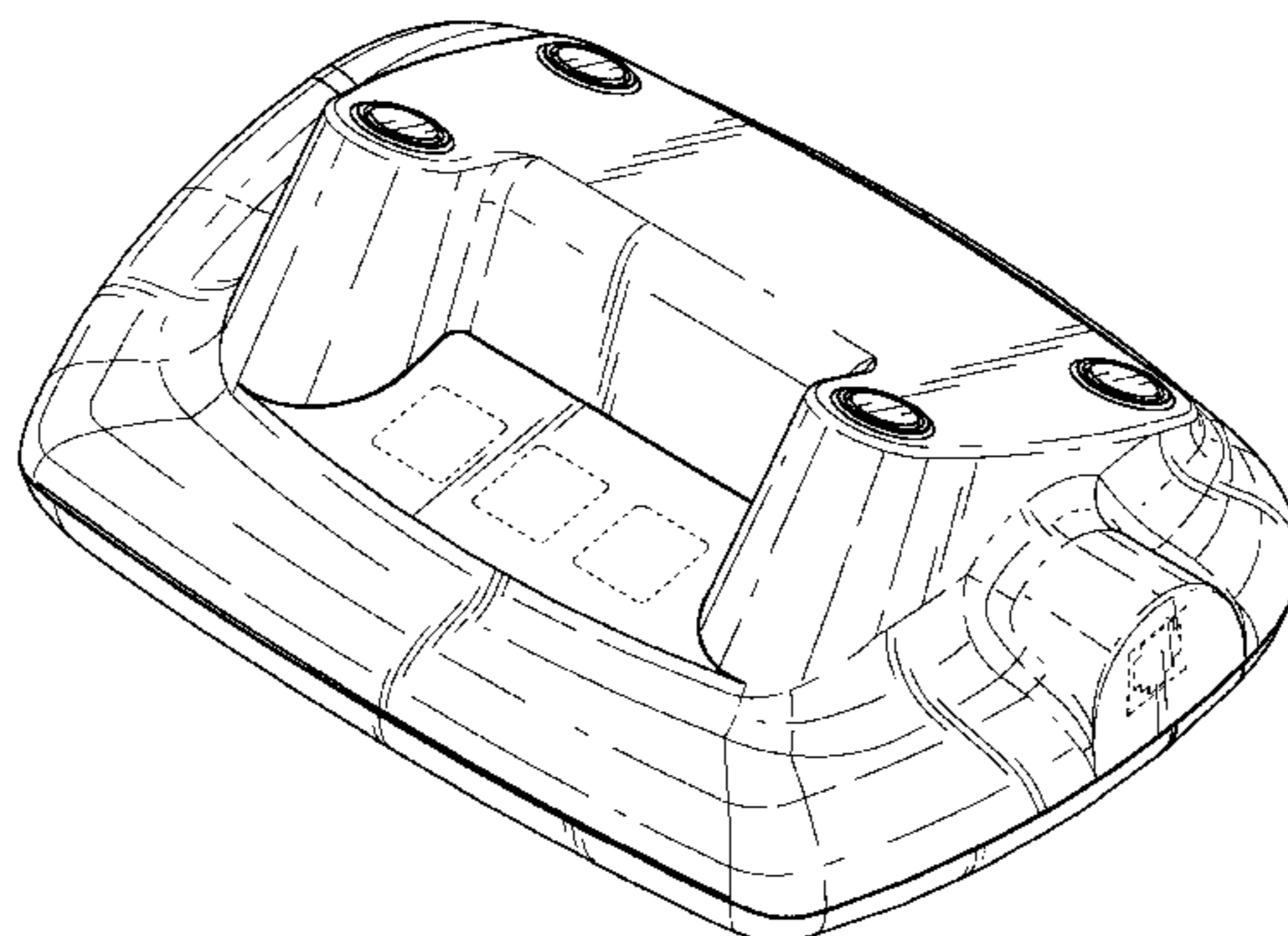
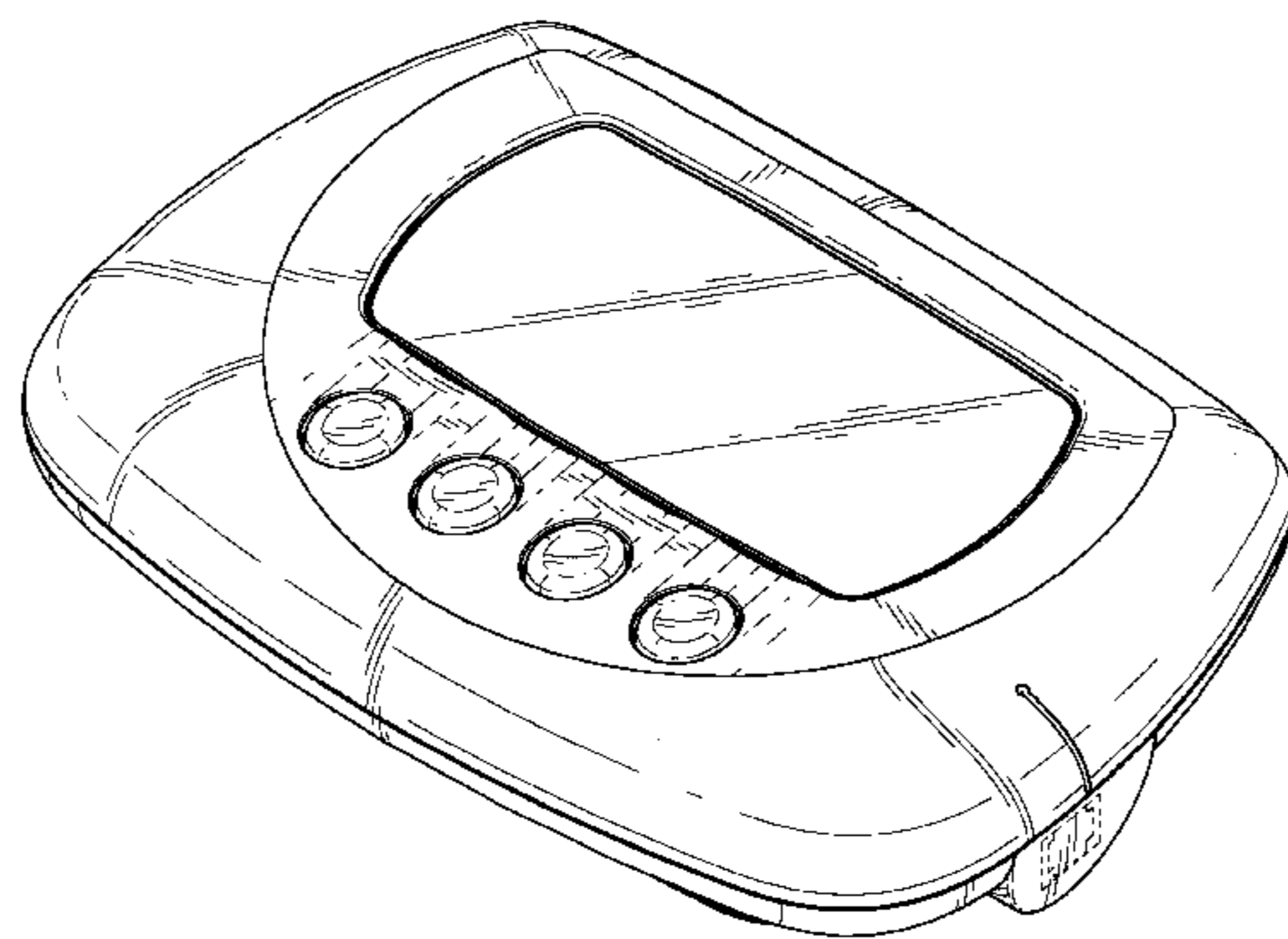
The ornamental design for an information appliance, as shown and described.

DESCRIPTION

FIG. 1 is a top perspective view of the information appliance;
FIG. 2 is a bottom perspective view thereof;
FIG. 3 is a top view thereof;
FIG. 4 is a back view thereof;
FIG. 5 is a right side view thereof;
FIG. 6 is a left side view thereof;
FIG. 7 is a front view thereof; and,
FIG. 8 is a bottom view thereof.

The broken line showings throughout the views are for illustrative purposes only and forms no part of the claimed design.

1 Claim, 4 Drawing Sheets



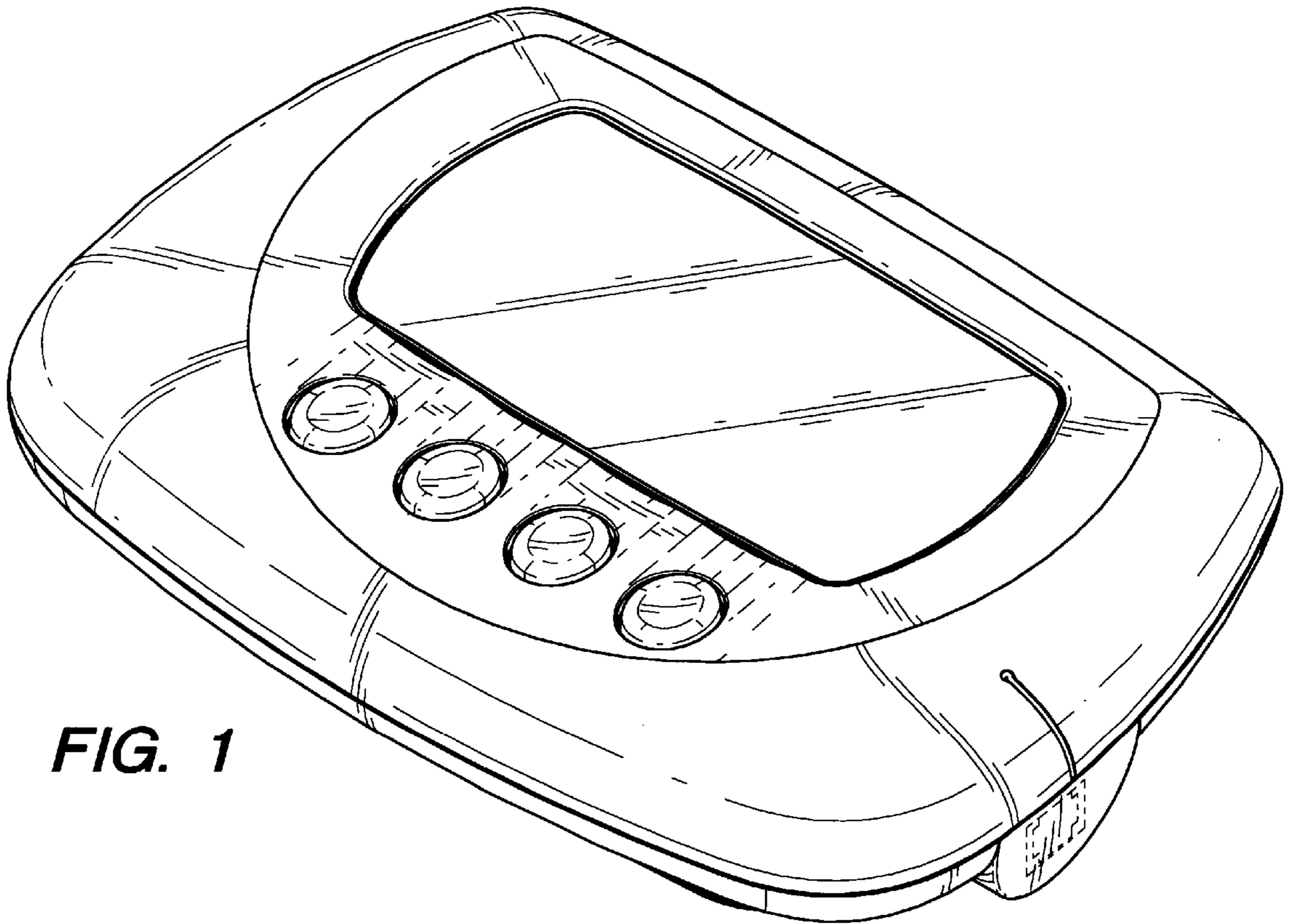


FIG. 1

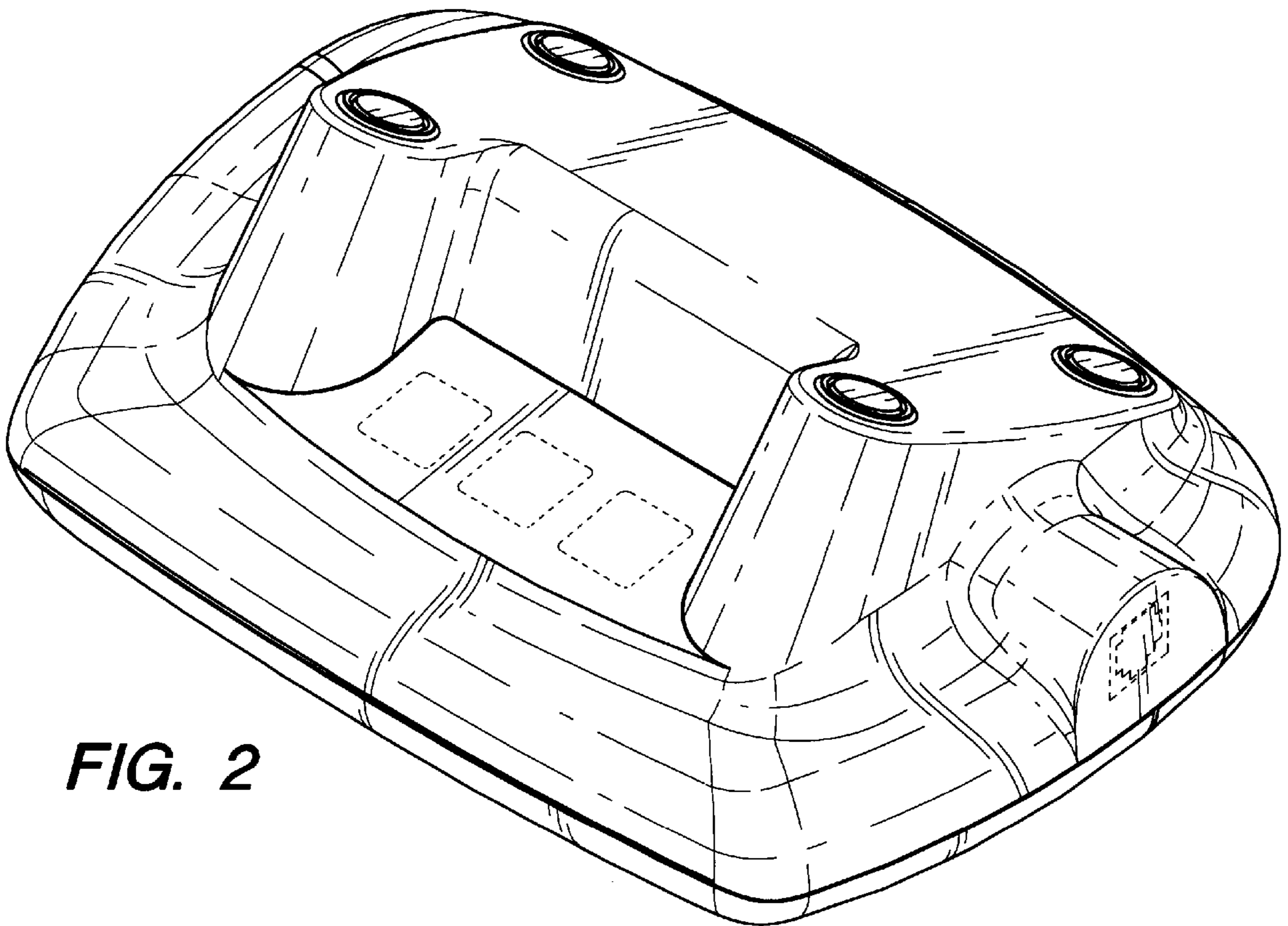


FIG. 2

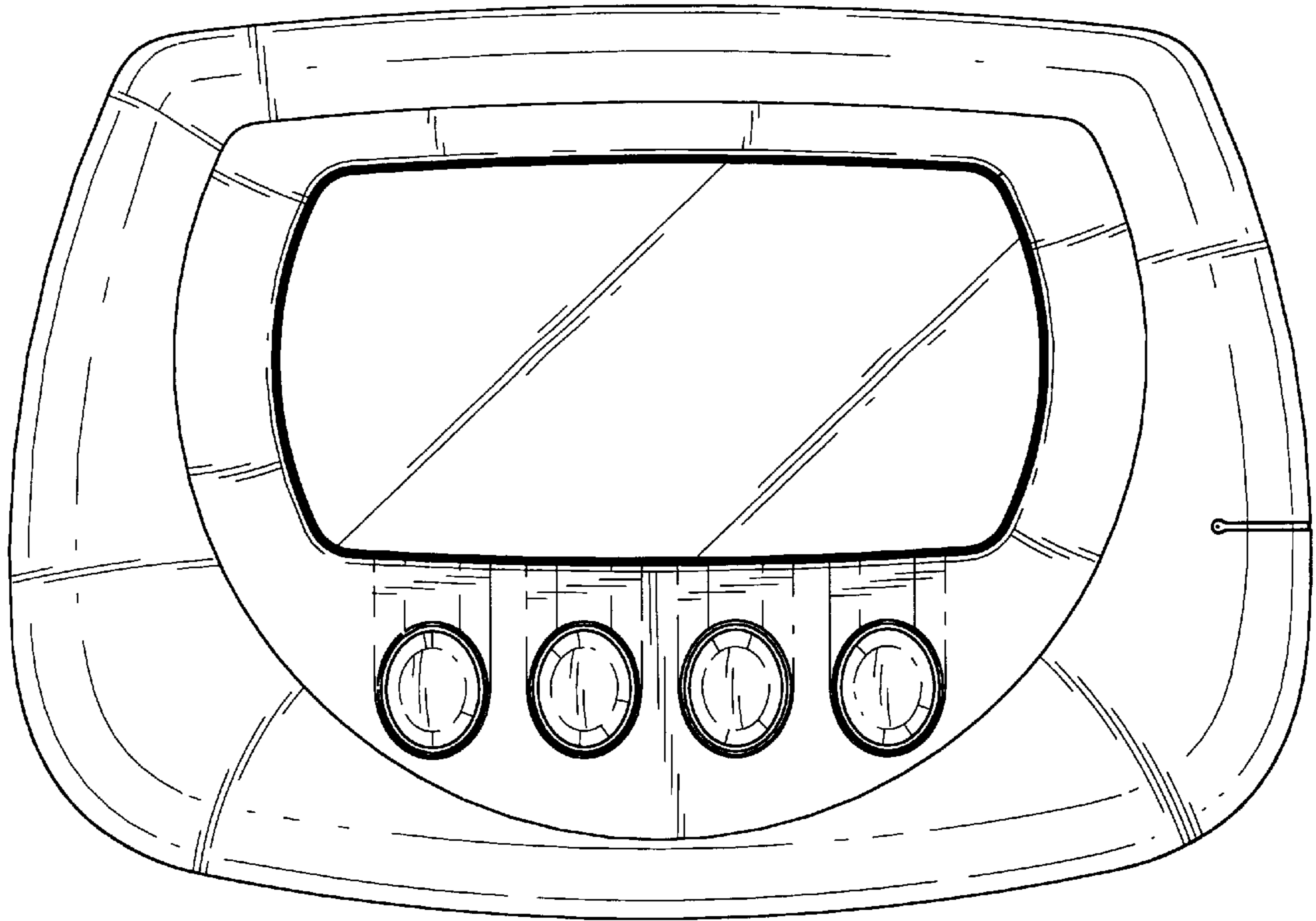


FIG. 3

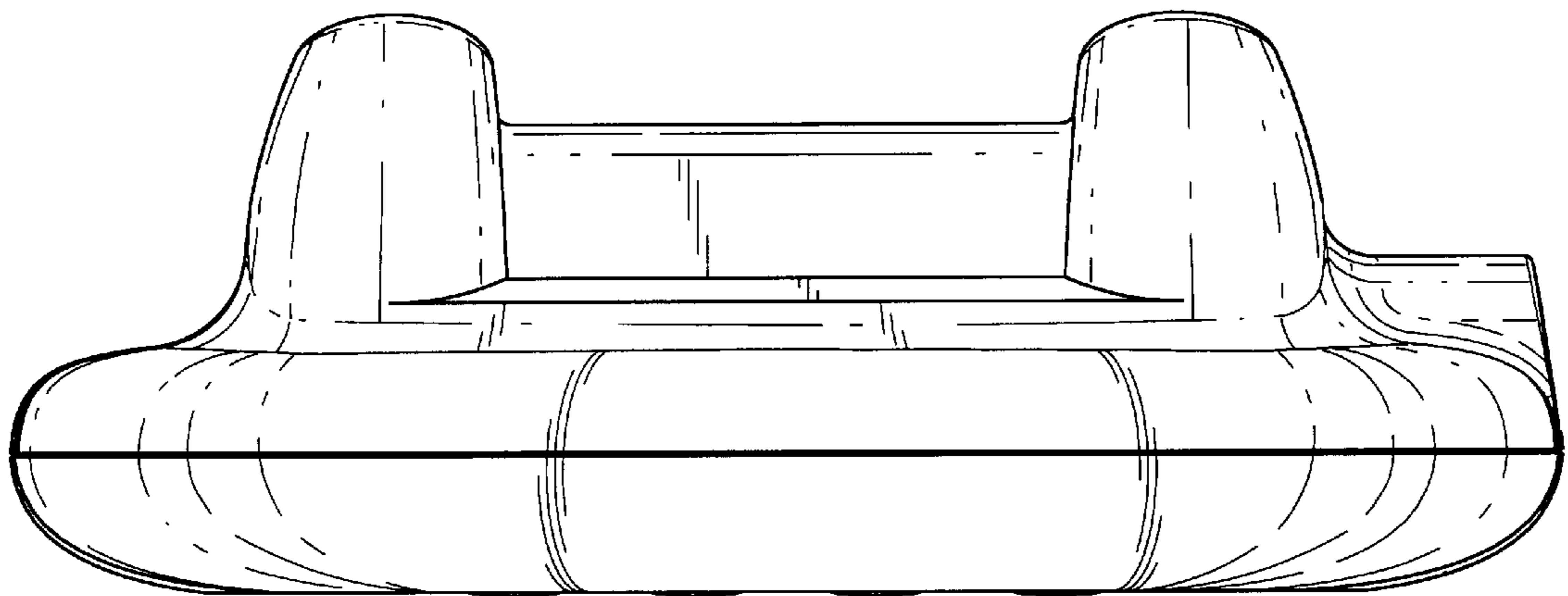


FIG. 4

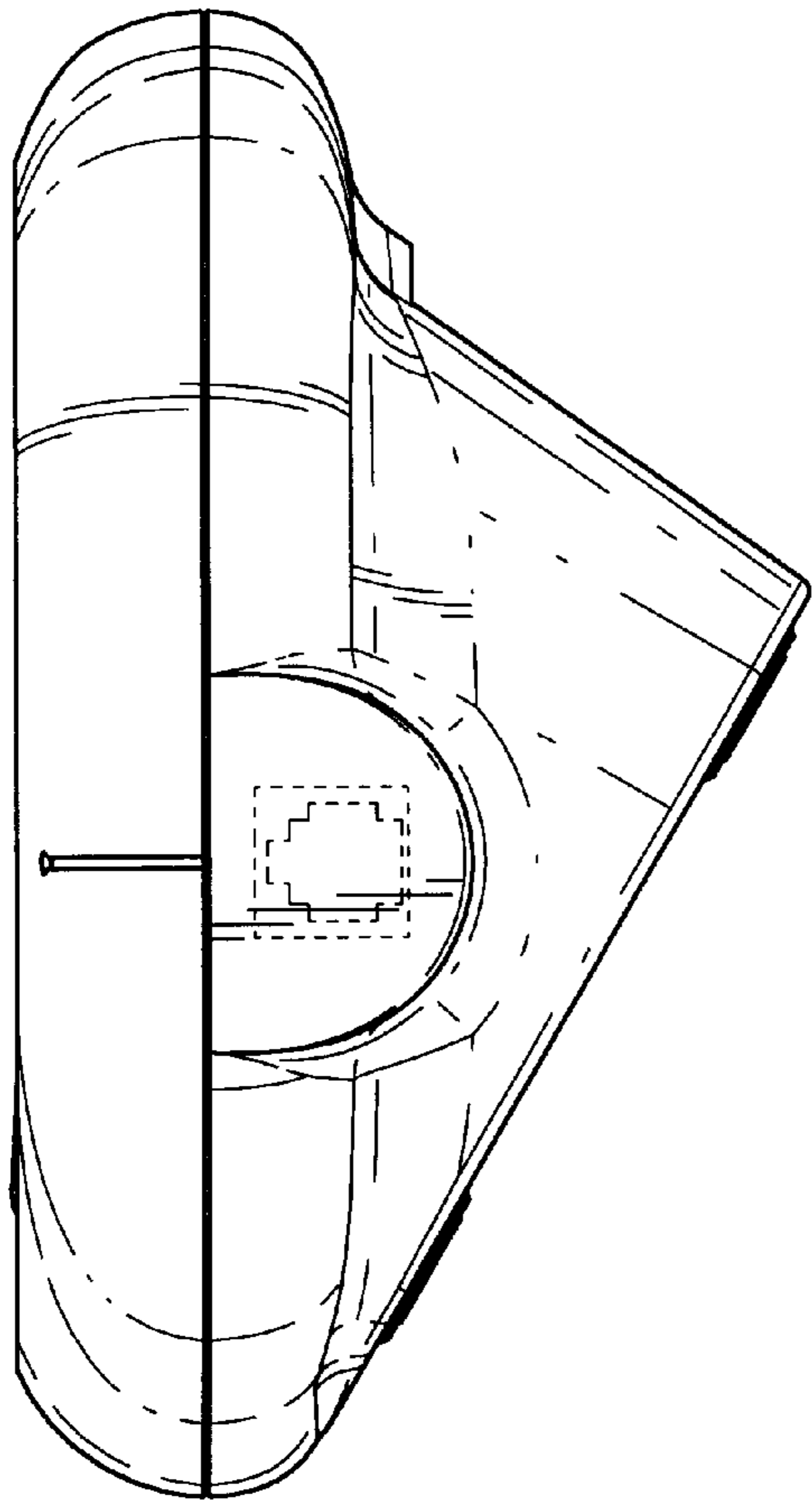


FIG. 5

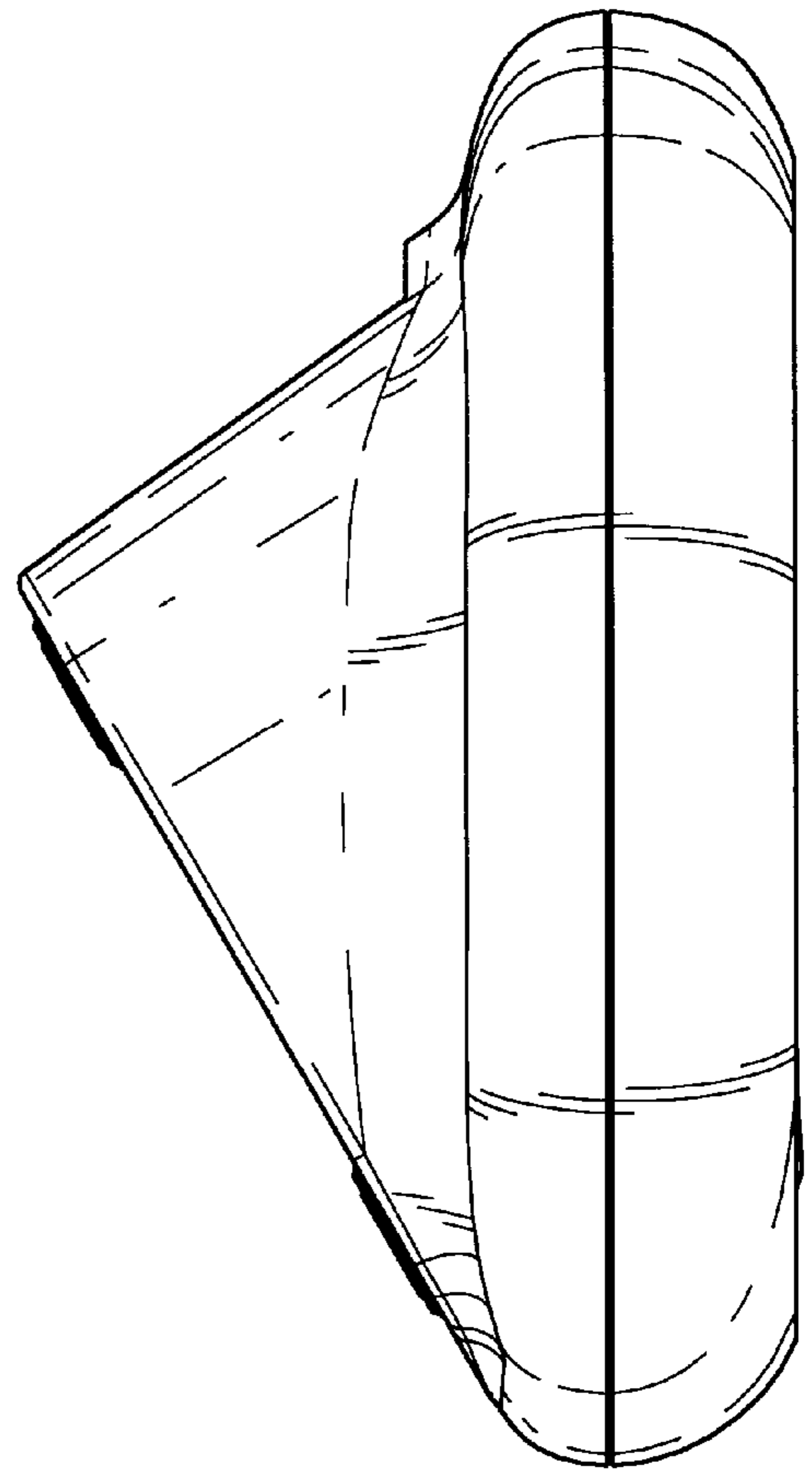


FIG. 6

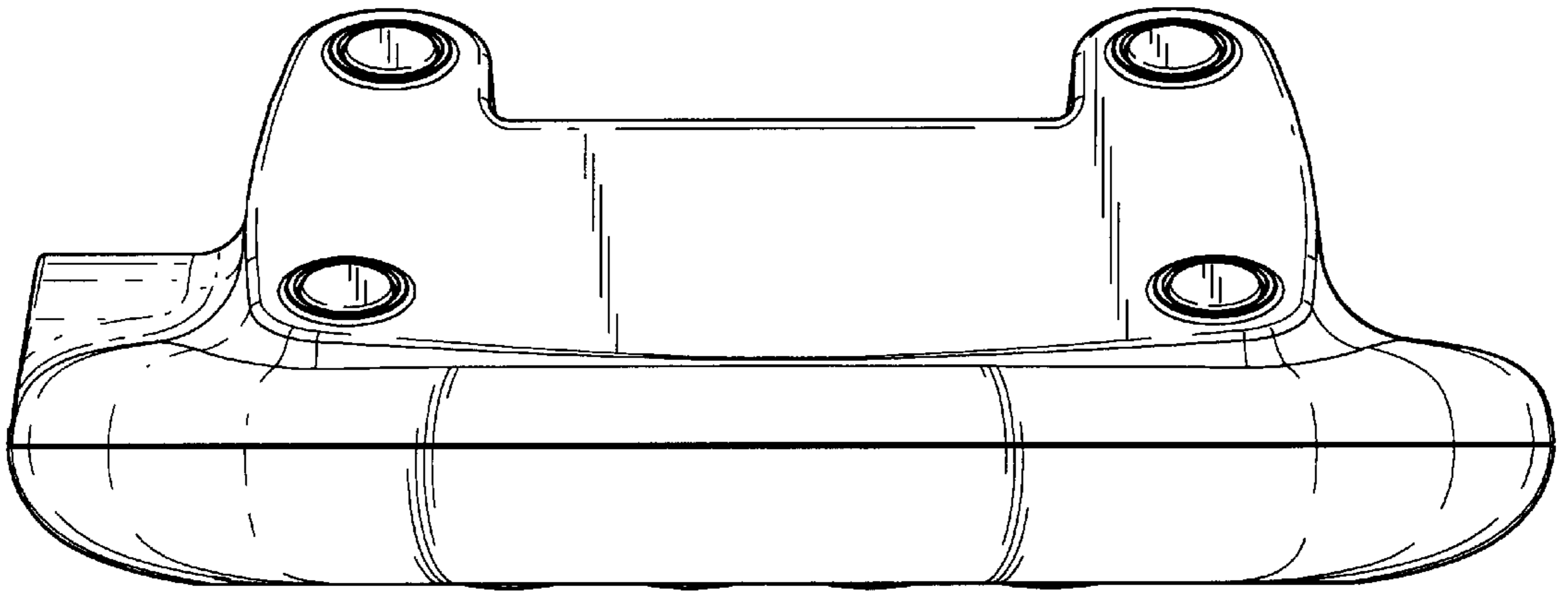


FIG. 7

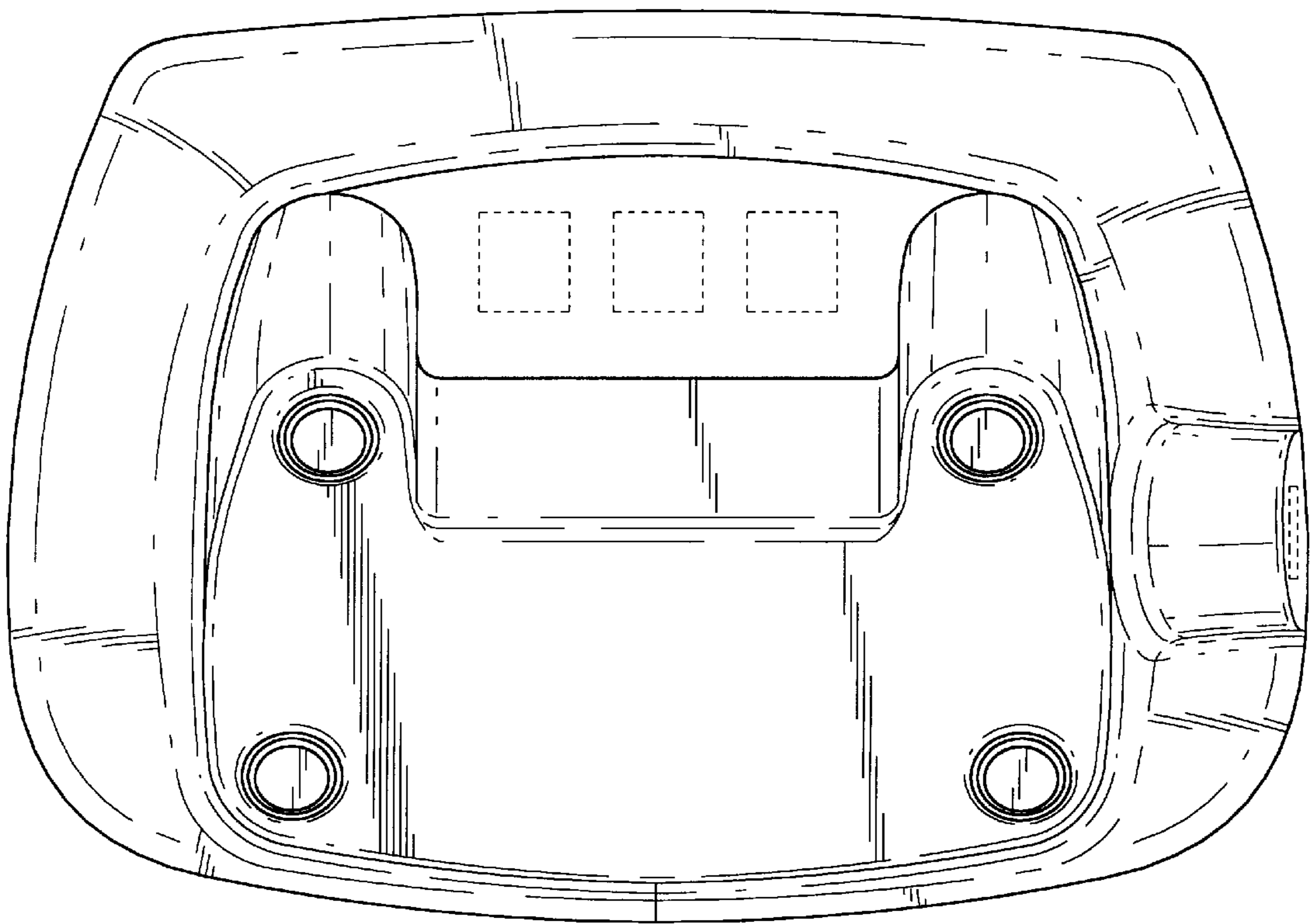


FIG. 8