



US00D439241S

(12) **United States Design Patent**
Barkan

(10) **Patent No.:** **US D439,241 S**

(45) **Date of Patent:** **** Mar. 20, 2001**

(54) **SUPPORT ARM FOR A VIDEO TAPE RECORDER**

4,607,308 * 8/1986 Tsuruta et al. 360/132

* cited by examiner

(76) **Inventor:** **Lior Barkan**, 39A Kehilat Sophia, Tel Aviv 69018 (IL)

Primary Examiner—Nanda Bondade

(74) *Attorney, Agent, or Firm*—Venable; Robert Kinberg

(**) **Term:** **14 Years**

(57) **CLAIM**

(21) **Appl. No.:** **29/091,161**

The ornamental design for a support arm for a video tape recorder, as shown and described.

(22) **Filed:** **Jul. 24, 1998**

DESCRIPTION

(30) **Foreign Application Priority Data**

Feb. 4, 1998 (IL) 29288

(51) **LOC (7) Cl.** **14-99**

(52) **U.S. Cl.** **D14/217**

(58) **Field of Search** D14/121, 156, D14/217, 260, 299; 360/132; 369/30, 36-37, 39, 75.2

FIG. 1 is a perspective view of a support arm for a video tape recorder showing my new design;

FIG. 2 is a front elevational view thereof;

FIG. 3 is a top plan view thereof;

FIG. 4 is a rear elevational view thereof;

FIG. 5 is a bottom plan view thereof;

FIG. 6 is a right side elevational view thereof; and,

FIG. 7 is a left side elevational view thereof.

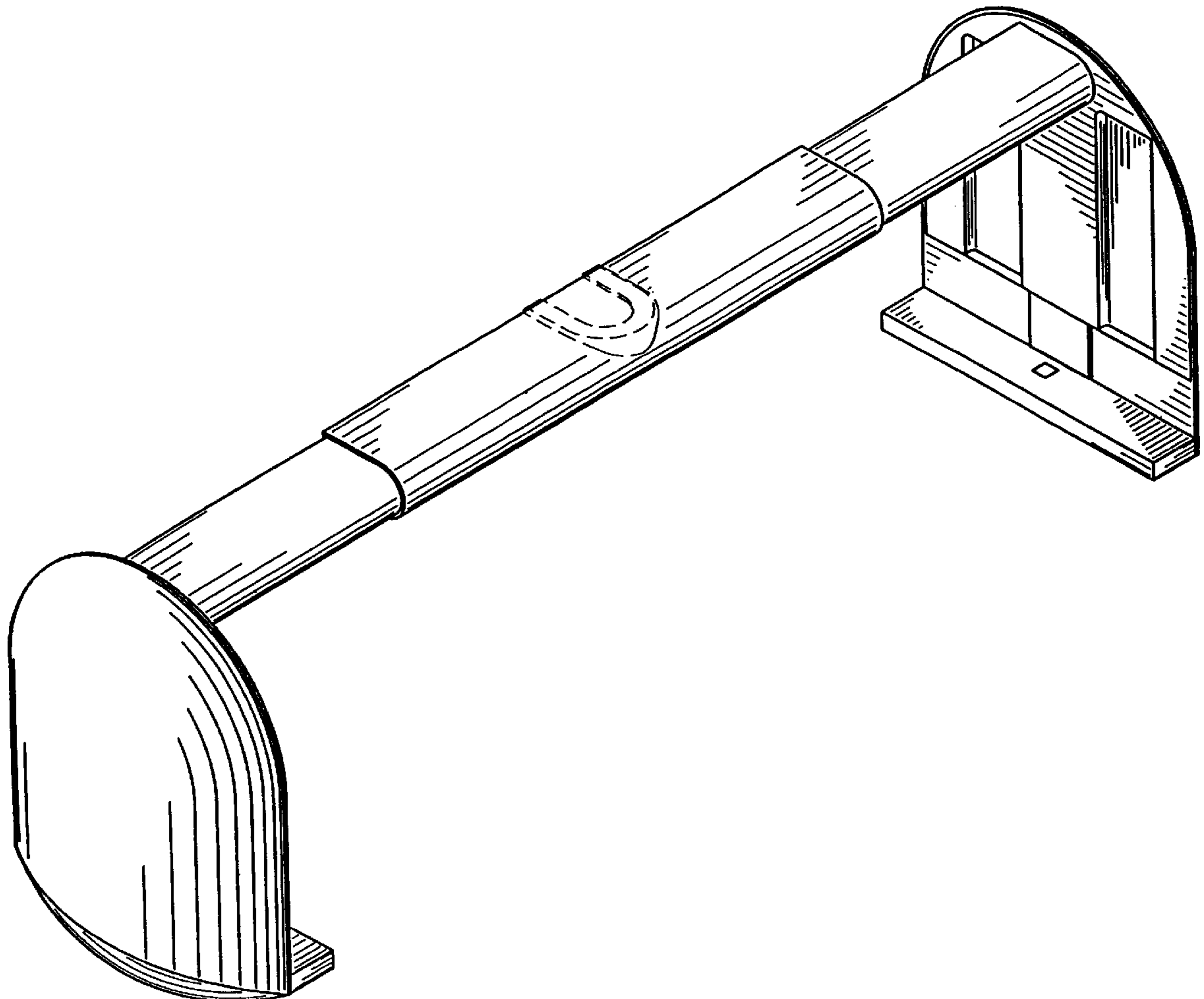
The broken line showing on FIGS. 1-4 is for illustrative purposes only and forms no part of the claimed design.

(56) **References Cited**

U.S. PATENT DOCUMENTS

D. 369,809 * 5/1996 Pines et al. D14/217

1 Claim, 4 Drawing Sheets



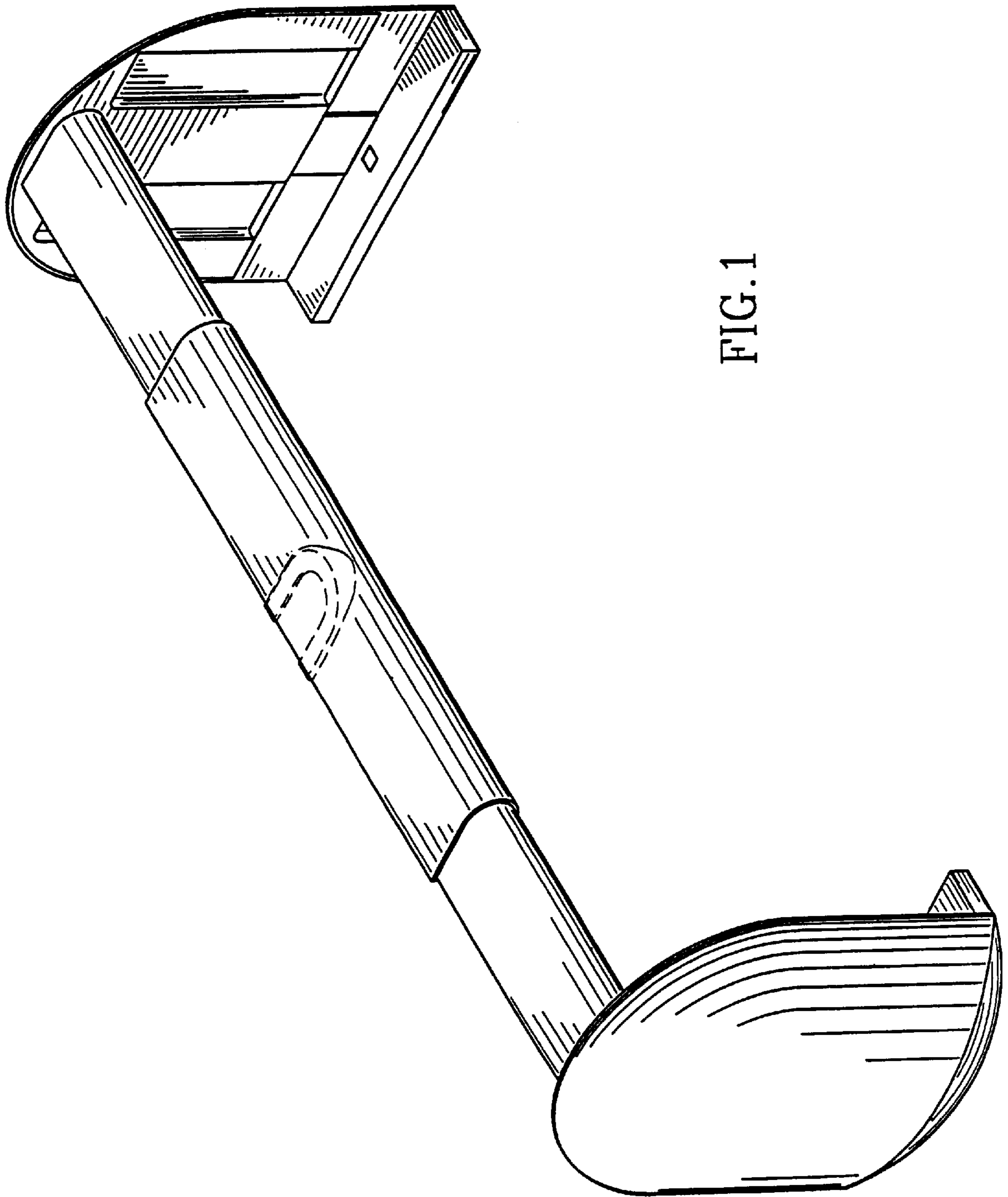


FIG. 1

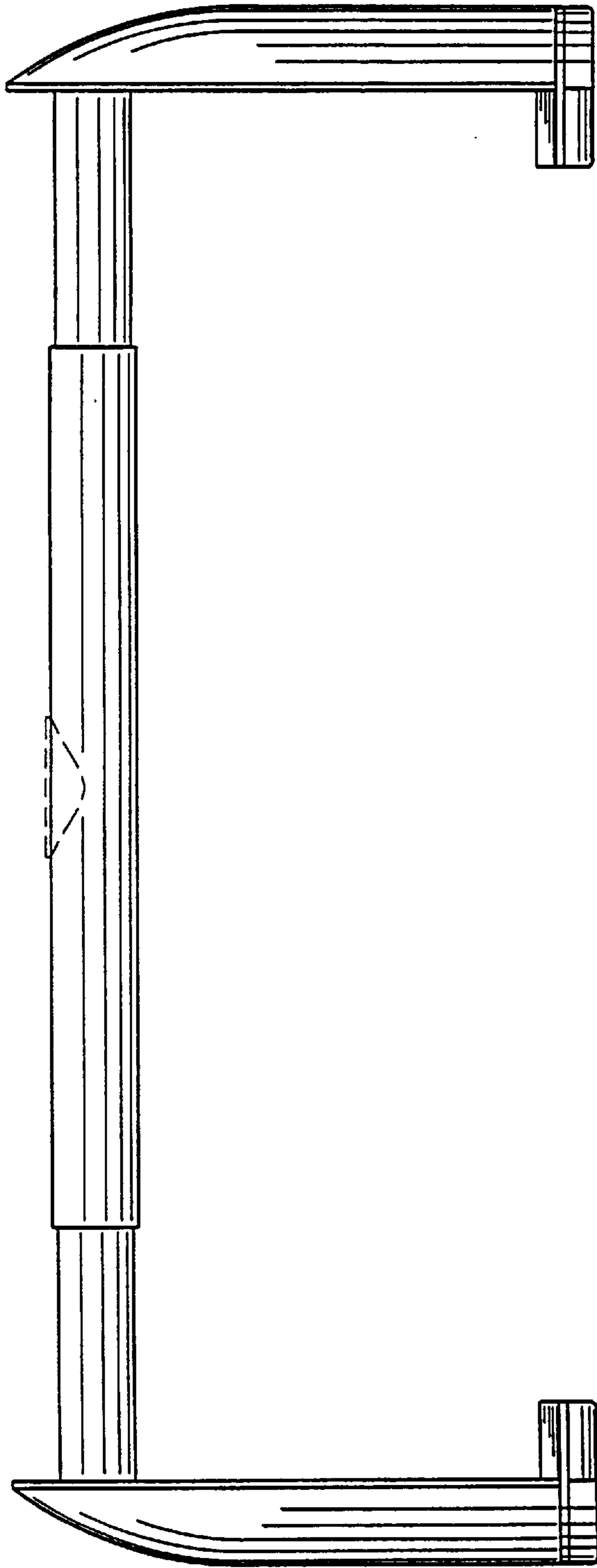


FIG. 2

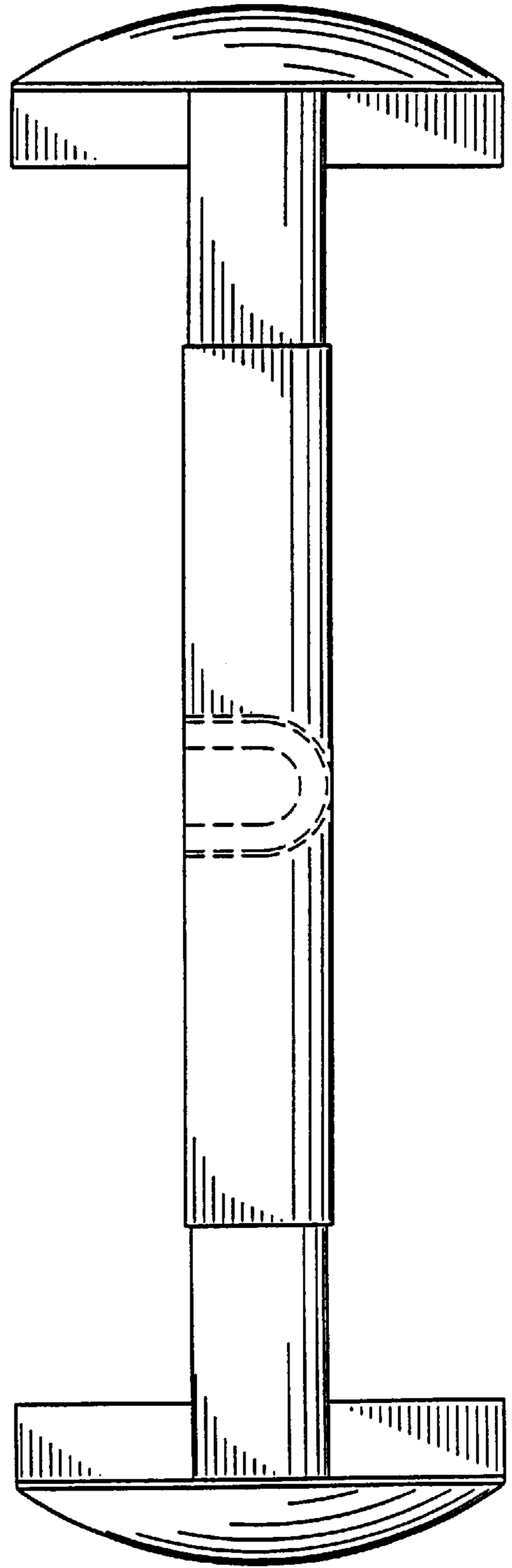


FIG. 3

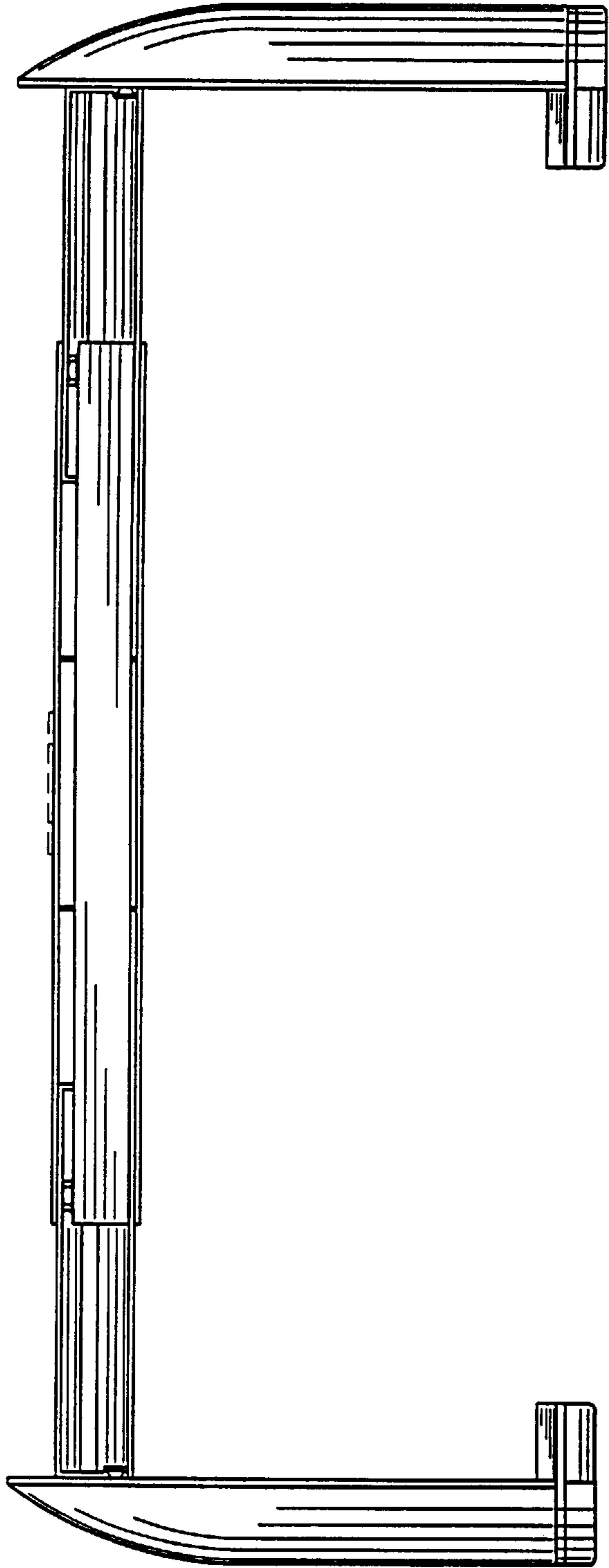


FIG. 4

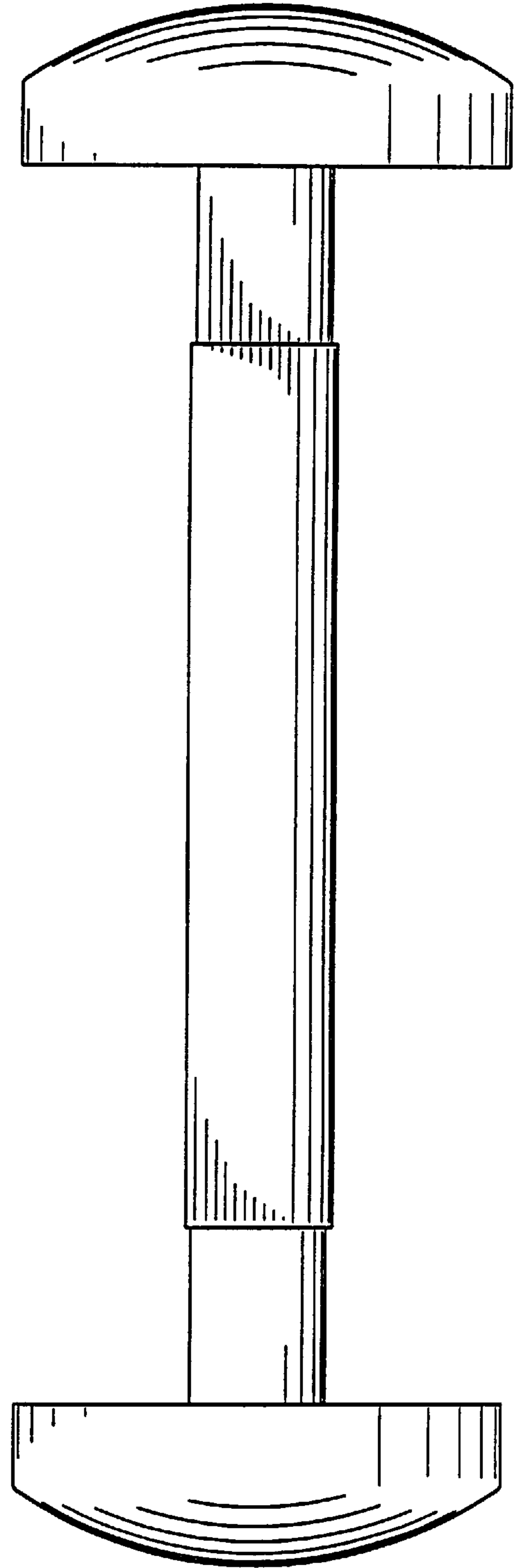


FIG. 5

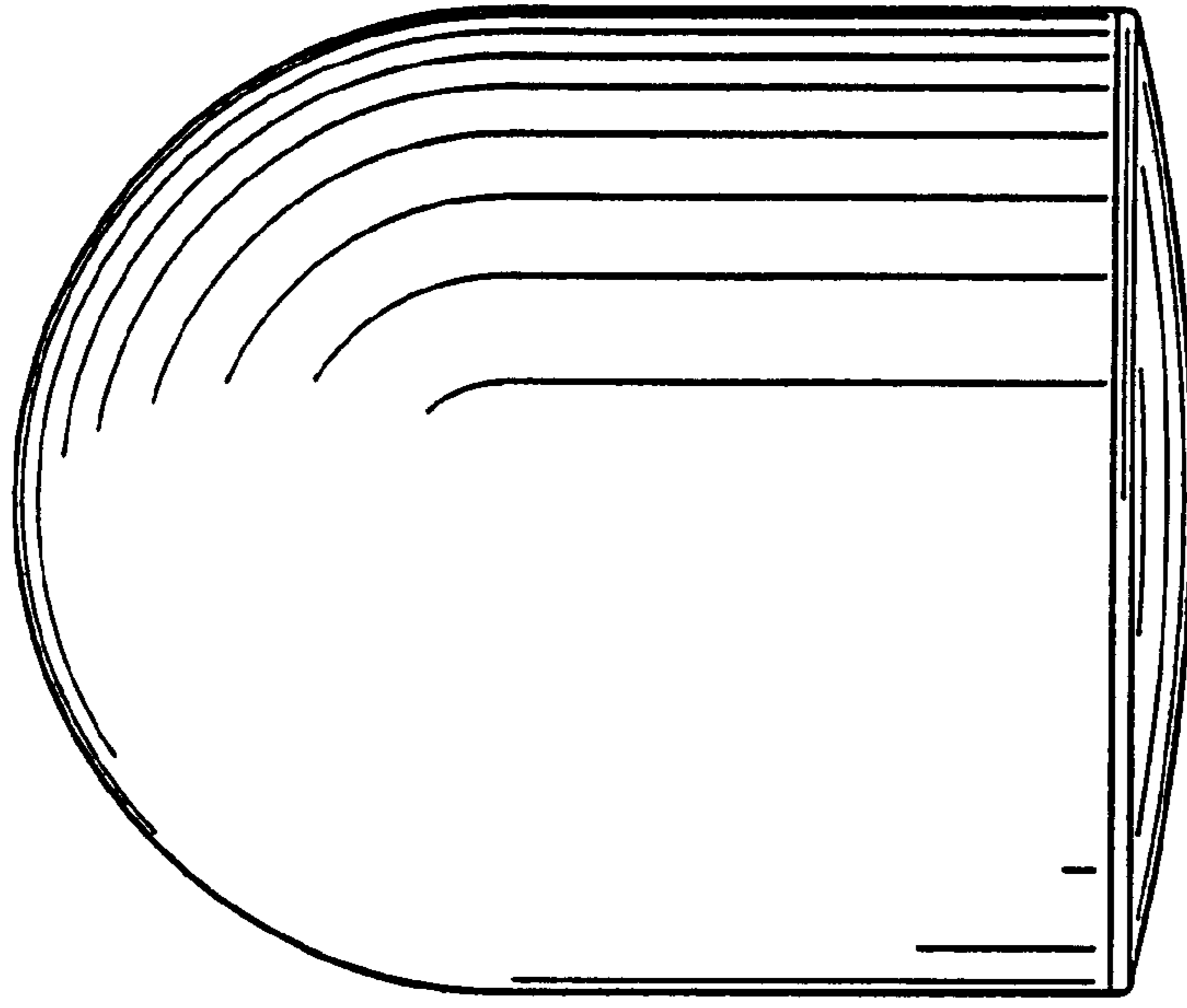


FIG. 6

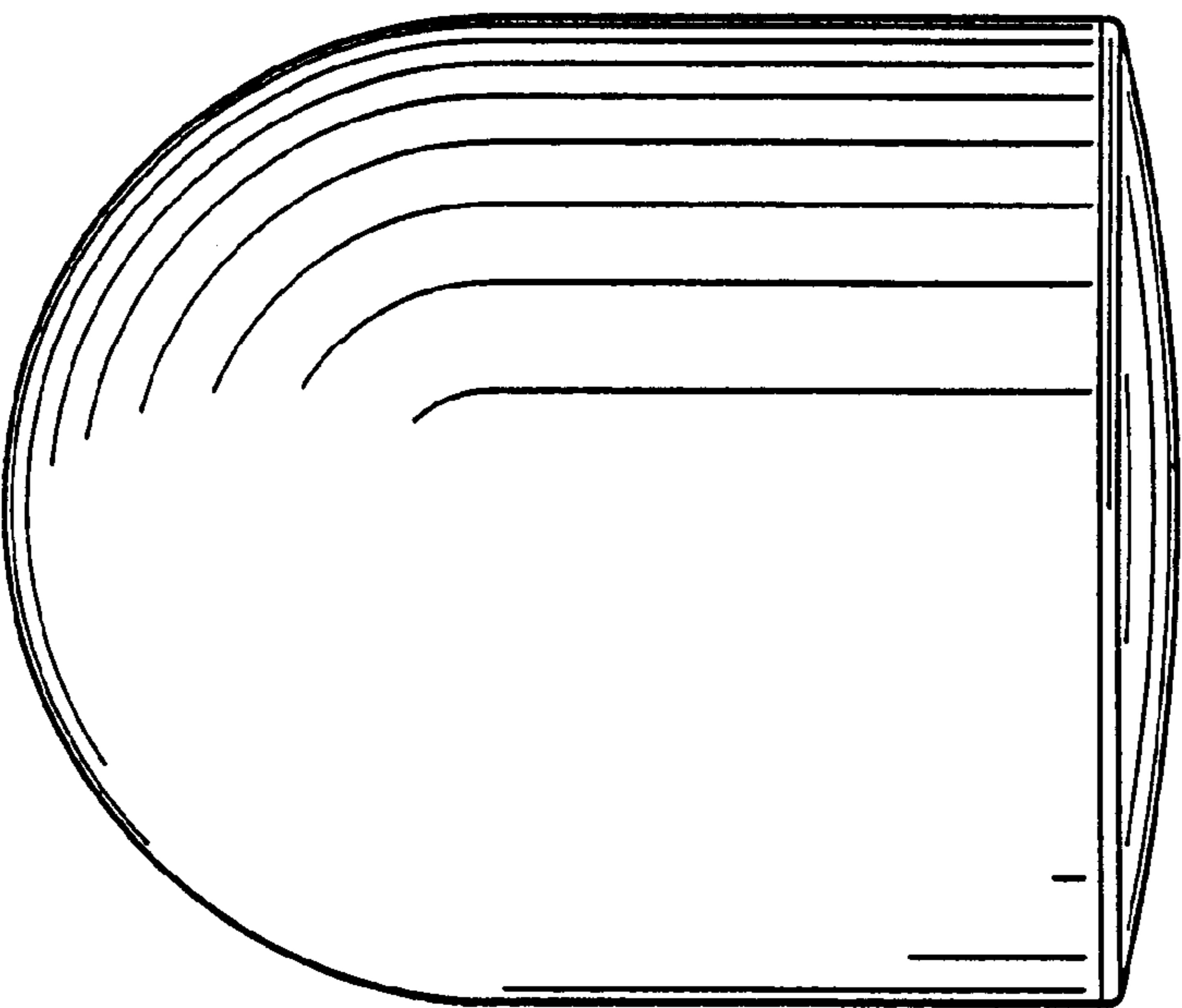


FIG. 7