



US00D439239S

(12) **United States Design Patent**
Ito et al.

(10) **Patent No.:** **US D439,239 S**
(45) **Date of Patent:** **** Mar. 20, 2001**

(54) **SPEAKER BOX**

D. 410,006 * 5/1999 Miyazaki D14/214
4,214,645 * 7/1980 Plourde 181/148

(75) Inventors: **Masafumi Ito; Hiroyuki Watanabe;**
Yukio Ikura, all of Musashino (JP)

OTHER PUBLICATIONS

Sony Catalog Sep. 1998 Japan.

(73) Assignee: **TEAC Corporation**, Tokyo (JP)

* cited by examiner

(**) Term: **14 Years**

Primary Examiner—Nanda Bondade

(21) Appl. No.: **29/125,432**

(74) *Attorney, Agent, or Firm*—Ladas & Parry

(22) Filed: **Jun. 23, 2000**

(57) **CLAIM**

(30) **Foreign Application Priority Data**

The ornamental design for a speaker box, as shown and described.

Dec. 28, 1999 (JP) 11-37235

DESCRIPTION

(51) **LOC (7) Cl.** **14-01**

FIG. 1 is a perspective view of a speaker box showing our new design;

(52) **U.S. Cl.** **D14/215; D14/214**

FIG. 2 is a perspective view thereof in a state that a grille is attached to the speaker box;

(58) **Field of Search** D14/204, 210-216;

FIG. 3 is a front view of FIG. 1;

181/144-148, 150, 198-199; 381/300-302,
307, 357, 386

FIG. 4 is a rear view of FIG. 1;

(56) **References Cited**

FIG. 5 is a top view of FIG. 1;

U.S. PATENT DOCUMENTS

FIG. 6 is a bottom view of FIG. 1; and,

D. 333,467 * 2/1993 Yanamoto D14/214

FIG. 7 is a right side view of FIG. 1, the left side view being a mirror image of the right side.

D. 384,668 * 10/1997 Yoneda D14/214

D. 387,351 * 12/1997 Mackie et al. D14/215

D. 408,819 * 4/1999 Katsumata D14/214

1 Claim, 3 Drawing Sheets

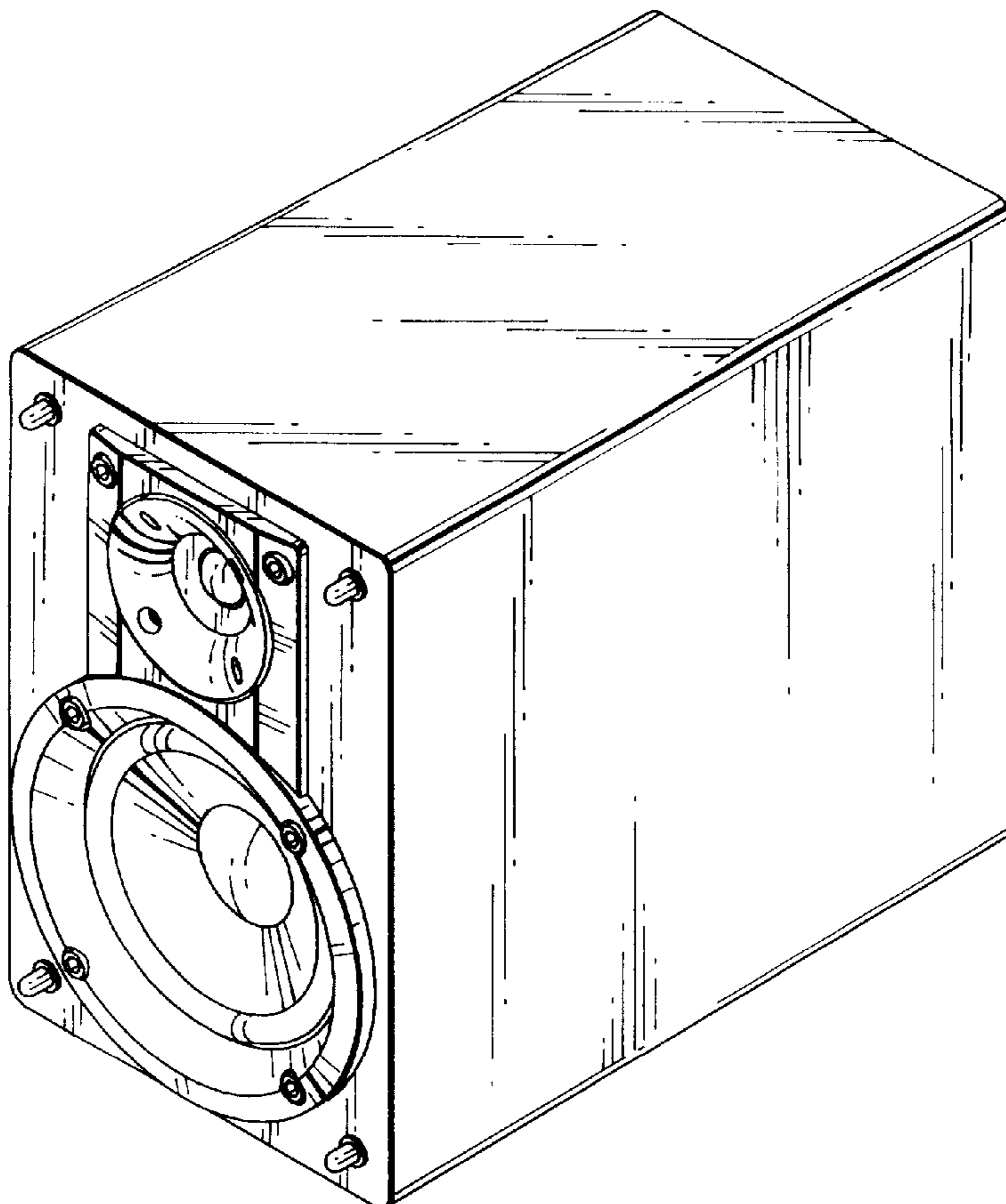


FIG. 1

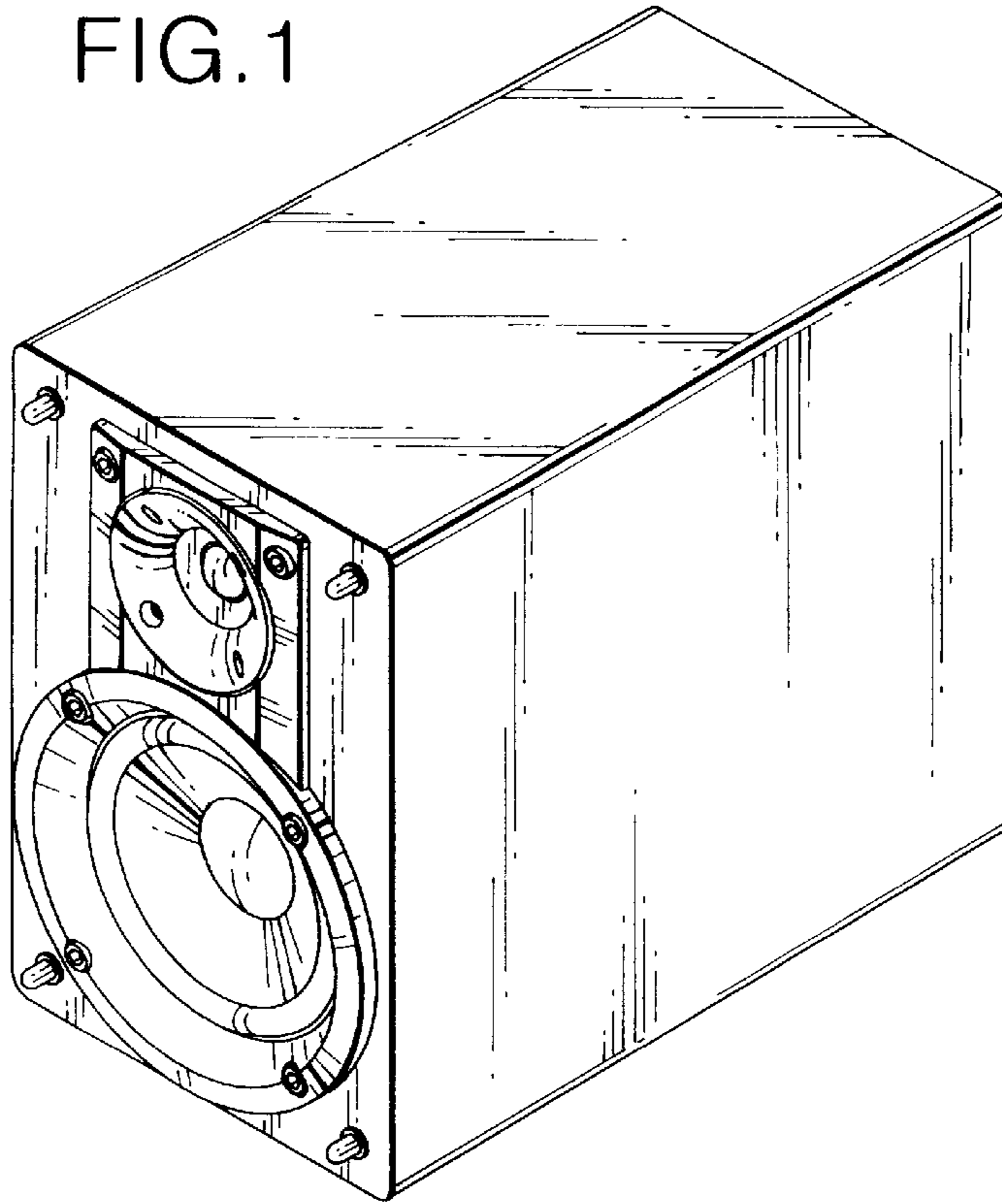


FIG. 2

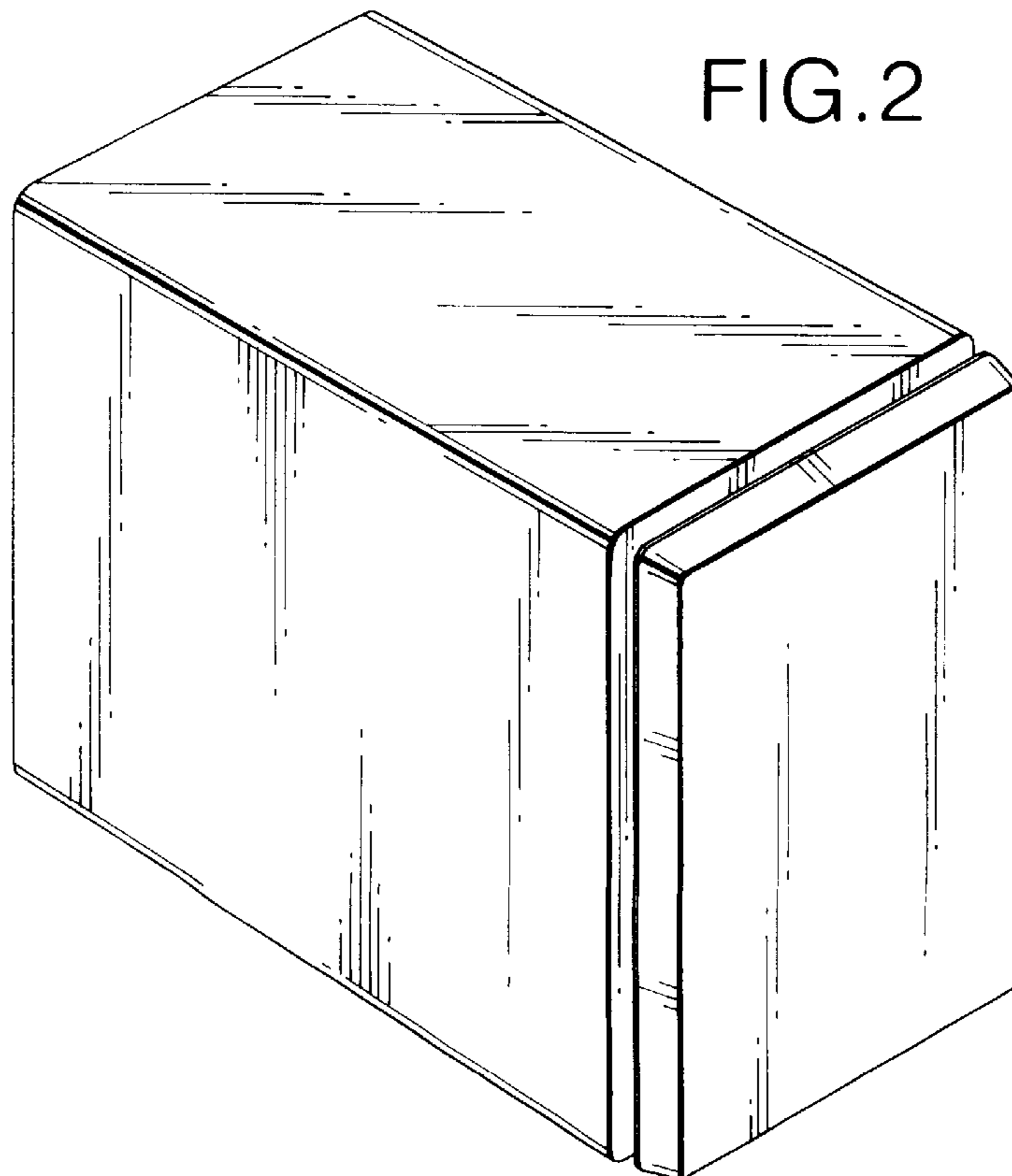


FIG.3

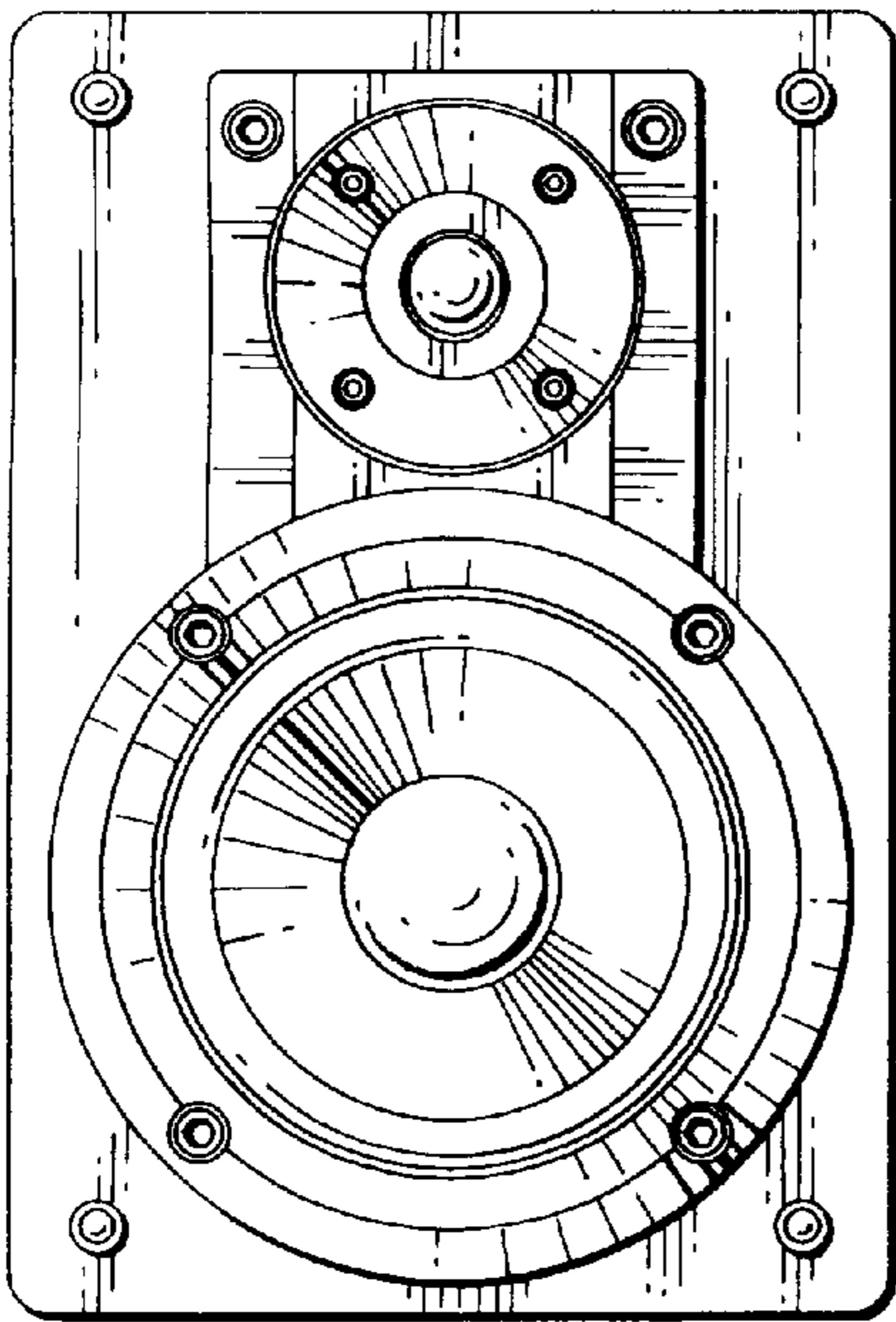


FIG.4

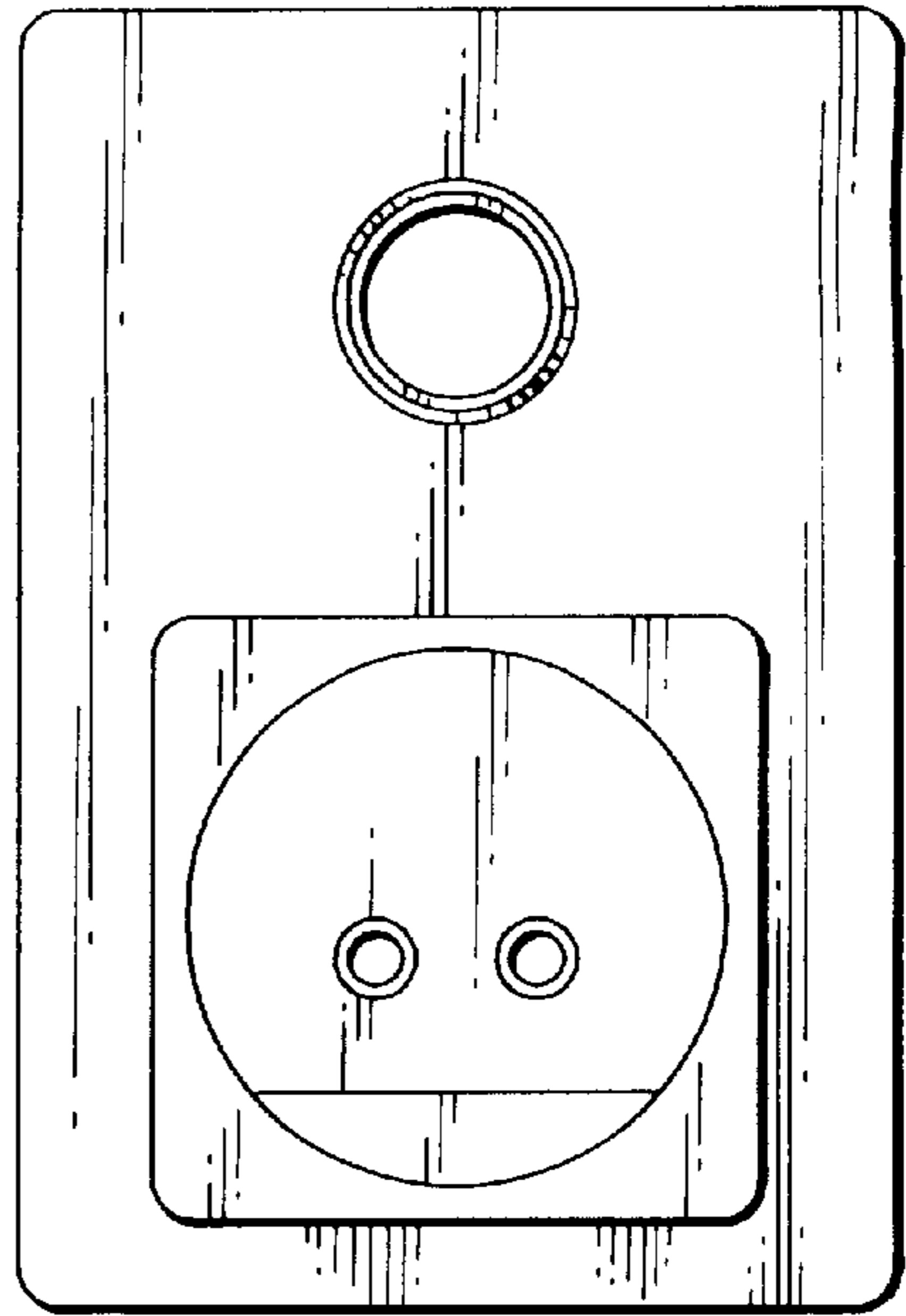


FIG.5

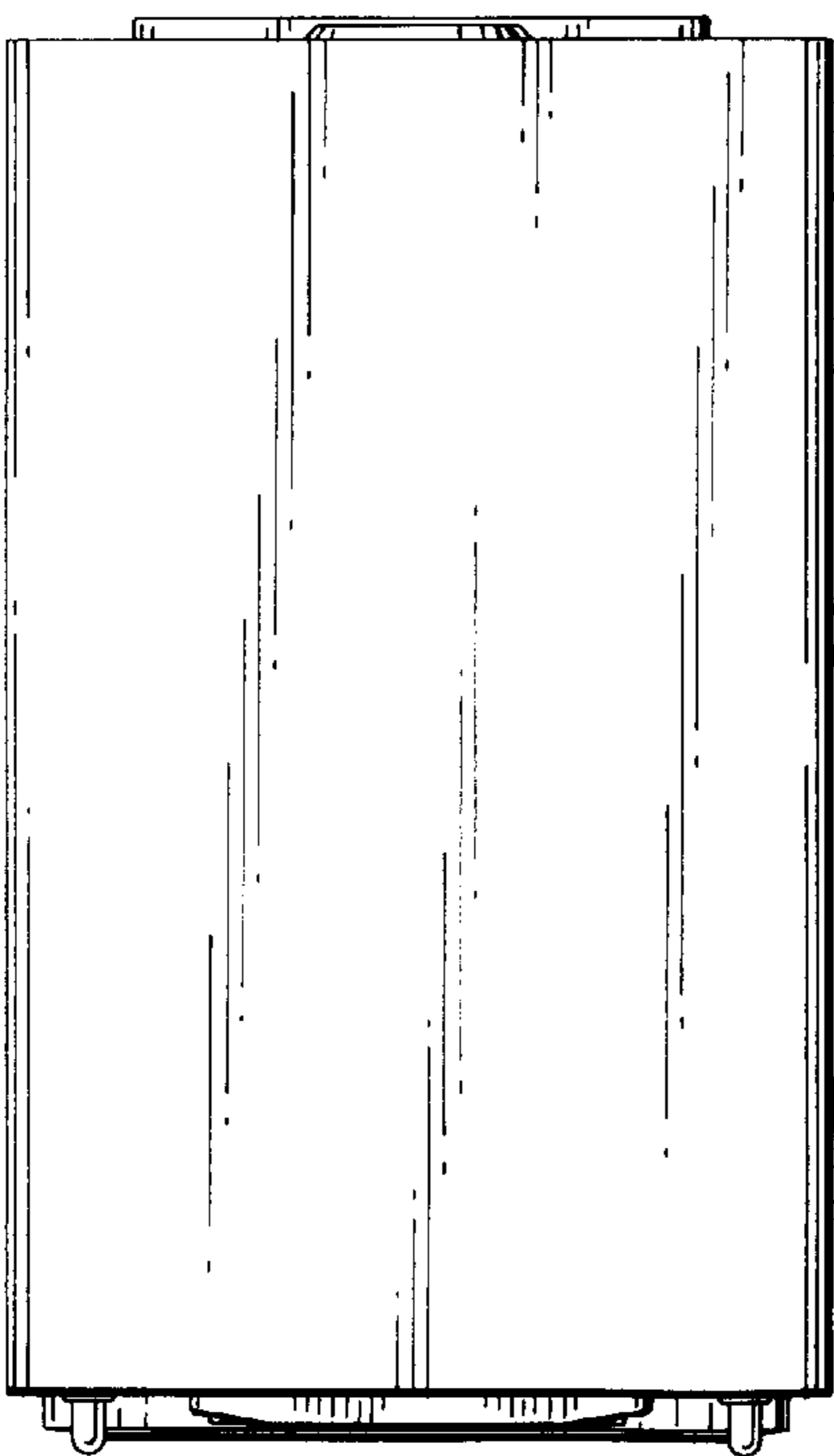


FIG.6

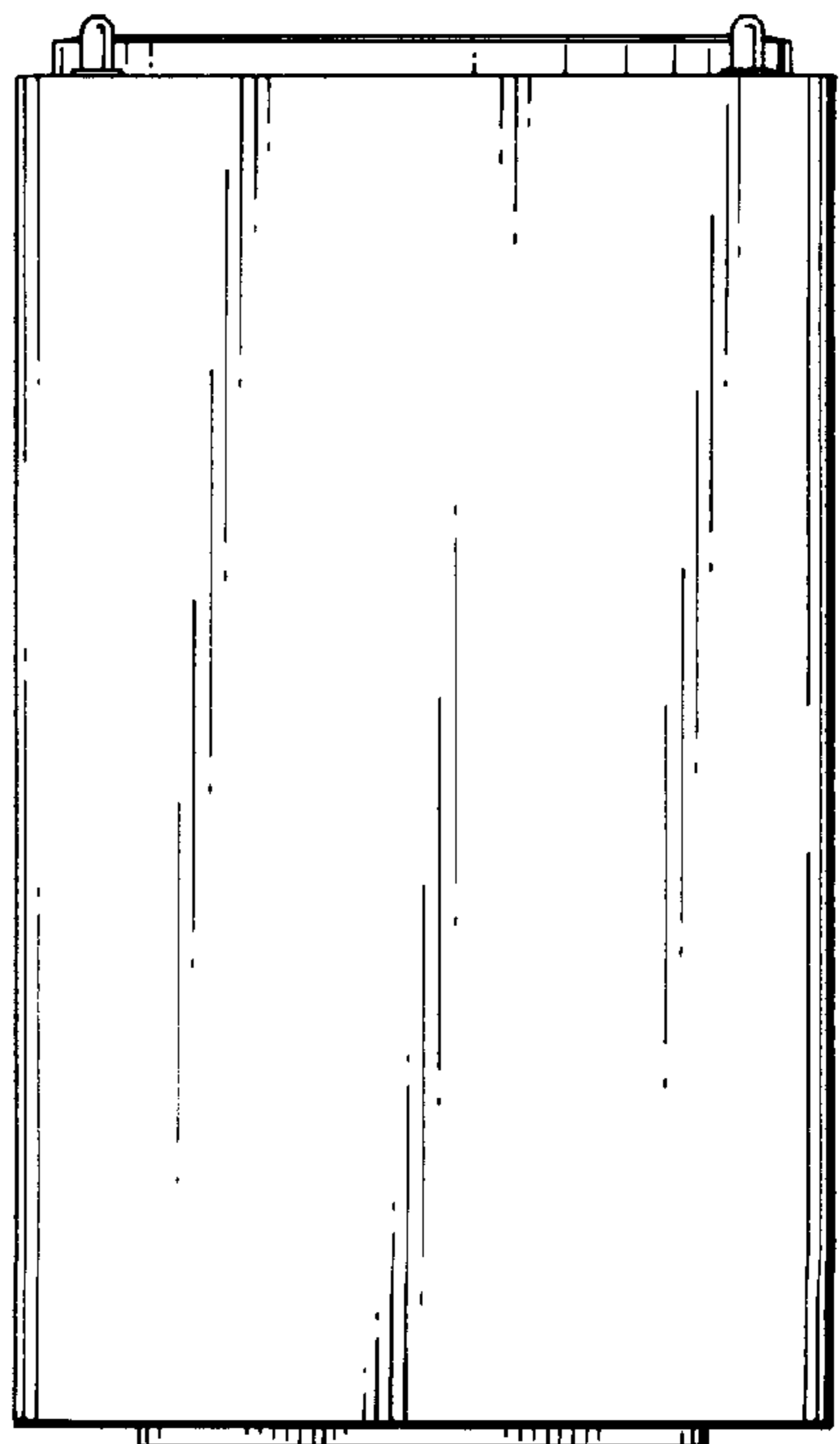


FIG. 7

