



US00D439236S

(12) **United States Design Patent**  
Ito et al.

(10) **Patent No.:** **US D439,236 S**  
(45) **Date of Patent:** **\*\* Mar. 20, 2001**

(54) **COMBINED DIGITAL AUDIO DISC PLAYER AND TAPE RECORDER**

(75) Inventors: **Masafumi Ito; Minoru Sube; Hiroyuki Watanabe; Yukio Iikura**, all of Musashino (JP)

(73) Assignee: **TEAC Corporation**, Tokyo (JP)

(\*\*) Term: **14 Years**

(21) Appl. No.: **29/125,119**

(22) Filed: **Jun. 19, 2000**

(30) **Foreign Application Priority Data**

Dec. 22, 1999 (JP) ..... 11-35593

(51) **LOC (7) Cl.** ..... **14-01**

(52) **U.S. Cl.** ..... **D14/168**

(58) **Field of Search** ..... D14/135, 136, D14/156, 157, 160-162, 164, 168, 188, 197-198, 260, 265; 369/75.1, 75.2, 77.1, 77.2; 455/344, 347, 350-351

(56) **References Cited**

**U.S. PATENT DOCUMENTS**

D. 289,947 \* 5/1987 Katou et al. .... D14/156

D. 321,192 \* 10/1991 Ito et al. .... D14/156 X  
D. 328,747 \* 8/1992 Ito et al. .... D14/188  
D. 345,359 \* 3/1994 Yamane ..... D14/157  
D. 375,956 \* 11/1996 Shintani ..... D14/197  
D. 394,260 5/1998 Ito et al. .  
5,177,730 \* 1/1993 Utsugi ..... 369/77.1

\* cited by examiner

*Primary Examiner*—Nanda Bondade

(74) *Attorney, Agent, or Firm*—Ladas & Parry

(57) **CLAIM**

The ornamental design for a combined digital audio disc player and tape recorder, as shown and described.

**DESCRIPTION**

FIG. 1 is a perspective view of a combined digital audio disc player and tape recorder showing our new design;  
FIG. 2 is a front view thereof;  
FIG. 3 is a rear view thereof;  
FIG. 4 is a right side view thereof;  
FIG. 5 is a left side view thereof;  
FIG. 6 is a top view thereof; and,  
FIG. 7 is a bottom view thereof.

**1 Claim, 3 Drawing Sheets**

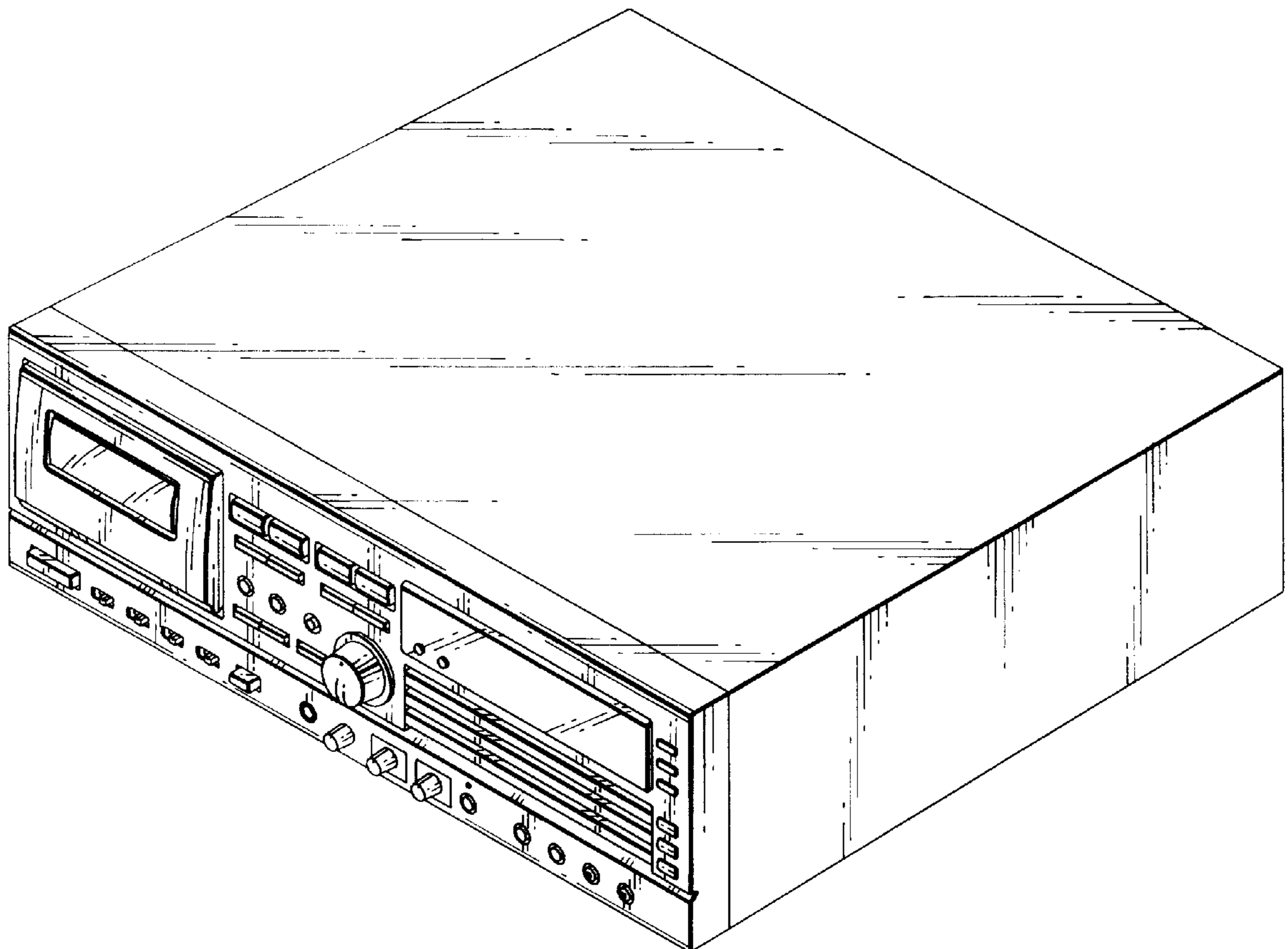


FIG. 1

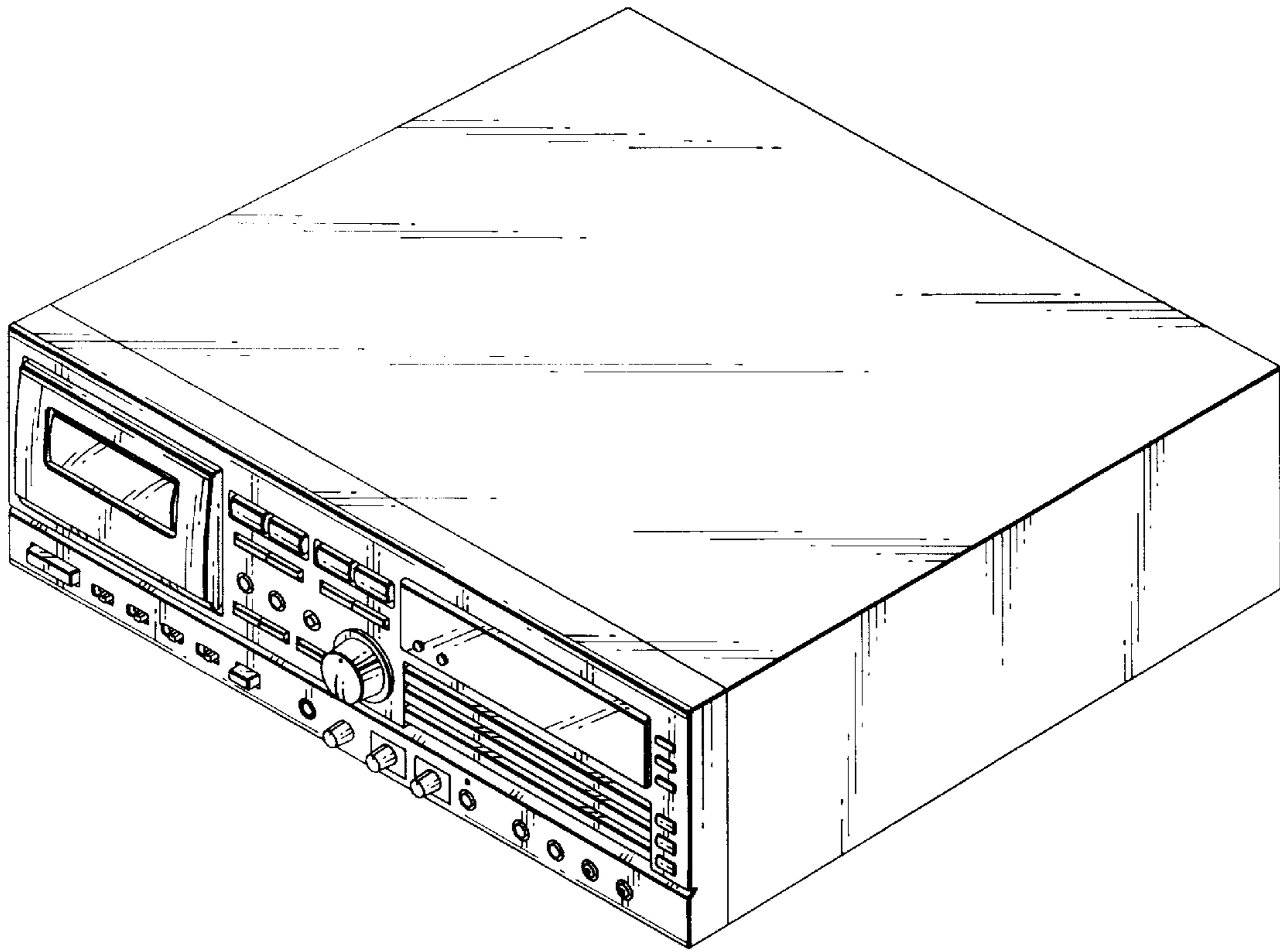


FIG. 2

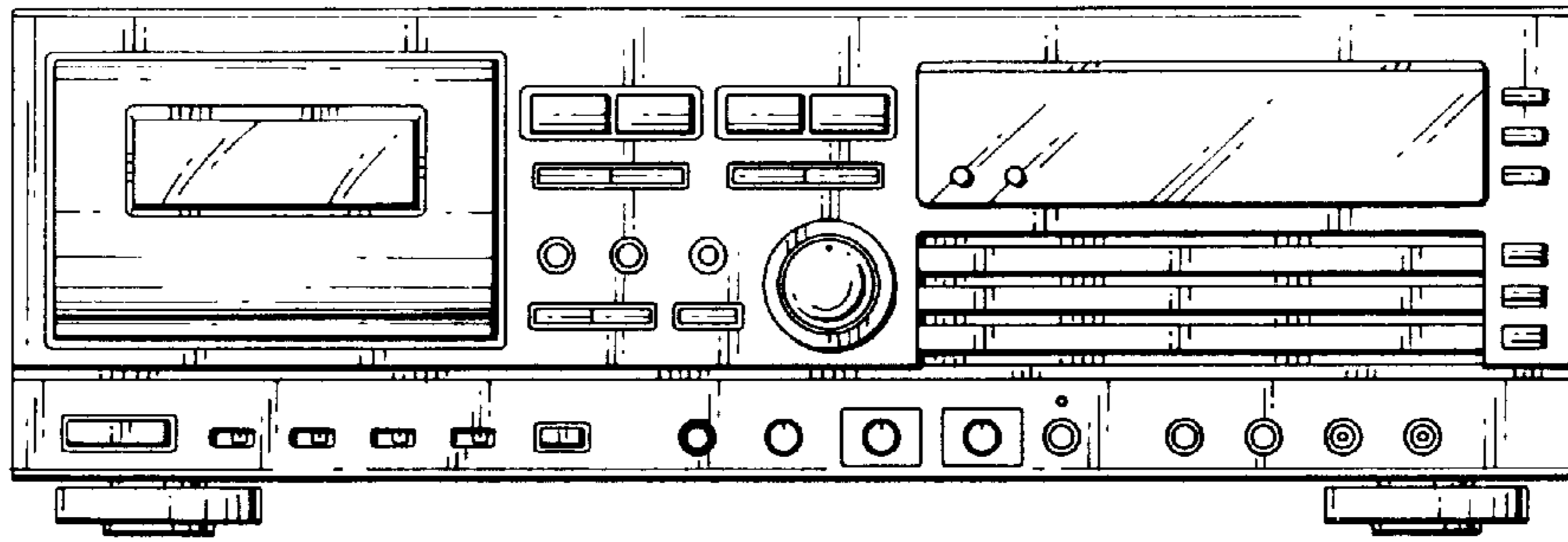


FIG. 3

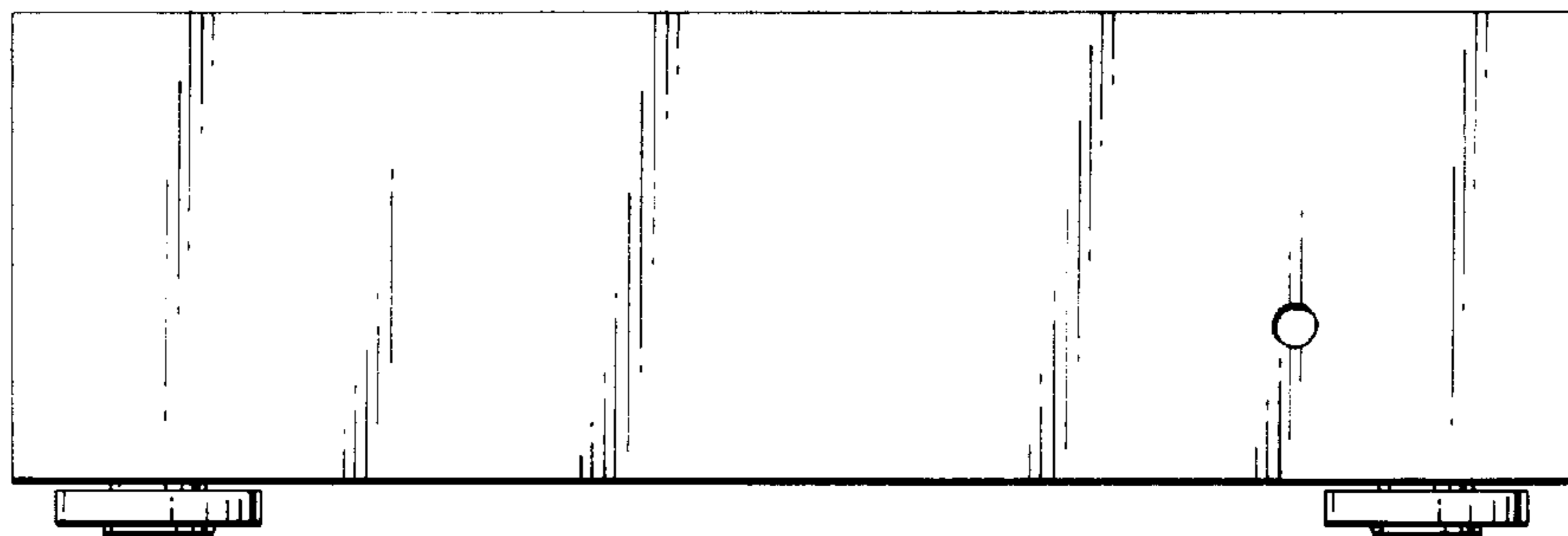


FIG. 4

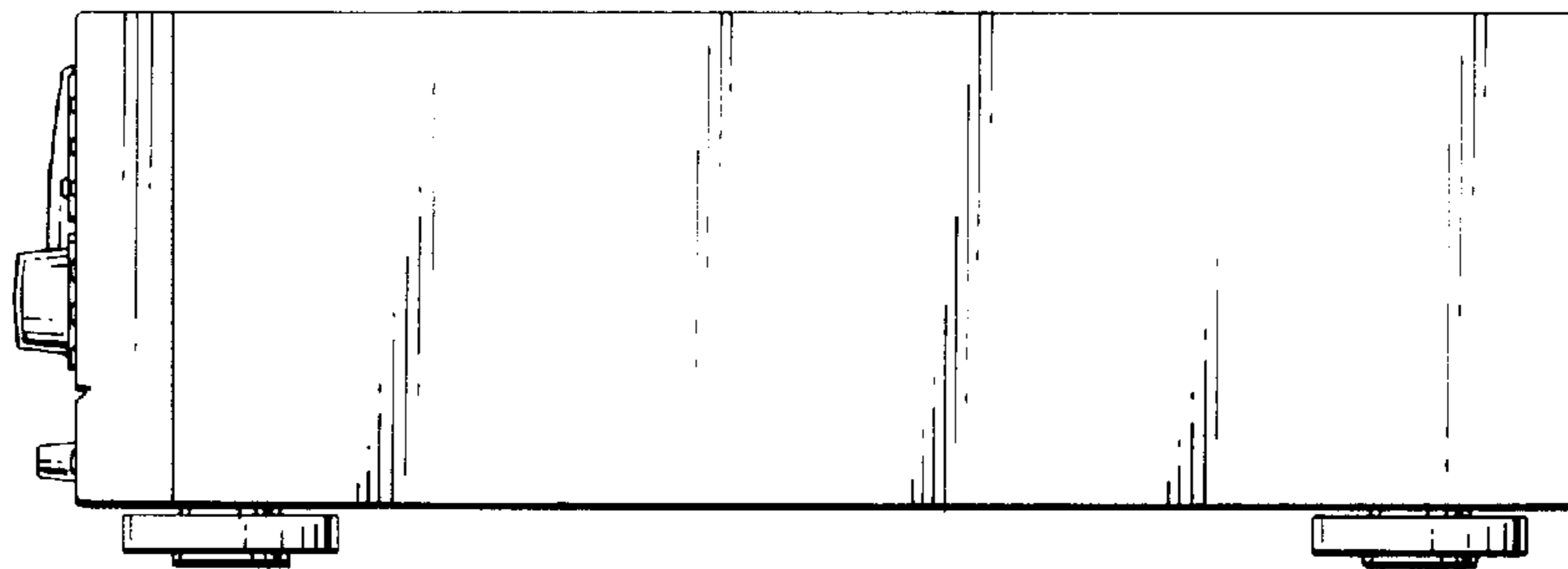


FIG. 5

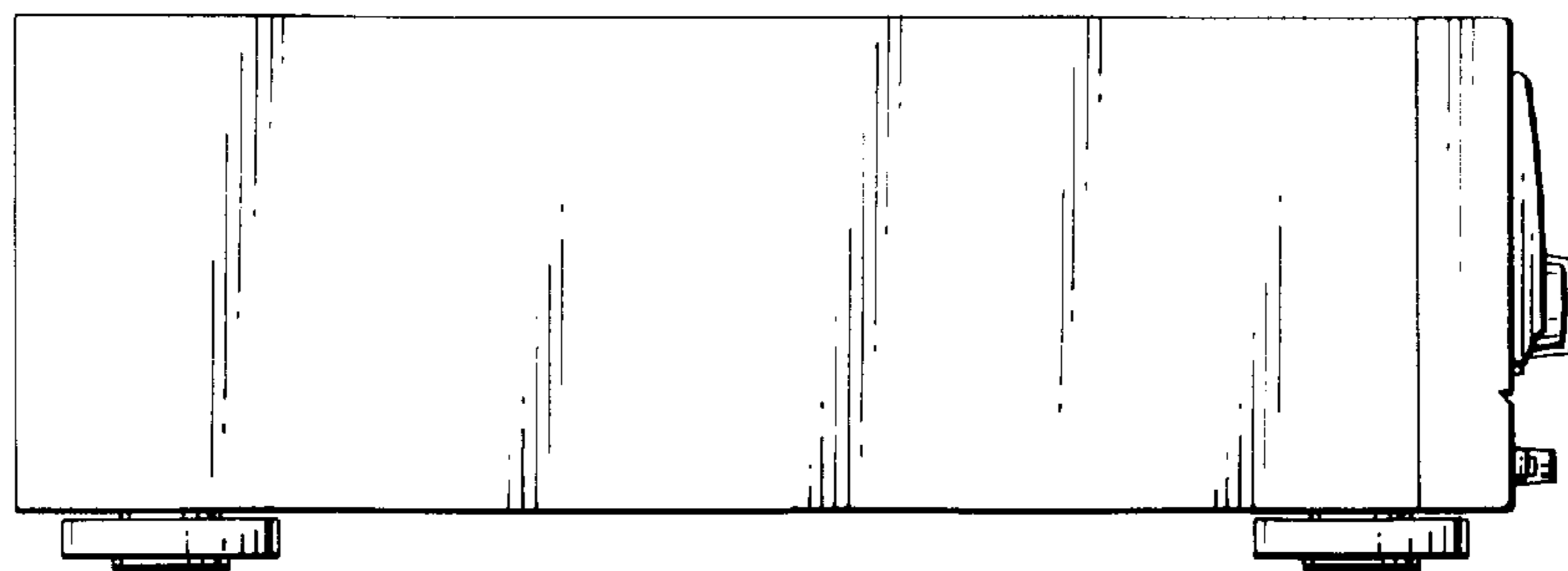


FIG. 6

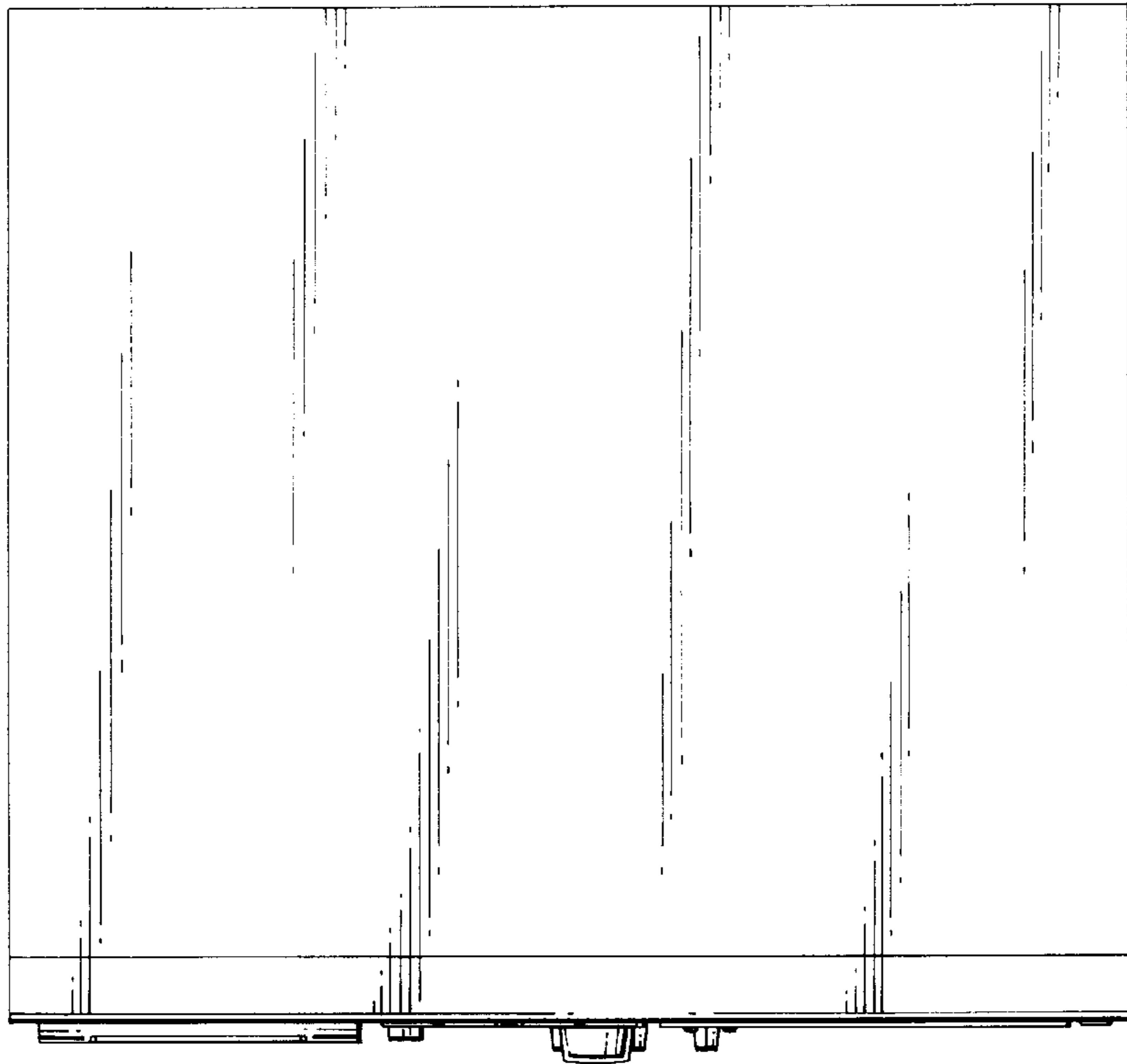


FIG. 7

