



US00D439235S

(12) **United States Design Patent**  
**Yamashita**

(10) **Patent No.:** **US D439,235 S**

(45) **Date of Patent:** **\*\* Mar. 20, 2001**

(54) **DISC PLAYER**

(75) **Inventor:** **Norio Yamashita, Musashino (JP)**

(73) **Assignee:** **TEAC Corporation, Tokyo (JP)**

(\*\*) **Term:** **14 Years**

(21) **Appl. No.:** **29/120,649**

(22) **Filed:** **Mar. 23, 2000**

(30) **Foreign Application Priority Data**

Sep. 24, 1999 (JP) ..... 11-25844

(51) **LOC (7) Cl.** ..... **14-01**

(52) **U.S. Cl.** ..... **D14/156**

(58) **Field of Search** ..... D14/135, 136,  
D14/156, 160-162, 167, 168, 188, 356,  
361, 363, 366; 369/75.1, 75.2, 77.1, 77.2

(56) **References Cited**

**U.S. PATENT DOCUMENTS**

D. 241,448 \* 9/1976 Clowe ..... D14/361

D. 357,236 \* 4/1995 Acciaioli et al. .... D14/361

D. 375,742 \* 11/1996 Weissberg et al. .... D14/188

D. 393,836 \* 4/1998 Hisatsune et al. .... D14/356

D. 404,396 \* 1/1999 Mackie et al. .... D14/188

\* cited by examiner

*Primary Examiner*—Nanda Bondade

(74) *Attorney, Agent, or Firm*—Ladas & Parry

(57) **CLAIM**

The ornamental design for a disc player, as shown and described.

**DESCRIPTION**

FIG. 1 is a perspective view of a disc player showing my new design;

FIG. 2 is a front view thereof;

FIG. 3 is a rear view thereof;

FIG. 4 is a top view thereof;

FIG. 5 is a bottom view thereof;

FIG. 6 is a right side view thereof; and,

FIG. 7 is a left side view thereof.

**1 Claim, 4 Drawing Sheets**

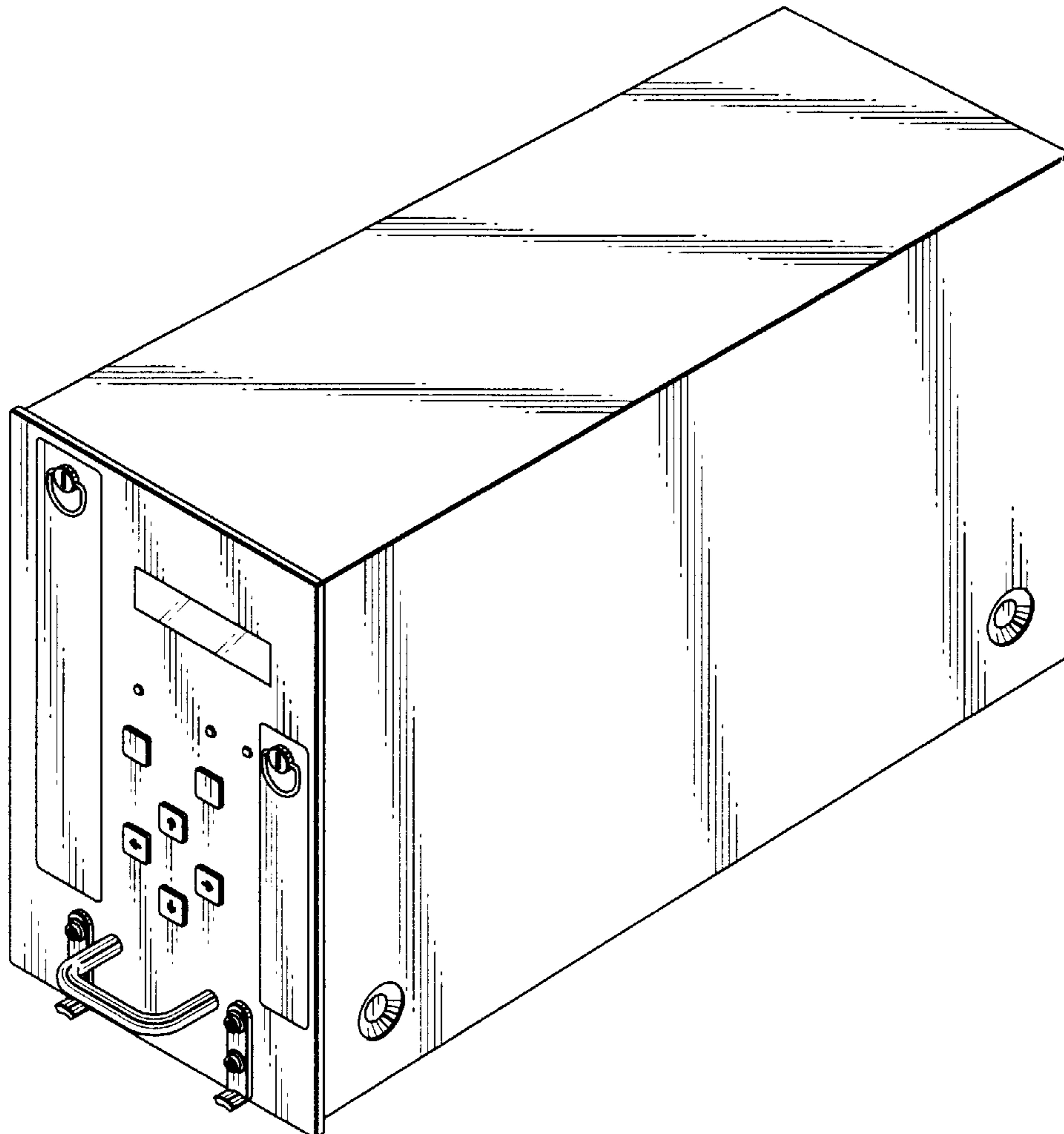


FIG. 1

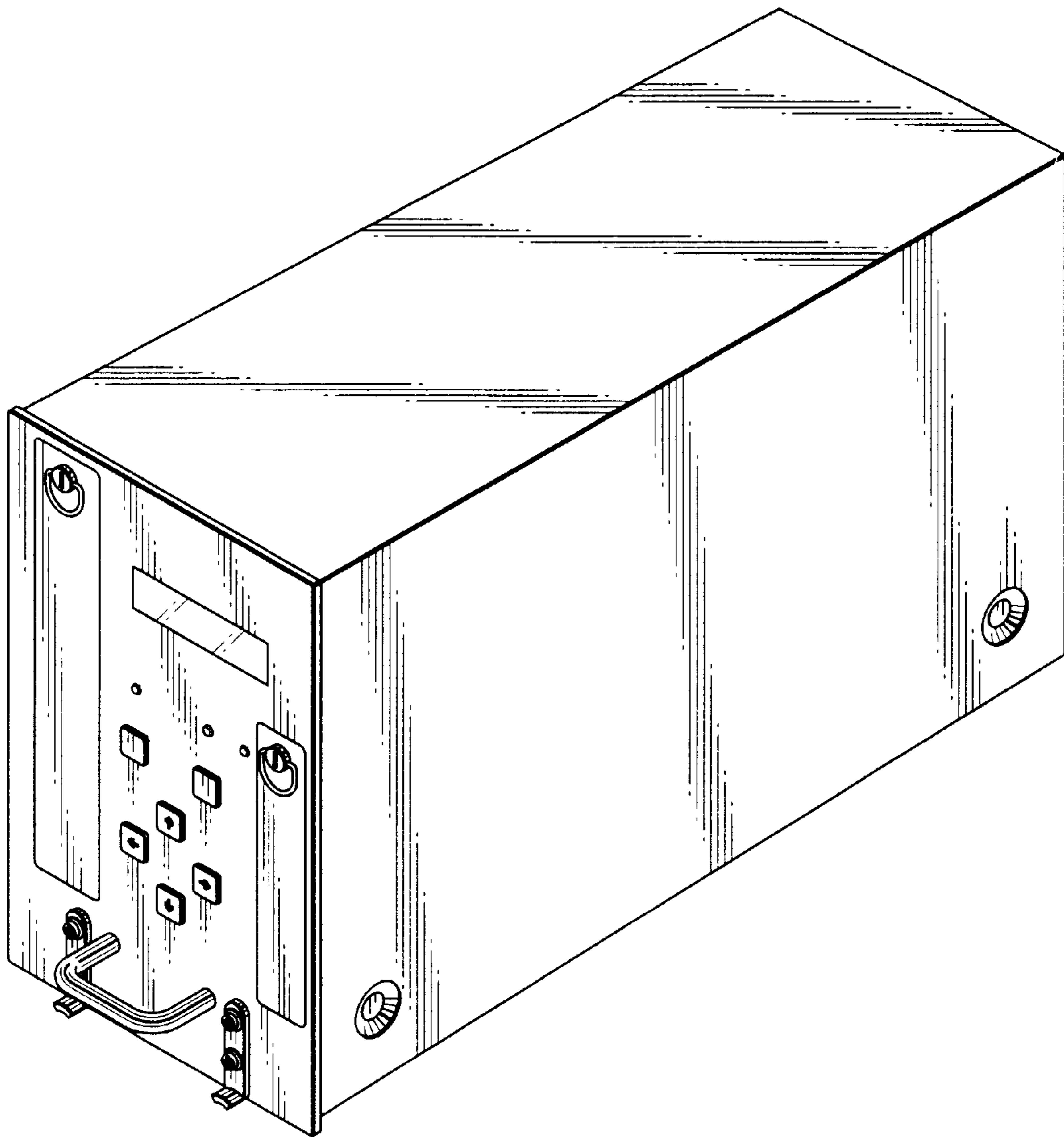


FIG.2

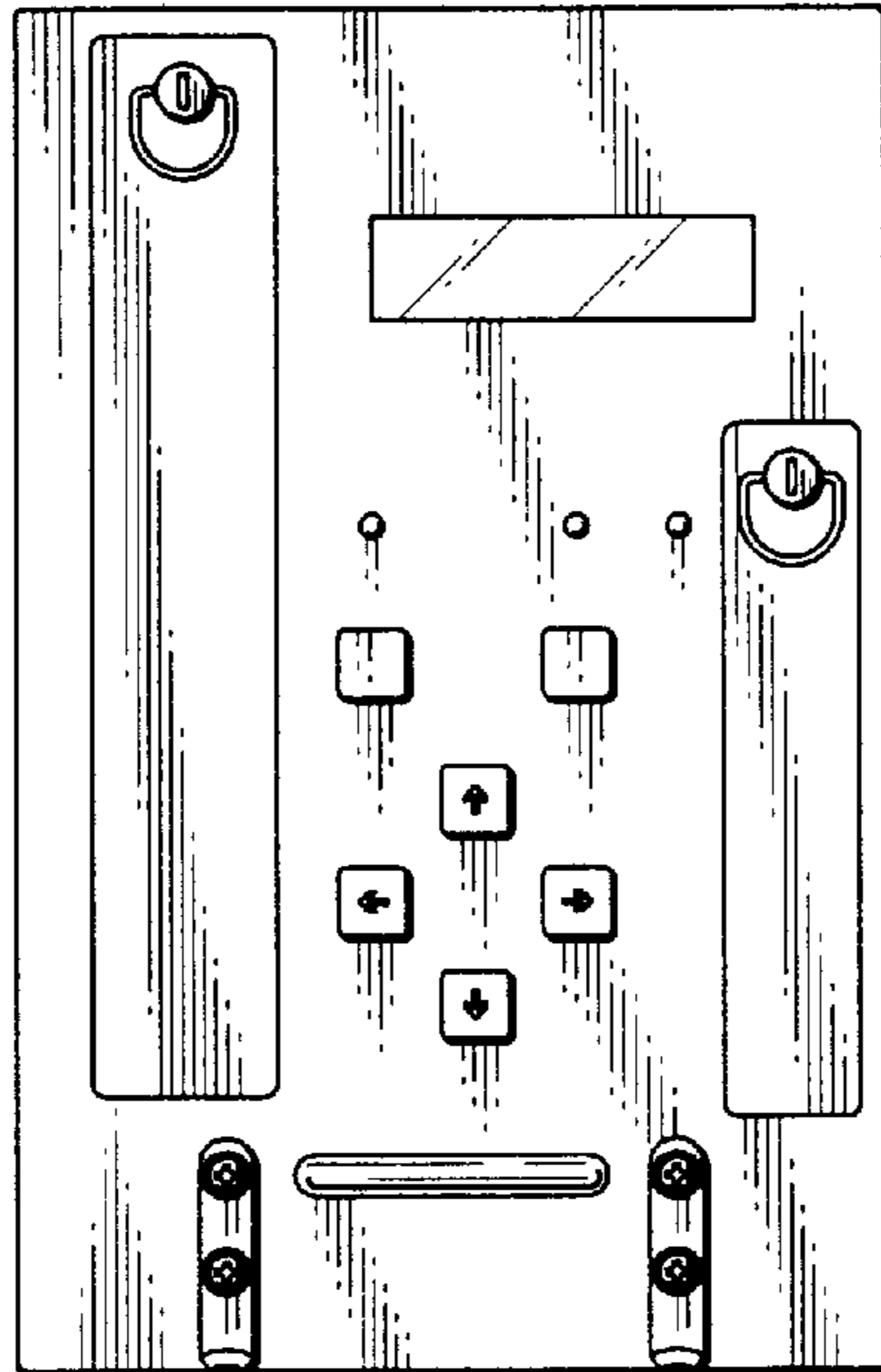


FIG.3

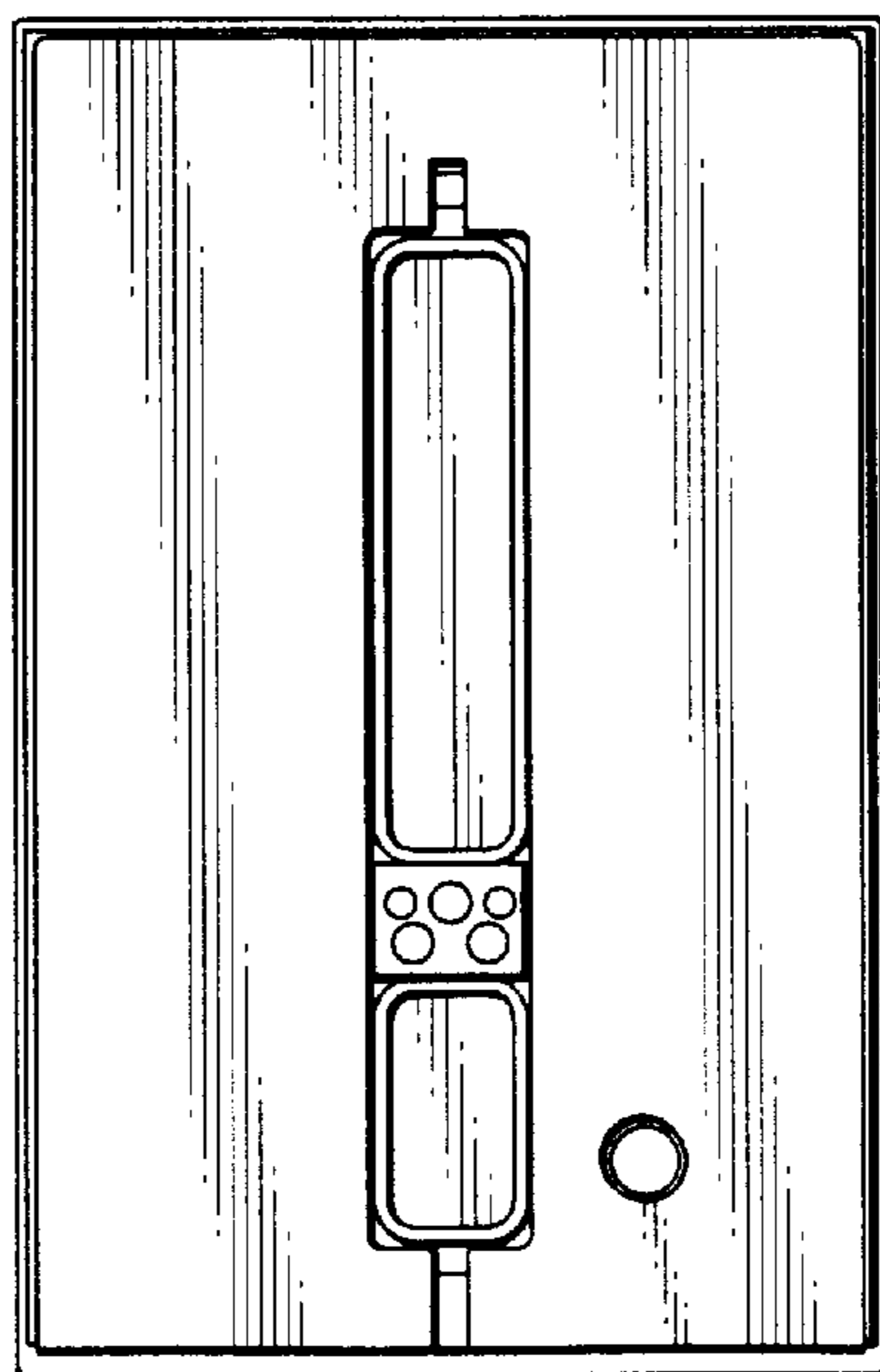


FIG. 4

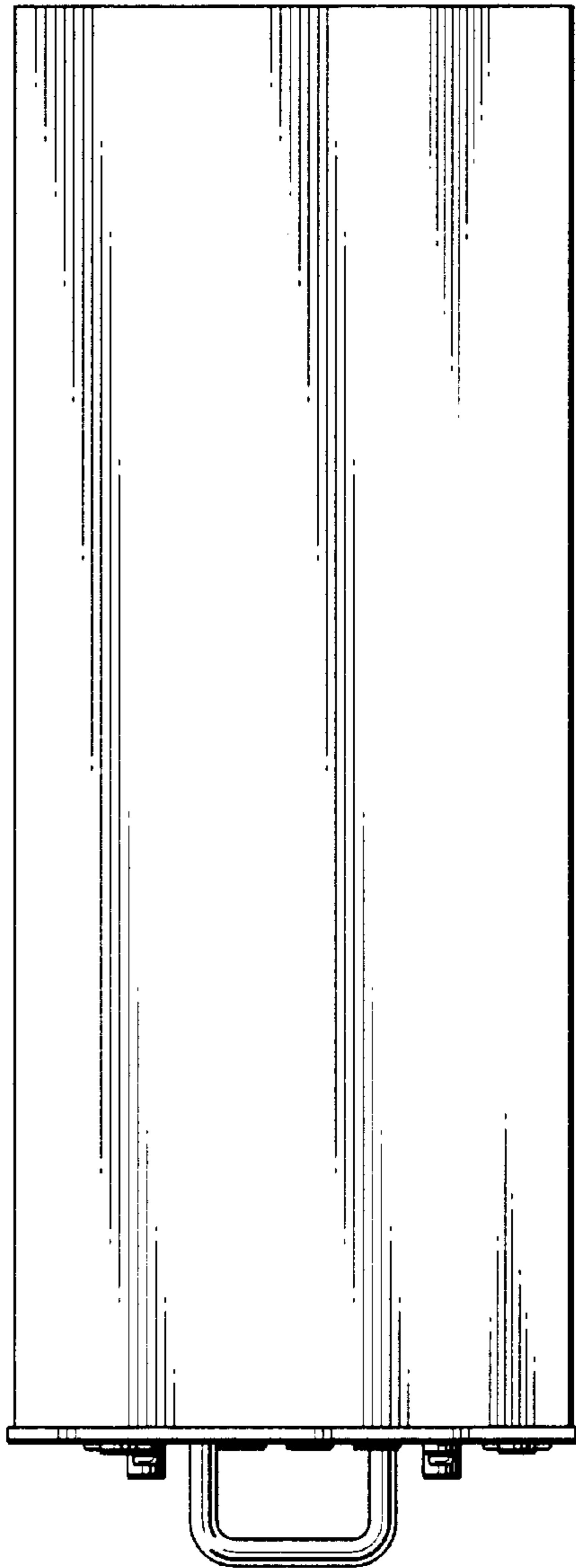


FIG. 5

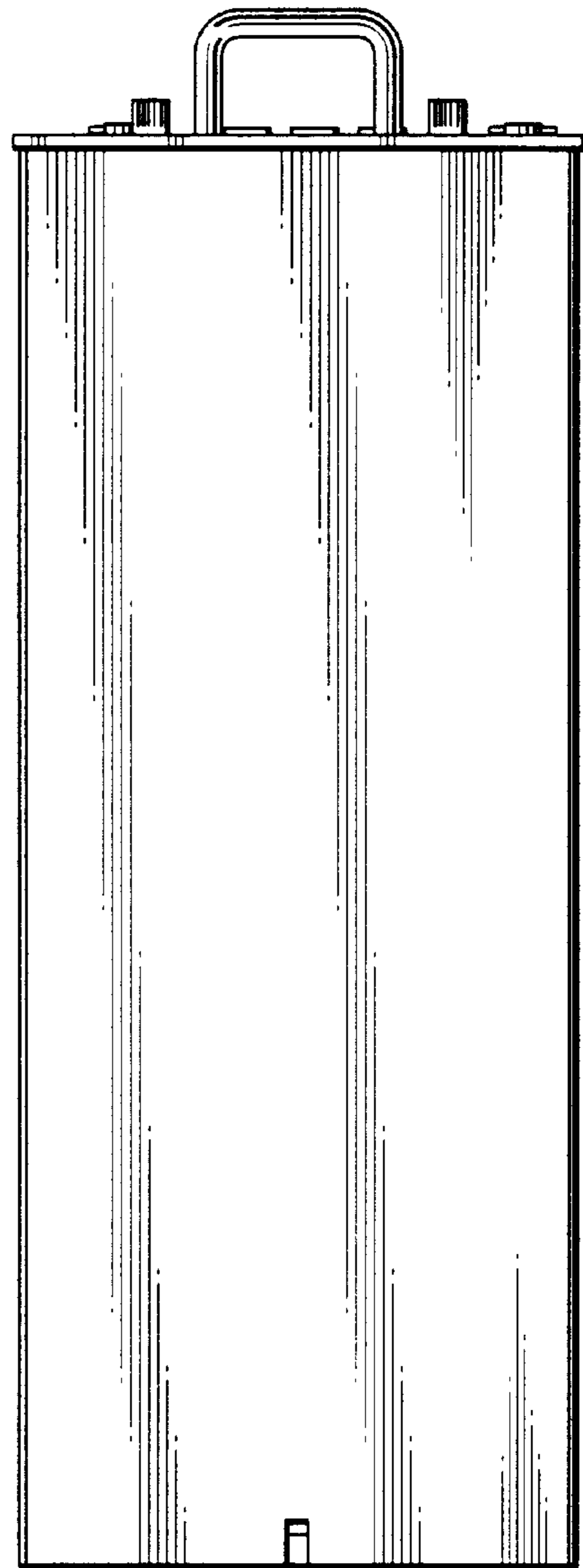


FIG.6

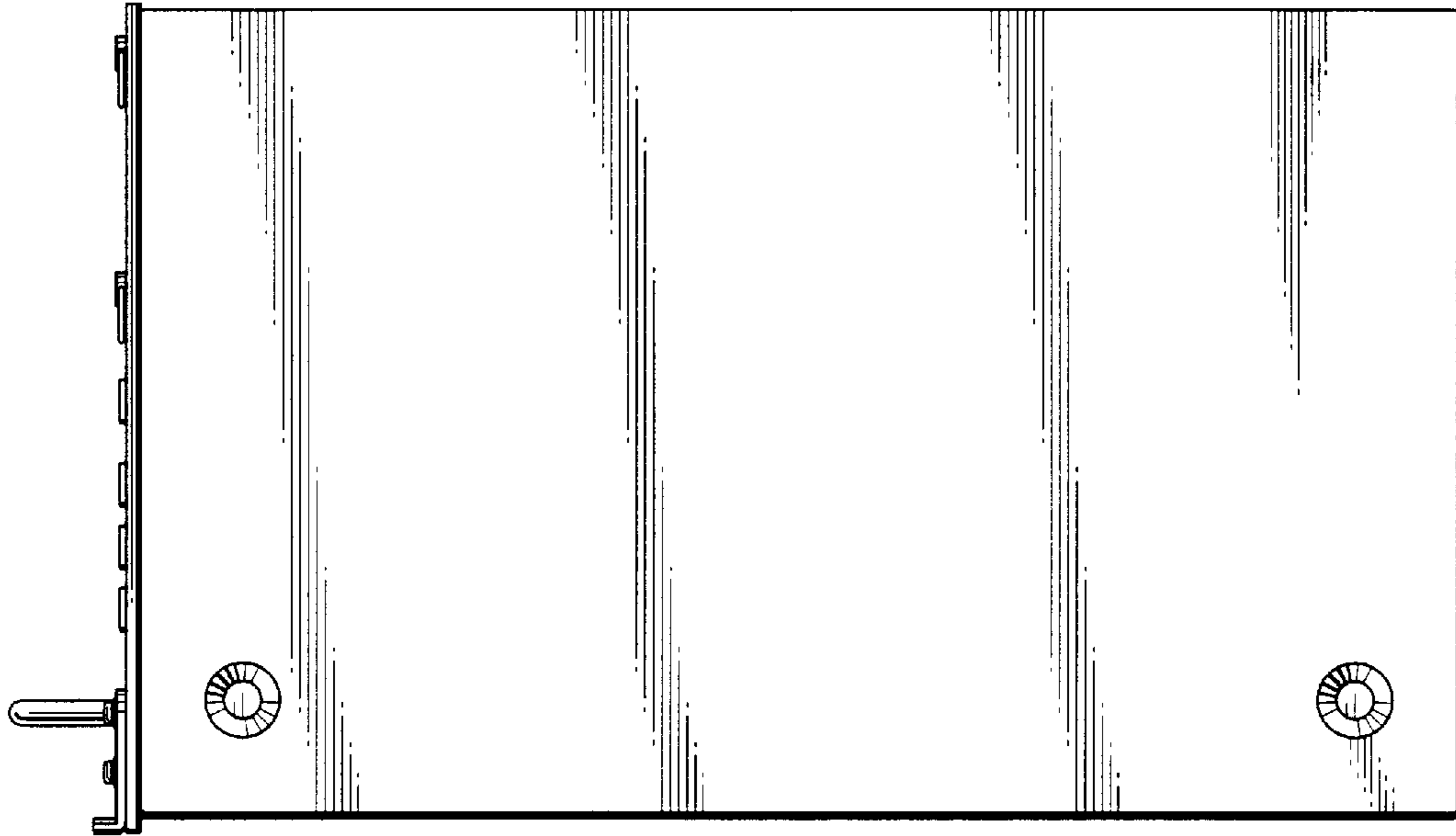


FIG.7

