



US00D439228S

(12) **United States Design Patent**
Tsuge

(10) **Patent No.:** **US D439,228 S**

(45) **Date of Patent:** **** Mar. 20, 2001**

(54) **DISC PLAYER**

(75) Inventor: **Takahiro Tsuge**, Tokyo (JP)

(73) Assignee: **Sony Corporation**, Tokyo (JP)

(**) Term: **14 Years**

(21) Appl. No.: **29/117,478**

(22) Filed: **Jan. 28, 2000**

(51) **LOC (7) Cl.** **14-01**

(52) **U.S. Cl.** **D14/136**

(58) **Field of Search** D14/496, 125,
D14/135, 136, 156, 157, 160-165, 168,
188, 239, 257, 258, 265; 369/75.1, 75.2,
77.1, 77.2; 455/344-348, 351

(56) **References Cited**

U.S. PATENT DOCUMENTS

- D. 289,947 * 5/1987 Katou et al. D14/156
- D. 314,198 * 1/1991 Ito et al. D14/156
- D. 381,652 * 7/1997 Suzuki et al. D14/136
- D. 383,461 * 9/1997 Ito et al. D14/188

- D. 387,755 * 12/1997 Shintani D14/135
- D. 414,769 * 10/1999 Shintani et al. D14/188
- D. 416,898 * 11/1999 Takahashi D14/160
- D. 419,989 * 2/2000 Uchiyama et al. D14/135

* cited by examiner

Primary Examiner—Catherine Tuttle

(74) *Attorney, Agent, or Firm*—Rader, Fishman & Grauer

(57) **CLAIM**

The ornamental design for a disc player, as shown and described.

DESCRIPTION

FIG. 1 is a top and front perspective view of a disc player showing my design;

FIG. 2 is a top plan view thereof;

FIG. 3 is a bottom plan view thereof;

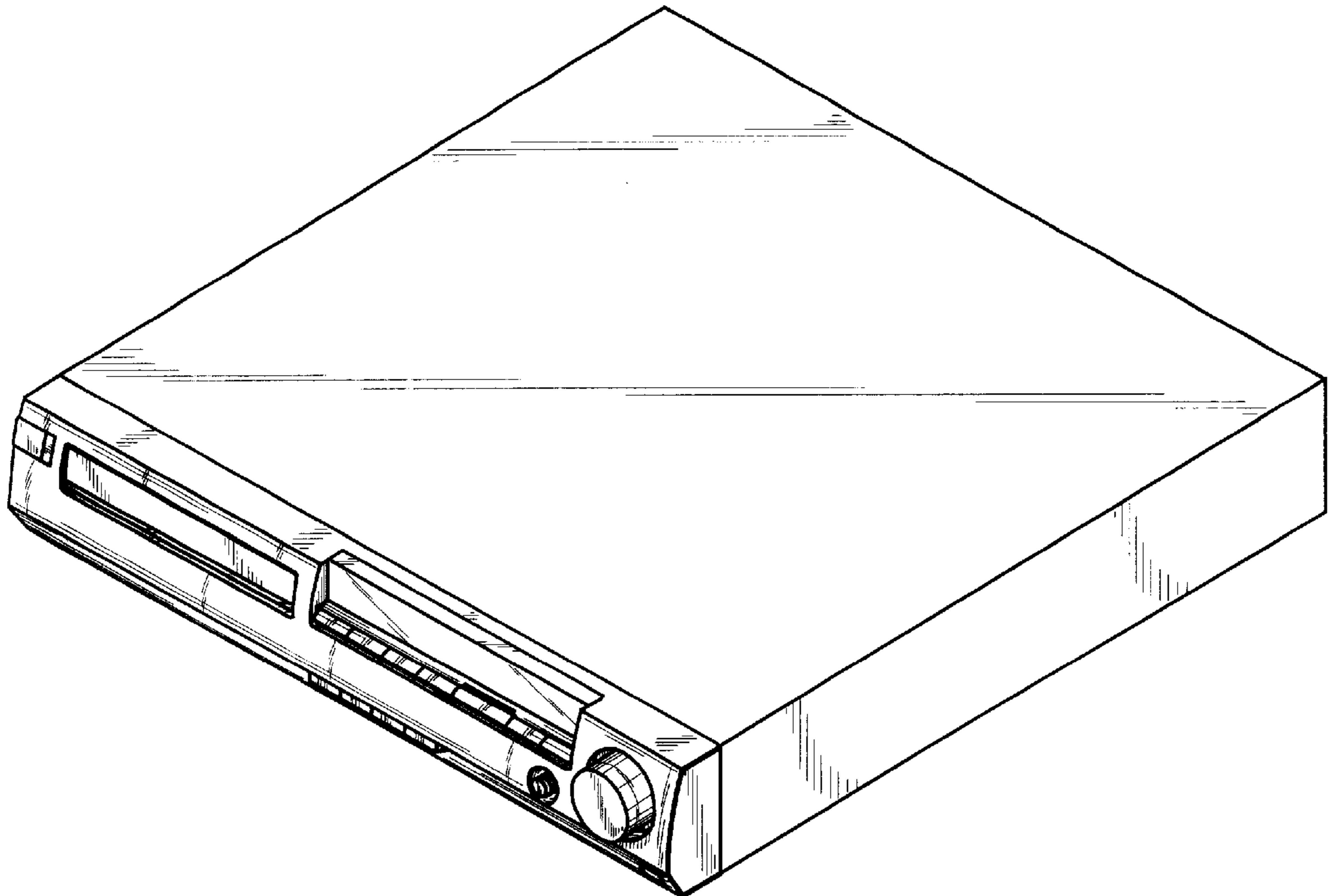
FIG. 4 is a left side elevational view thereof;

FIG. 5 is a right side elevational view thereof;

FIG. 6 is a front elevational view thereof; and,

FIG. 7 is a rear elevational view thereof.

1 Claim, 4 Drawing Sheets



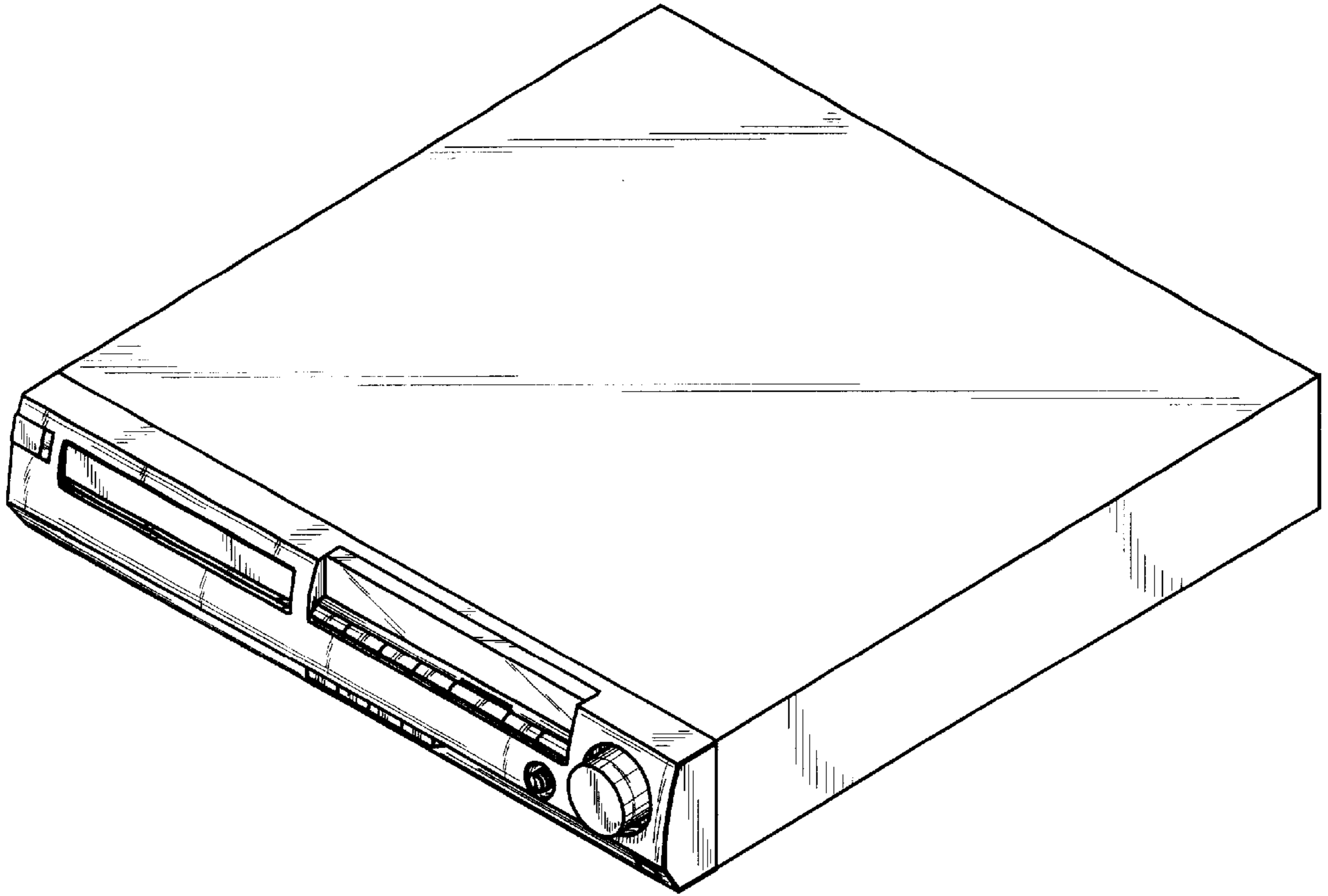


Fig. 1

Fig. 2

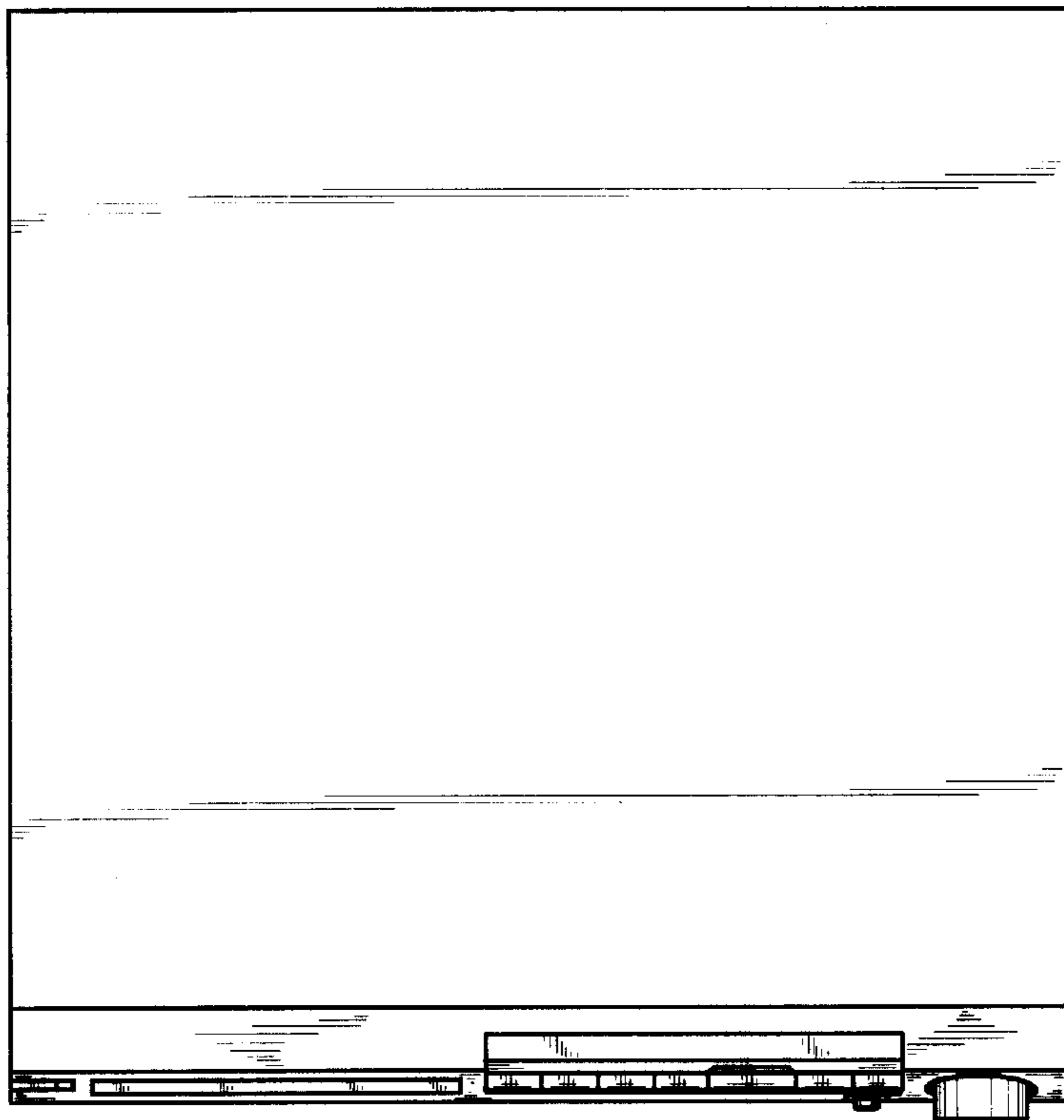
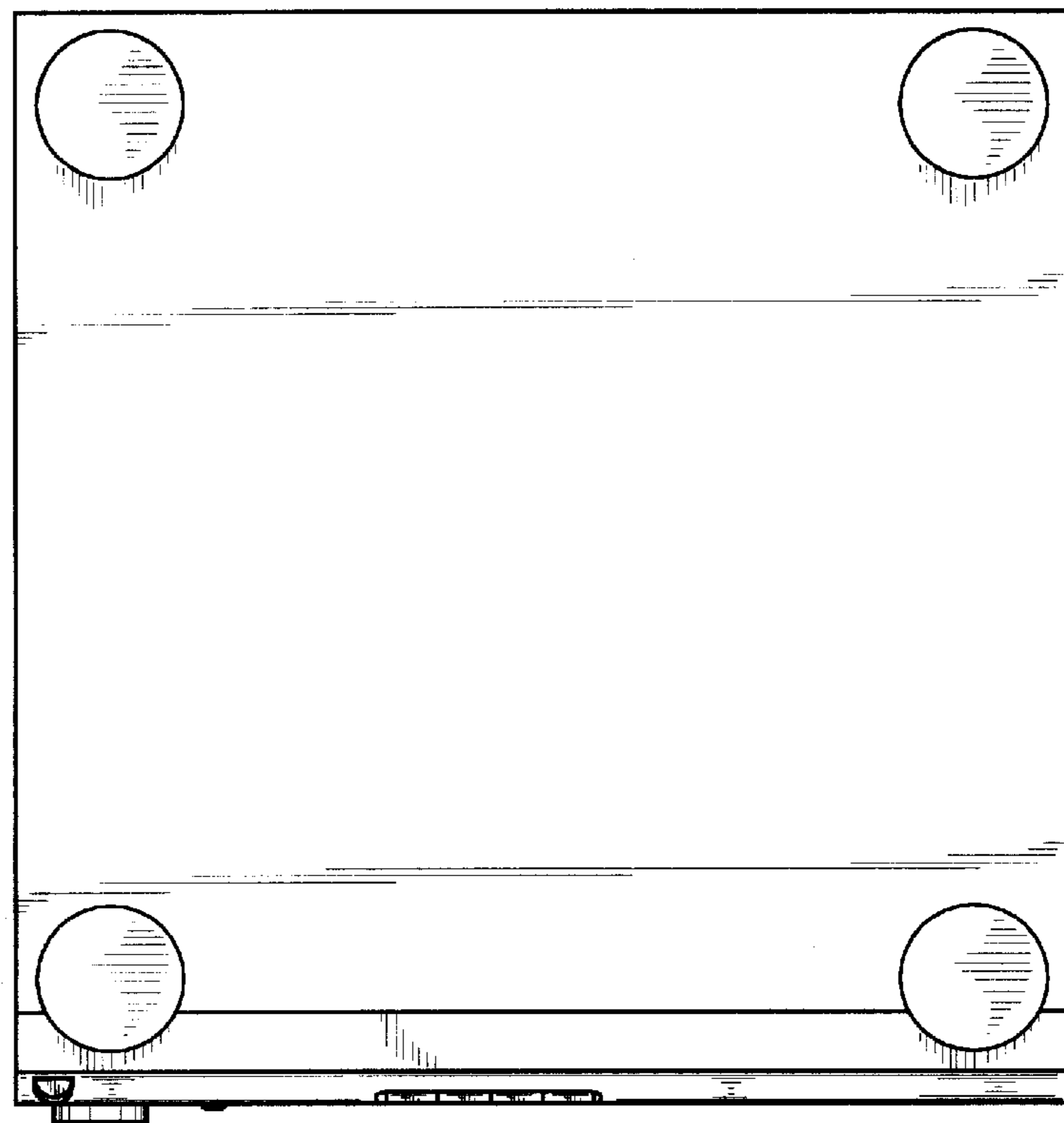


Fig. 3



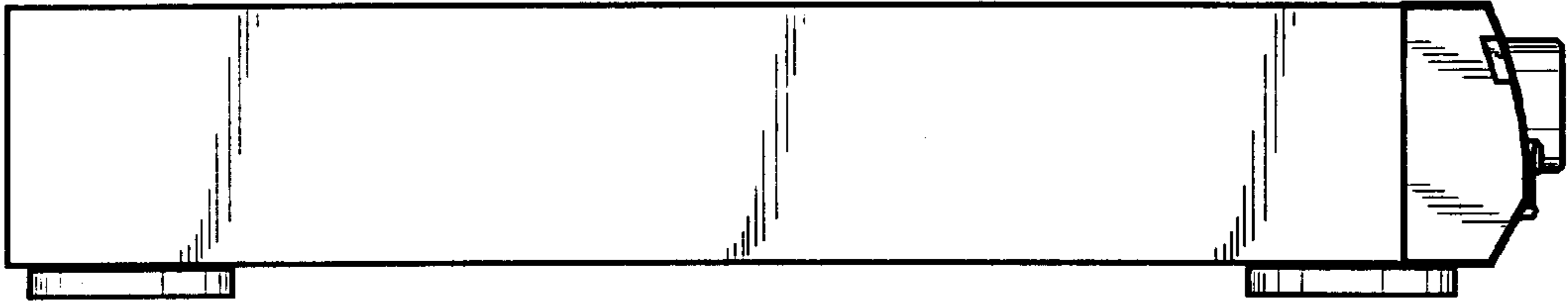


Fig. 4

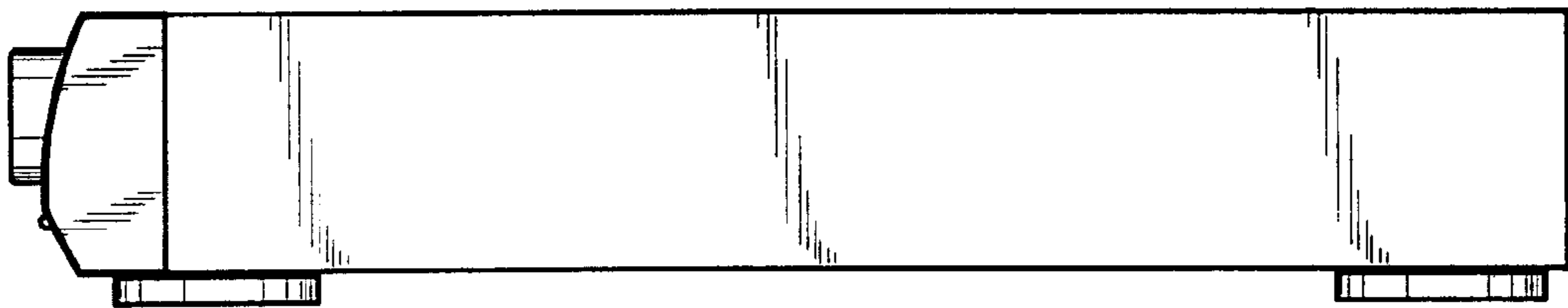


Fig. 5

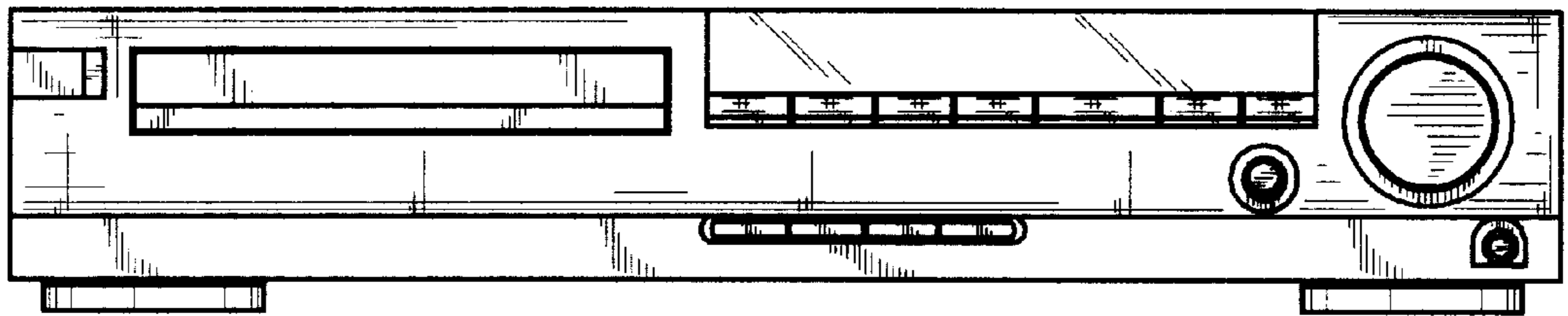


Fig. 6

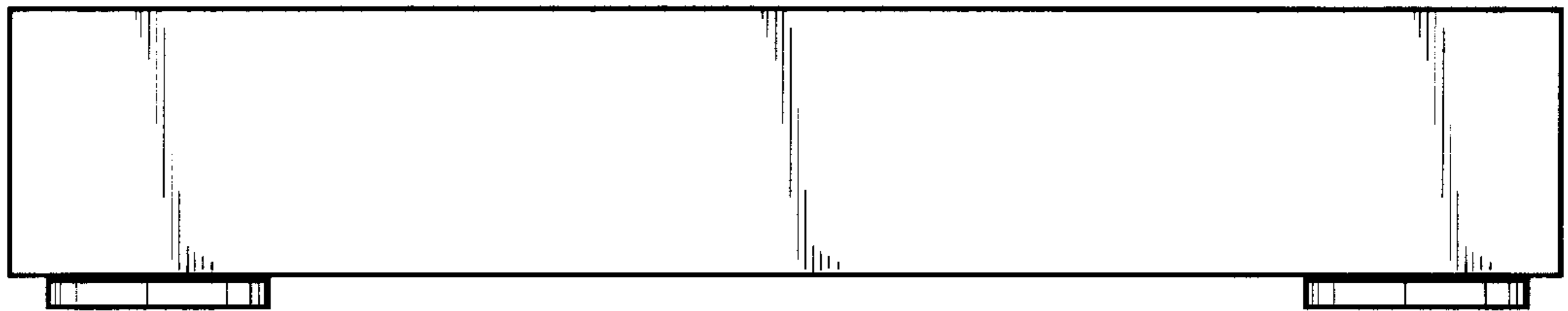


Fig. 7