



US00D439226S

(12) **United States Design Patent**
Rosen

(10) **Patent No.:** **US D439,226 S**

(45) **Date of Patent:** **** Mar. 20, 2001**

(54) **RETRACTABLE MONITOR**

5,179,367 1/1993 Shimizu .

(75) Inventor: **John B. Rosen**, Eugene, OR (US)

5,179,447 1/1993 Lain .

5,195,709 3/1993 Yasushi .

(73) Assignee: **Rosen Products LLC**, Eugene, OR (US)

(List continued on next page.)

(**) Term: **14 Years**

FOREIGN PATENT DOCUMENTS

4118711 12/1992 (DE) .

(21) Appl. No.: **29/096,542**

Primary Examiner—Catherine Tuttle

(22) Filed: **Nov. 13, 1998**

(74) *Attorney, Agent, or Firm*—Kolisch, Hartwell, Dickinson, McCormack & Heuser

Related U.S. Application Data

(63) Continuation of application No. 29/083,017, filed on Feb. 2, 1998, now Pat. No. Des. 409,597, which is a continuation of application No. 29/066,478, filed on Feb. 6, 1997, now Pat. No. Des. 390,219.

(57) **CLAIM**

The ornamental design for a retractable monitor, as shown and described.

(51) **LOC (7) Cl.** **14-03**

(52) **U.S. Cl.** **D14/132**

(58) **Field of Search** D14/371, 374–376, D14/126, 129, 132; D12/345, 415–418; D6/300, 513; D8/380; D16/235; D19/60; D24/158, 160; 108/44, 137; 244/118.5; 248/917–924; 312/7.2; 340/995; 345/905; 348/148, 825, 827, 836–838, 840

DESCRIPTION

FIG. 1 is an isometric view of a retractable monitor showing my new design from the bottom rear and right side, the monitor being depicted in stowed orientation with monitor environment in dashed lines;

FIG. 2 is an isometric view showing the monitor from the top rear and right side and showing the monitor in a display orientation;

FIG. 3 is a right-side view showing the monitor in the display orientation;

FIG. 4 is a left-side view showing the monitor in the stowed orientation;

FIG. 5 is a top view showing the monitor in the stowed orientation;

FIG. 6 is a right-side view showing the monitor in the stowed orientation;

FIG. 7 is a bottom view showing the monitor in the stowed orientation;

FIG. 8 is a front view showing the monitor in the stowed orientation; and,

FIG. 9 is a rear view showing the monitor in the stowed orientation.

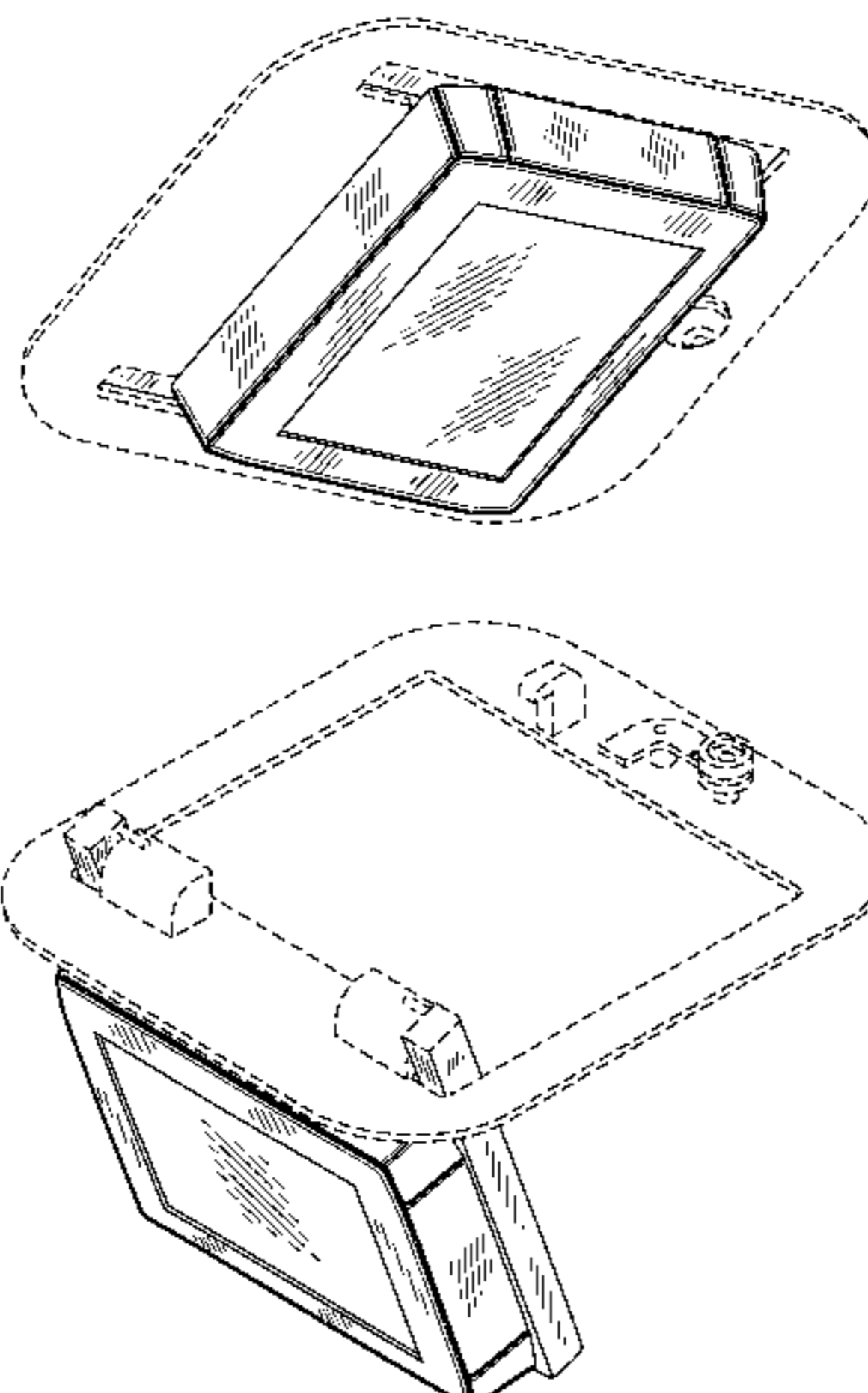
The broken line showing of the monitor environment is for illustrative purposes only and forms no part of the claimed design.

(56) **References Cited**

U.S. PATENT DOCUMENTS

D. 332,715	1/1993	Sedighzadeh et al. .	
D. 365,951	1/1996	Walters, III .	
4,504,910	3/1985	Araki et al. .	
4,630,821	12/1986	Greenwald .	
4,655,553 *	4/1987	Klein	349/58 X
4,814,759	3/1989	Gombrich et al. .	
4,836,486	6/1989	Vossoughi et al. .	
5,009,384 *	4/1991	Gerke et al.	248/343
5,064,161	11/1991	Anderson .	
5,076,524	12/1991	Reh et al. .	
5,096,271	3/1992	Portman .	
5,145,128	9/1992	Umeda .	
5,148,282	9/1992	Sedighzadeh .	
5,161,028	11/1992	Kawata et al. .	
5,177,616	1/1993	Riday .	

1 Claim, 3 Drawing Sheets



US D439,226 S

Page 2

U.S. PATENT DOCUMENTS

5,311,302	5/1994	Berry et al. .	5,583,735	*	12/1996	Pease et al.	361/170
5,362,144	11/1994	Shioya et al. .	5,743,487		4/1998	Rice .	
5,459,893	10/1995	Walters, III .	5,838,309	*	11/1998	Robsky et al.	345/173
5,501,042	3/1996	Gustaveson et al. .	5,847,685	*	12/1998	Otsuki	345/87
5,547,248	8/1996	Marechal .					

* cited by examiner

FIG. 1

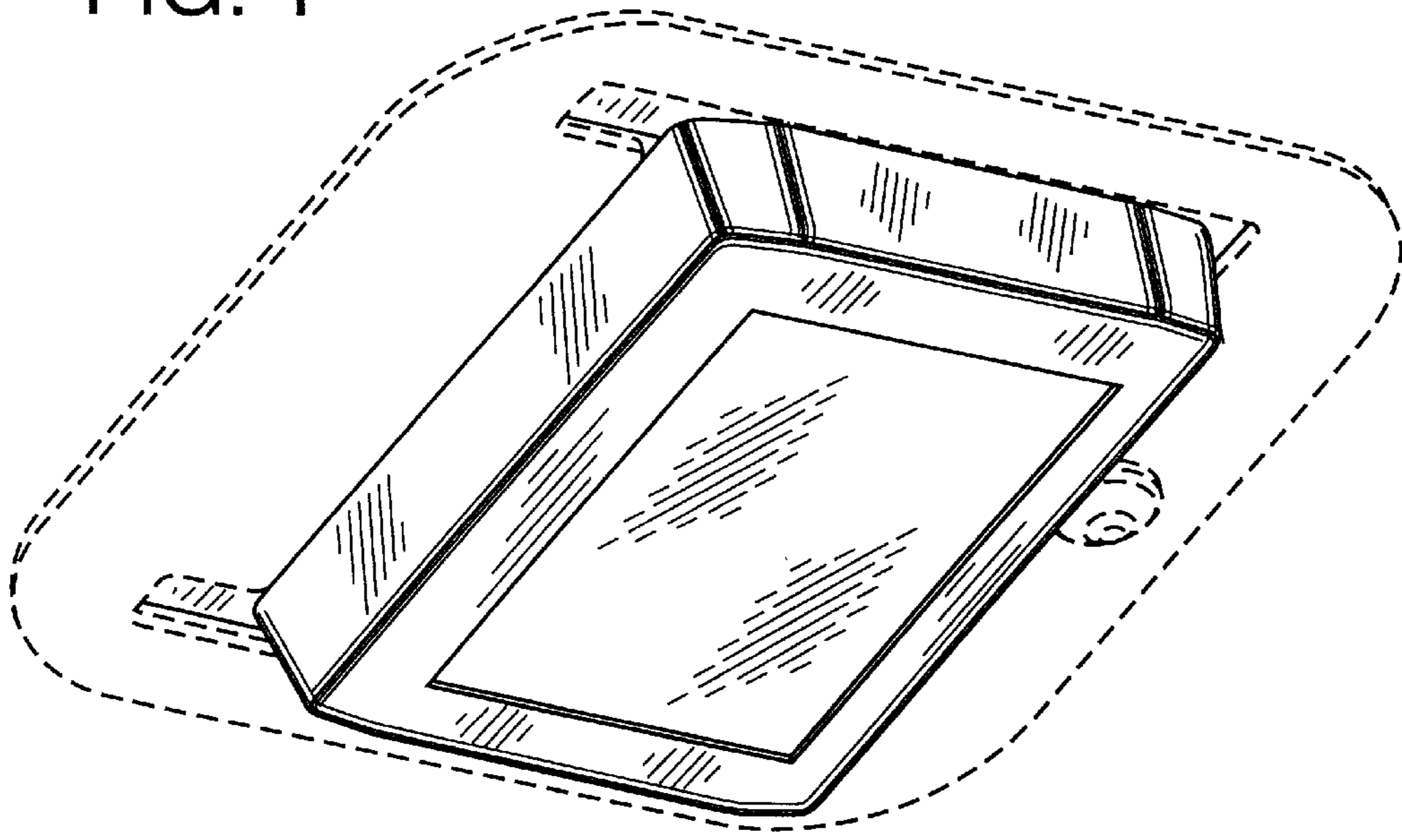


FIG. 2

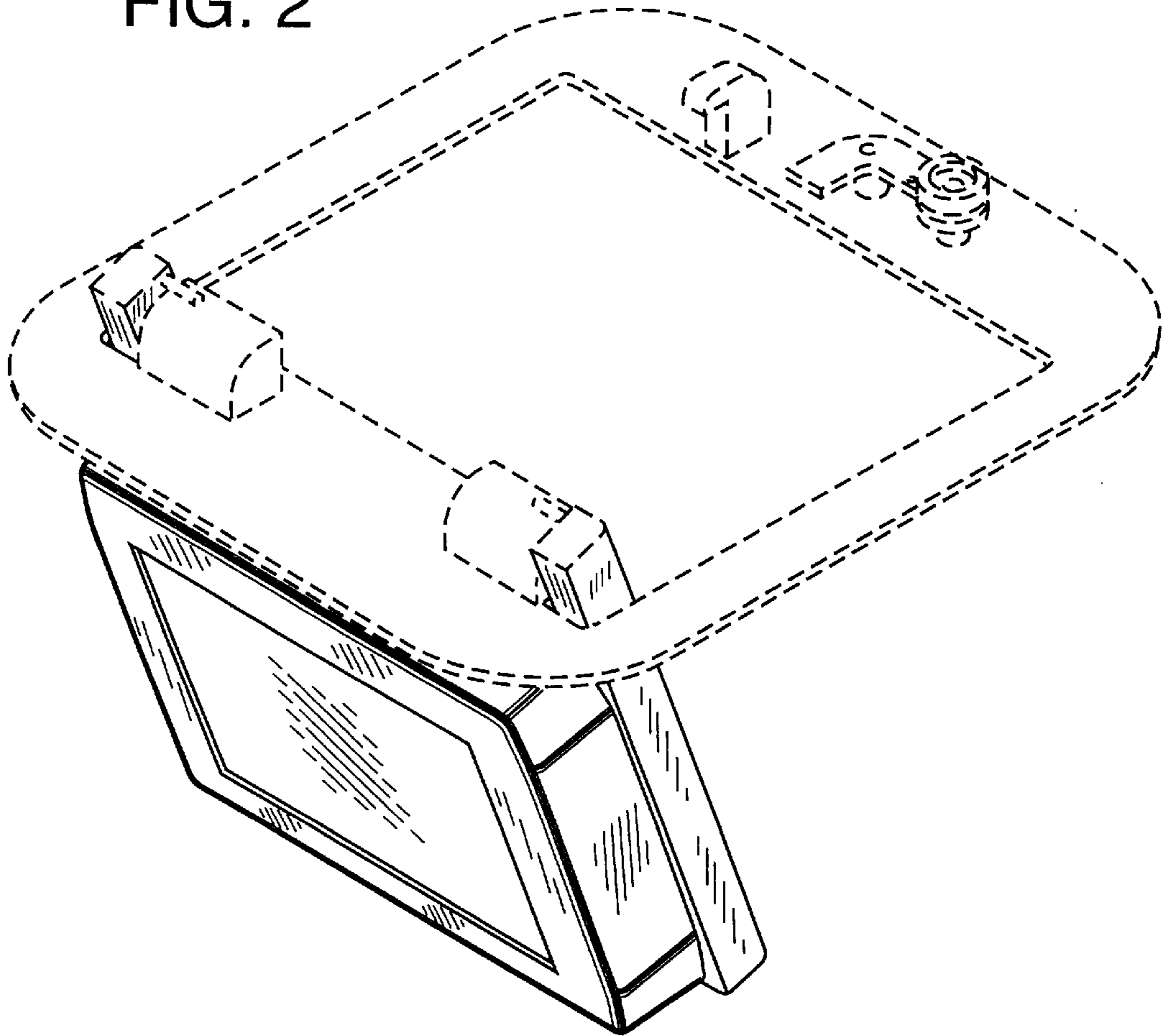


FIG. 3

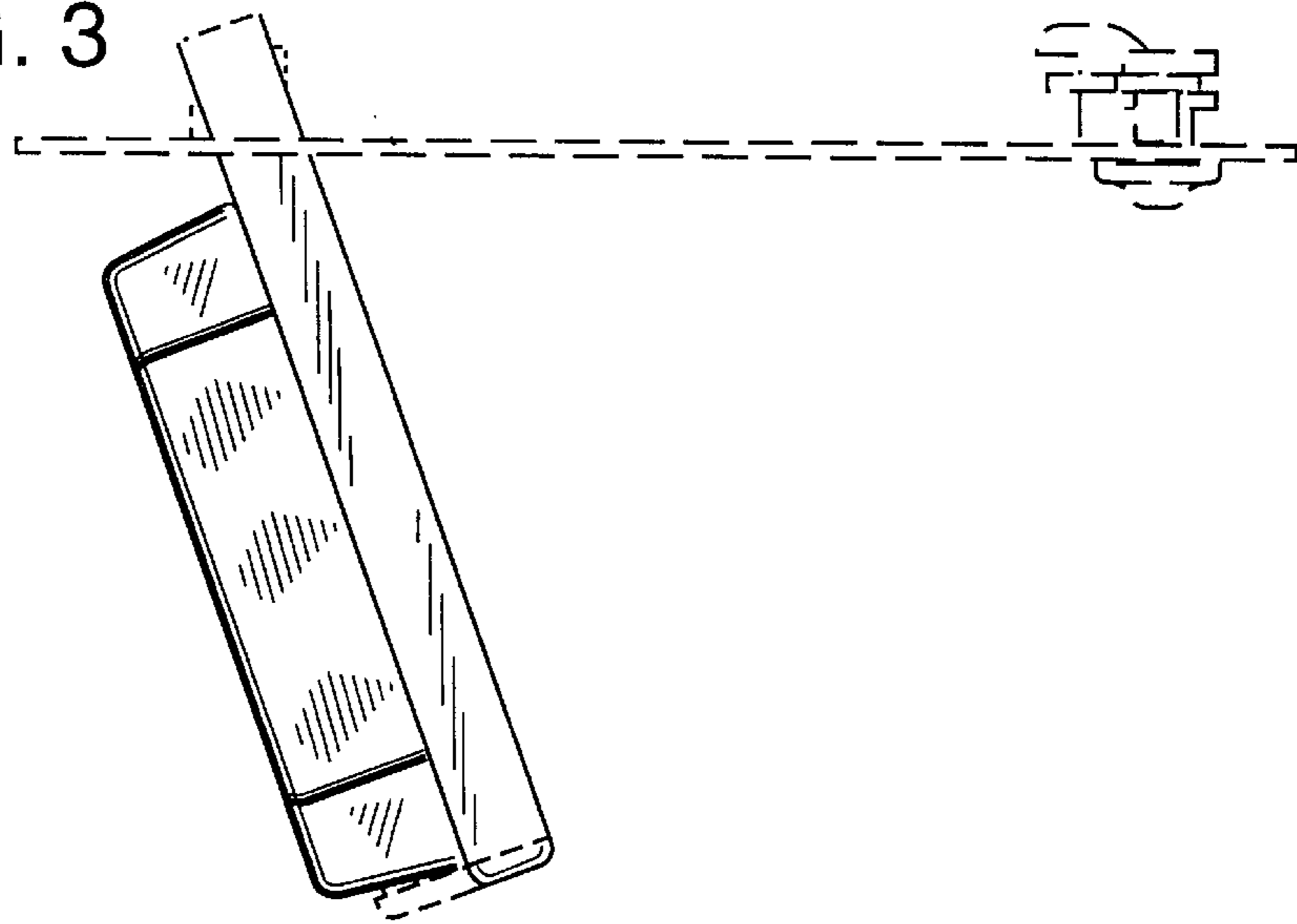


FIG. 4

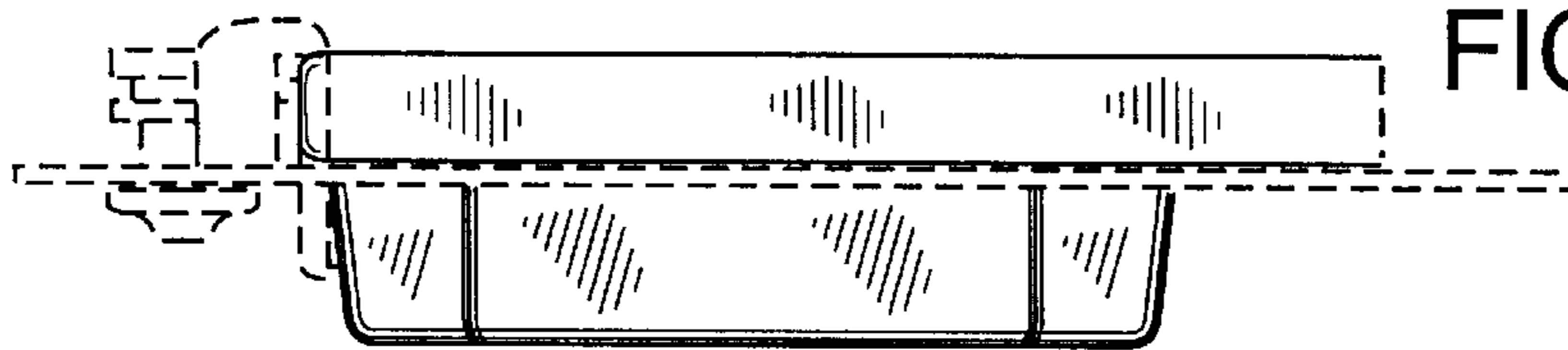


FIG. 5

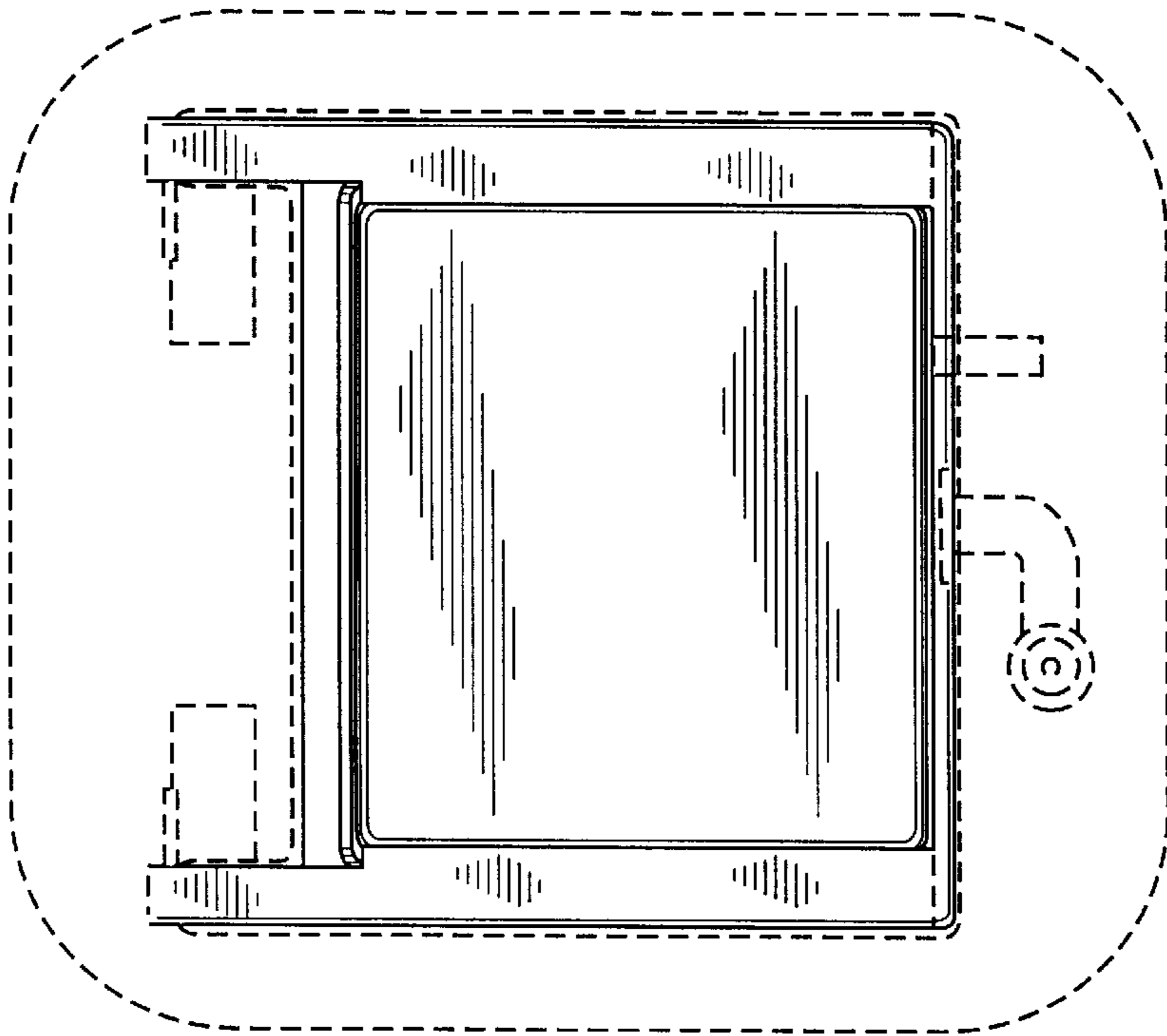


FIG. 6

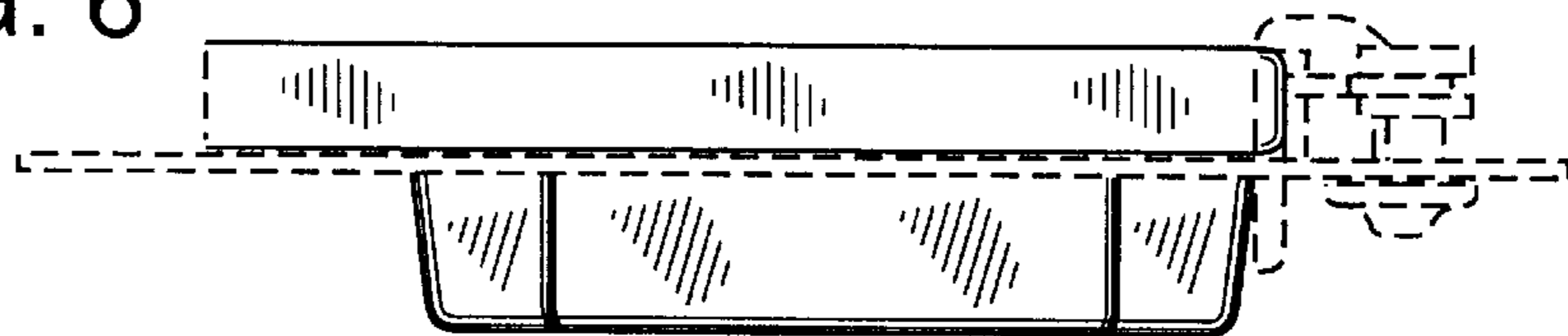


FIG. 7

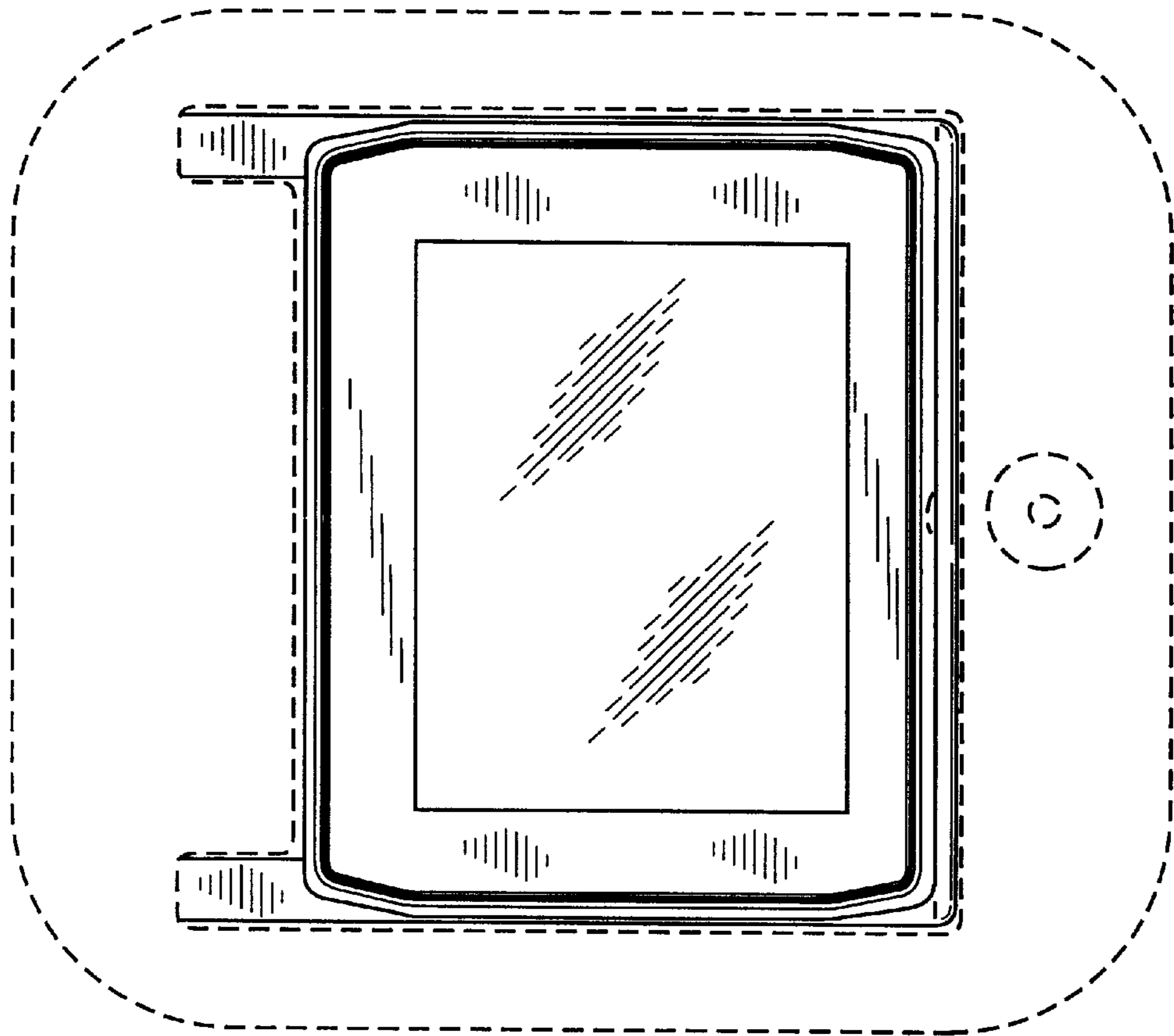


FIG. 8

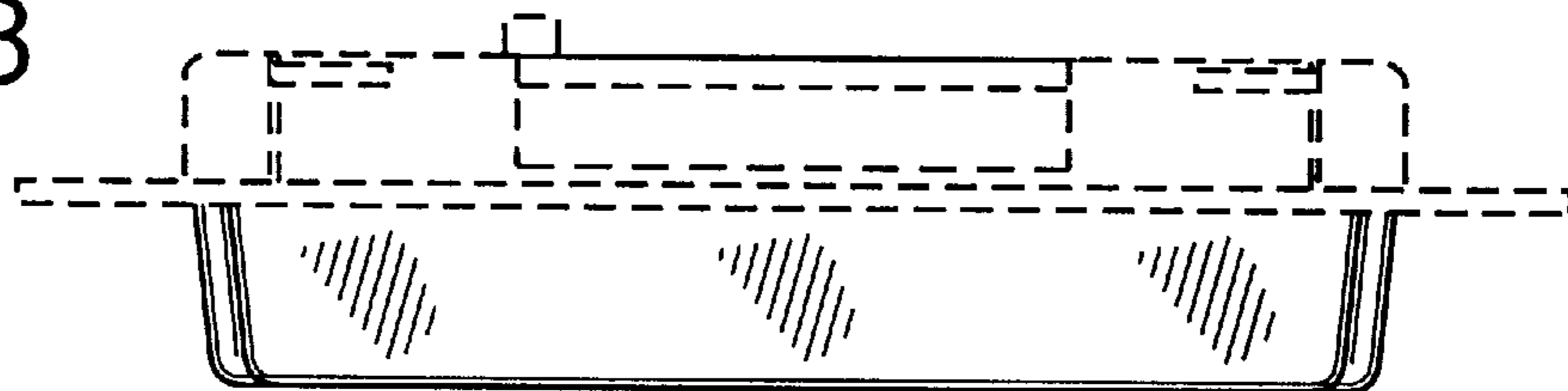


FIG. 9

