



US00D439224S

(12) **United States Design Patent**
Kita

(10) **Patent No.:** **US D439,224 S**

(45) **Date of Patent:** **** Mar. 20, 2001**

(54) **TELEVISION SET**

(75) **Inventor:** **Toshiyuki Kita**, Osaka-fu (JP)

(73) **Assignee:** **Sharp Kabushiki Kaisha**, Osaka (JP)

(**) **Term:** **14 Years**

(21) **Appl. No.:** **29/125,452**

(22) **Filed:** **Jun. 23, 2000**

(30) **Foreign Application Priority Data**

Dec. 24, 1999 (JP) 11-35934

(51) **LOC (7) Cl.** **14-03**

(52) **U.S. Cl.** **D14/126**

(58) **Field of Search** D14/125-136,
D14/239, 371, 374-375; 312/7.2; 348/836,
838, 180, 184, 325, 739; 345/905, 104,
133, 156, 168, 87, 173; 341/12

(56) **References Cited**

U.S. PATENT DOCUMENTS

- D. 336,645 6/1993 Saito et al. .
- D. 337,113 7/1993 Saito et al. .
- D. 342,497 12/1993 Saito et al. .
- D. 342,501 12/1993 Saeki et al. .
- D. 342,509 12/1993 Saito et al. .
- D. 351,155 10/1994 Usami et al. .
- D. 351,156 10/1994 Usami et al. .
- D. 357,244 4/1995 Usami et al. .

- D. 357,245 4/1995 Usami et al. .
- D. 357,472 4/1995 Usami et al. .
- D. 369,596 5/1996 Akiyama et al. .
- D. 372,026 7/1996 Akiyama et al. .
- D. 373,583 9/1996 Akiyama et al. .
- D. 392,628 * 3/1998 Hayashi D14/374
- D. 395,453 * 6/1998 Kawasaki et al. D14/374
- D. 407,077 * 3/1999 Shibata D14/126
- D. 412,892 * 8/1999 Lee D14/126
- D. 413,594 * 9/1999 Renk D14/126
- D. 432,101 * 10/2000 Oba D14/126

* cited by examiner

Primary Examiner—Raphael Barkai

(74) *Attorney, Agent, or Firm*—Nixon & Vanderhye

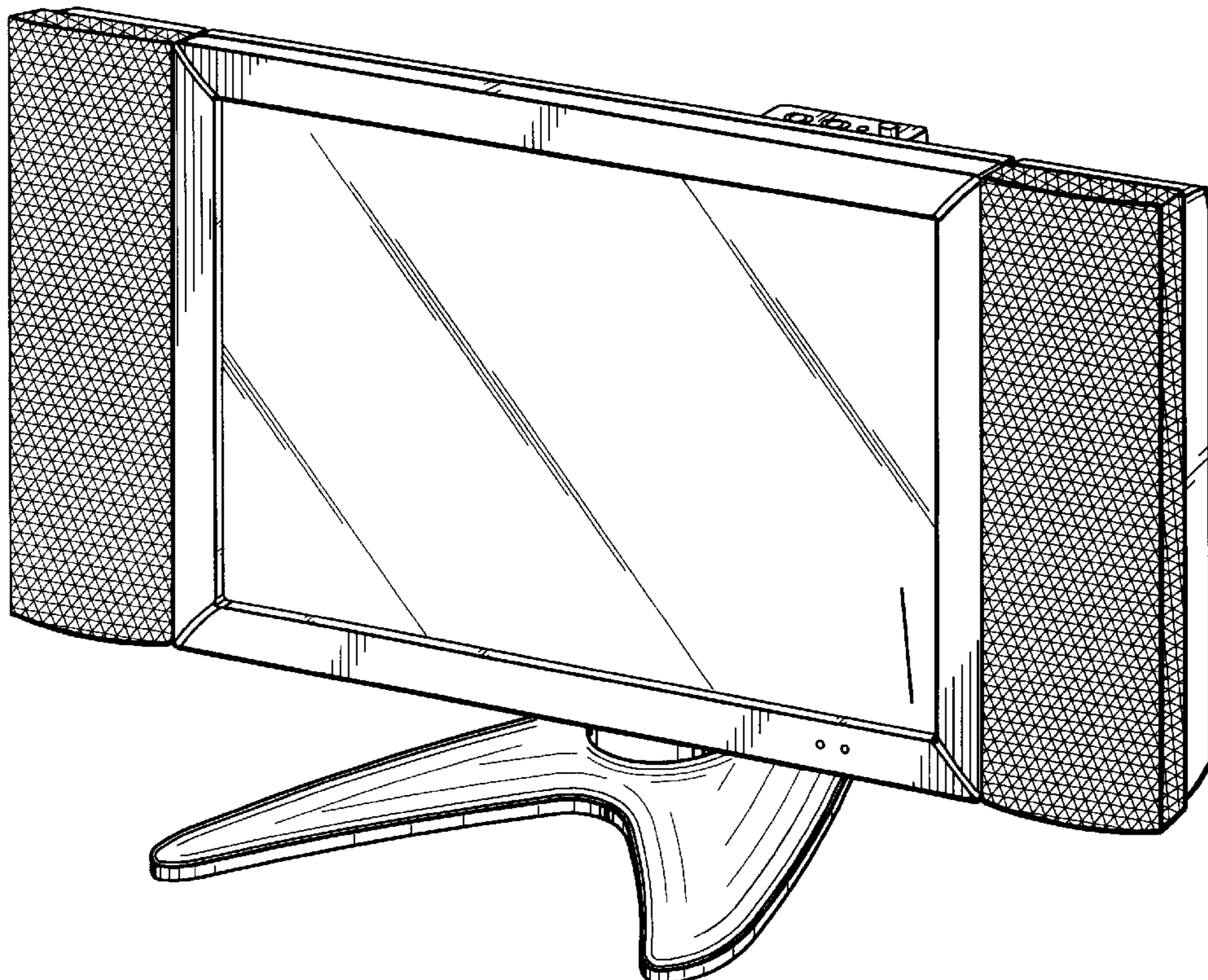
(57) **CLAIM**

The ornamental design for a “television set”, as shown and described.

DESCRIPTION

FIG. 1 is a top, front and right side perspective view of a television set according to my design; FIG. 2 is a front elevational view thereof; FIG. 3 is a rear elevational view thereof; FIG. 4 is a top plan view thereof; FIG. 5 is a bottom plan view thereof; FIG. 6 is a left side elevational view thereof; and, FIG. 7 is a right side elevational view thereof.

1 Claim, 6 Drawing Sheets



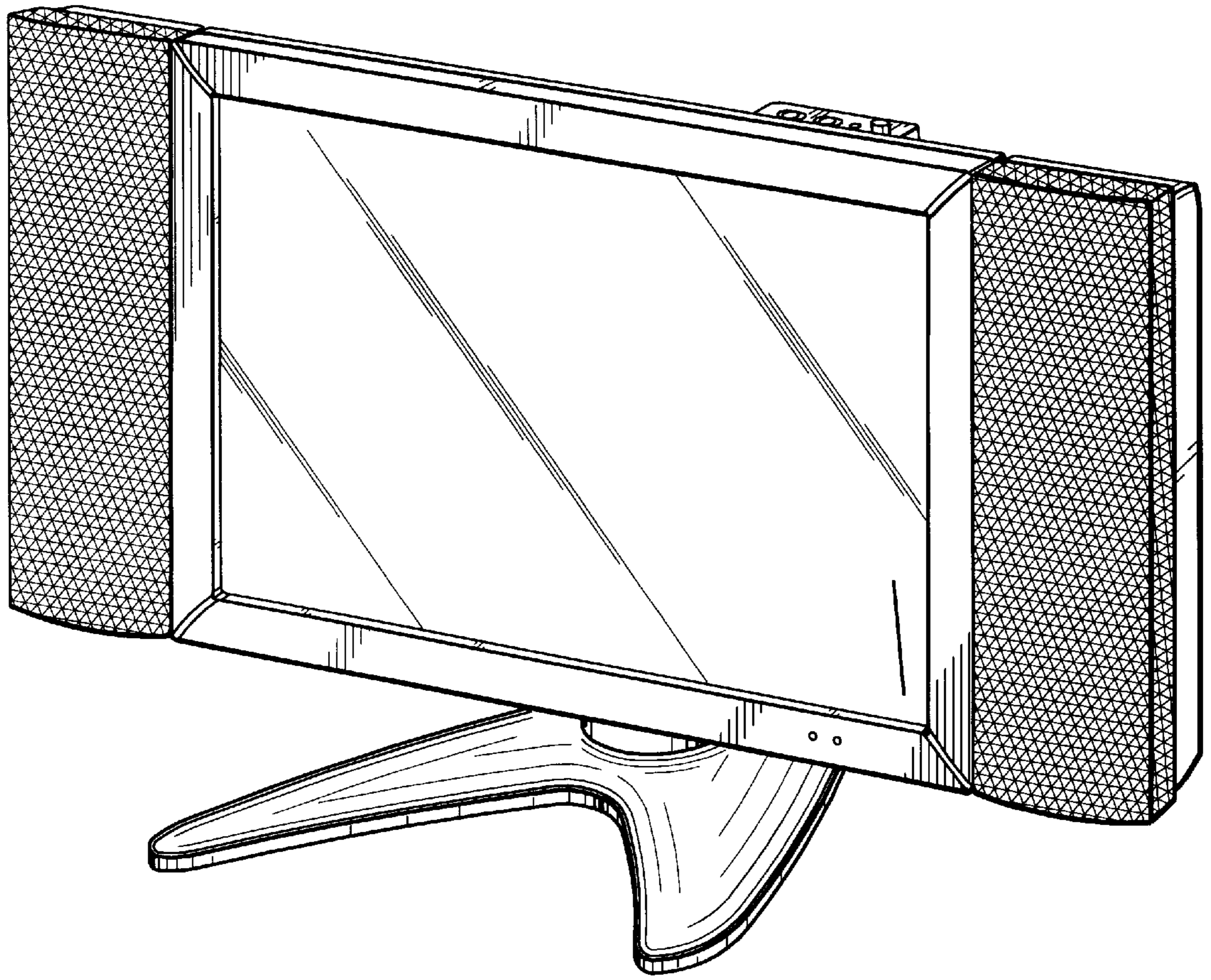


Fig.1

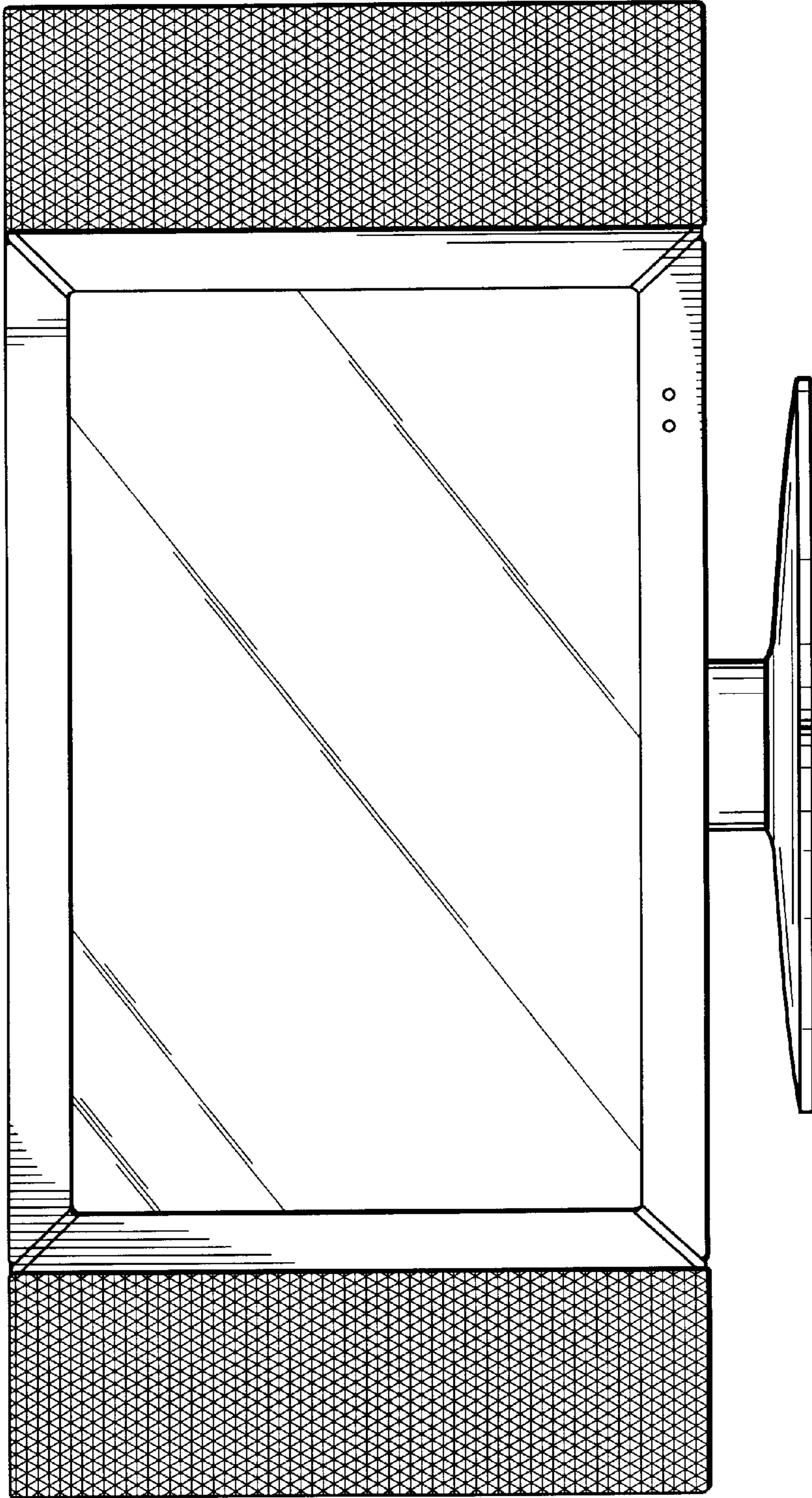


Fig.2

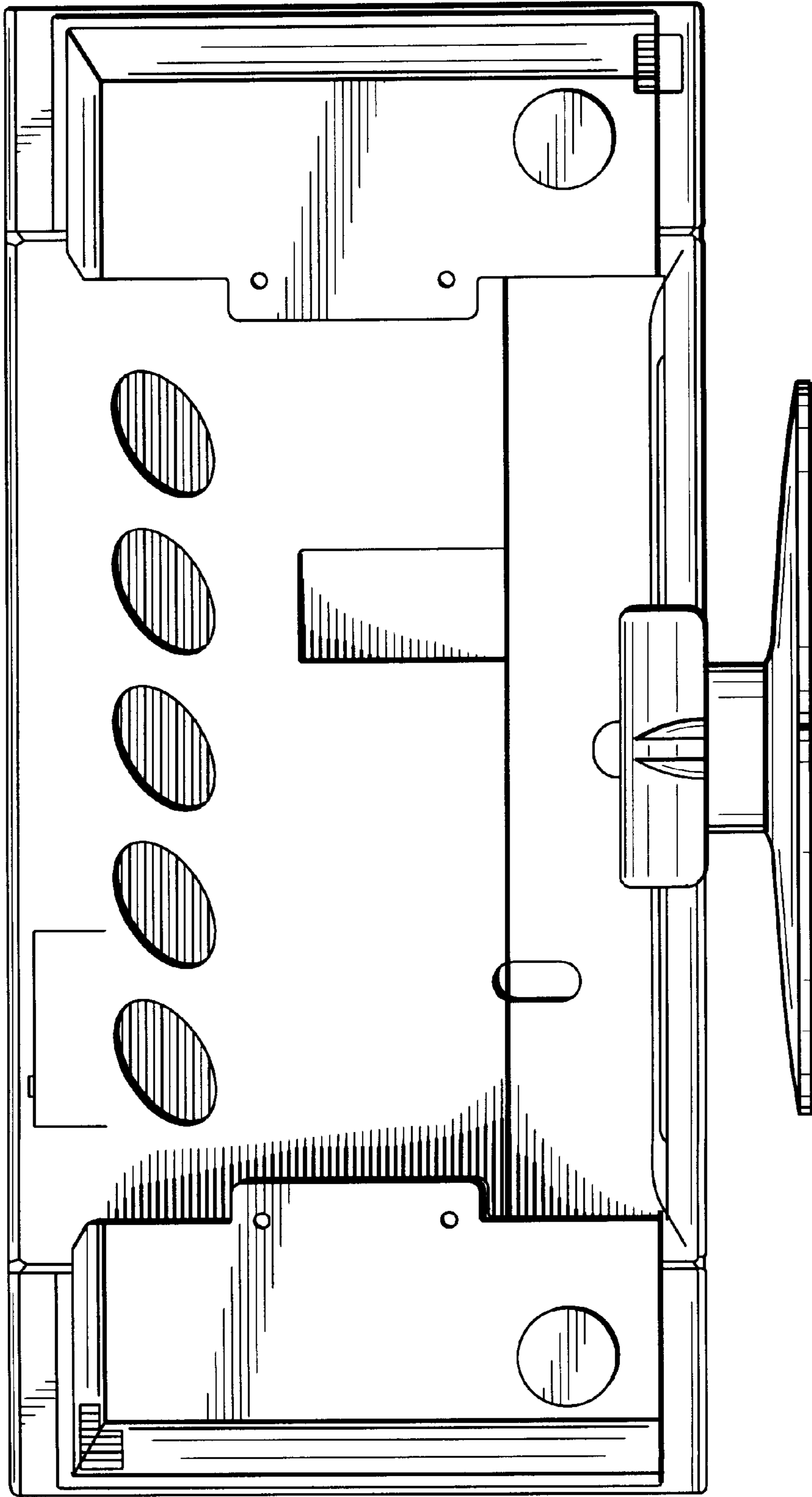


Fig. 3

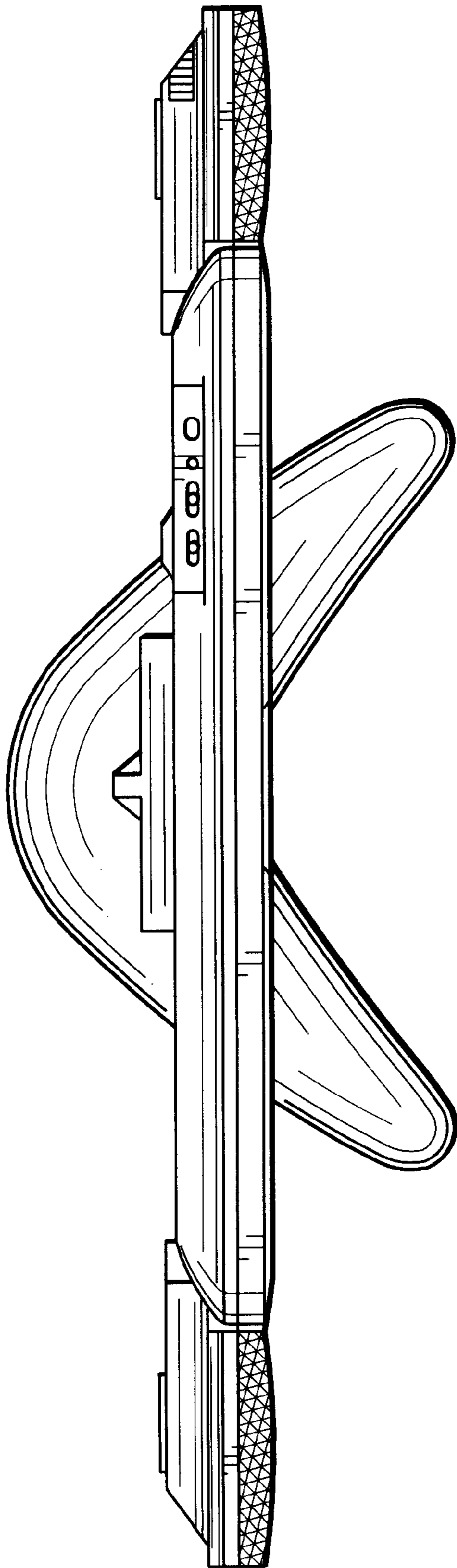


Fig.4

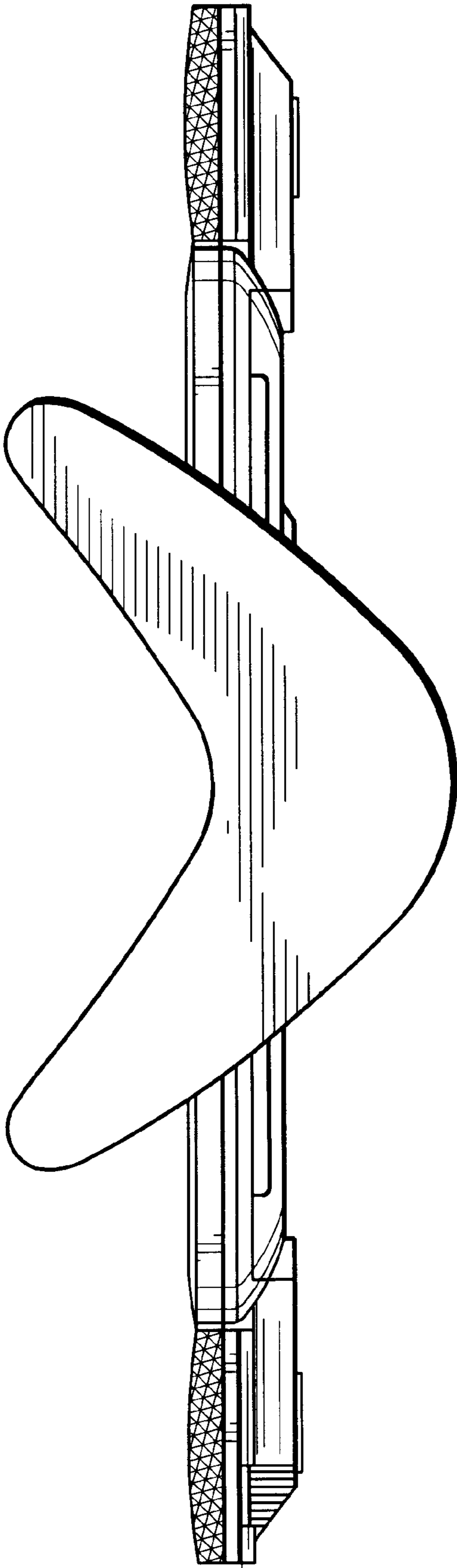


Fig. 5

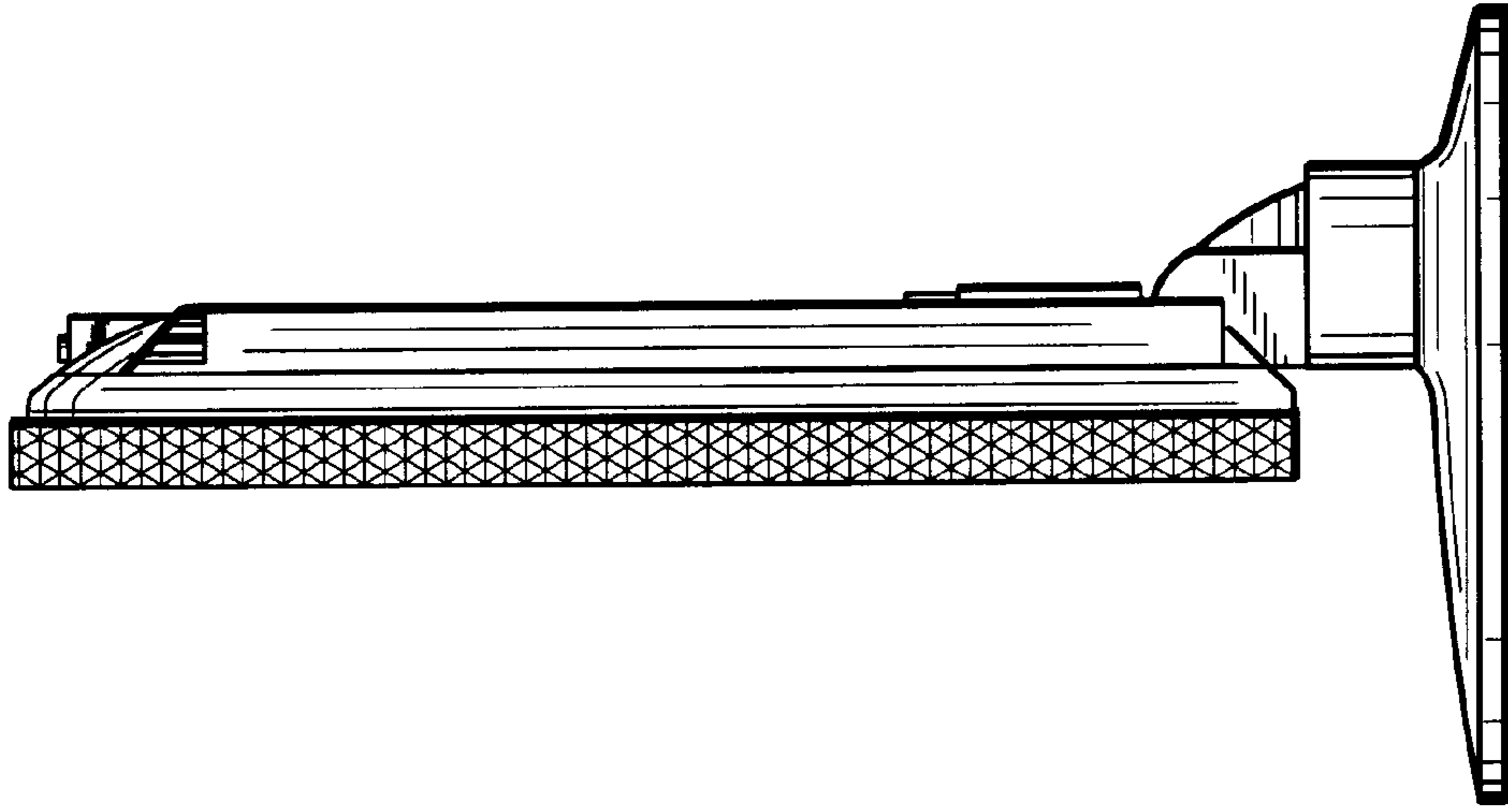


Fig. 7

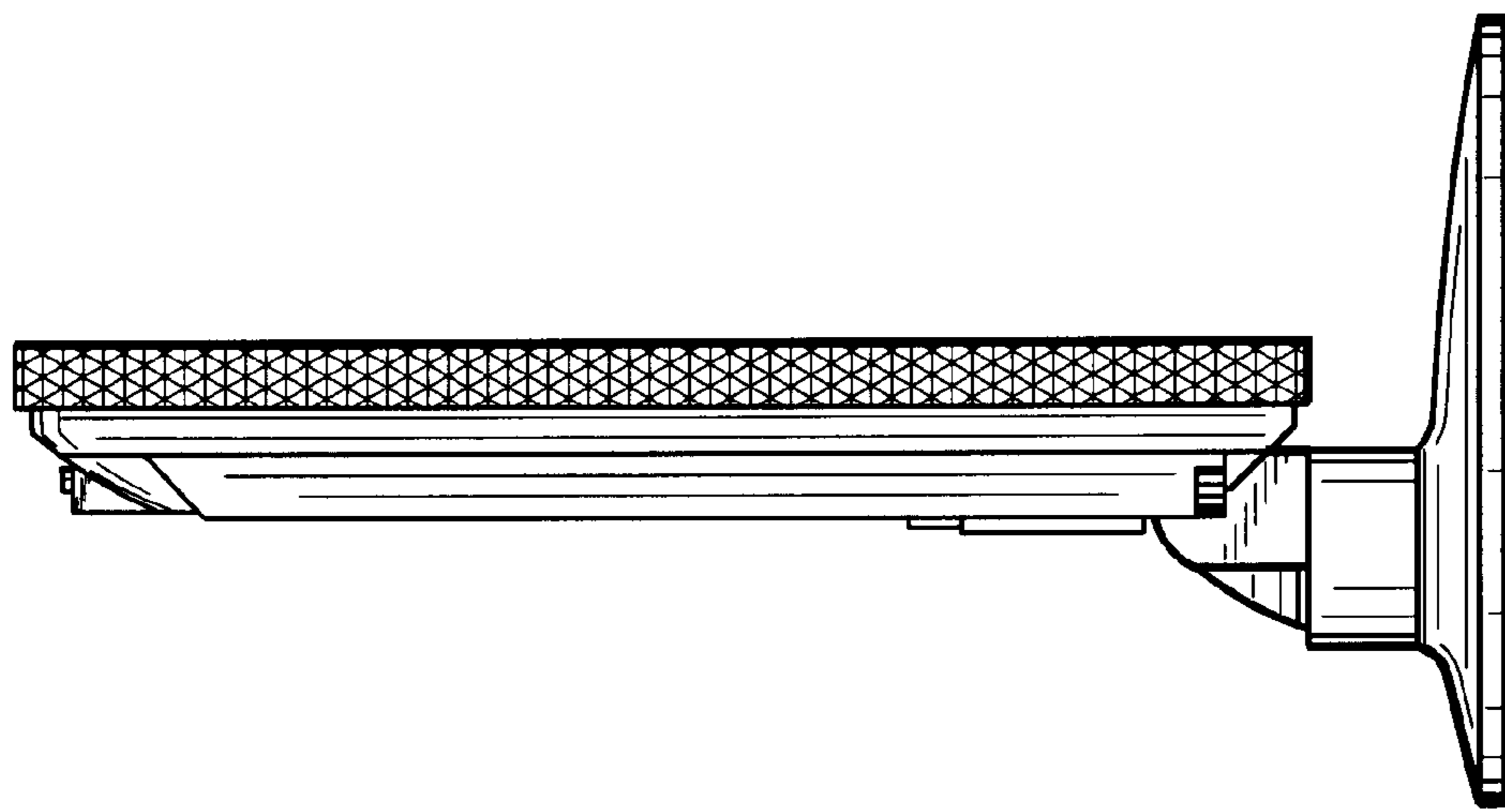


Fig. 6