



US00D439222S

(12) **United States Design Patent**
Orton

(10) **Patent No.:** **US D439,222 S**

(45) **Date of Patent:** **** Mar. 20, 2001**

(54) **RADIO CONTROLLED MODEL SPEED CONTROLLER HOUSING COMPONENT**

5,043,640 * 8/1991 Orton 340/825 X
5,577,154 * 11/1996 Orton 340/825 X

(76) **Inventor:** **Kevin R. Orton**, Tekin Electronics, Inc., 940 Calle Negocio, San Clemente, CA (US) 92673

* cited by examiner

Primary Examiner—Brian N. Vinson

(74) *Attorney, Agent, or Firm*—Loyal McKinley Hanson

(**) **Term:** **14 Years**

(57) **CLAIM**

(21) **Appl. No.:** **29/085,207**

The ornamental design for a radio controlled model speed controller housing component, as shown.

(22) **Filed:** **Mar. 18, 1998**

DESCRIPTION

(51) **LOC (7) Cl.** **13-03**

(52) **U.S. Cl.** **D13/168**

(58) **Field of Search** D13/162, 168;
D14/174, 191, 218; D21/334; 340/825,
825.22, 825.23, 825.24, 825.25, 825.31,
825.32, 825.36, 825.58, 825.69, 825.72;
341/176

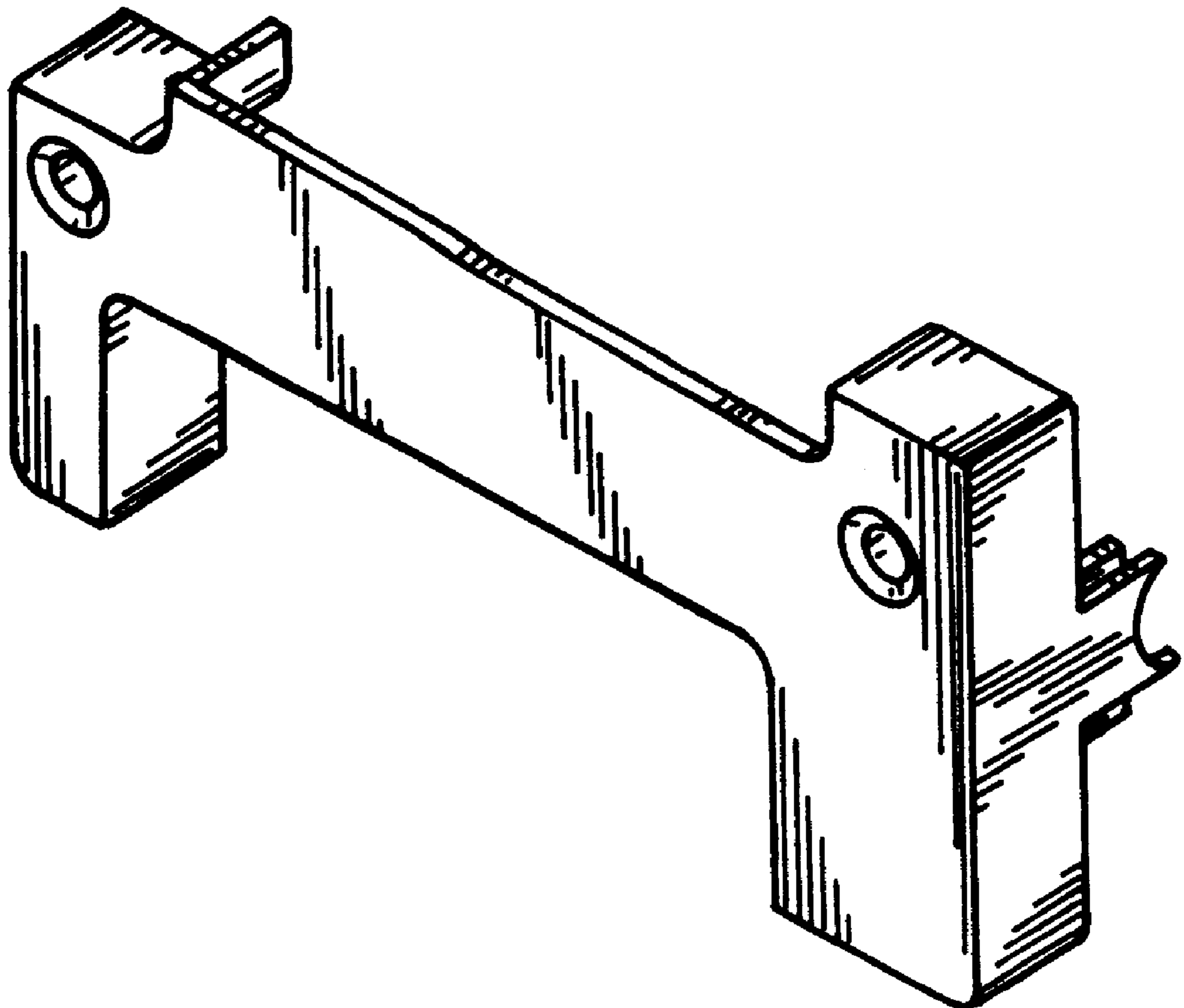
FIG. 1 of the drawings is a front, top, and right side perspective view of a radio controlled model speed controller housing component showing my design;
FIG. 2 is a front view of the housing component;
FIG. 3 is a top view;
FIG. 4 is a right side view;
FIG. 5 is a left side view;
FIG. 6 is a back view; and,
FIG. 7 is a bottom view.

(56) **References Cited**

U.S. PATENT DOCUMENTS

4,584,504 * 4/1986 Lee et al. 340/825.69 X

1 Claim, 1 Drawing Sheet



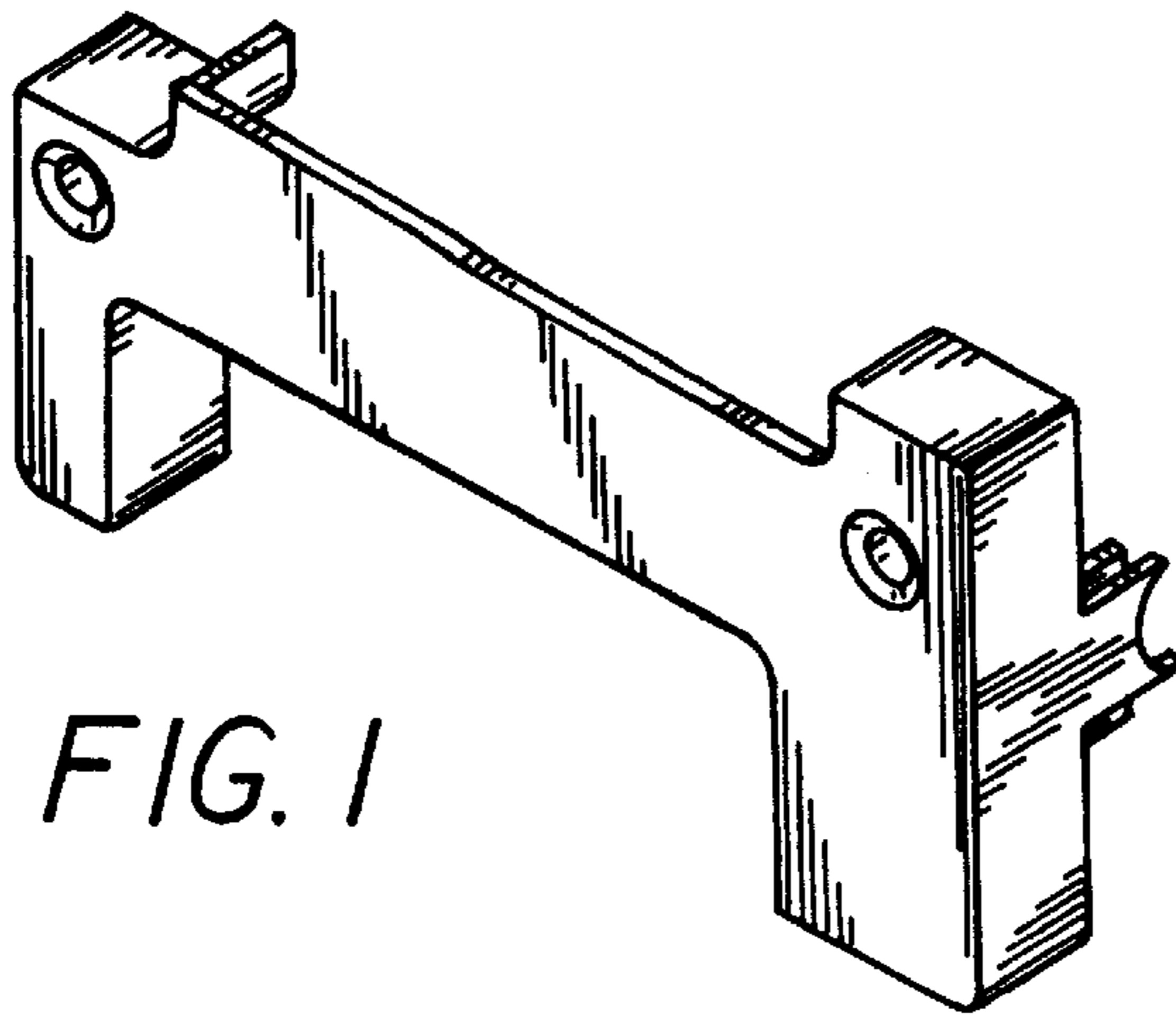


FIG. 1

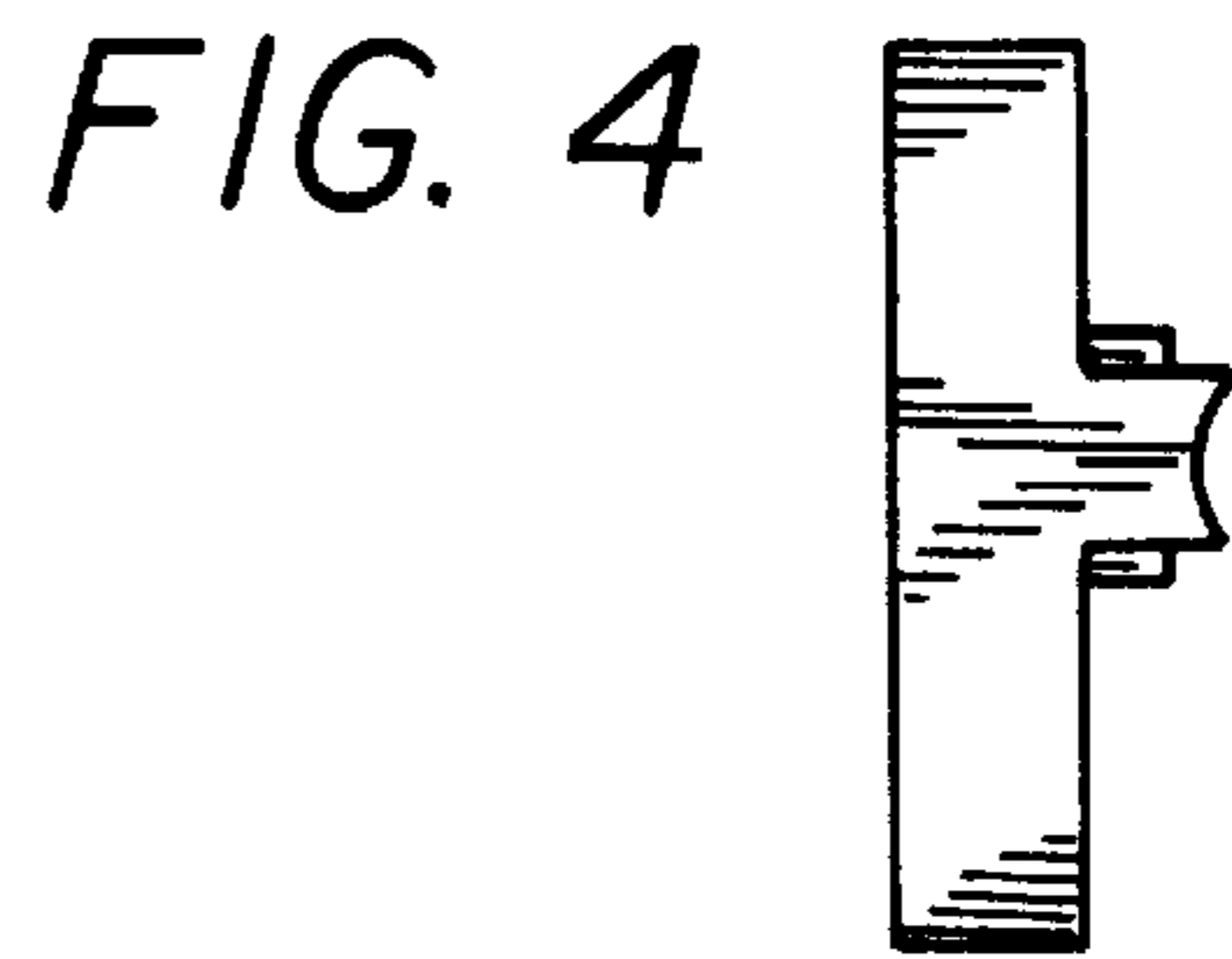


FIG. 4

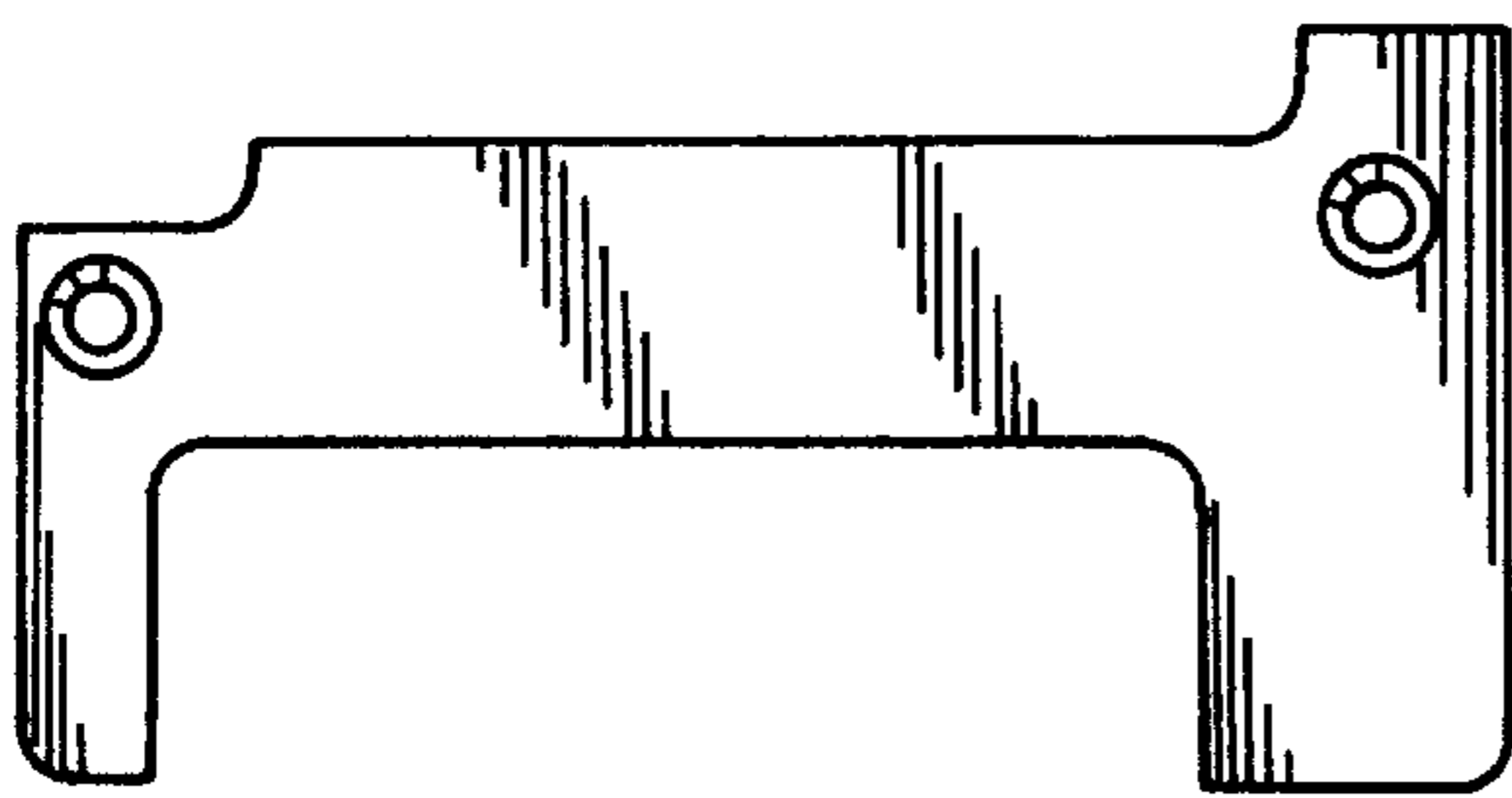


FIG. 2

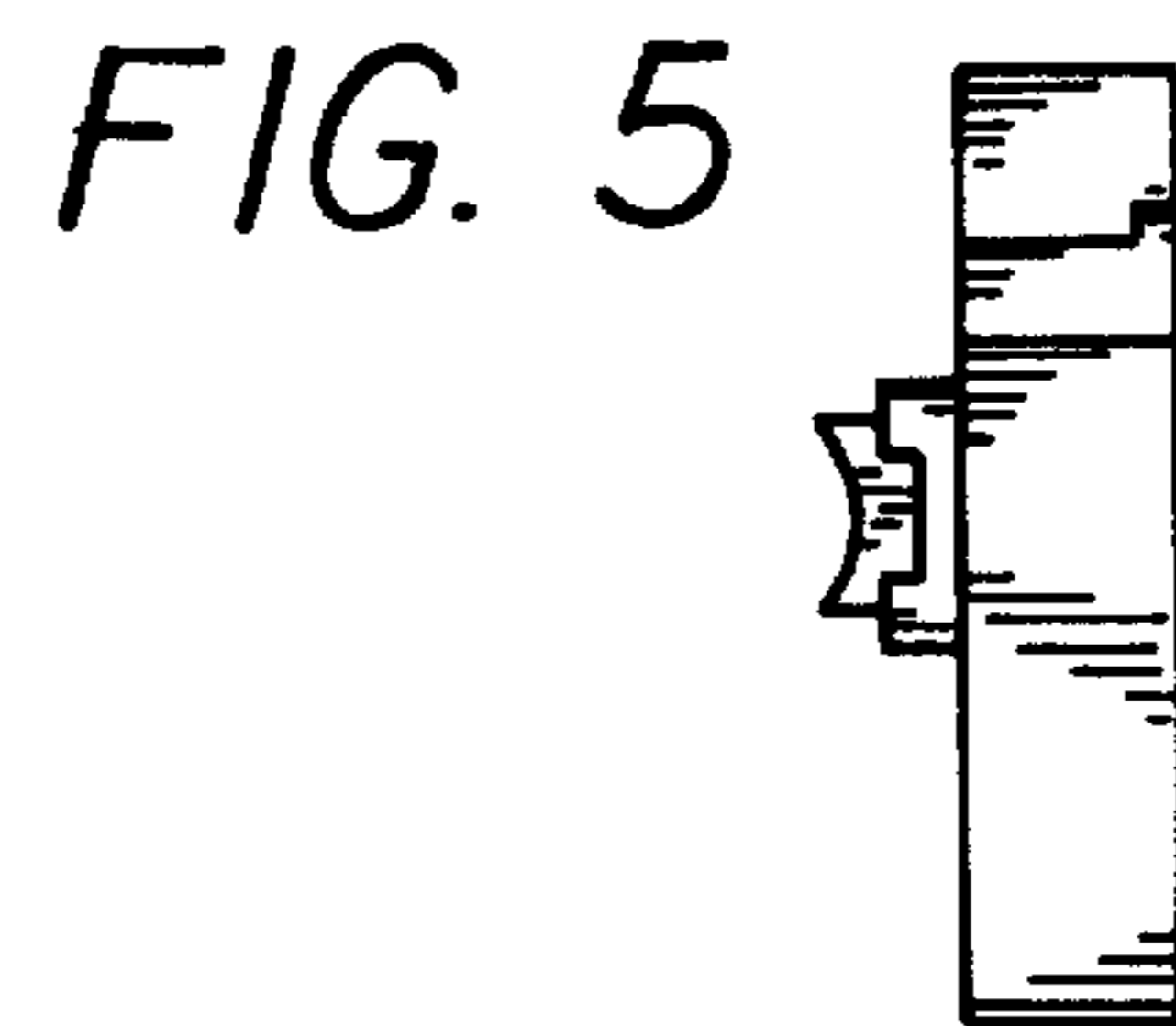


FIG. 5

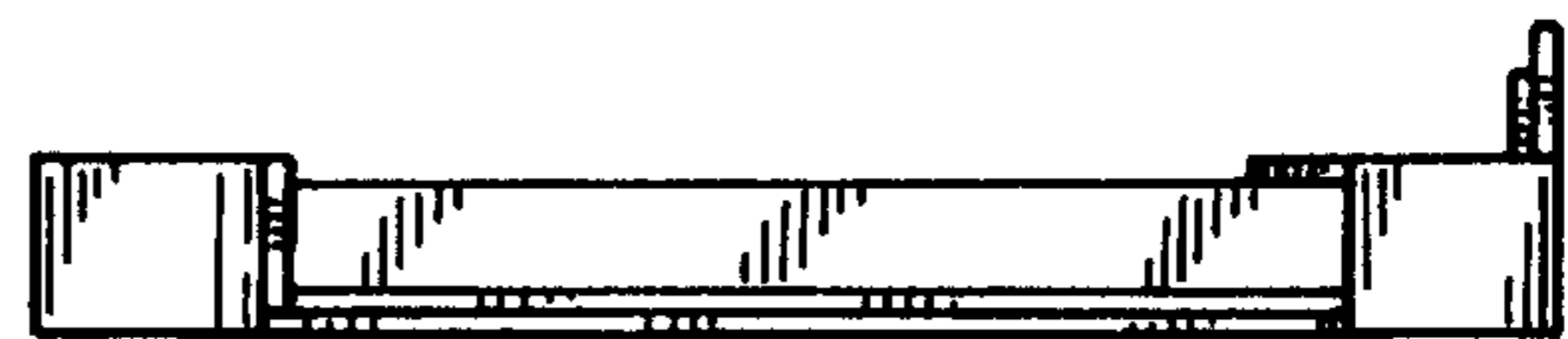


FIG. 3

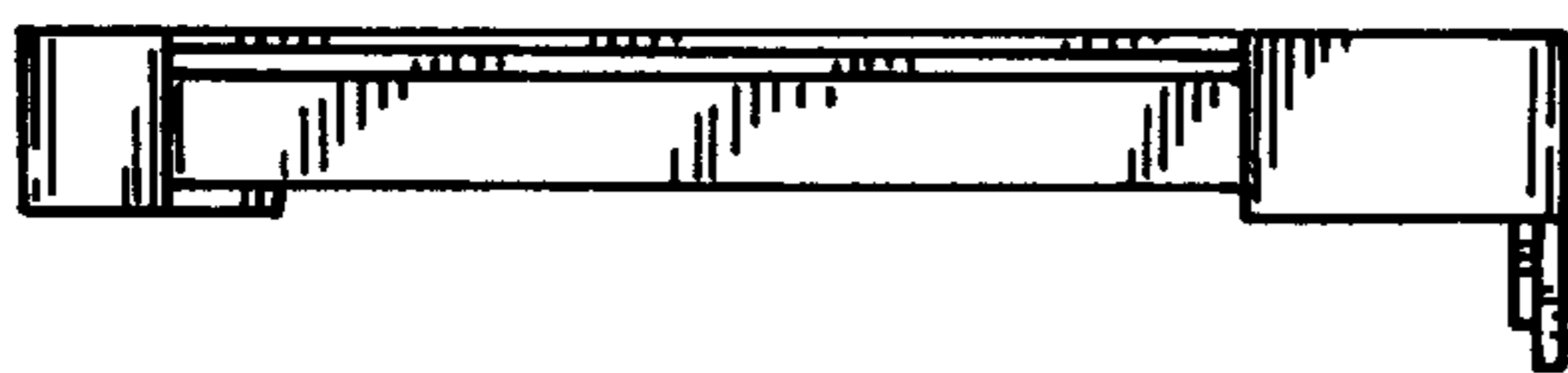


FIG. 7

FIG. 6

