



US00D439221S

(12) **United States Design Patent**  
**Corona**

(10) **Patent No.:** **US D439,221 S**

(45) **Date of Patent:** **\*\* Mar. 20, 2001**

(54) **ENVIRONMENTALLY SEALED ELECTRICAL CONNECTOR HOUSING**

(76) **Inventor:** Sergio Corona, 1340 Shelley Ave., Upland, CA (US) 91786

(\*\*) **Term:** 14 Years

(21) **Appl. No.:** 29/114,792

(22) **Filed:** Dec. 1, 1999

(51) **LOC (7) Cl.** ..... 13-03

(52) **U.S. Cl.** ..... D13/146

(58) **Field of Search** ..... D13/146, 147; 439/544, 555, 560, 561, 562, 519, 521

(56) **References Cited**

**U.S. PATENT DOCUMENTS**

D. 252,268	*	7/1979	Jonsson	.....	D13/147
D. 384,643	*	10/1997	Nierlich et al.	.....	D13/147
2,938,188	*	5/1960	Lazzery	.....	439/544
4,422,715	*	12/1983	Williams et al.	.....	D13/147 X

\* cited by examiner

*Primary Examiner*—Joel Sincavage

(74) *Attorney, Agent, or Firm*—Robert D. Buyan; Stout, Uxa, Buyan& Mullins, LLP

(57) **CLAIM**

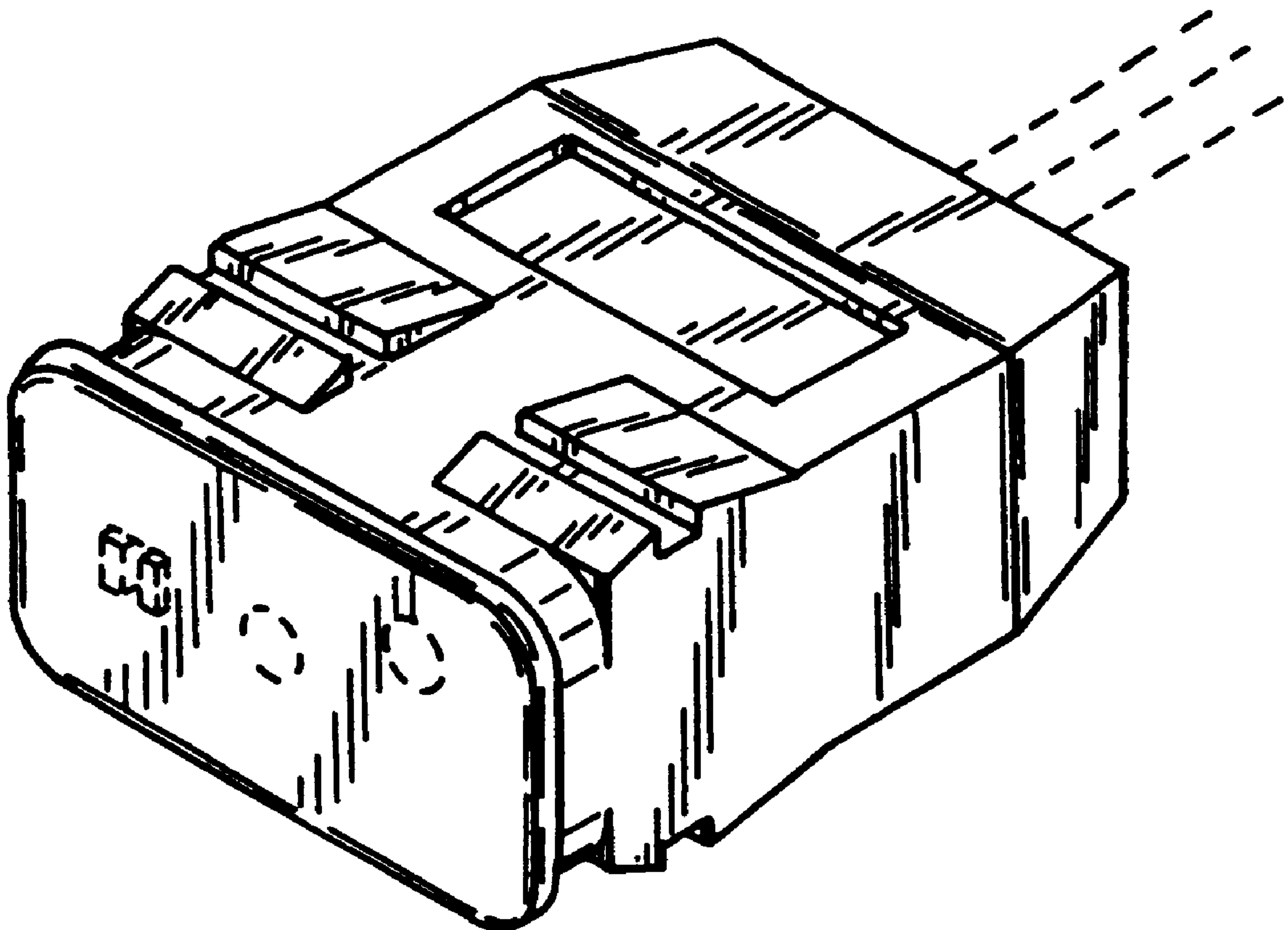
The ornamental design for a environmentally sealed electrical connector housing, as shown and described.

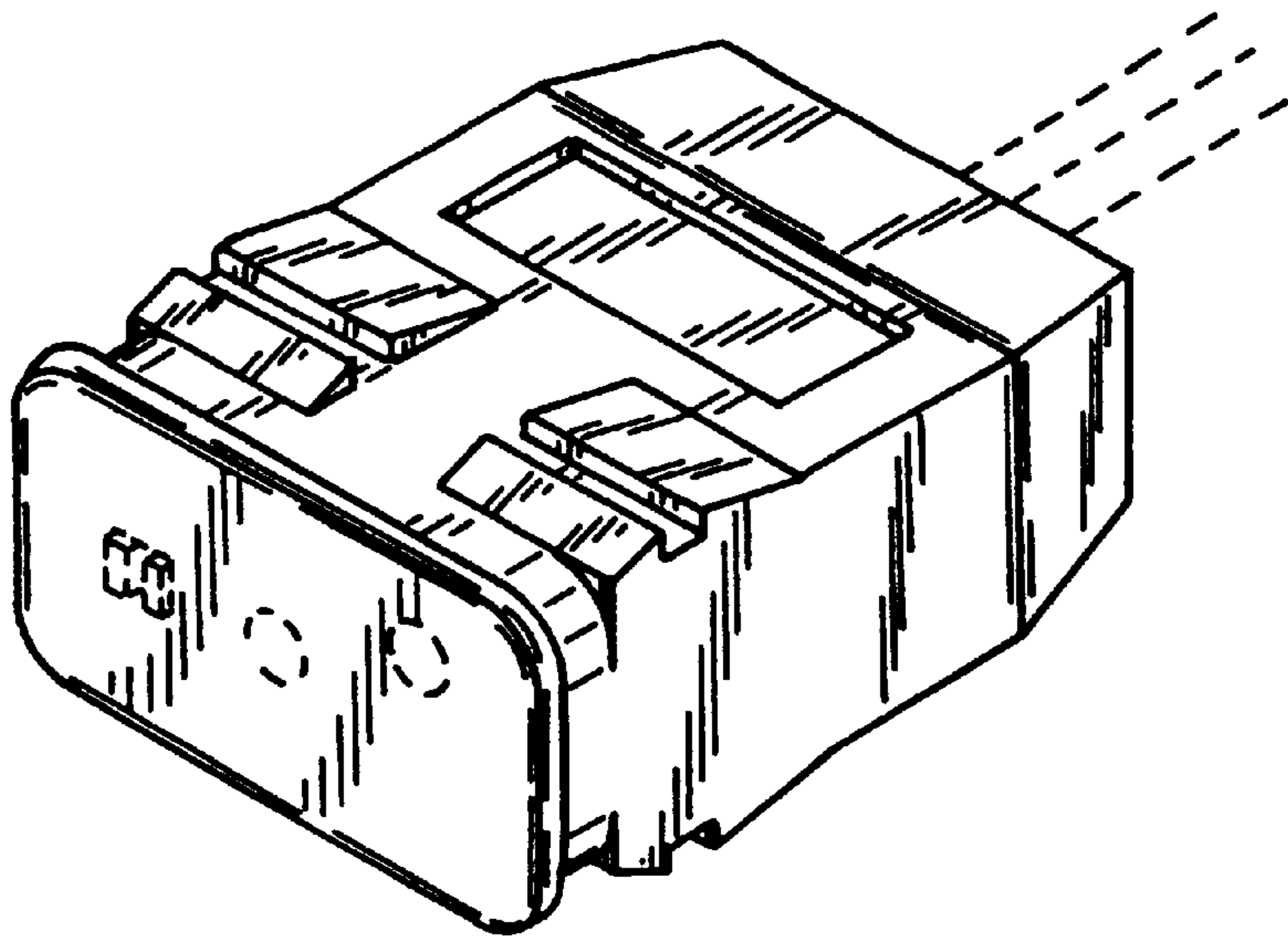
**DESCRIPTION**

FIG. 1 is a perspective view of the environmentally sealed electrical connector housing design;  
 FIG. 2 is a front view of the environmentally sealed electrical connector housing of FIG. 1;  
 FIG. 3 is a top view of the environmentally sealed electrical connector housing of FIG. 1;  
 FIG. 4 is a left side view of the environmentally sealed electrical connector housing of FIG. 1;  
 FIG. 5 is a right side view of the environmentally sealed electrical connector housing of FIG. 1;  
 FIG. 6 is a rear view of the environmentally sealed electrical connector housing of FIG. 1; and,  
 FIG. 7 is a bottom view of the environmentally sealed electrical connector housing of FIG. 1.

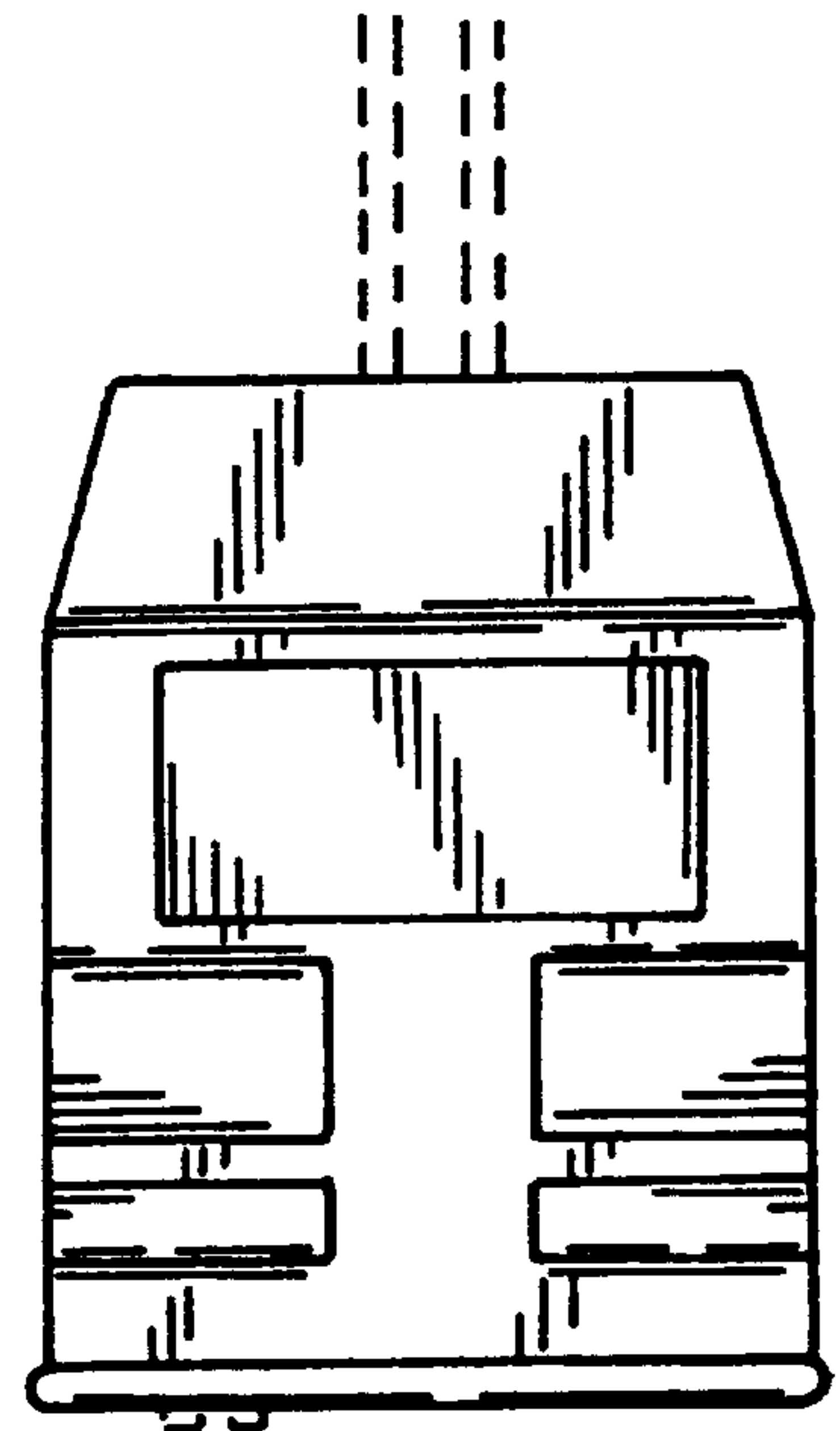
The broken line showing throughout the drawing figures is included for purpose of illustrating environmental structure only and forms no part of the claimed design.

**1 Claim, 2 Drawing Sheets**

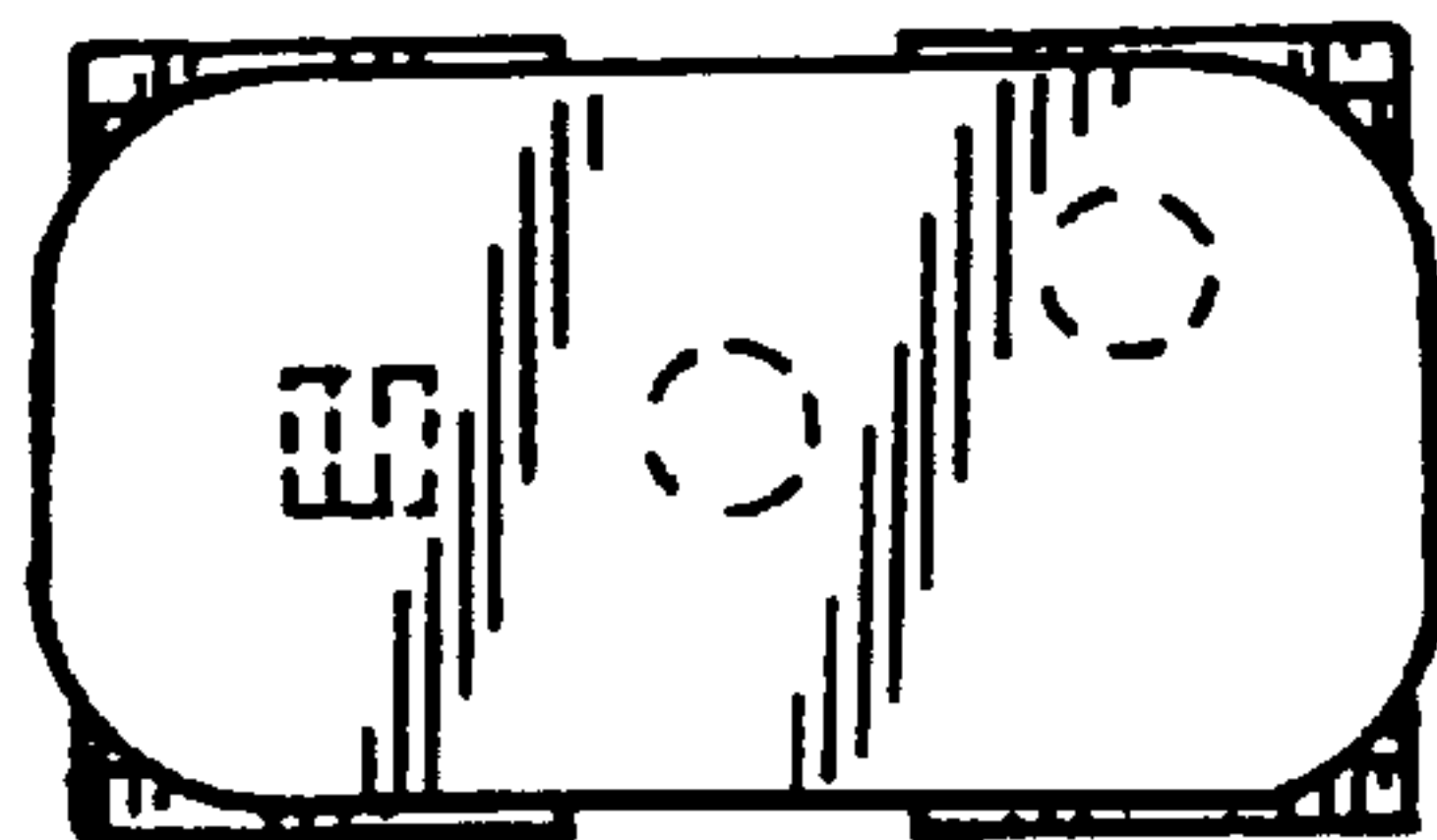




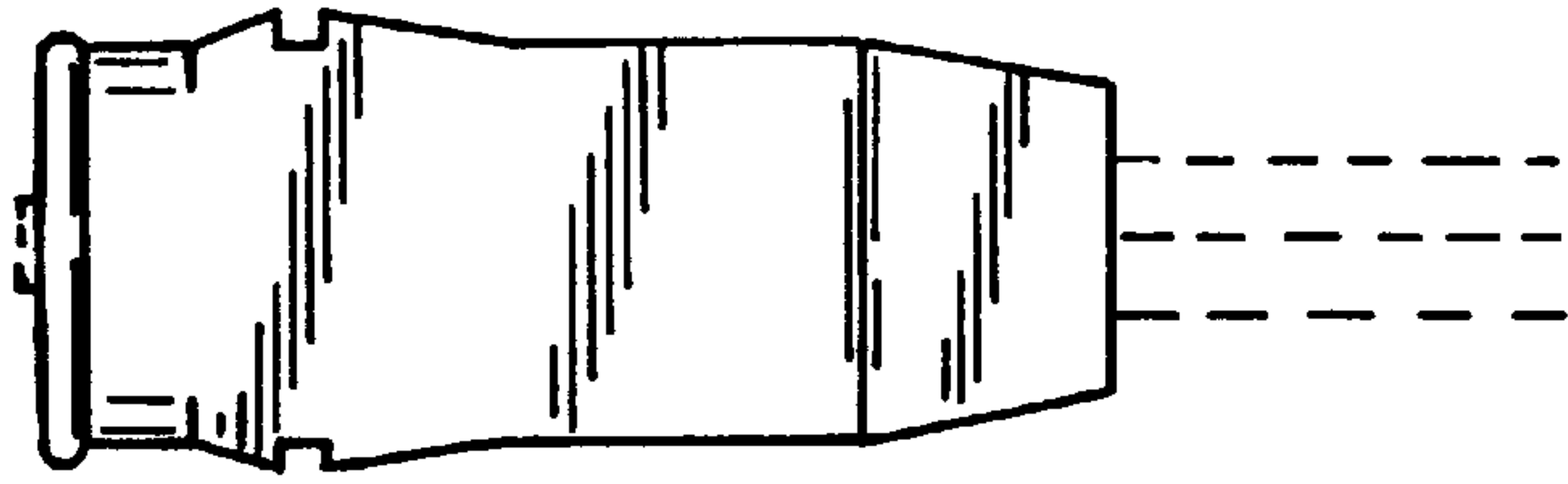
*FIG. 1*



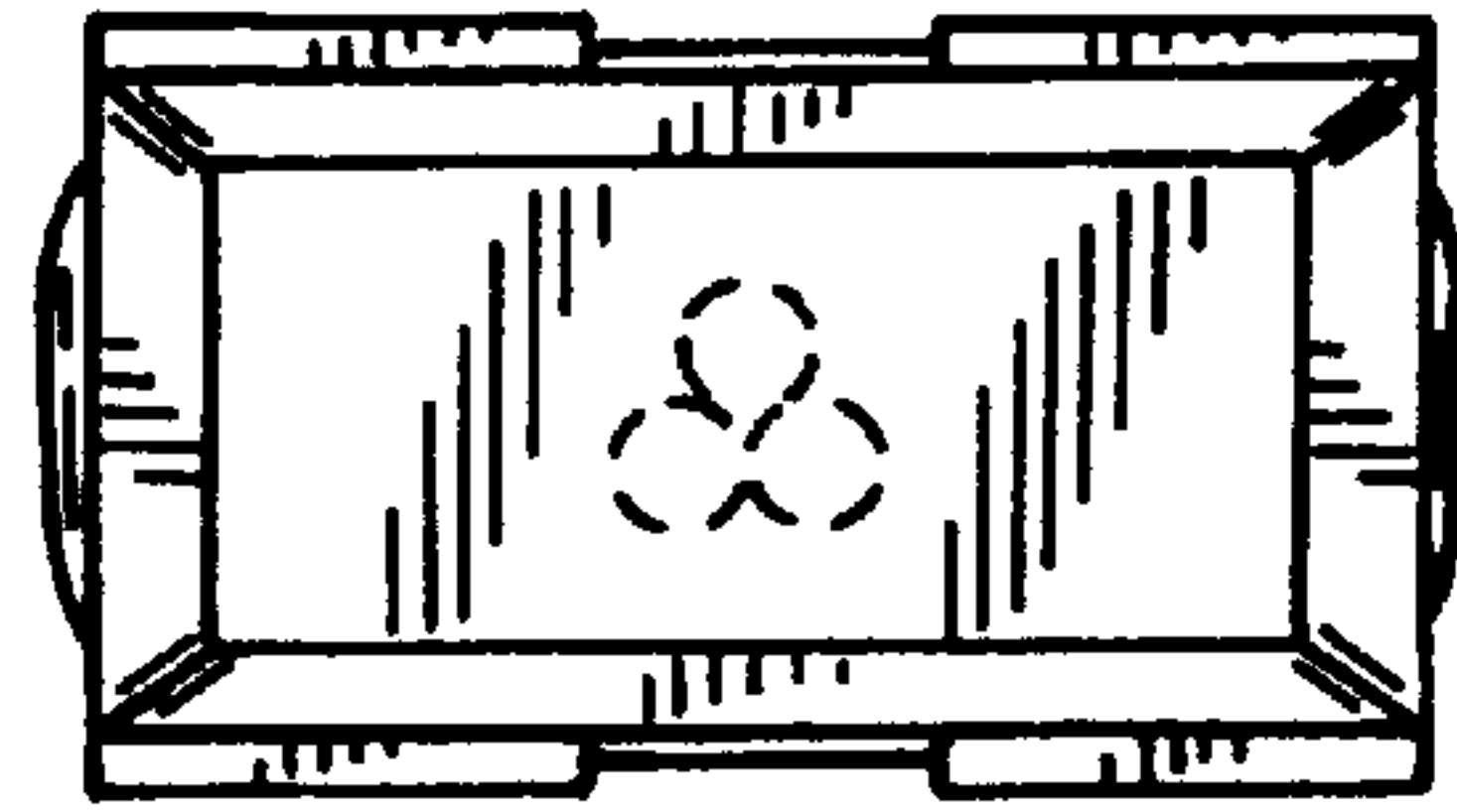
*FIG. 3*



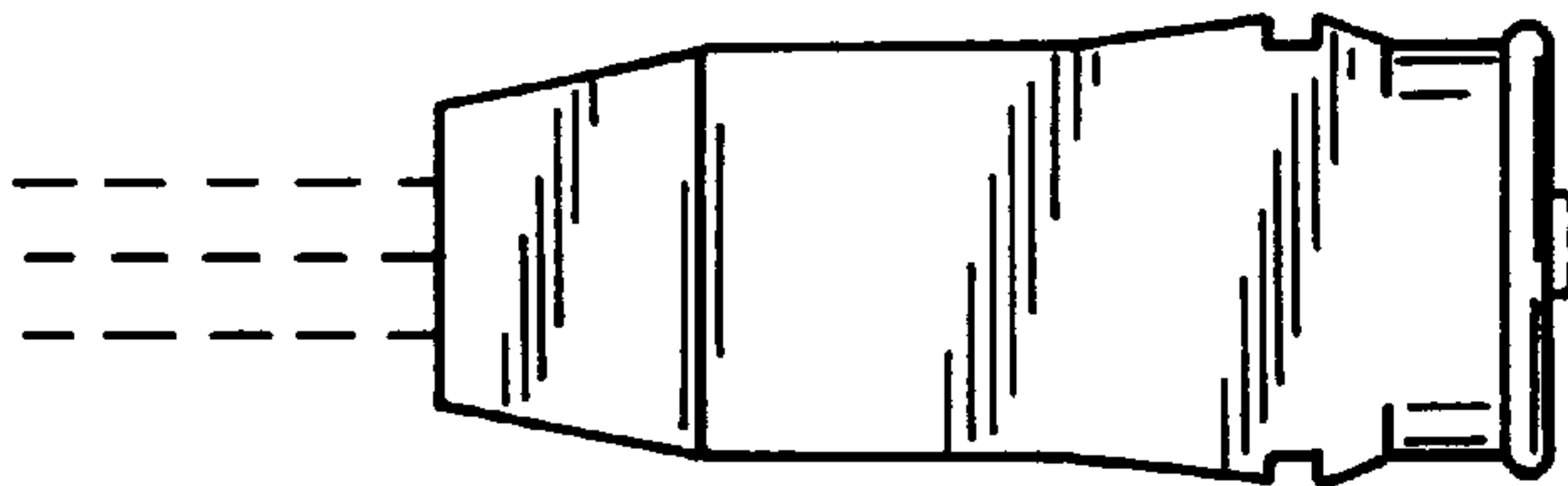
*FIG. 2*



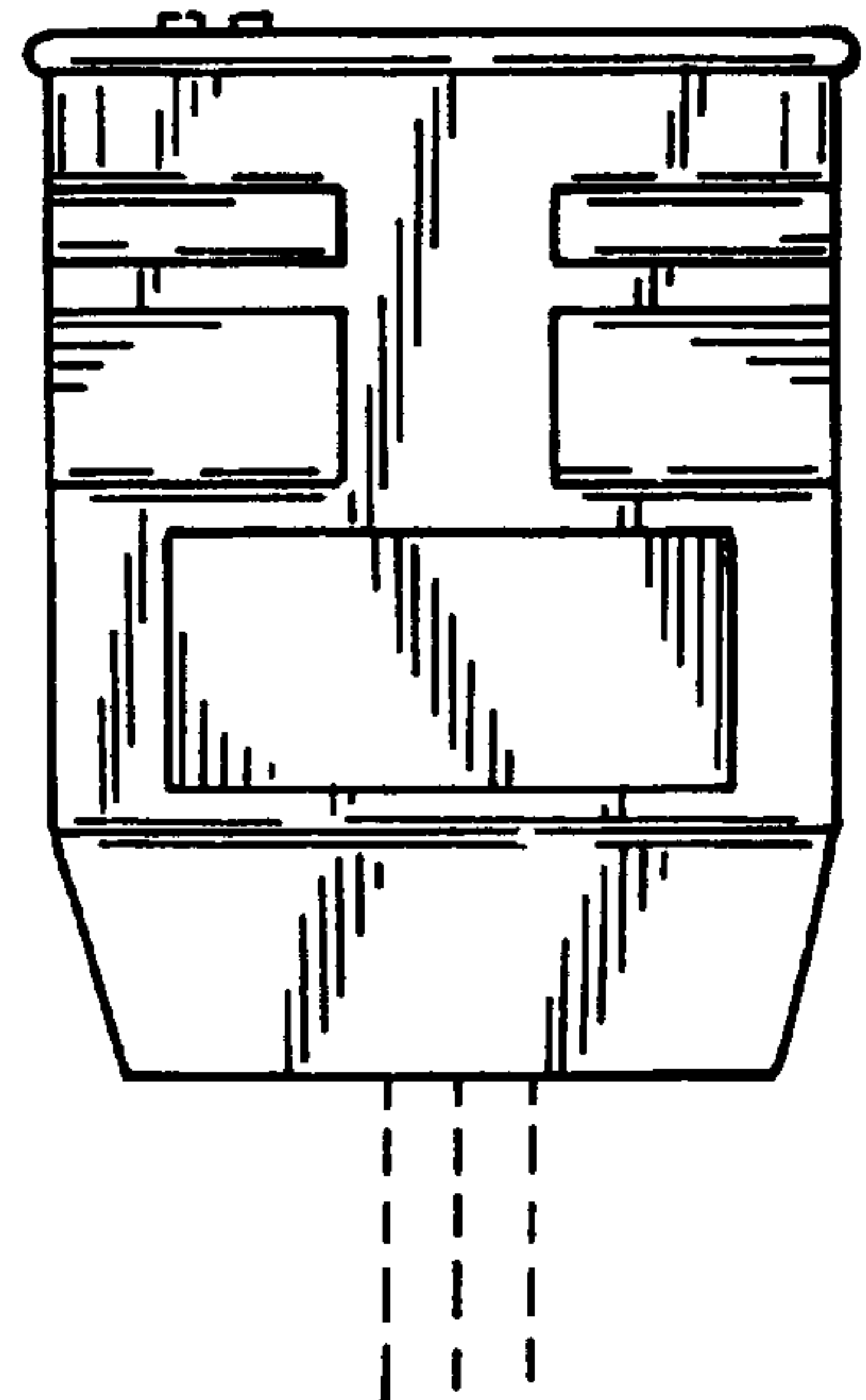
*FIG. 4*



*FIG. 6*



*FIG. 5*



*FIG. 7*