



US00D439218S

(12) **United States Design Patent**  
**Yu**

(10) **Patent No.:** **US D439,218 S**

(45) **Date of Patent:** **\*\* Mar. 20, 2001**

(54) **RECHARGEABLE BATTERY PACK WITH VIBRATOR AND SPEAKER FOR HANDHELD ELECTRONIC GAMES**

D. 420,008 \* 2/2000 Lohrding et al. .... D14/240  
D. 423,448 \* 4/2000 Yu ..... D13/103  
D. 424,512 \* 5/2000 Ho ..... D13/103  
D. 430,106 \* 8/2000 Lee ..... D13/103

(75) Inventor: **Man-Chiu Yu, Kowloon (HK)**

\* cited by examiner

(73) Assignee: **Storm Electronics Company Limited, Hong Kong (HK)**

*Primary Examiner*—Joel Sincavage

(74) *Attorney, Agent, or Firm*—Alix, Yale & Ristas, LLP

(\*\*) Term: **14 Years**

(57) **CLAIM**

(21) Appl. No.: **29/126,136**

The ornamental design for a rechargeable battery pack with vibrator and speaker for handheld electronic games, as shown and described.

(22) Filed: **Jul. 7, 2000**

(30) **Foreign Application Priority Data**

**DESCRIPTION**

Apr. 17, 2000 (HK) ..... 0010464

(51) **LOC (7) Cl.** ..... **13-02**

FIG. 1 is a perspective view of a rechargeable battery pack with vibrator and speaker for handheld electronic games showing my new design;

(52) **U.S. Cl.** ..... **D13/103; D21/333**

FIG. 2 is a top plan view thereof;

(58) **Field of Search** ..... D13/103, 119; D21/333; 429/96-100, 157, 163, 176

FIG. 3 is a bottom plan view thereof;

FIG. 4 is a left side elevational view thereof;

FIG. 5 is a right side elevational view thereof;

FIG. 6 is a rear elevational view thereof; and,

FIG. 7 is a front elevational view thereof.

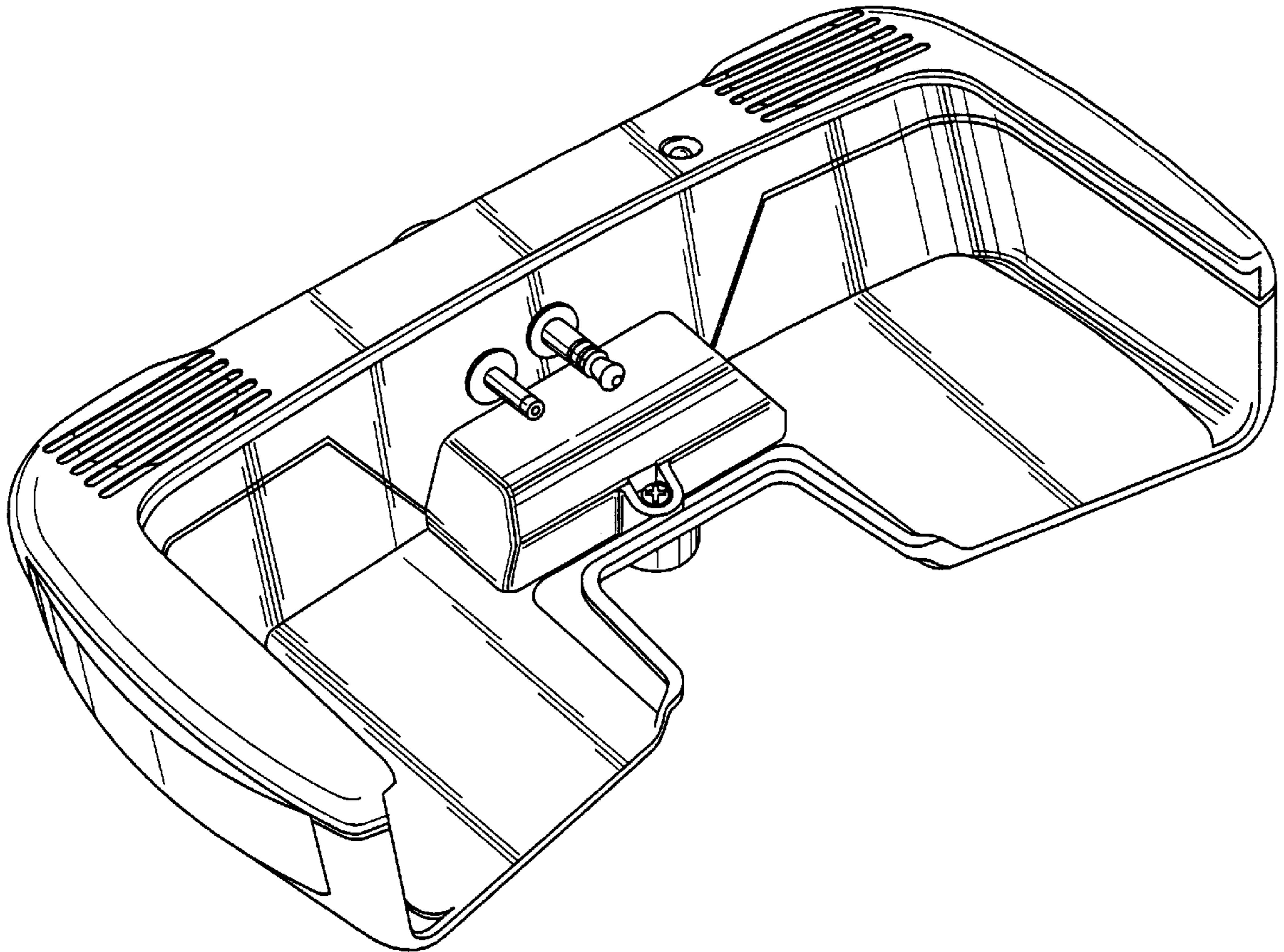
(56) **References Cited**

**U.S. PATENT DOCUMENTS**

D. 320,018 \* 9/1991 Bakanowsky, III ..... D14/172

D. 397,670 \* 9/1998 Davies et al. .... D13/103

**1 Claim, 4 Drawing Sheets**



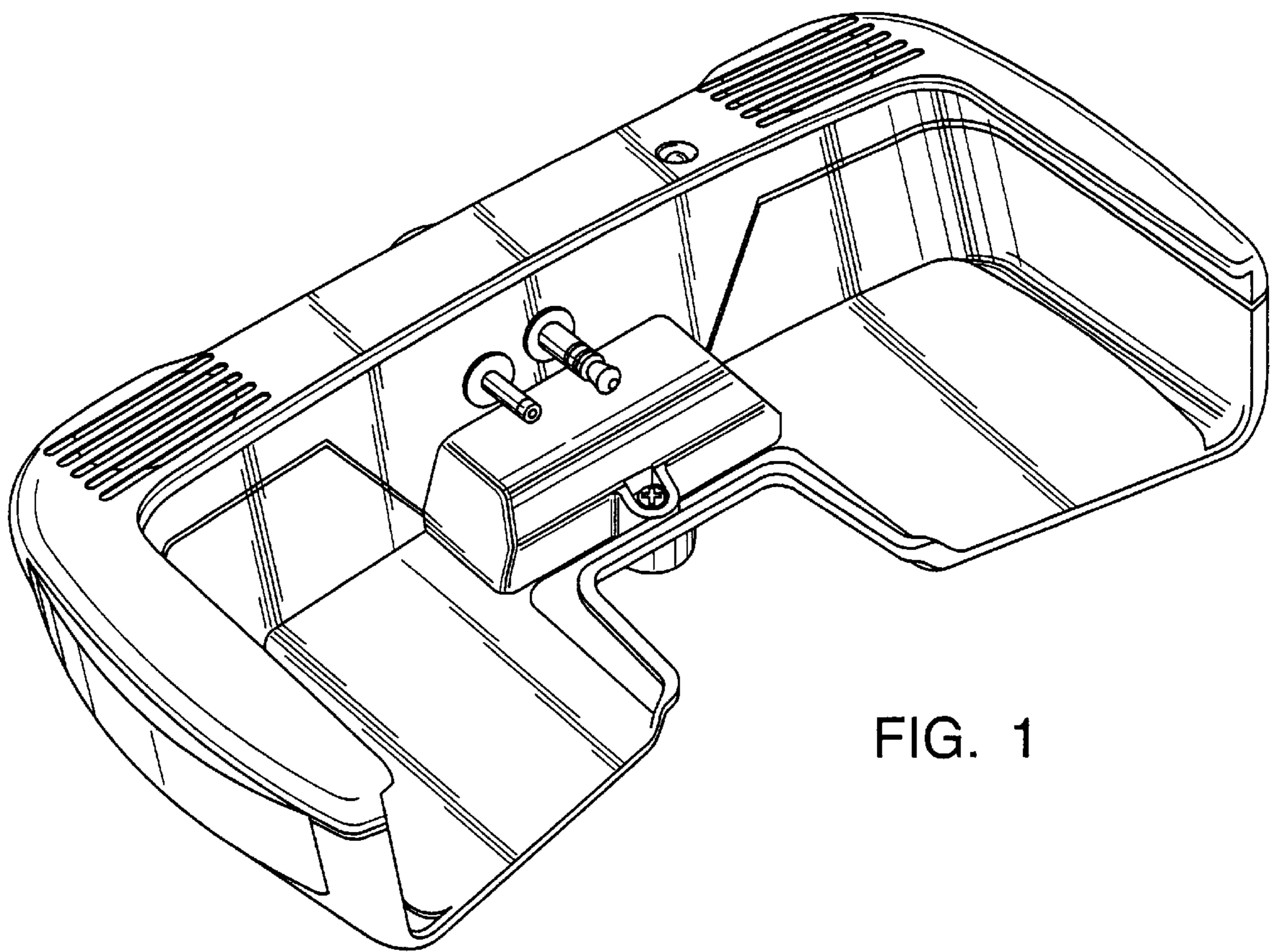


FIG. 1

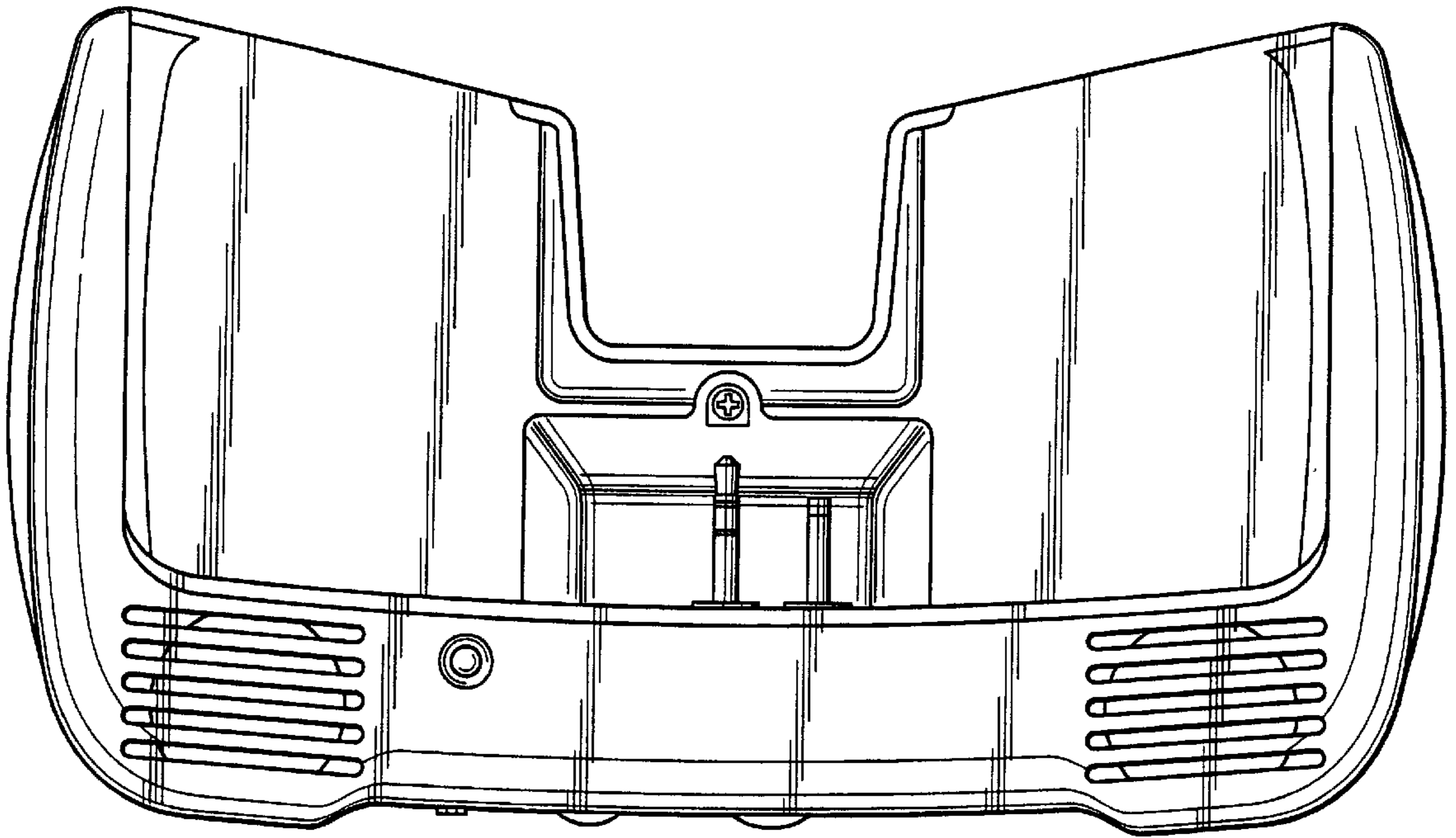


FIG. 2

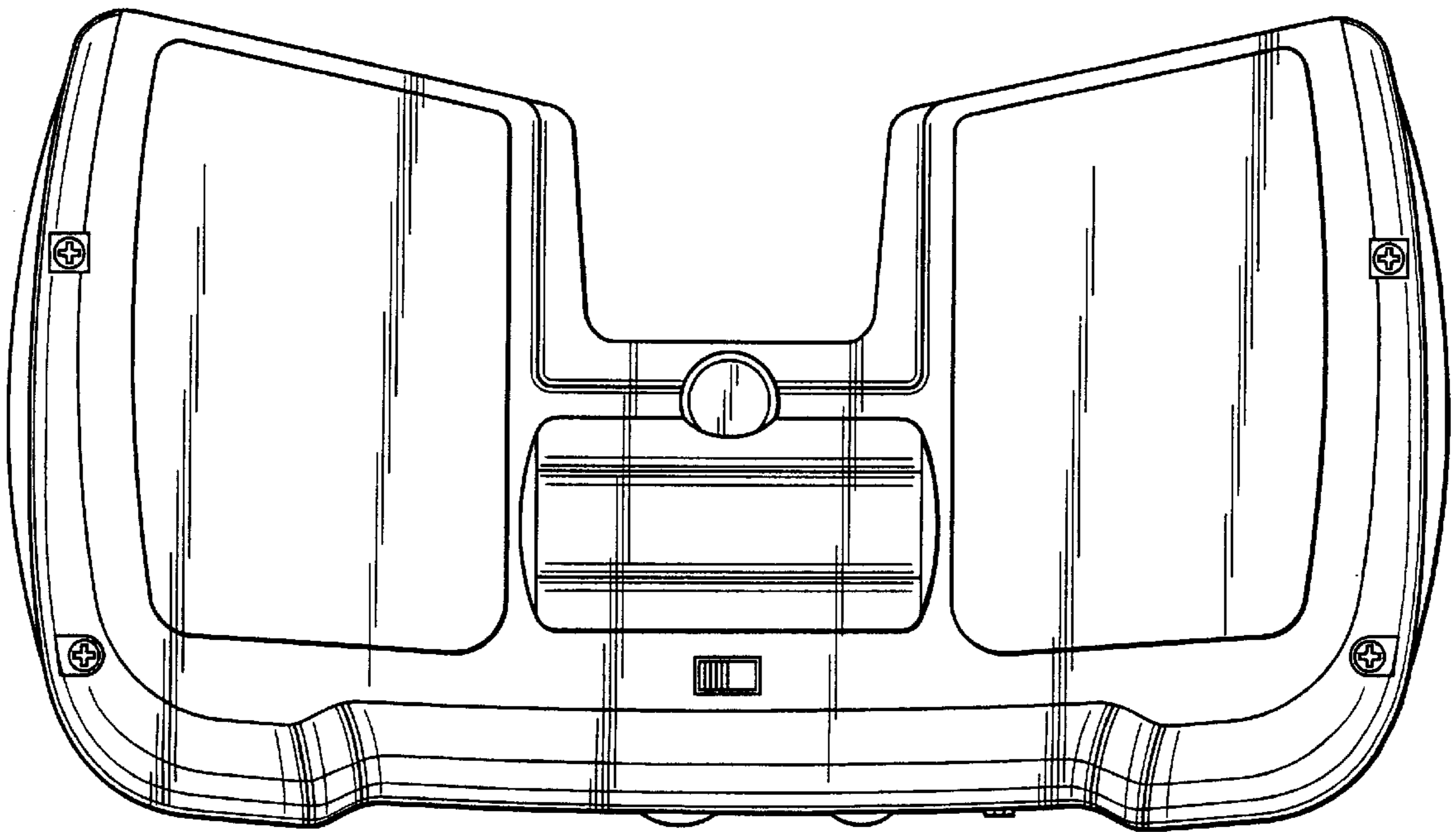


FIG. 3

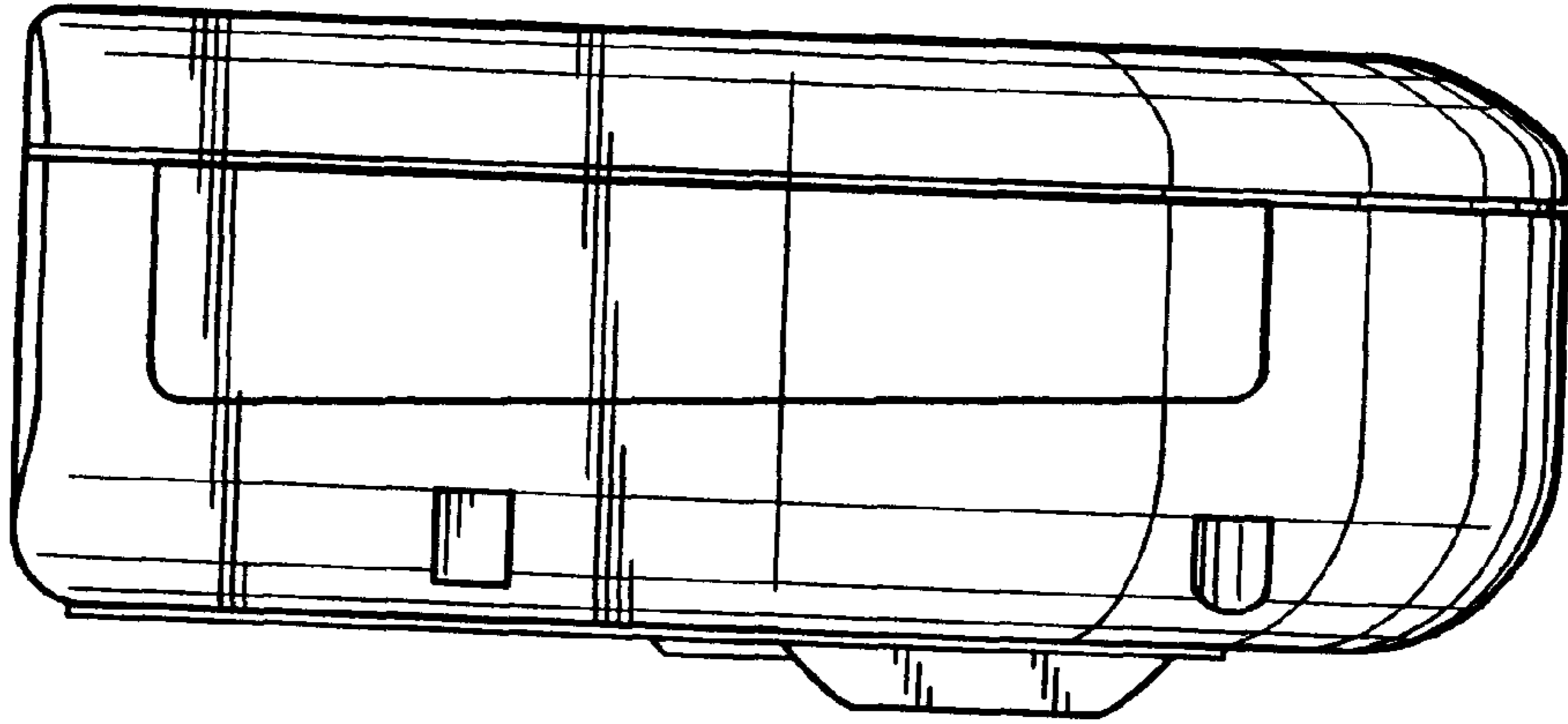


FIG. 4

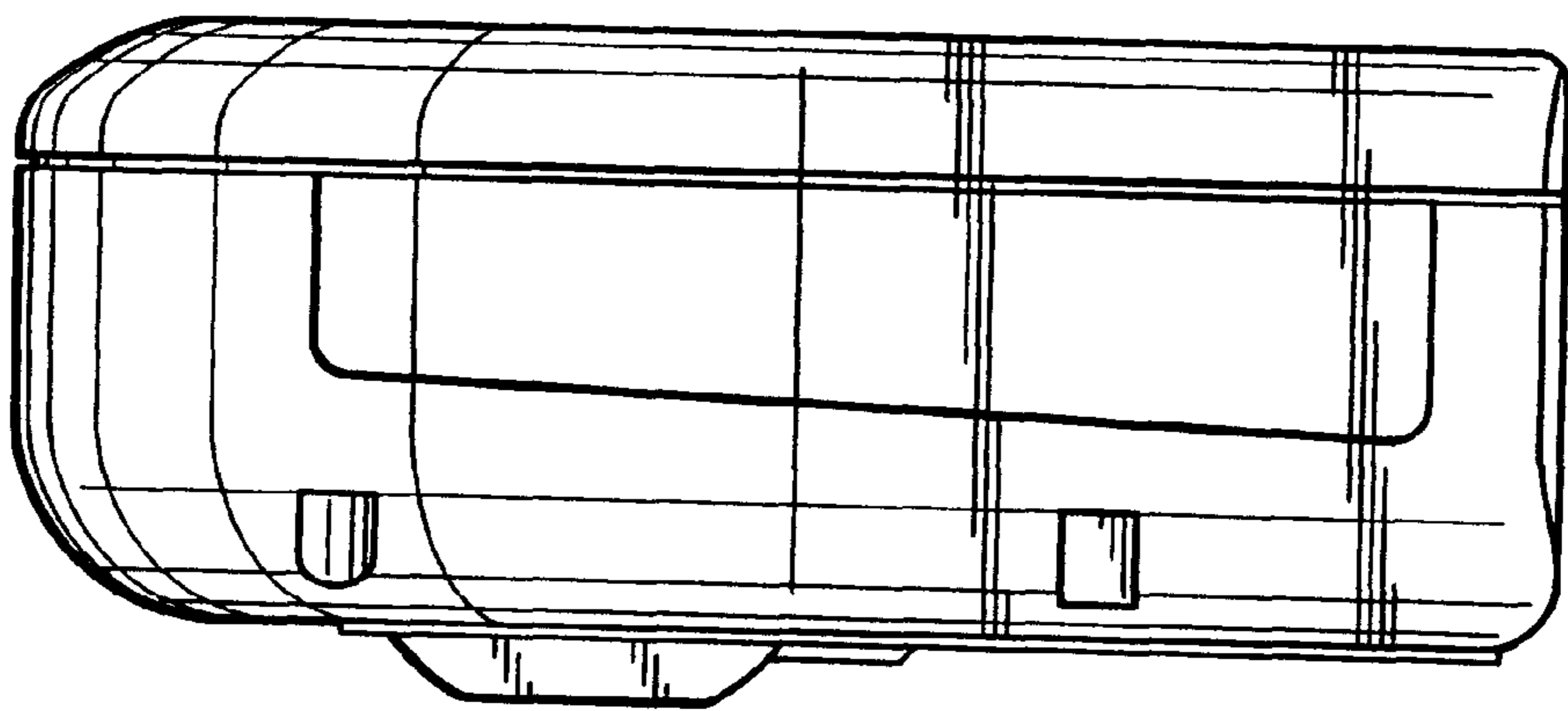


FIG. 5

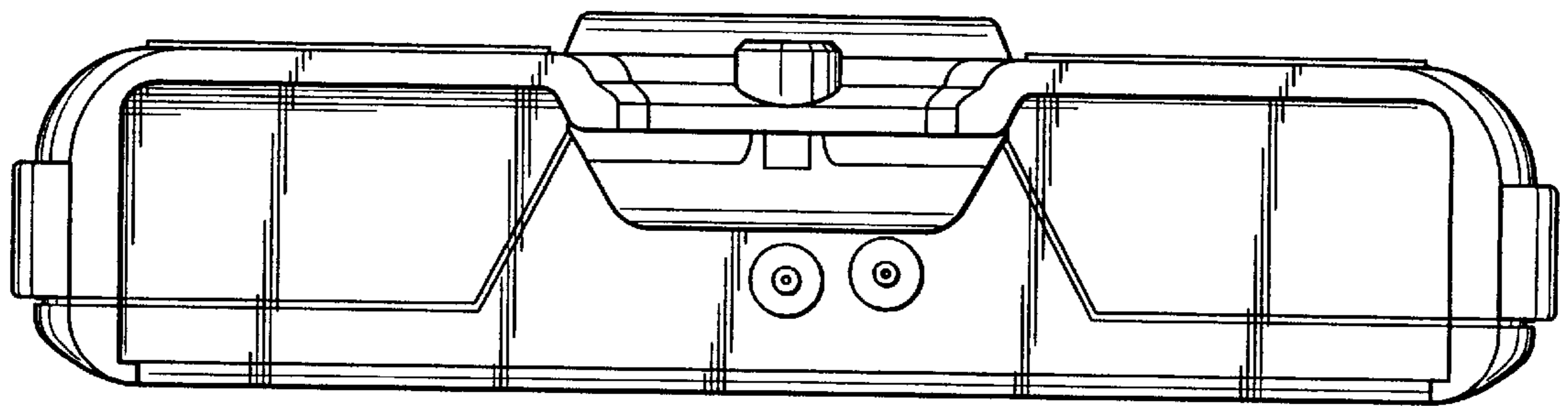


FIG. 6

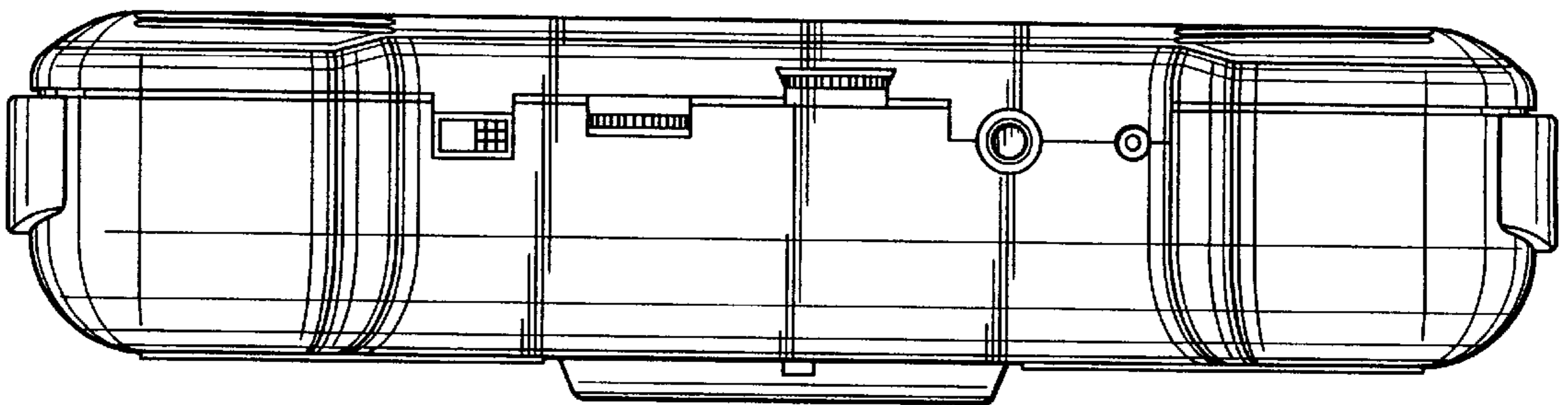


FIG. 7