



US00D439213S

(12) **United States Design Patent**
Huang

(10) **Patent No.:** **US D439,213 S**

(45) **Date of Patent:** **** Mar. 20, 2001**

(54) **WHEEL NUT COVER**

(75) **Inventor:** **Nan Huang Huang**, Rancho Palos Verdes, CA (US)

(73) **Assignee:** **Grand General Accessories Manufacturing Inc.**, Compton, CA (US)

(**) **Term:** **14 Years**

(21) **Appl. No.:** **29/119,506**

(22) **Filed:** **Mar. 1, 2000**

(51) **LOC (7) Cl.** **12-16**

(52) **U.S. Cl.** **D12/213**

(58) **Field of Search** D12/400, 204, D12/213; 301/37.1, 37.37, 37.42, 108.1-108.4; 411/13-14, 372-377, 429-431, 903, 910; 403/11, 23; D8/397; D9/435

(56) **References Cited**

U.S. PATENT DOCUMENTS

D. 157,484	*	2/1950	Gade	D12/213
D. 350,524	*	9/1994	Bias	D12/213
4,775,272	*	10/1988	Toth	411/429
5,163,797	*	11/1992	Patti	411/431

5,590,992	*	1/1997	Russell	411/431
5,810,532	*	9/1998	Huang	411/431
5,857,818	*	1/1999	Bias, Sr.	411/431
5,980,178	*	11/1999	Ono	411/373

* cited by examiner

Primary Examiner—Stacia Cadmus

(74) *Attorney, Agent, or Firm*—Thomas I. Rozsa; Tony D. Chen; Jerry Fong

(57) **CLAIM**

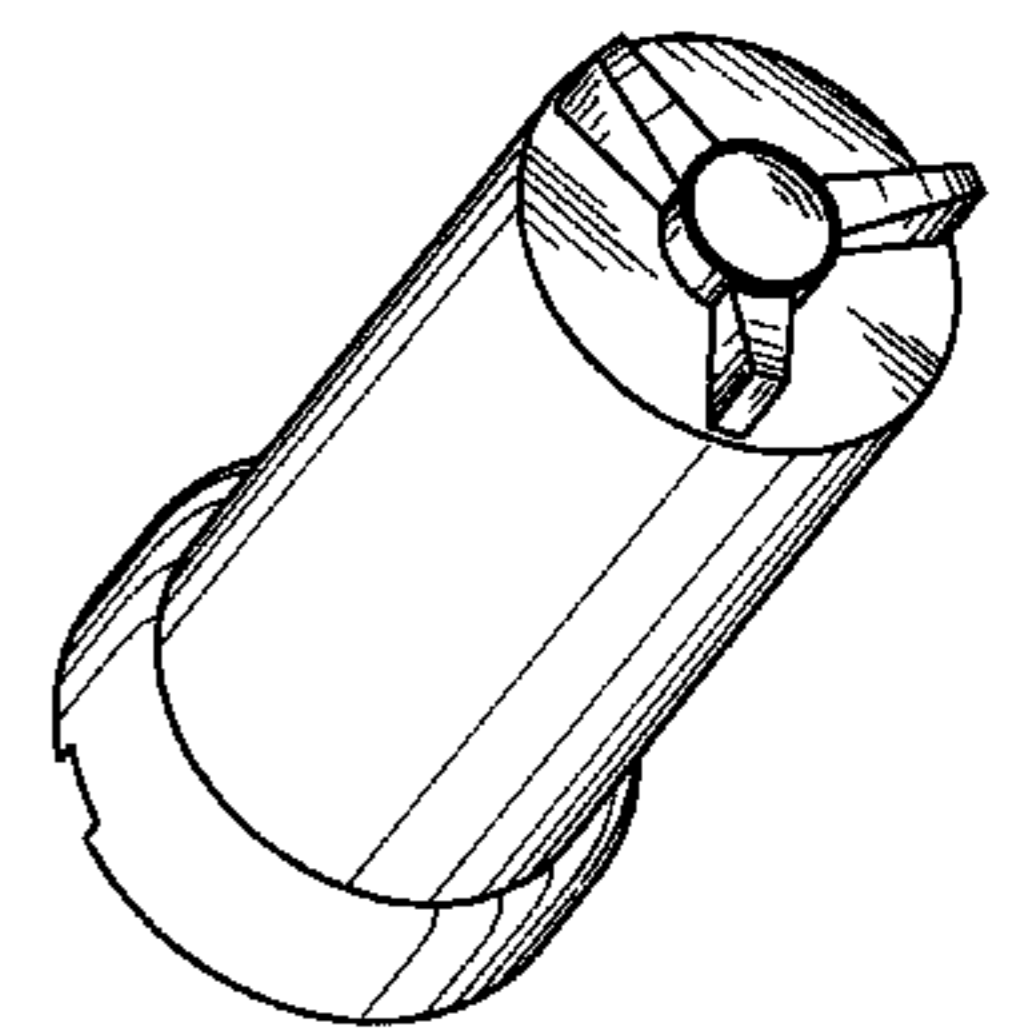
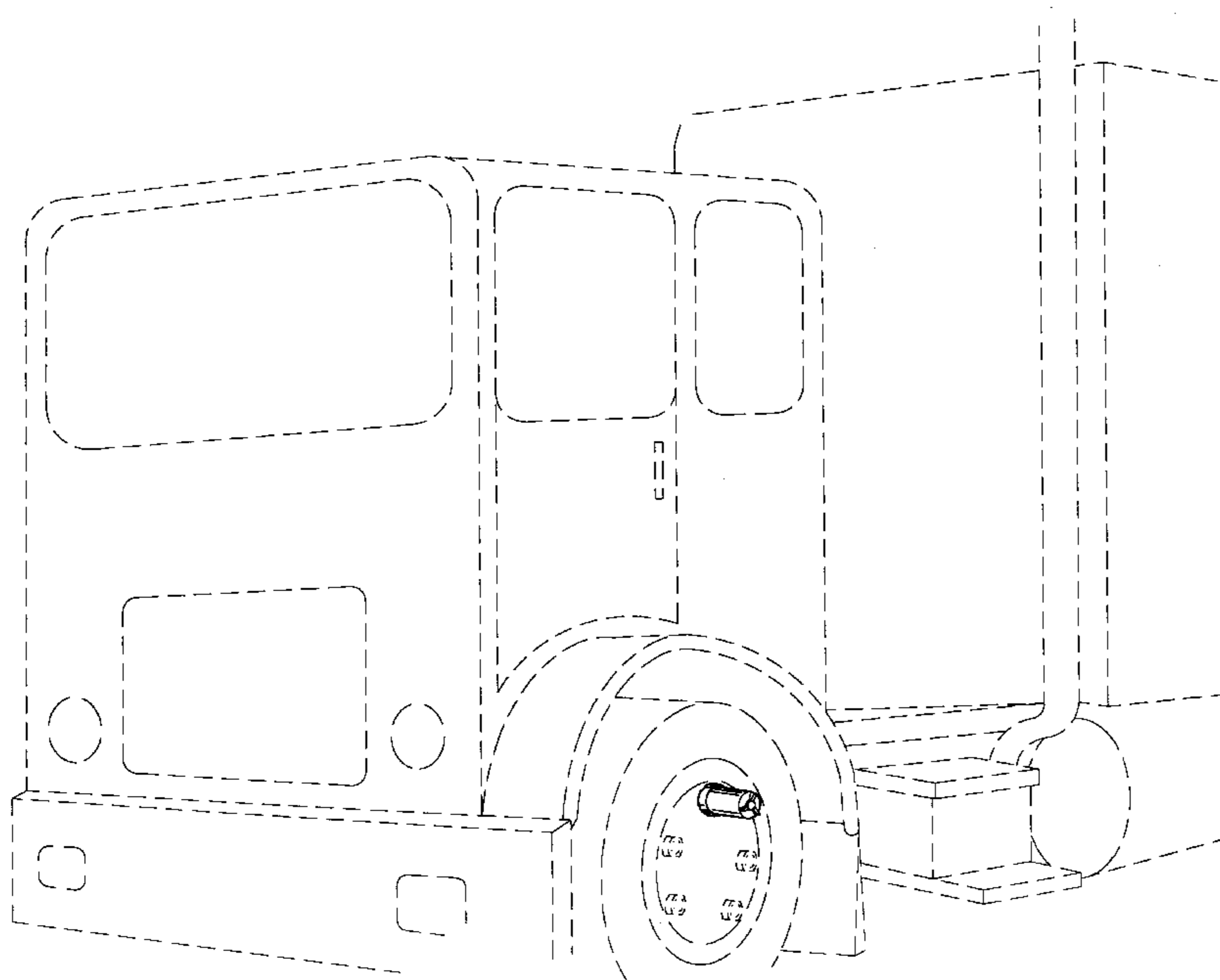
The ornamental design for a wheel nut cover, as shown and described.

DESCRIPTION

FIG. 1 is a perspective view of a wheel nut cover showing my new design, shown in its position of use;
FIG. 2 is an enlarged perspective view thereof;
FIG. 3 is an enlarged side view thereof;
FIG. 4 is an enlarged side view thereof, opposite the side of FIG. 3;
FIG. 5 is an enlarged front view thereof;
FIG. 6 is an enlarged top view thereof; and,
FIG. 7 is an enlarged bottom view thereof.

The broken line showing of environment is for illustrative purposes only and forms no part of the claimed design.

1 Claim, 2 Drawing Sheets



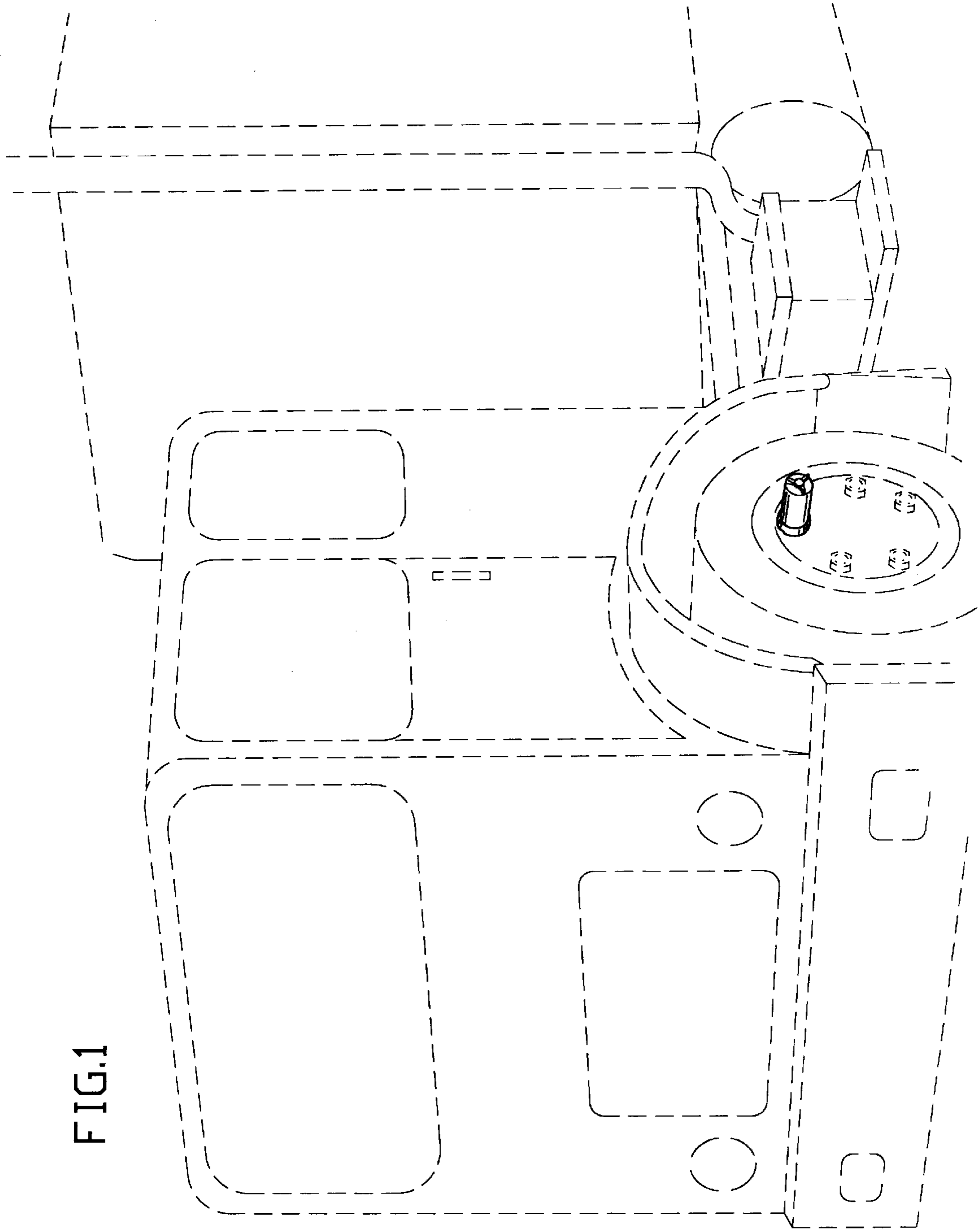


FIG. 1

FIG.2

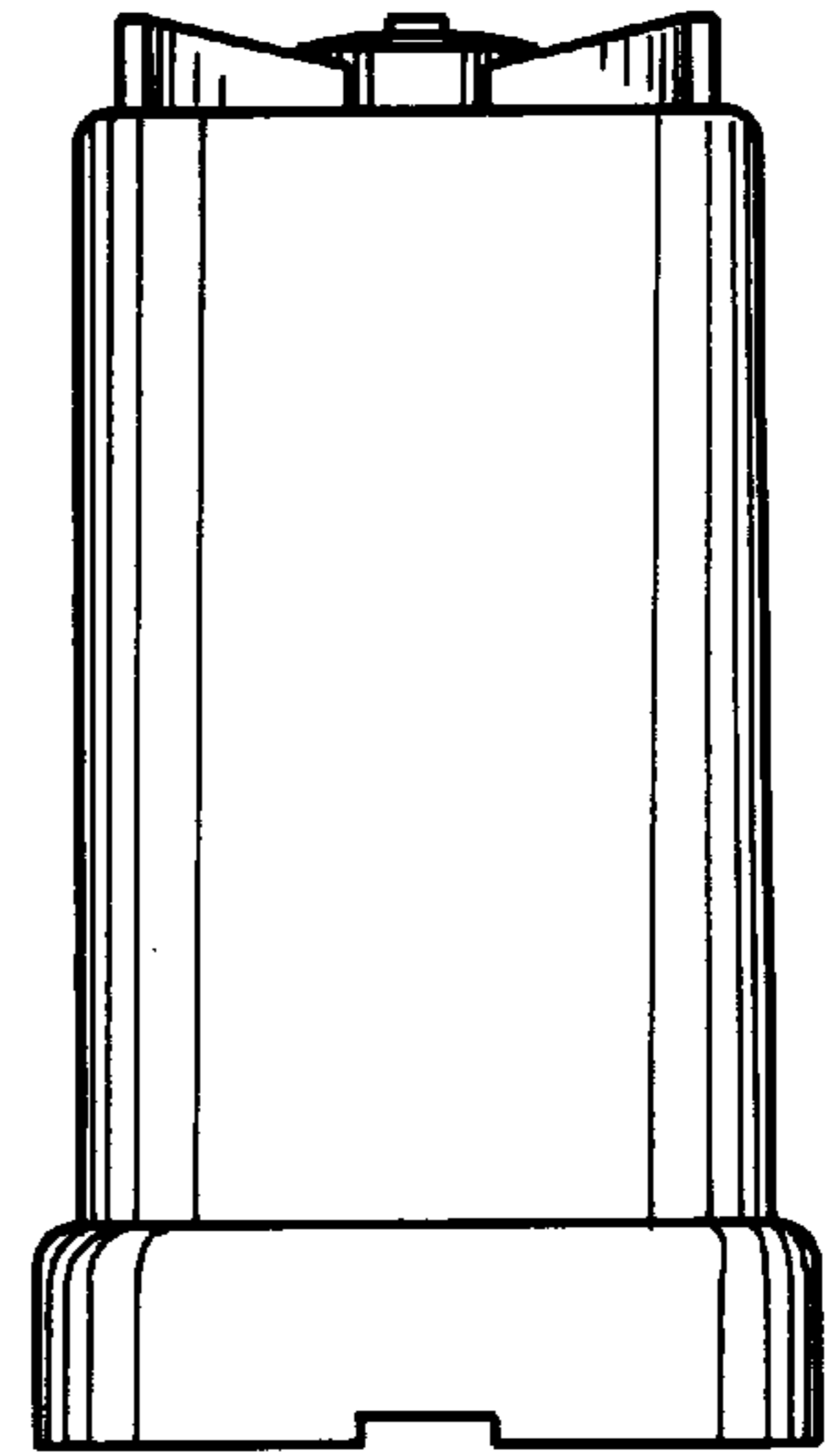
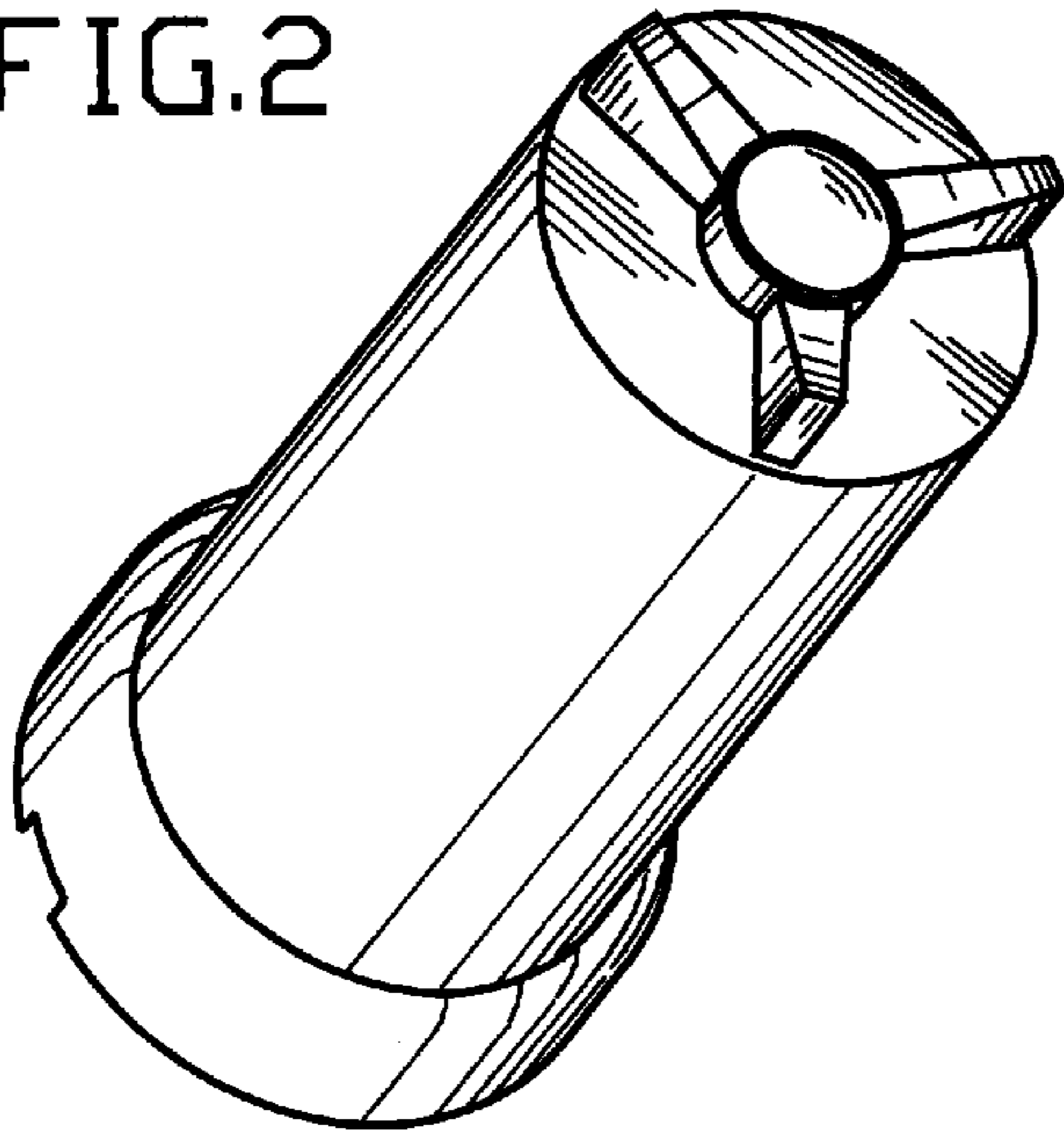


FIG.3

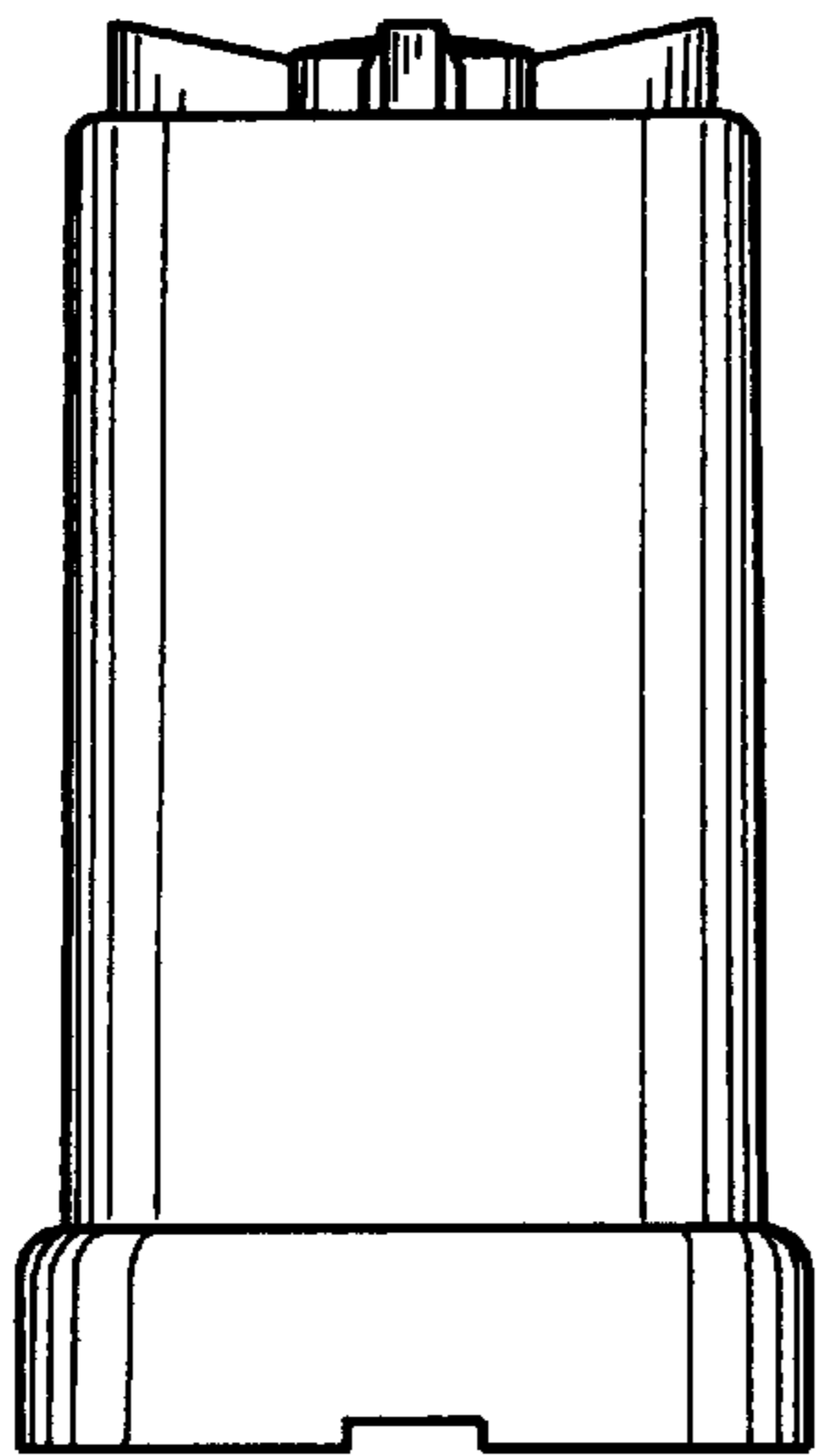


FIG.4

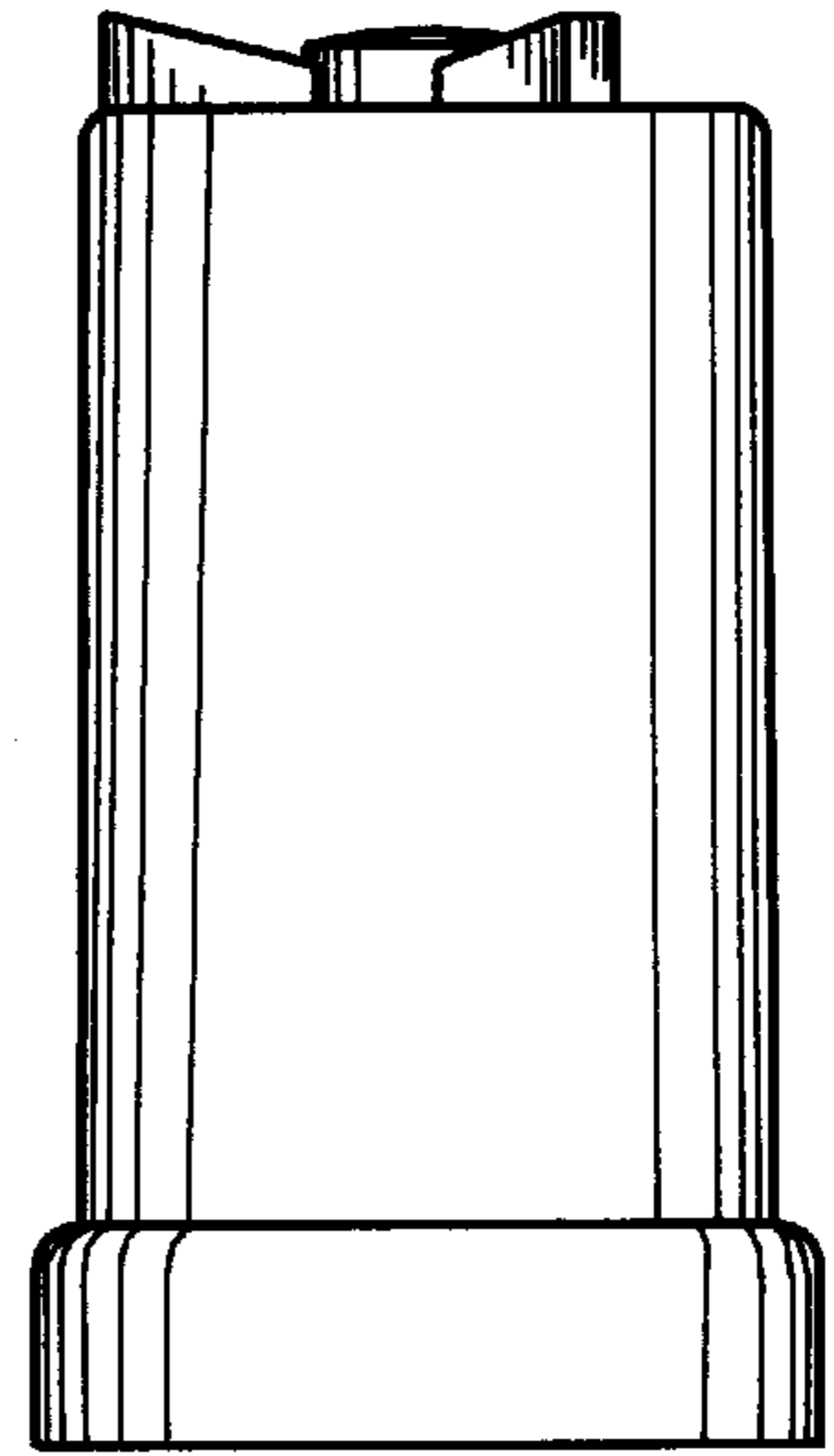


FIG.5

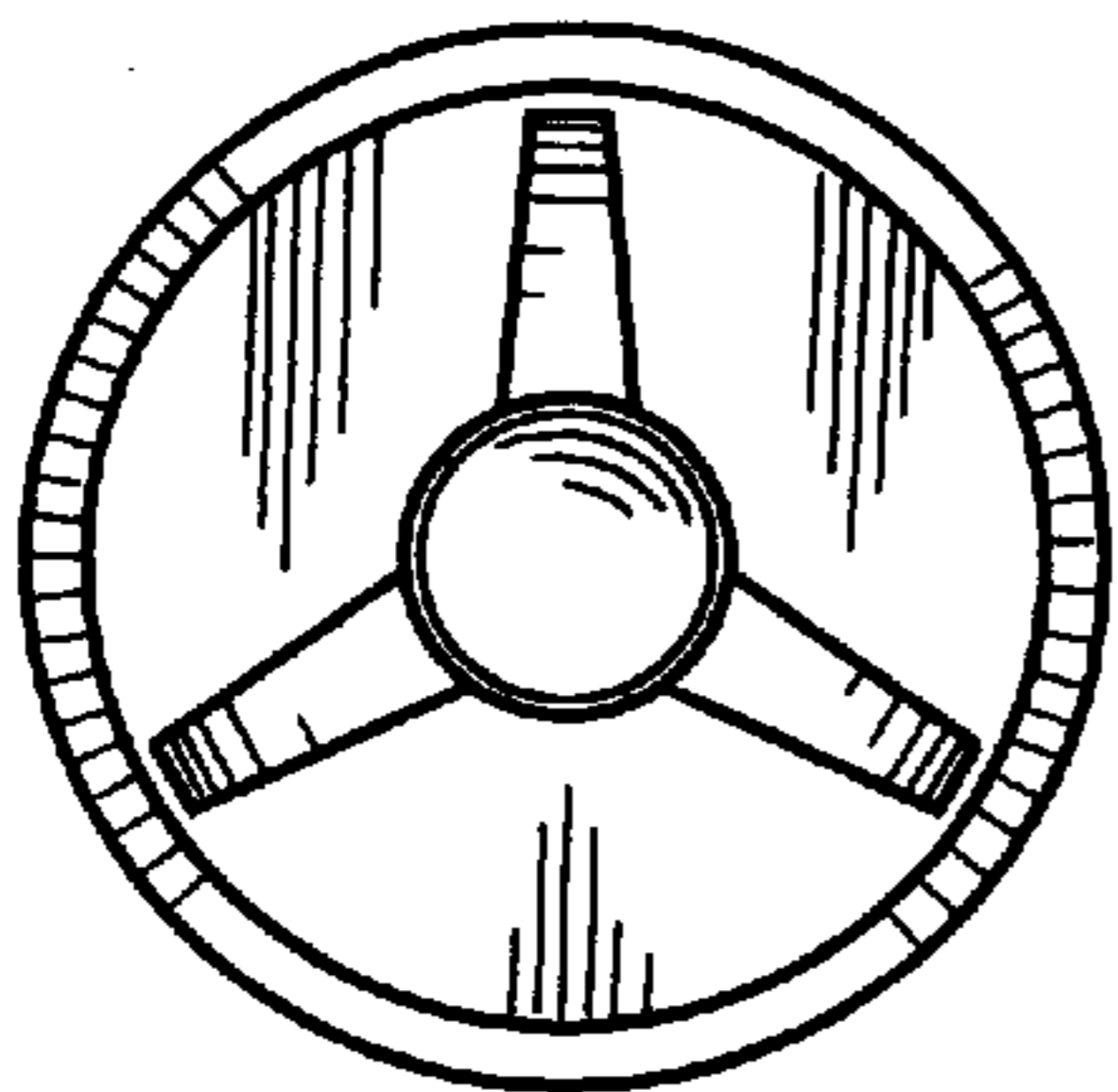


FIG.6

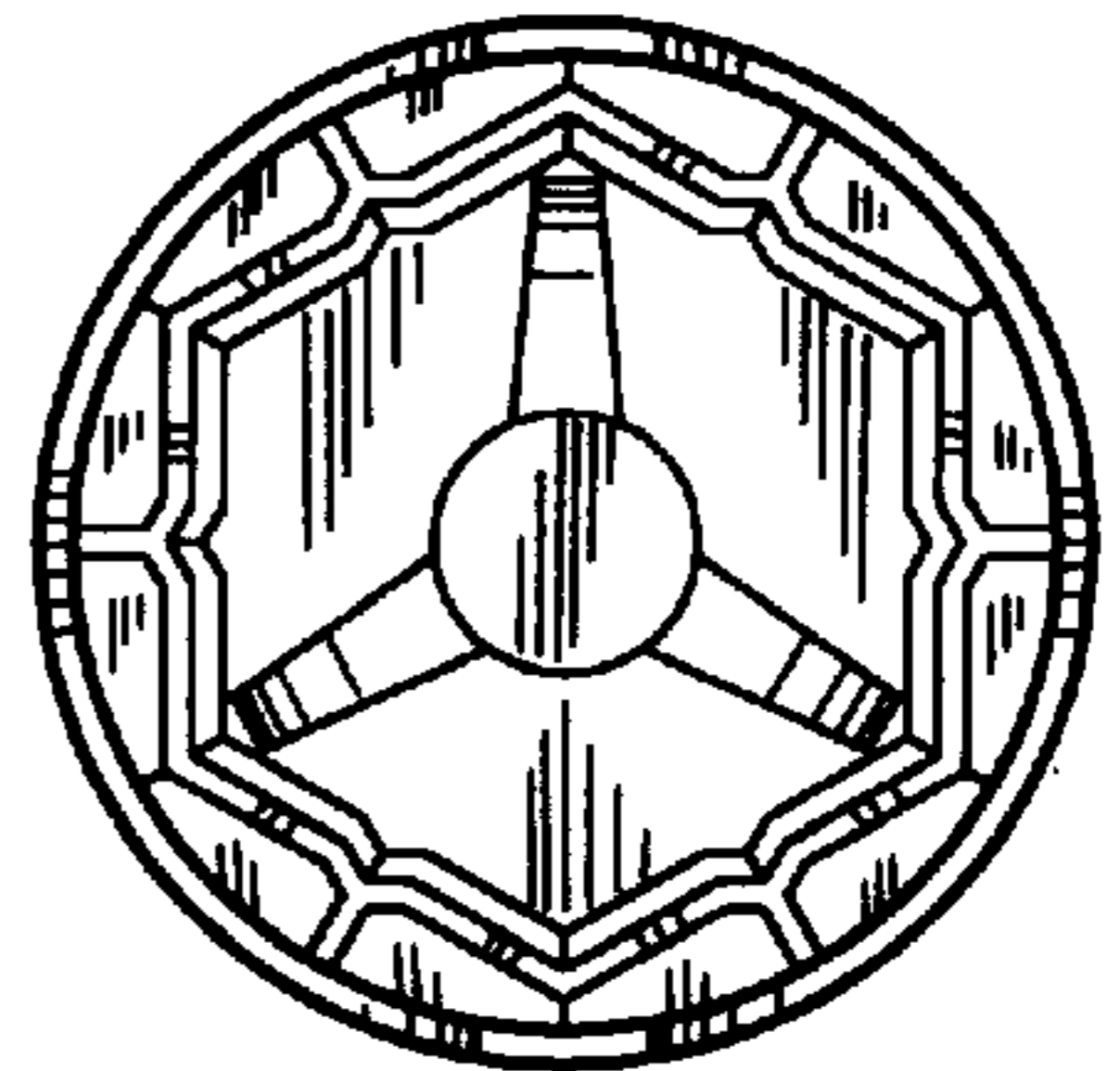


FIG.7