



US00D439208S

(12) **United States Design Patent**
Salwasser

(10) **Patent No.:** **US D439,208 S**

(45) **Date of Patent:** **** Mar. 20, 2001**

(54) **FIFTH-WHEEL HITCH HANDLE**

(76) **Inventor:** **Charles L. Salwasser**, P.O. Box 306,
Randsburg, CA (US) 93554

(**) **Term:** **14 Years**

(21) **Appl. No.:** **29/131,108**

(22) **Filed:** **Oct. 13, 2000**

(51) **LOC (7) Cl.** **12-16**

(52) **U.S. Cl.** **D12/161**

(58) **Field of Search** D12/161, 162,
D12/400, 179; 280/433, 407, 438.1; 294/26;
254/113-123; D8/88, 330-331, 343

(56) **References Cited**

U.S. PATENT DOCUMENTS

- D. 307,734 * 5/1990 Ethridge D12/161
- D. 339,090 * 9/1993 Gardenhour, Jr. et al. D12/162 X
- D. 377,924 * 2/1997 Christensen D12/161

* cited by examiner

Primary Examiner—Stacia Cadmus

(74) *Attorney, Agent, or Firm*—James M. Duncan

(57) **CLAIM**

The ornamental design for a fifth-wheel hitch handle, as shown and described.

DESCRIPTION

The claimed hitch handle is used to assist in disengaging a trailer with a fifth wheel hitch assembly from the towing vehicle.

FIG. 1 is an isometric view of a fifth-wheel hitch handle showing our new design;

FIG. 2 is a top plan view thereof;

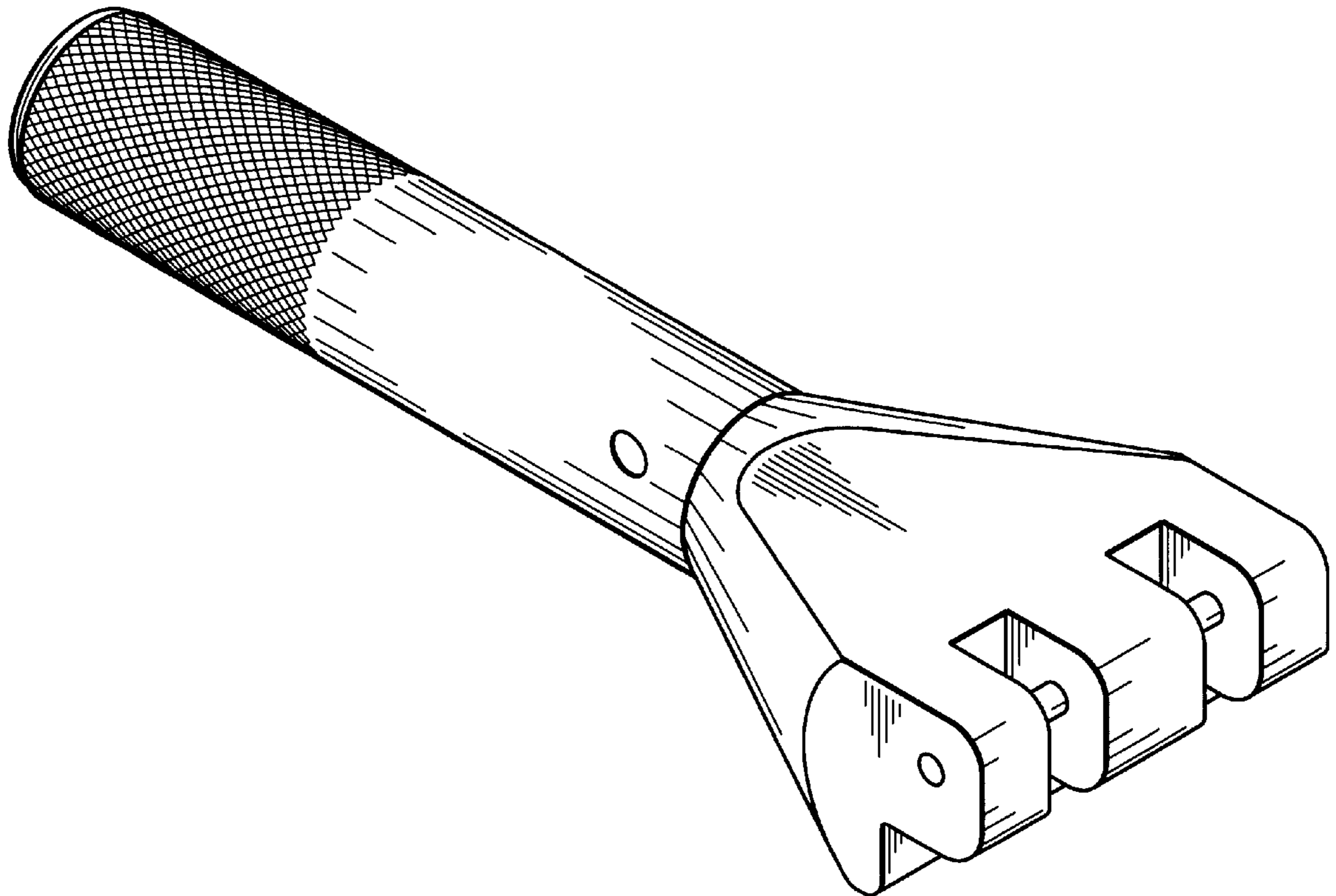
FIG. 3 is a bottom plan view thereof;

FIG. 4 is a front elevational view thereof, the back view being a mirror image of the front view;

FIG. 5 is a right end elevational view thereof; and,

FIG. 6 is a left end elevational view thereof.

1 Claim, 3 Drawing Sheets



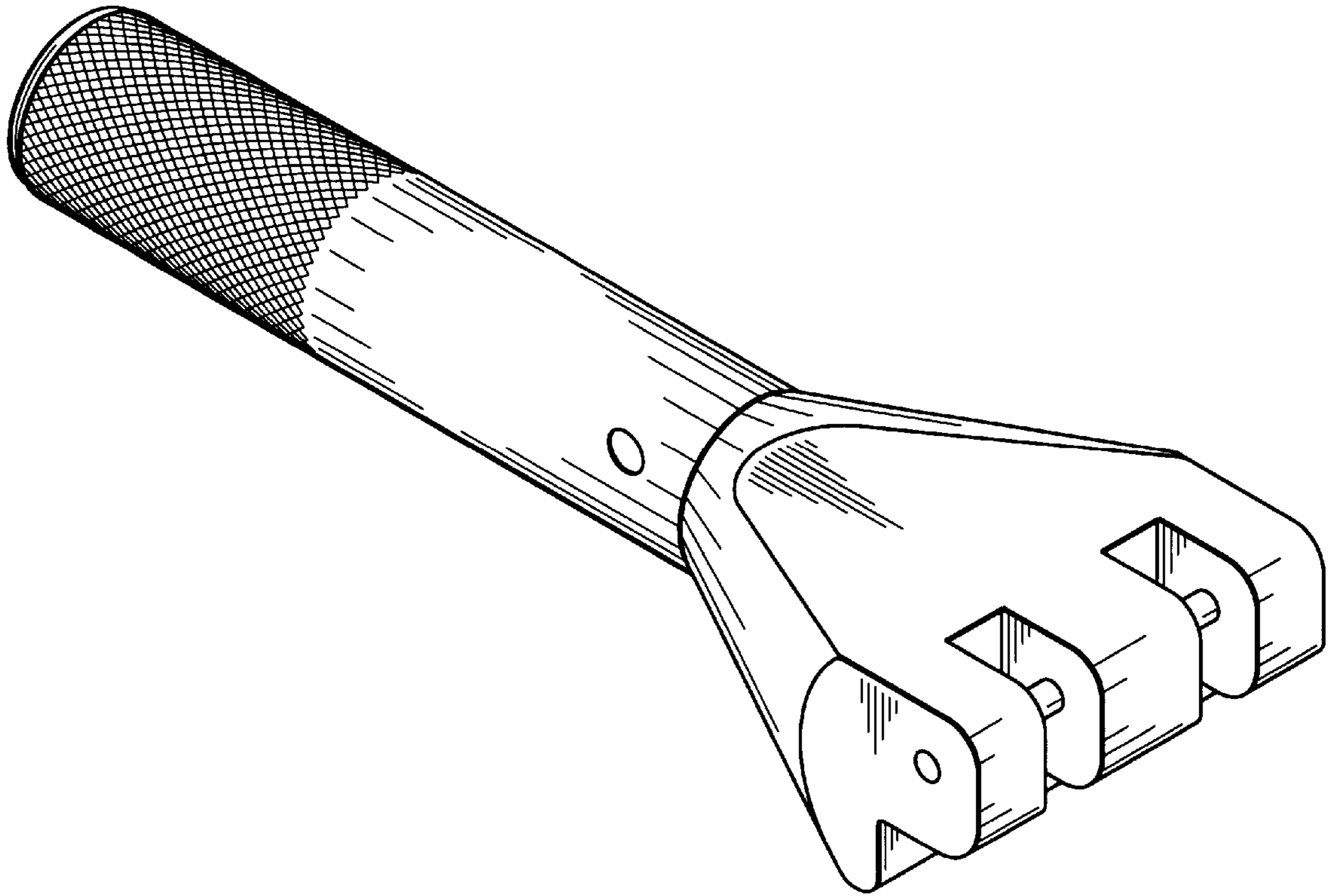


FIG. 1

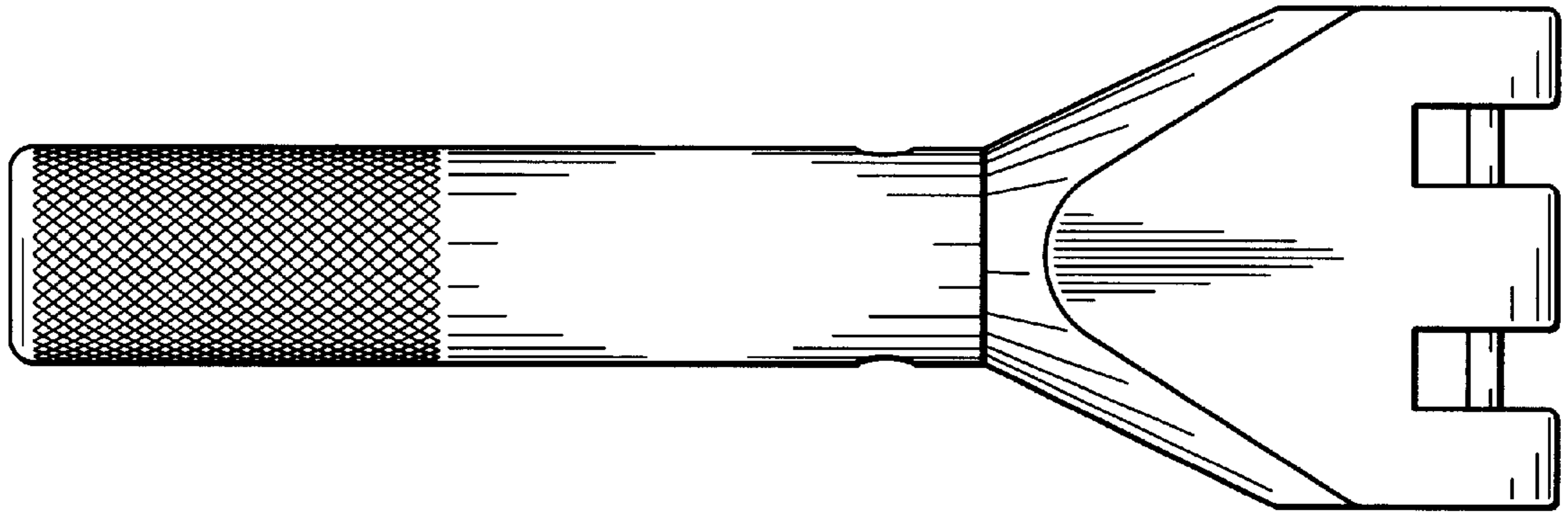


FIG. 2

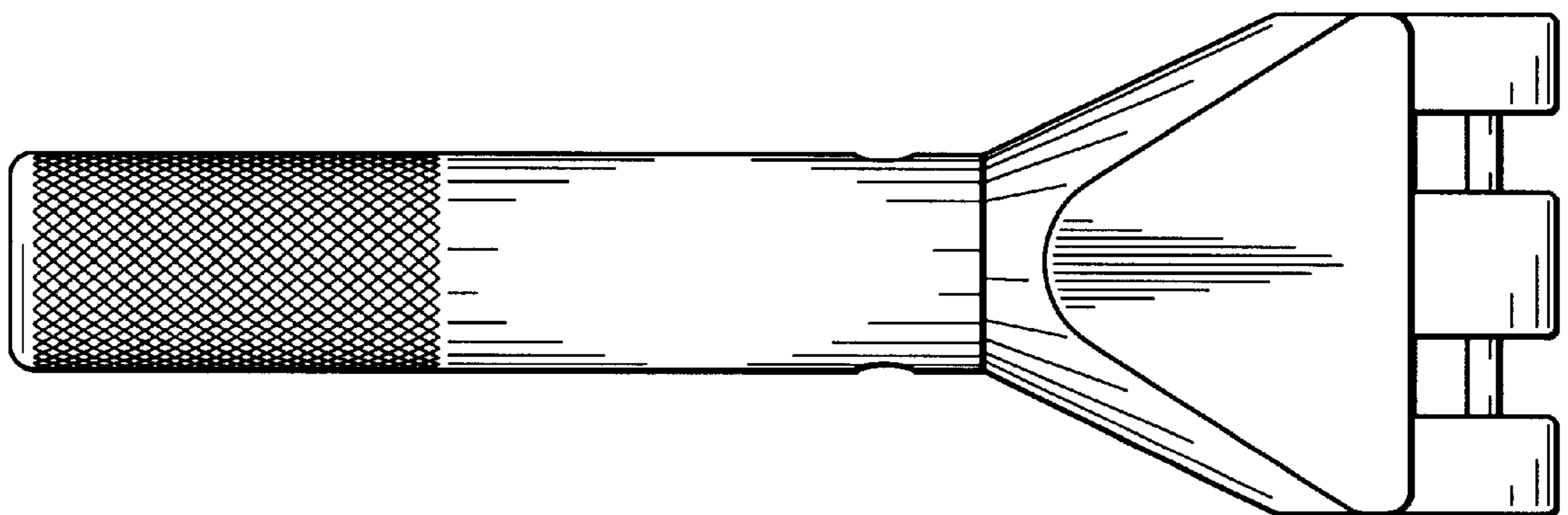


FIG. 3

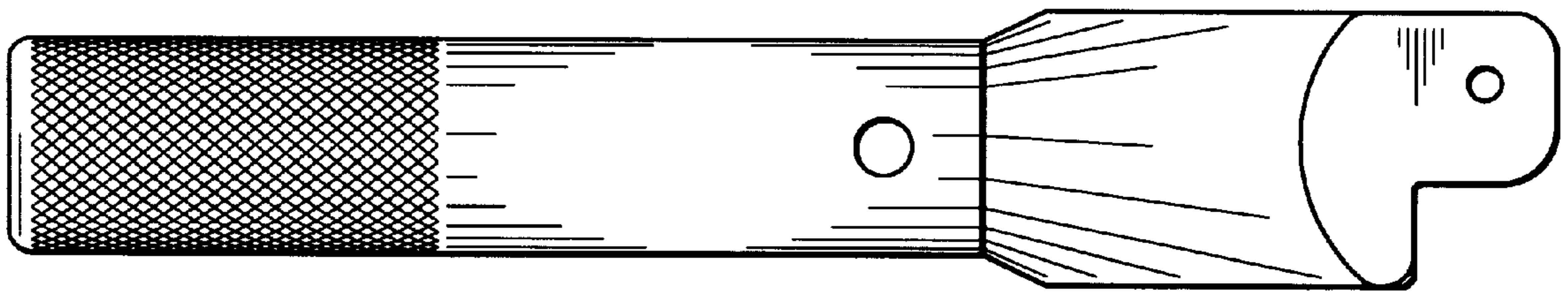


FIG. 4

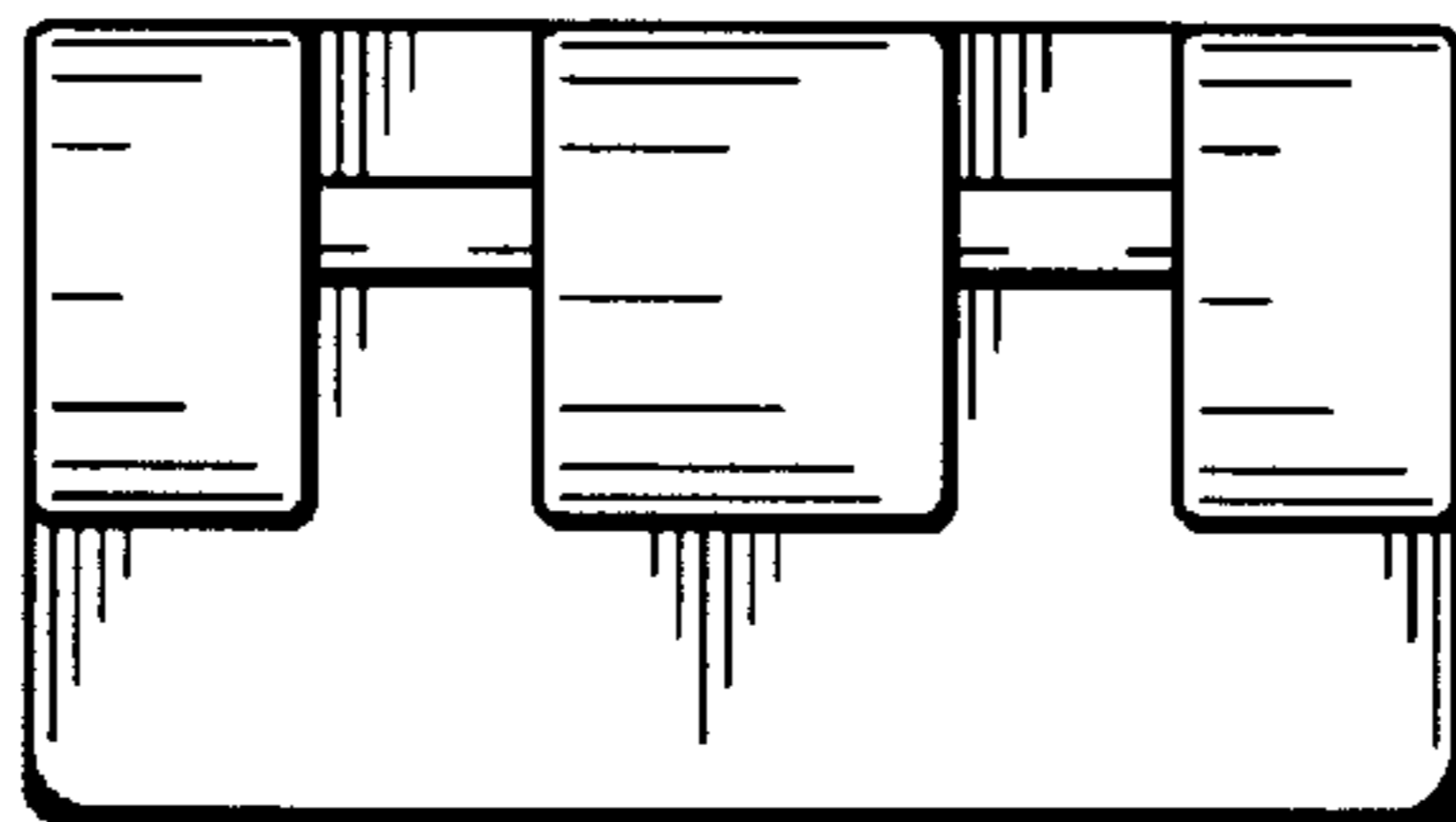


FIG. 5

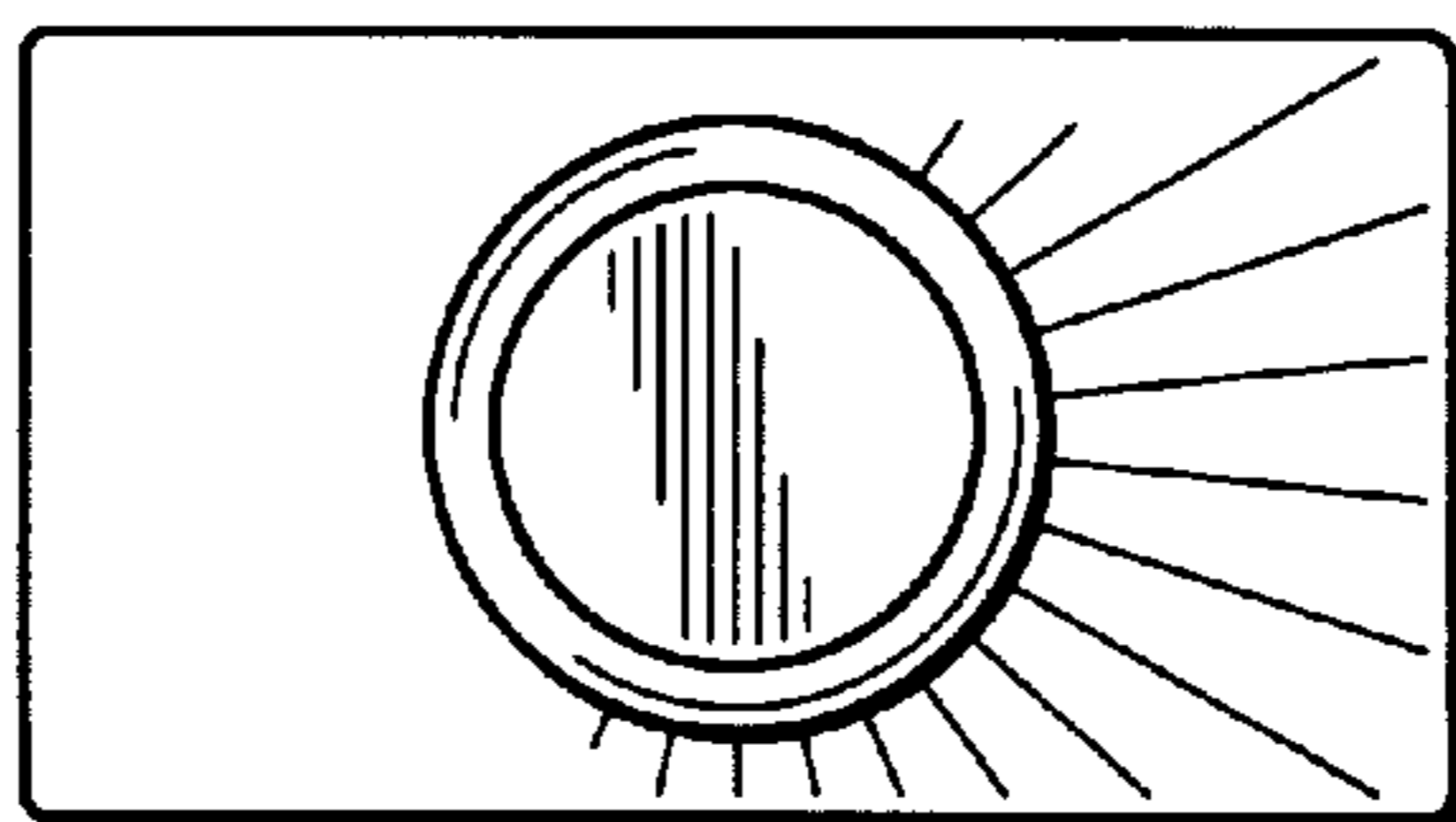


FIG. 6