



US00D439206S

(12) **United States Design Patent**
Torres

(10) **Patent No.:** **US D439,206 S**

(45) **Date of Patent:** **** Mar. 20, 2001**

(54) **INCLINE BICYCLE**

(76) Inventor: **Angel J Torres**, 837 NW. 113th St.,
Miami, FL (US) 33168

(**) Term: **14 Years**

(21) Appl. No.: **29/124,655**

(22) Filed: **Jun. 9, 2000**

(51) **LOC (7) Cl.** **12-11**

(52) **U.S. Cl.** **D12/111**

(58) **Field of Search** D12/111; 280/281.1-288.3,
280/252, 230-233

(56) **References Cited**

U.S. PATENT DOCUMENTS

D. 357,889	5/1995	Jones .
846,033	3/1907	Kidney .
4,411,443	10/1983	Pollard .
4,647,060	3/1987	Tomkinson .
4,976,451	12/1990	Kamenov .
5,732,963	3/1998	White .

Primary Examiner—Alan P. Douglas

Assistant Examiner—Linda Brooks

(57) **CLAIM**

The ornamental design for an incline bicycle, as shown and described.

DESCRIPTION

The nature and intended use of the article being an ornamental design for a bicycle with aerodynamic look for greater speed.

FIG. 1 is a front elevational view of the incline bicycle of the present invention;

FIG. 2 is a rear elevational view of the incline bicycle of FIG. 1;

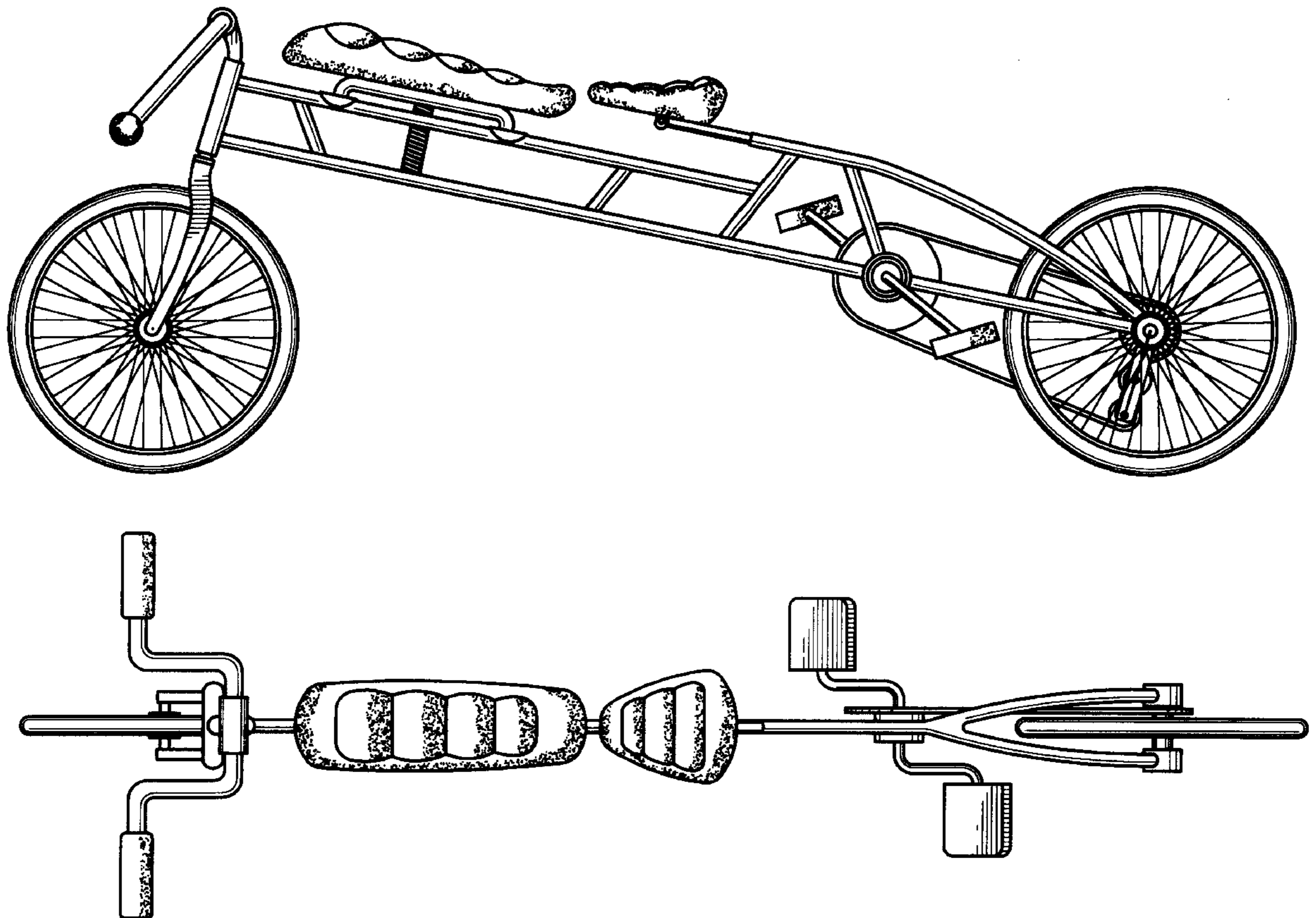
FIG. 3 is a left side elevational view of the incline bicycle of FIG. 1;

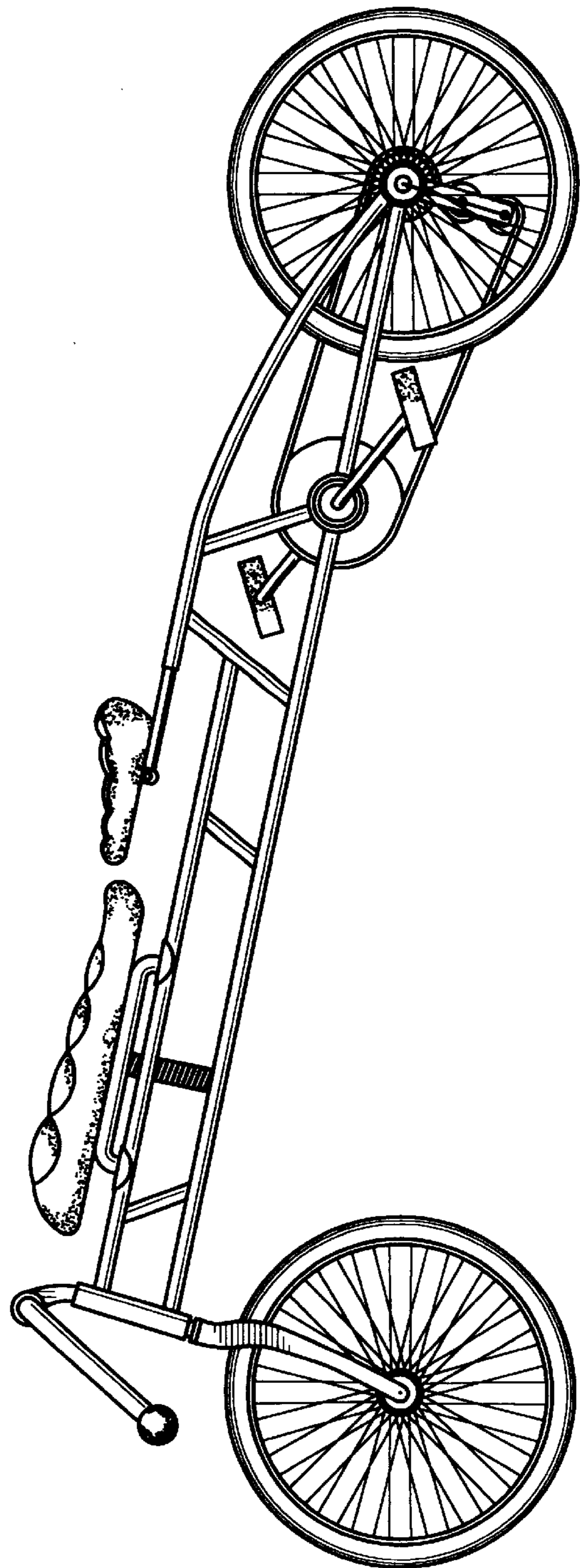
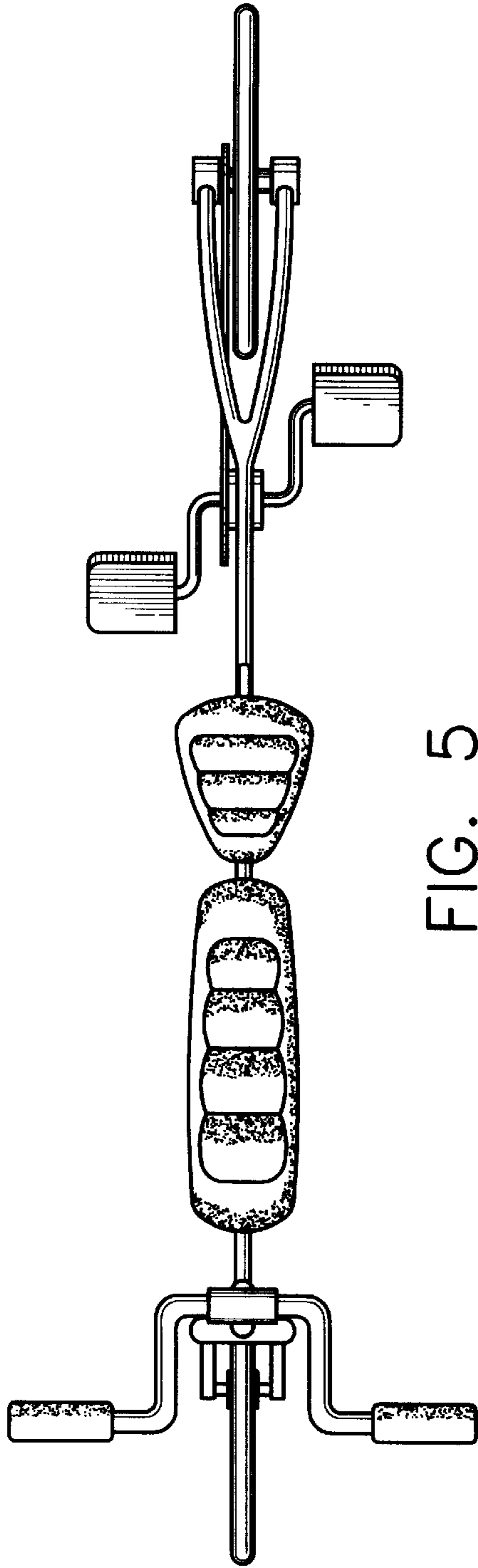
FIG. 4 is a right side elevational view of the incline bicycle of FIG. 1;

FIG. 5 is a top plan view of the incline bicycle of FIG. 1; and,

FIG. 6 is a bottom plan view of the incline bicycle of FIG. 1.

1 Claim, 3 Drawing Sheets





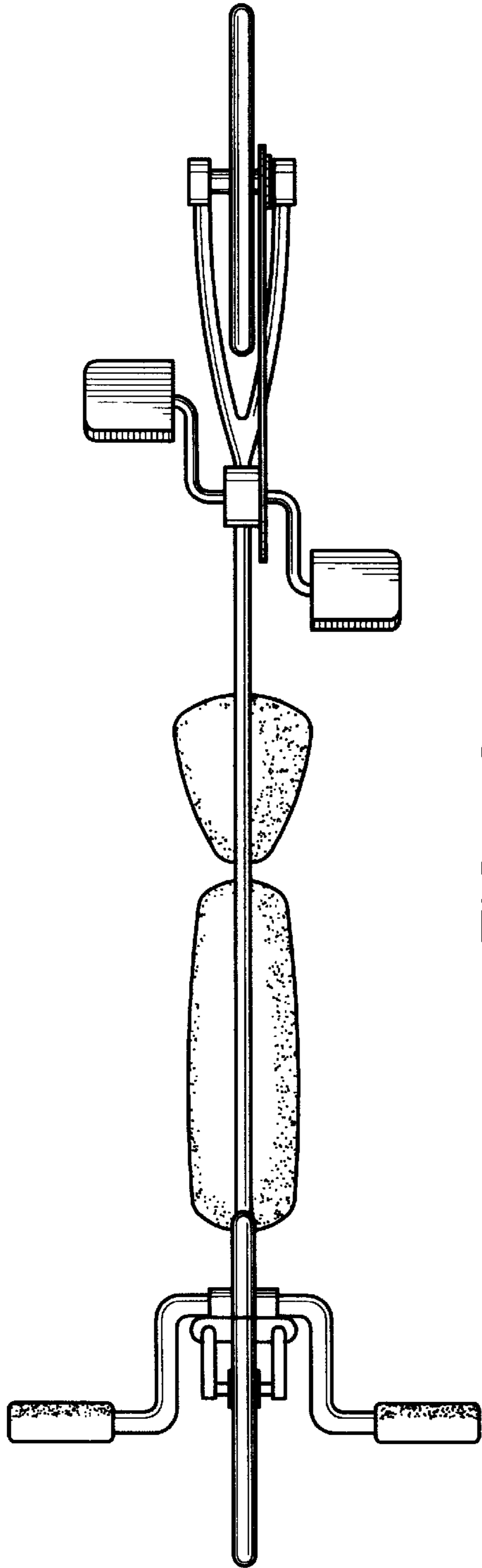


FIG. 6

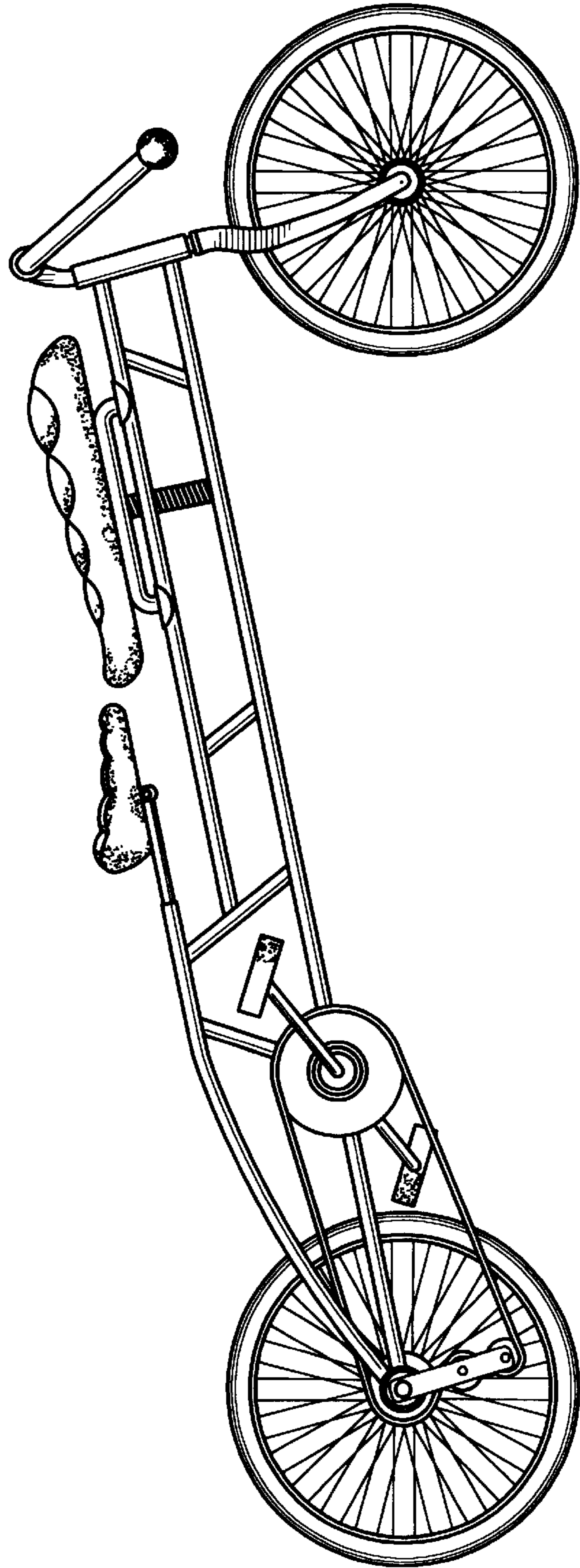


FIG. 2

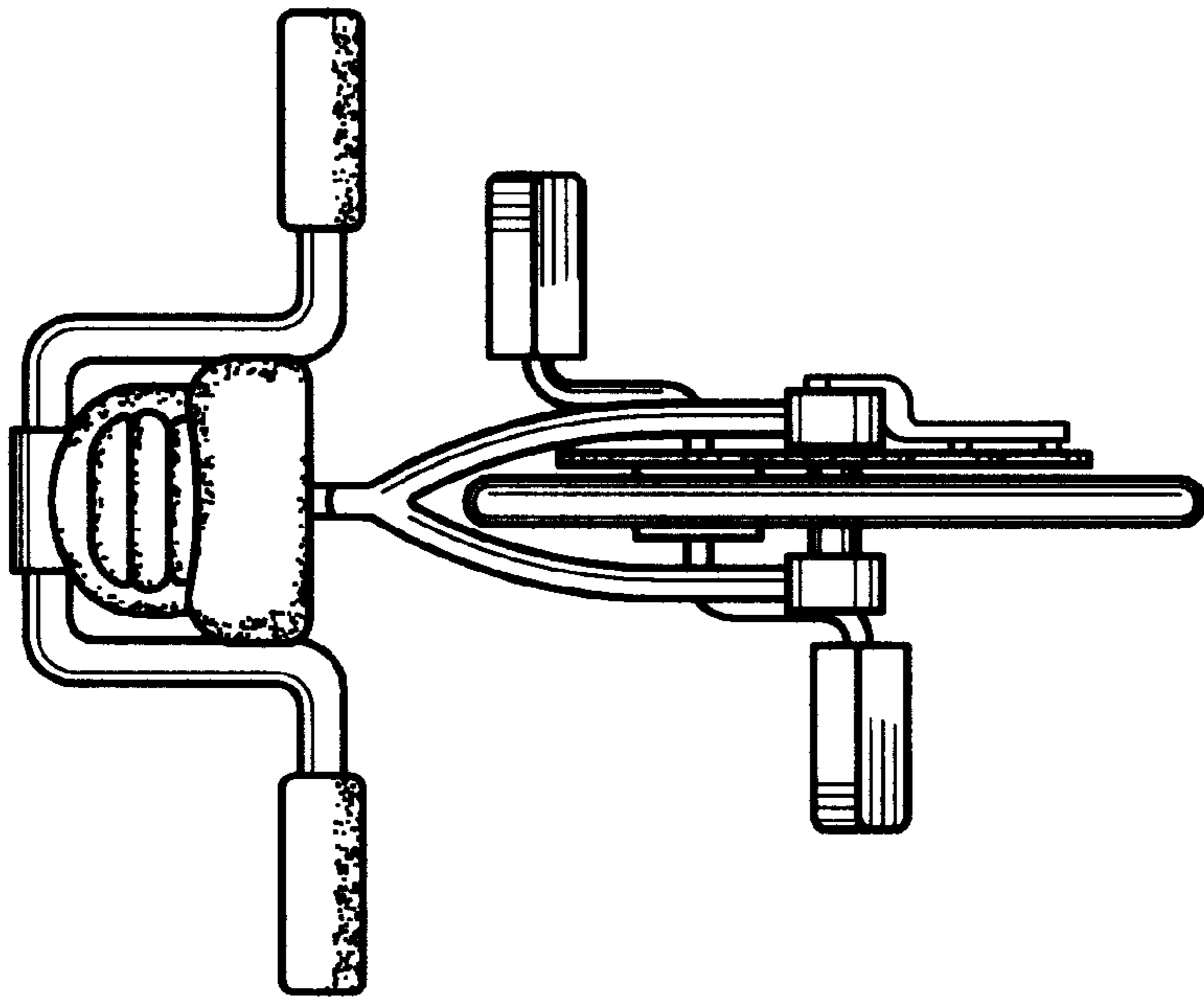


FIG. 3

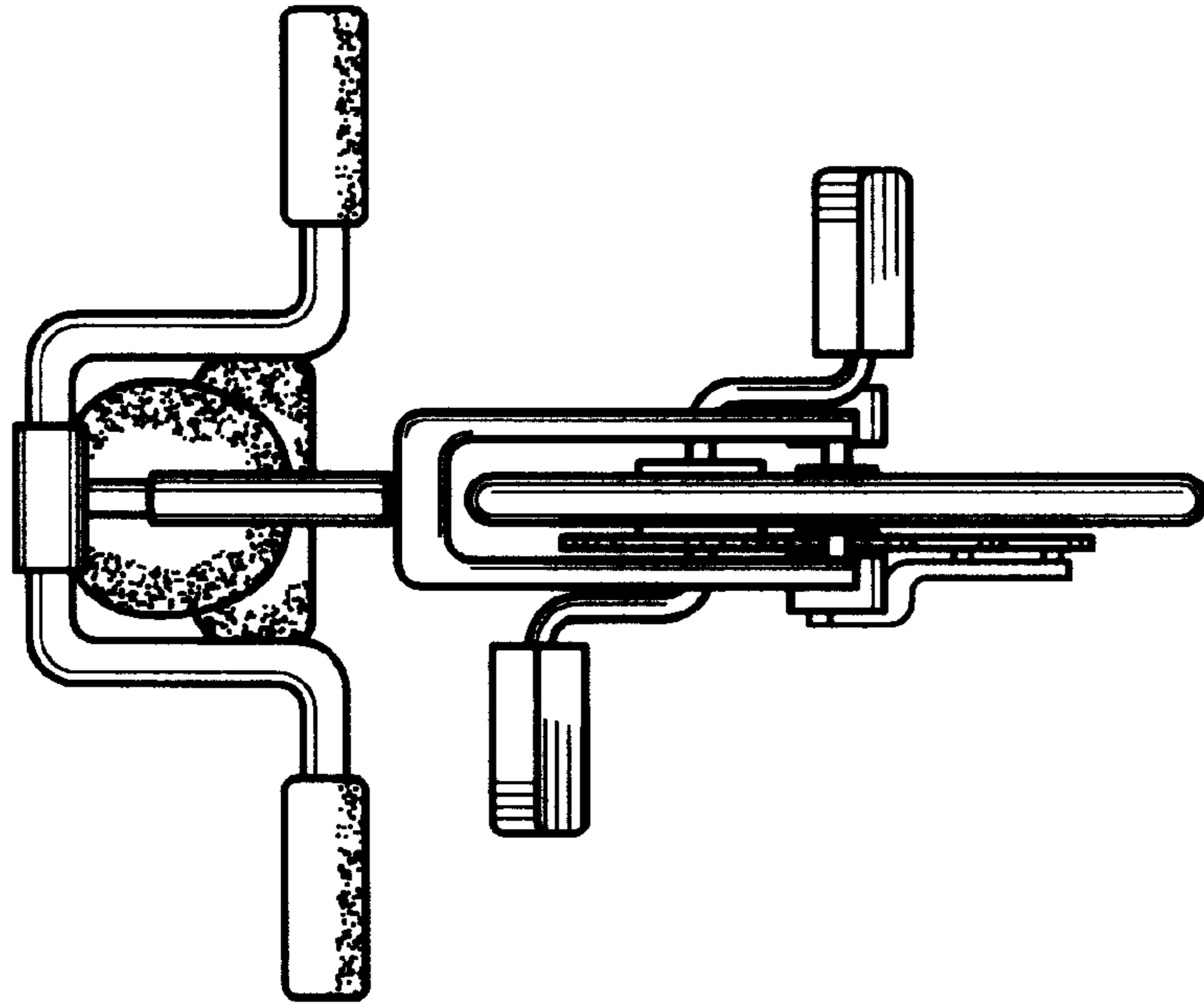


FIG. 4