



US00D439202S

(12) **United States Design Patent**
Takabayashi

(10) **Patent No.:** **US D439,202 S**

(45) **Date of Patent:** **** Mar. 20, 2001**

(54) **STRAP CLIP**

(76) Inventor: **Teruo Takabayashi**, 10-14, Youzai,
Momoyama-Cho, Fushimiku, Kyoto-shi,
Kyoto-fu (JP)

(**) Term: **14 Years**

(21) Appl. No.: **29/125,256**

(22) Filed: **Jun. 20, 2000**

(51) **LOC (7) Cl.** **02-07**

(52) **U.S. Cl.** **D11/215**

(58) **Field of Search** D11/200-220,
D11/224, 231; 24/169, 170, 327, 328, 346,
68 SK

(56) **References Cited**

U.S. PATENT DOCUMENTS

| | | | | | |
|------------|---|---------|---------|-------|---------|
| D. 114,441 | * | 4/1939 | Deming | | D11/216 |
| D. 313,205 | * | 12/1990 | Mejias | | D11/215 |
| D. 325,182 | * | 4/1992 | Terada | | D11/221 |
| D. 376,771 | * | 12/1996 | Cheng | | D11/216 |
| D. 391,895 | * | 3/1998 | Anscher | | D11/215 |
| D. 409,114 | * | 5/1999 | Bortner | | D11/216 |

* cited by examiner

Primary Examiner—Louis S. Zarfaz

Assistant Examiner—Catherine R. Oliver

(74) *Attorney, Agent, or Firm*—Greenberg Traurig, LLP

(57) **CLAIM**

The ornamental design for a strap clip, as shown and described.

DESCRIPTION

FIG. 1 is a front right side perspective view of a strap clip showing my new design;
 FIG. 2 is a front elevational view thereof;
 FIG. 3 is a rear elevational view thereof;
 FIG. 4 is a top plan view thereof;
 FIG. 5 is a bottom plan view thereof;
 FIG. 6 is a left side elevational view thereof;
 FIG. 7 is a front elevational view with a clip open;
 FIG. 8 is a rear elevational view with a clip open;
 FIG. 9 is a front right side perspective view from above with a clip open;
 FIG. 10 is a front right side perspective view from bottom with a clip open;
 FIG. 11 is an enlarged cross-sectional view taken along the line 11-11 of FIG. 1; and,
 FIG. 12 is an enlarged cross-sectional view taken along the line 12-12 of FIG. 9.

1 Claim, 5 Drawing Sheets

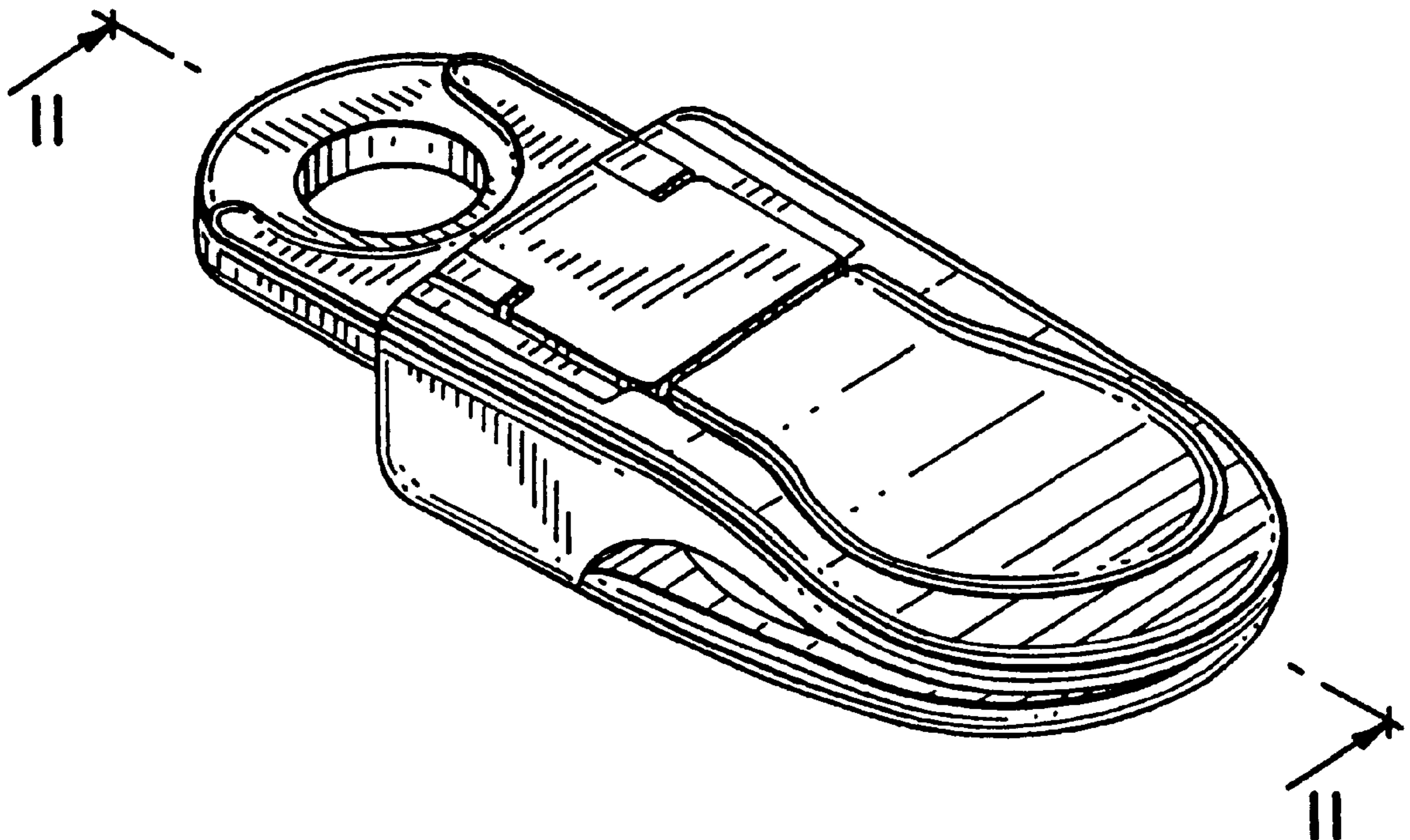


FIG. 1

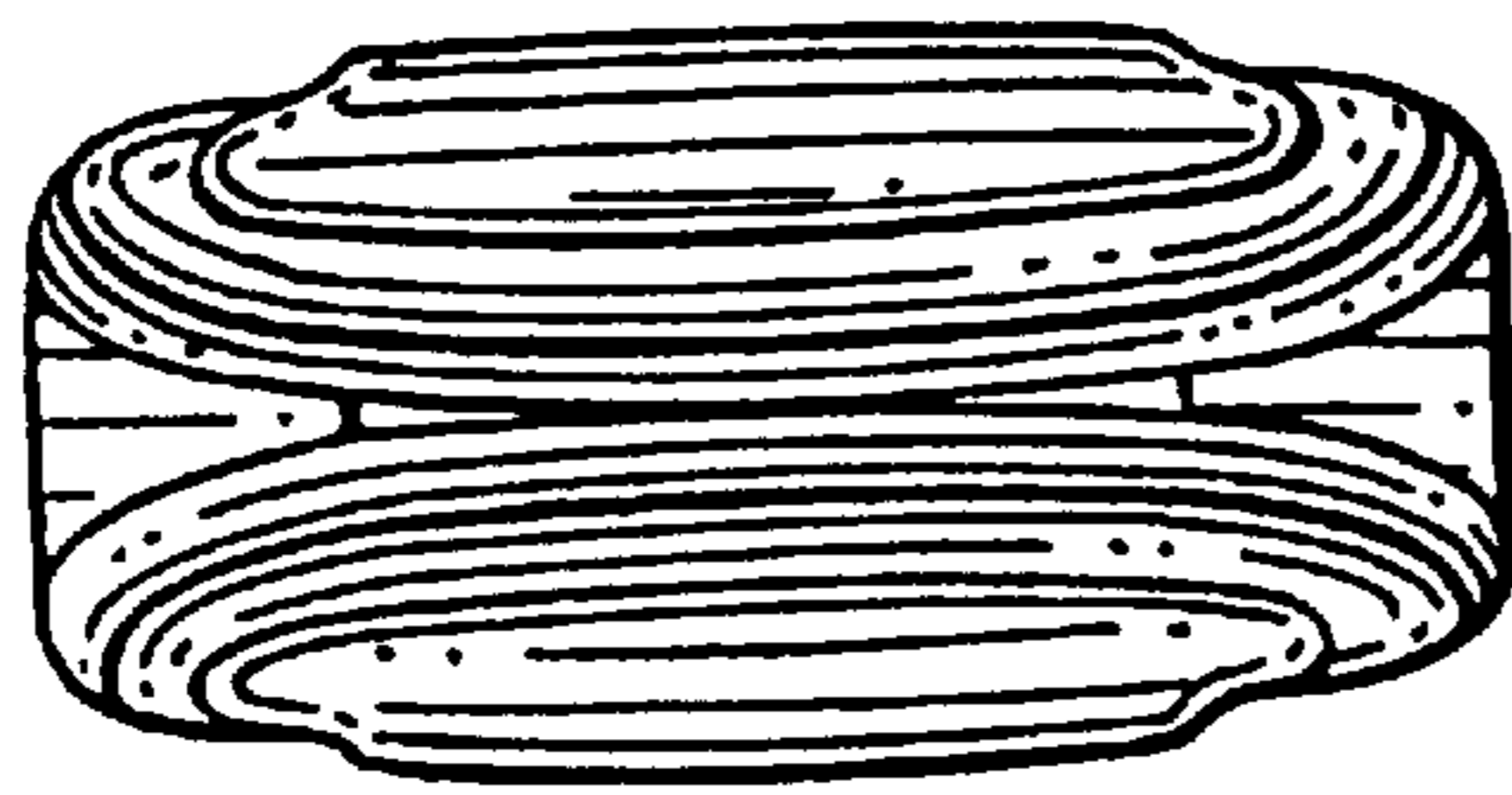
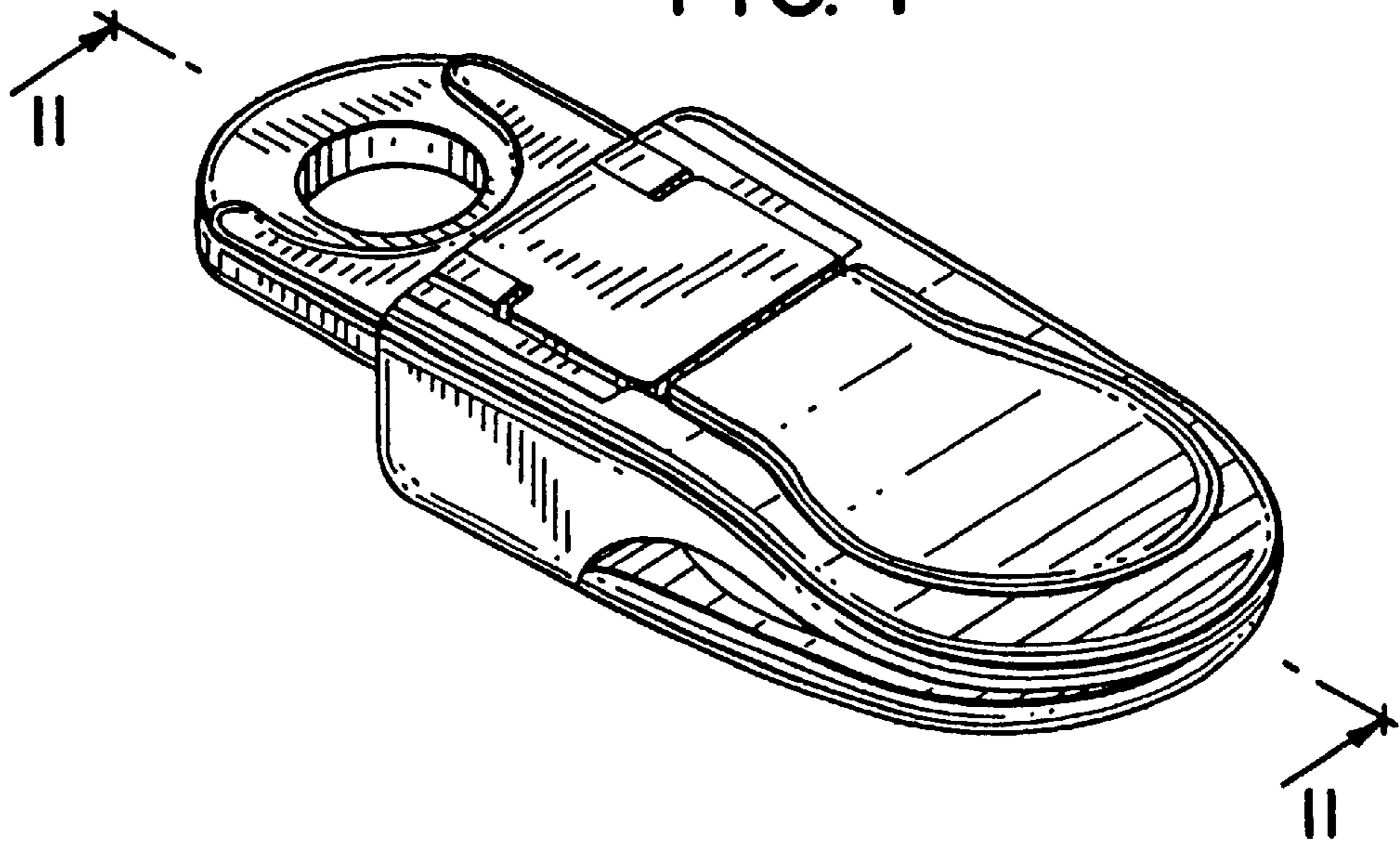


FIG. 2

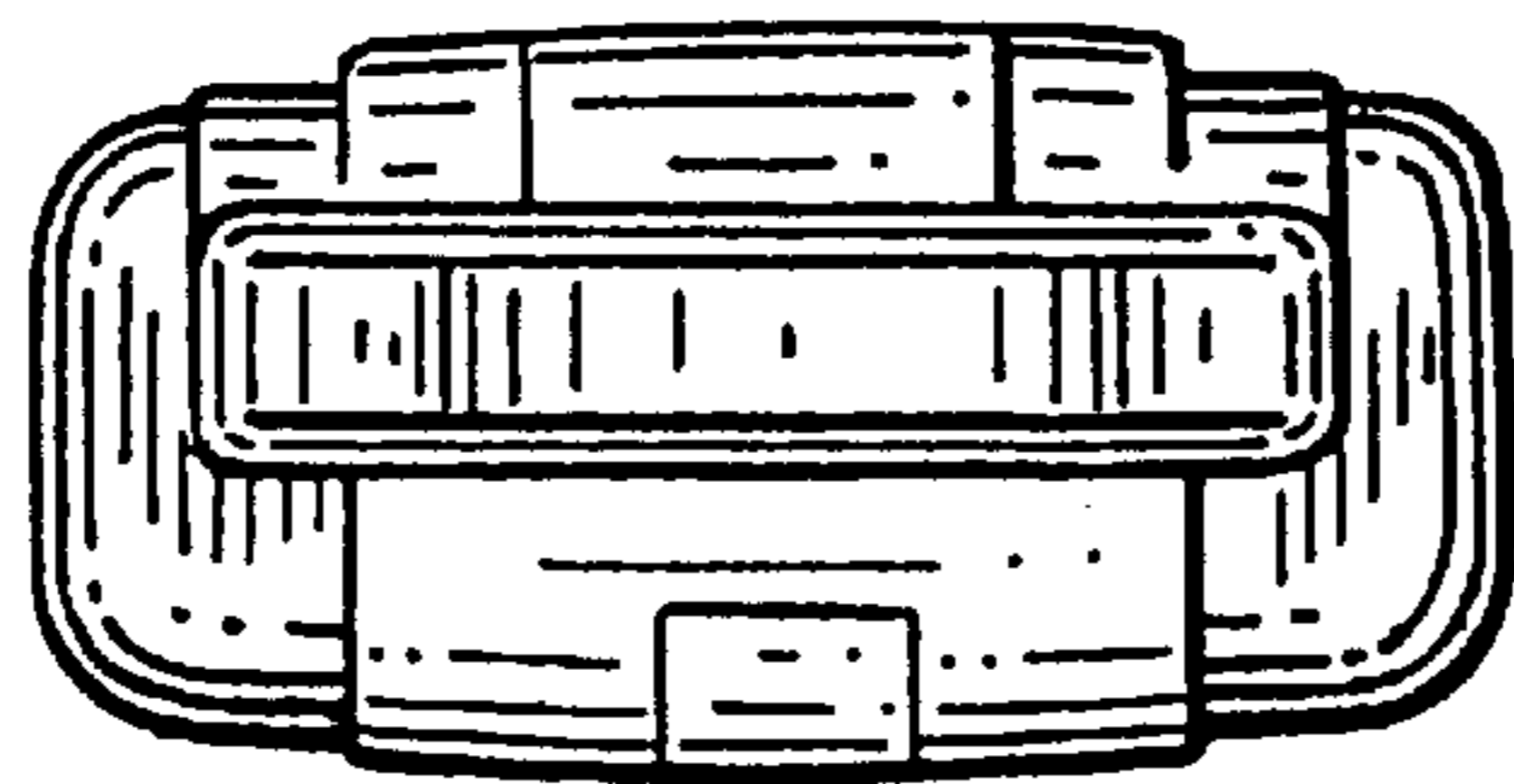


FIG. 3

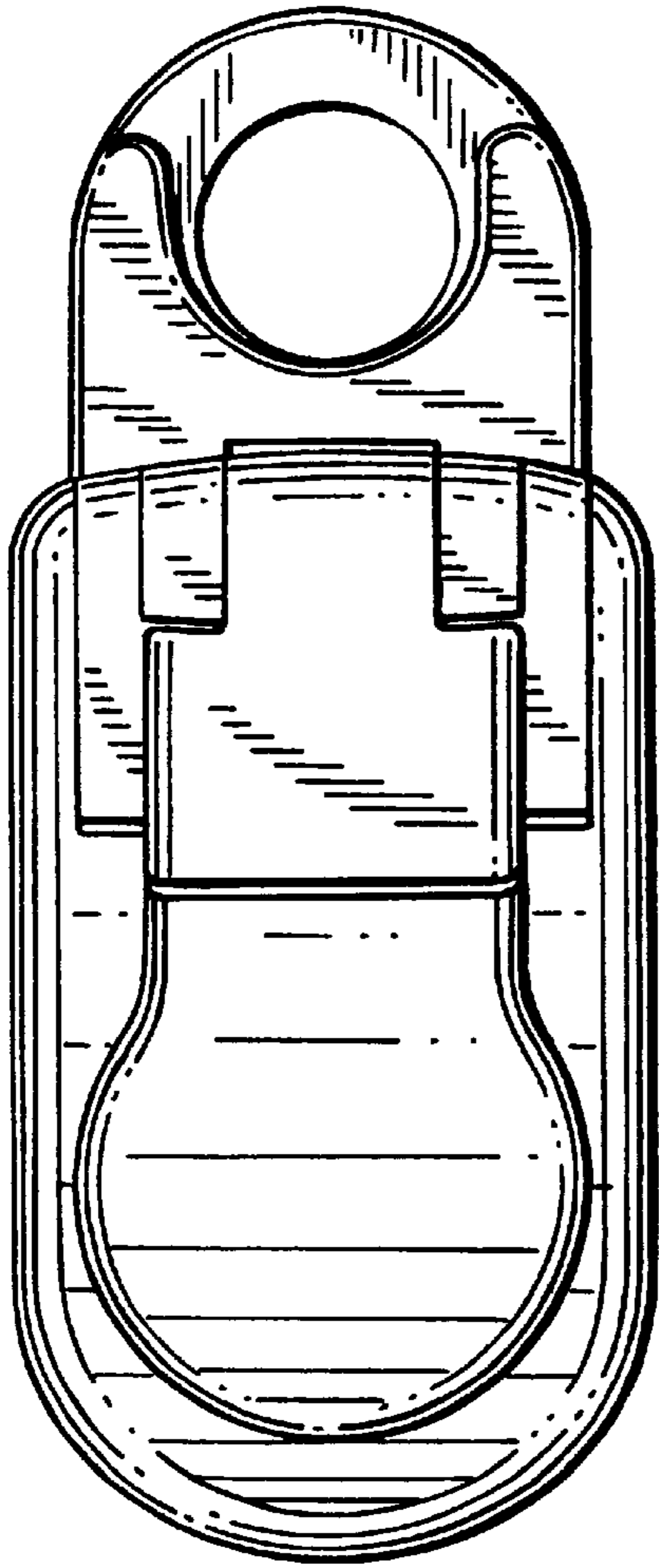


FIG. 4

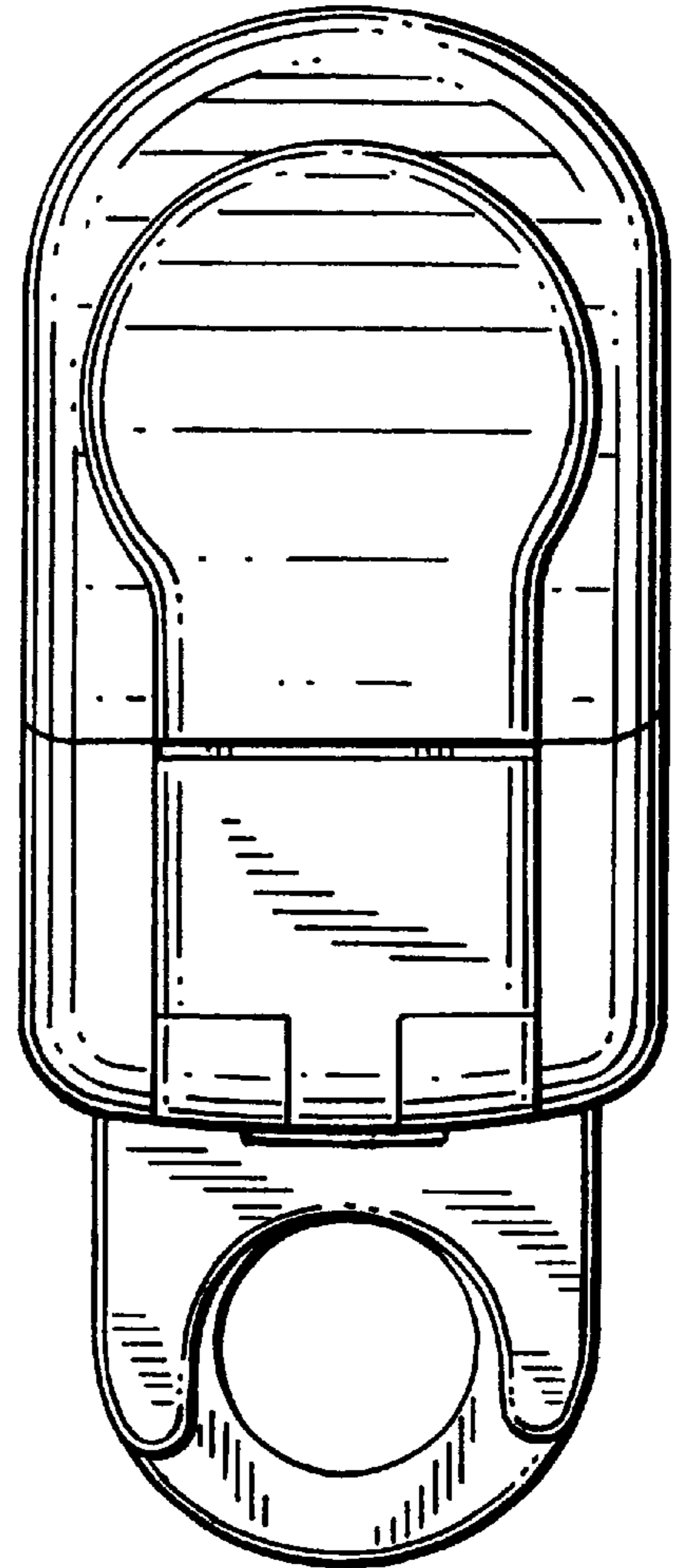


FIG. 5

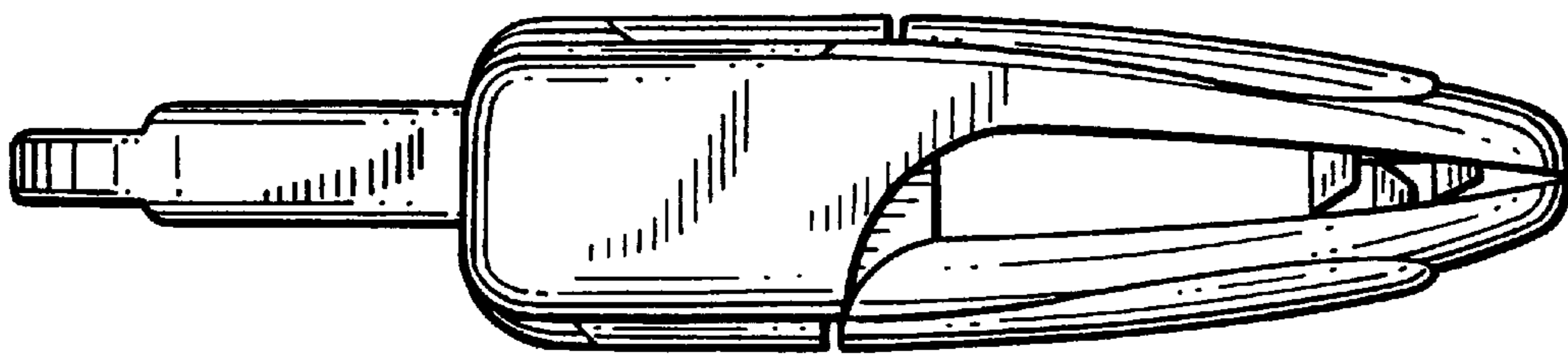


FIG. 6

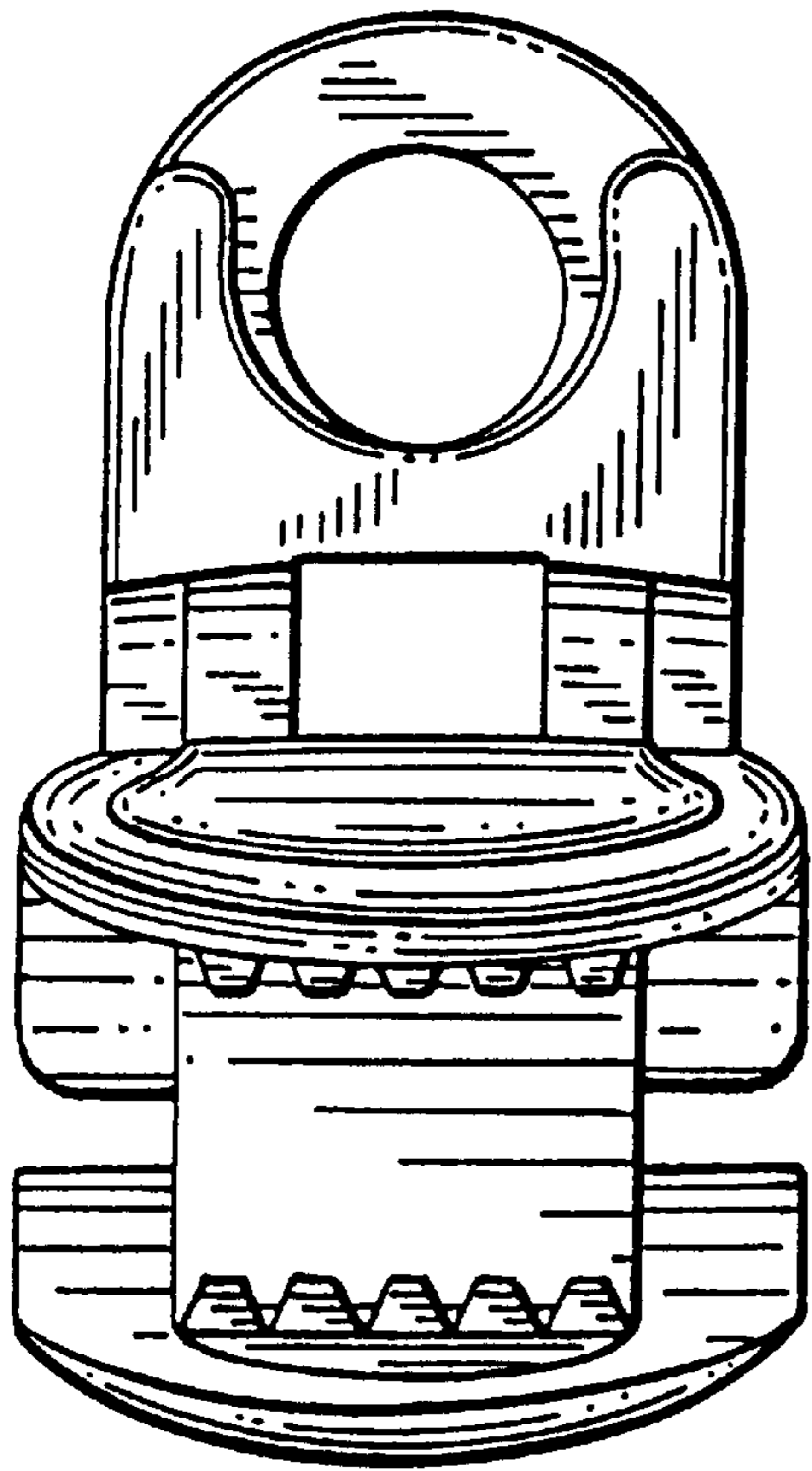


FIG. 7

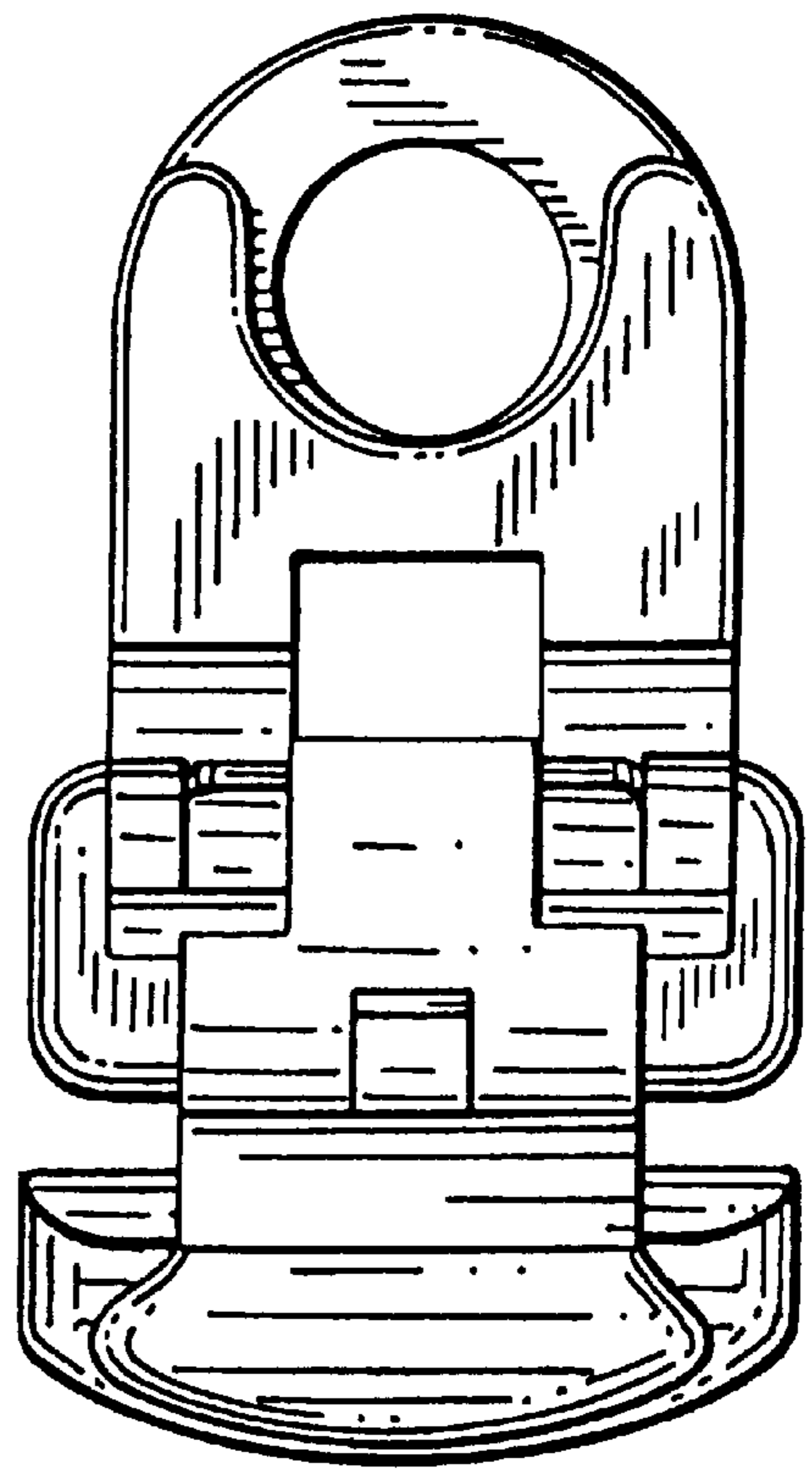


FIG. 8

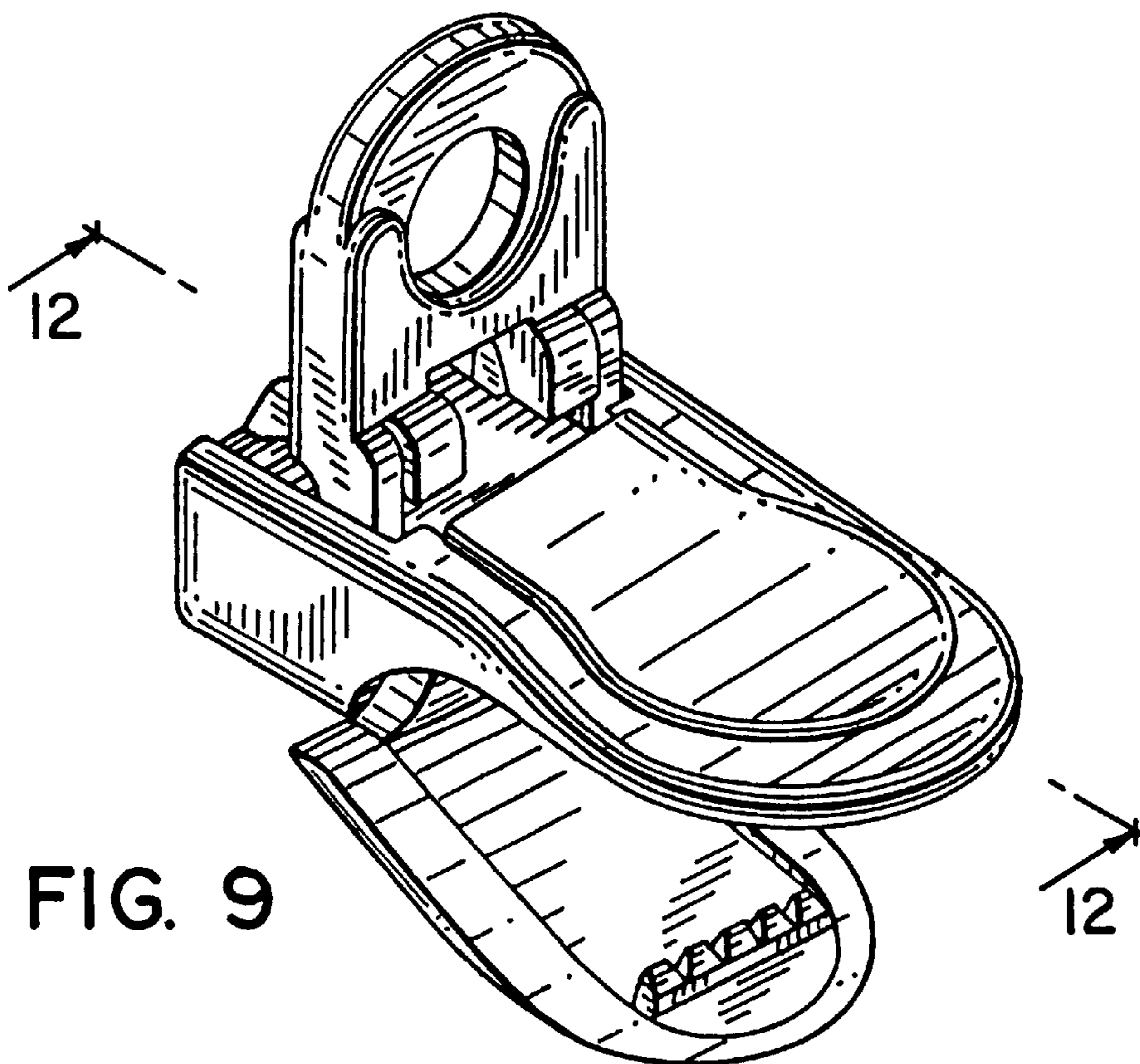


FIG. 9

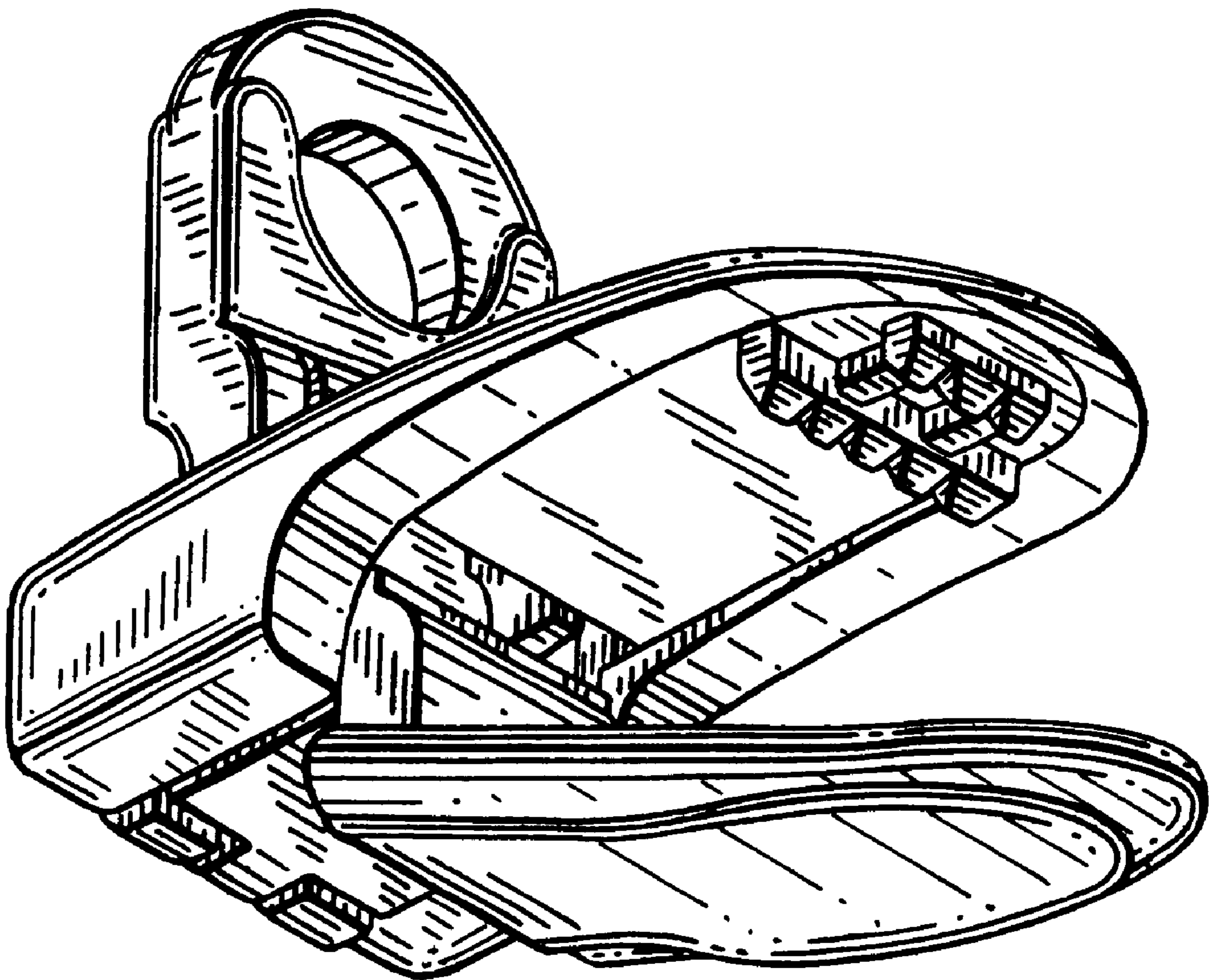


FIG. 10

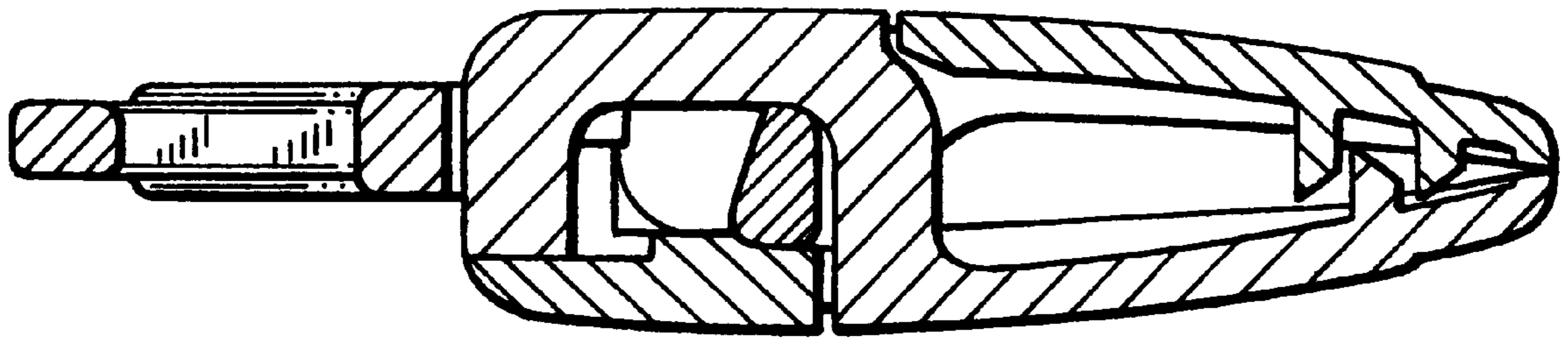


FIG. 11

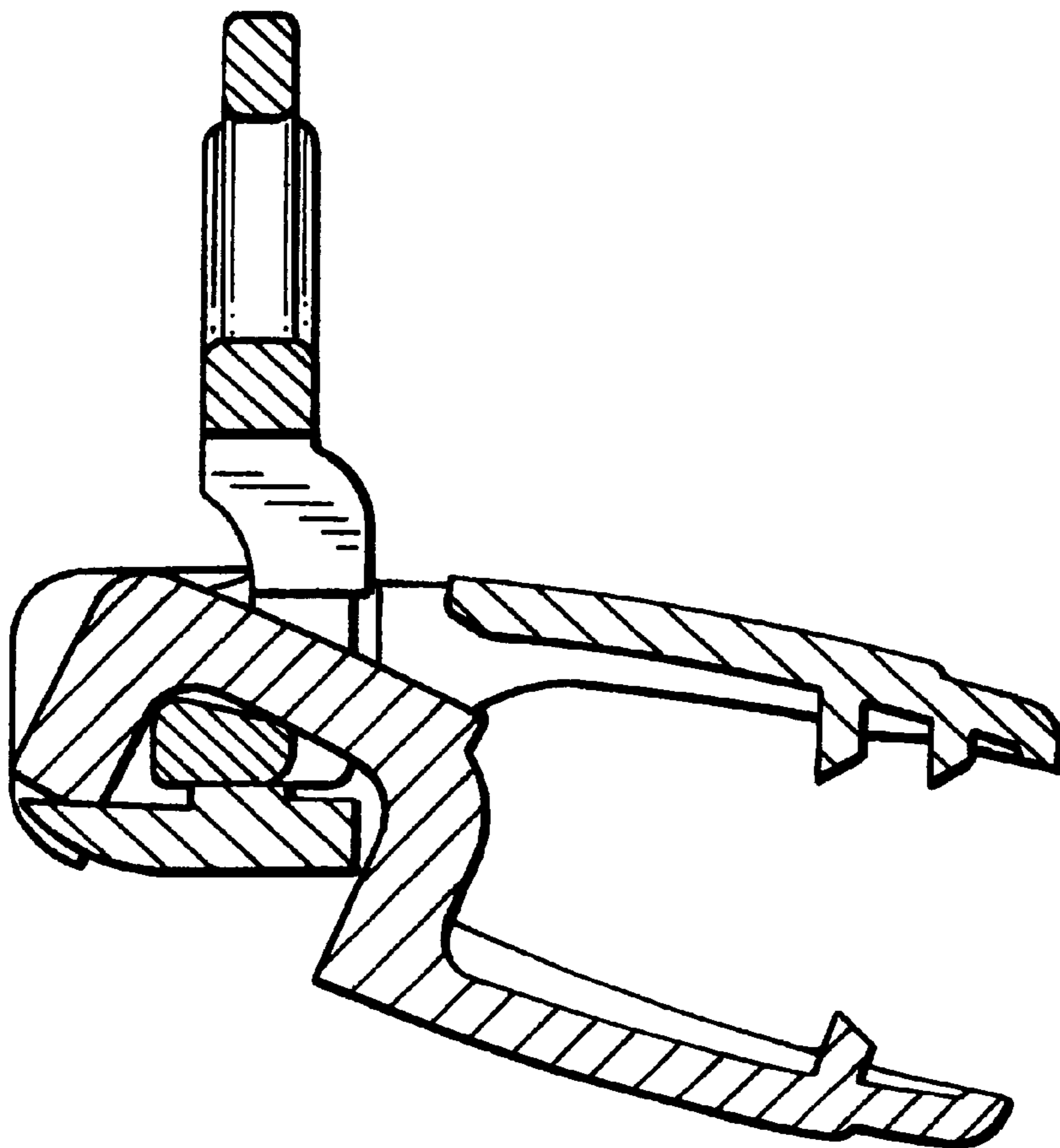


FIG. 12