



US00D439189S

(12) **United States Design Patent**
Gueit

(10) **Patent No.:** **US D439,189 S**

(45) **Date of Patent:** **** *Mar. 20, 2001**

(54) **RING**

(75) **Inventor:** **Jean-Claude Gueit, Perly (CH)**

(73) **Assignee:** **S.A. Ancienne Fabrique Georges Piaget & Cie (CH)**

(*) **Notice:** This patent is subject to a terminal disclaimer.

(**) **Term:** **14 Years**

(21) **Appl. No.:** **29/101,269**

(22) **Filed:** **Mar. 1, 1999**

(30) **Foreign Application Priority Data**

Sep. 22, 1998 (XH) DMA/004 234

(51) **LOC (7) Cl.** **11-01**

(52) **U.S. Cl.** **D11/26; D11/29**

(58) **Field of Search** **D11/26-39, 34; 63/3, 3.1, 7, 9, 15, 15.1, 15.2, 15.3, 15.4, 15.45, 15.5, 15.65, 15.7, 15.8, 26, 28**

(56) **References Cited**

U.S. PATENT DOCUMENTS

- D. 12,868 * 4/1882 Ripley D11/37
- D. 23,634 * 10/1894 Ecaubert D11/38
- D. 56,388 * 10/1920 Sharp D11/38
- D. 58,603 * 8/1921 Lapidus D11/38
- D. 59,236 * 10/1921 Lapidus D11/38

- D. 59,314 * 10/1921 Winsen D11/38
- D. 61,573 * 10/1922 Herzog D11/38
- D. 61,982 * 2/1923 Lapidus D11/4
- D. 100,148 * 6/1936 Barun D11/39
- D. 100,754 * 8/1936 Braun D11/39
- D. 113,959 * 3/1939 Ayres D11/36
- D. 124,825 * 1/1941 Bogel D11/39
- D. 148,213 * 12/1947 Carlson D11/39
- D. 273,261 * 4/1984 Sun D7/633
- D. 424,965 * 5/2000 Gueit D11/26

* cited by examiner

Primary Examiner—Cathy Anne MacCormac

(74) *Attorney, Agent, or Firm*—Young & Thompson

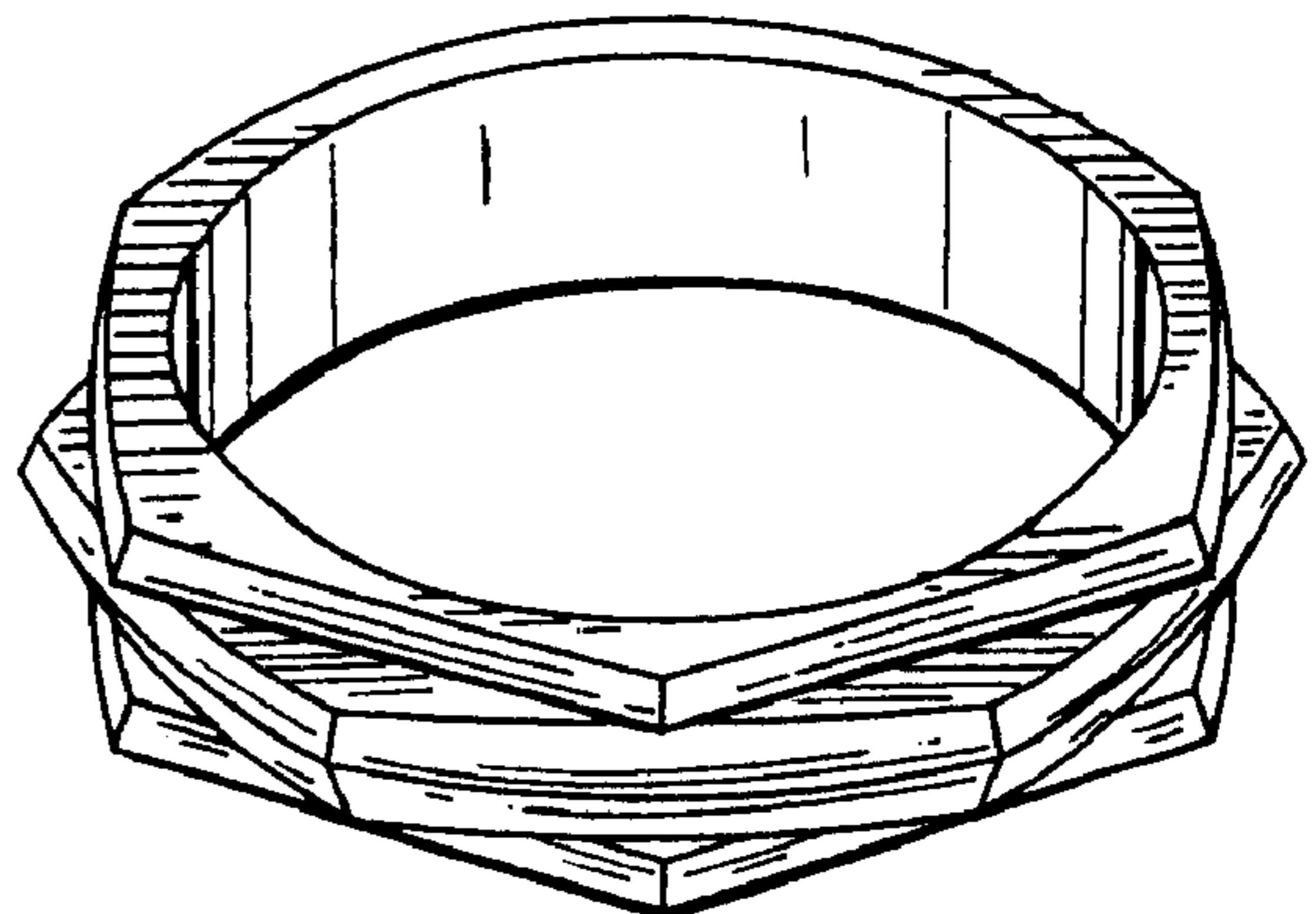
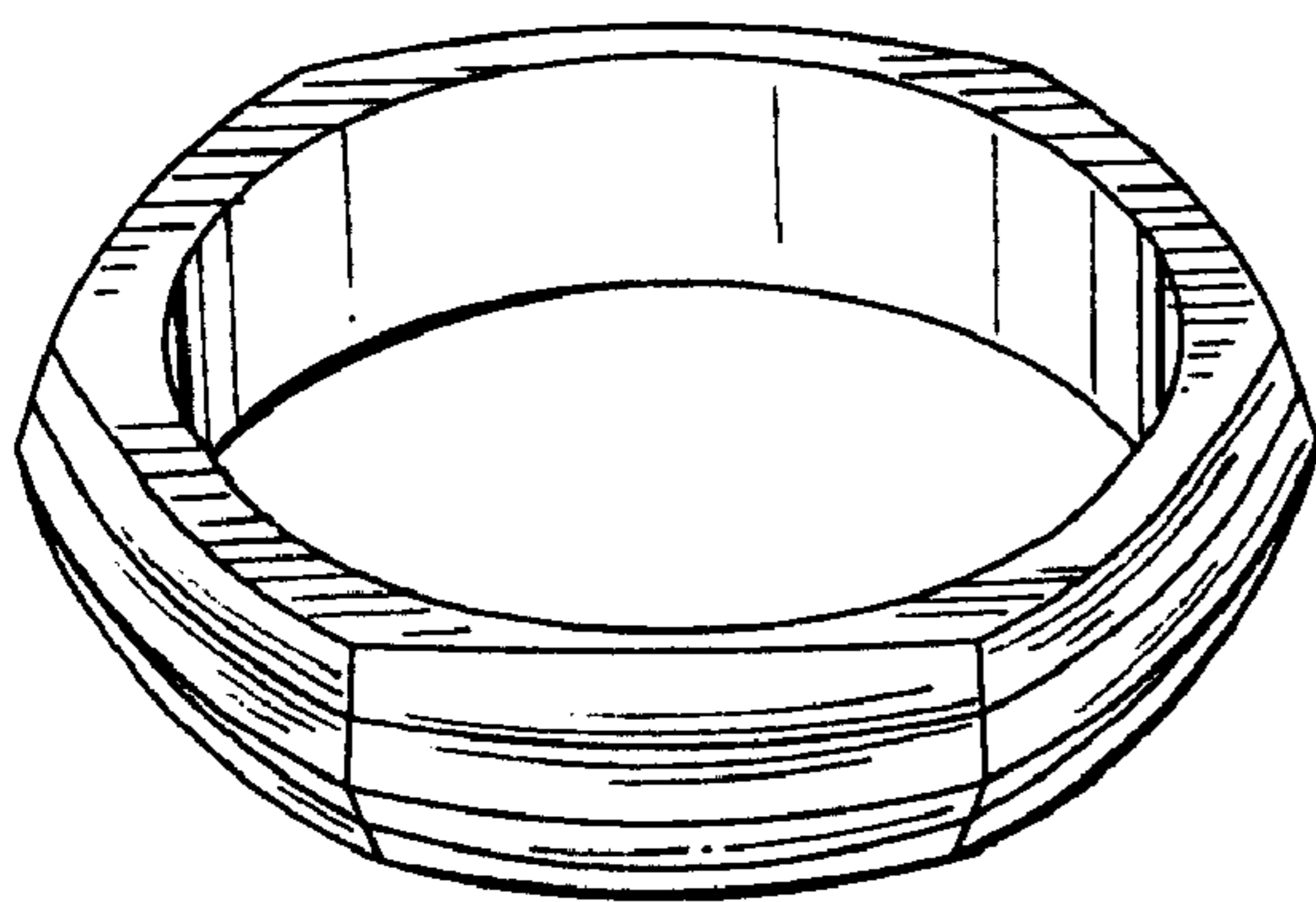
(57) **CLAIM**

The ornamental design for a ring, as shown and described.

DESCRIPTION

FIG. 1 is a perspective view of a ring having a body and a rotatable central ring showing my new design;
 FIG. 2 is a top plan view thereof;
 FIG. 3 is a side view thereof;
 FIG. 4 is another side view thereof;
 FIG. 5 is another perspective view thereof, the central ring in a different position;
 FIG. 6 is a top plan view of FIG. 5;
 FIG. 7 is a side view of FIG. 6; and,
 FIG. 8 is another side view of FIG. 6.

1 Claim, 1 Drawing Sheet



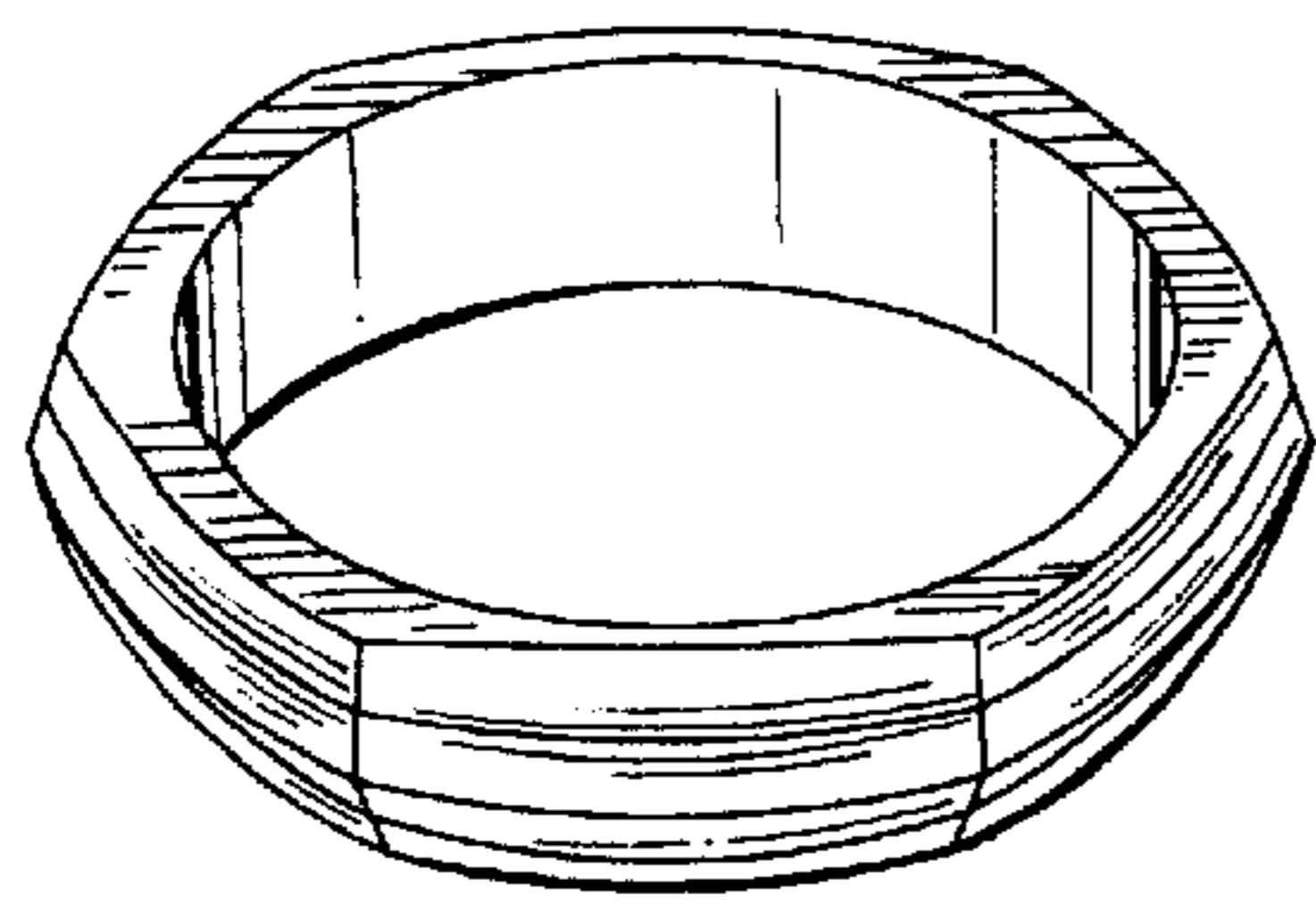


FIG. 1

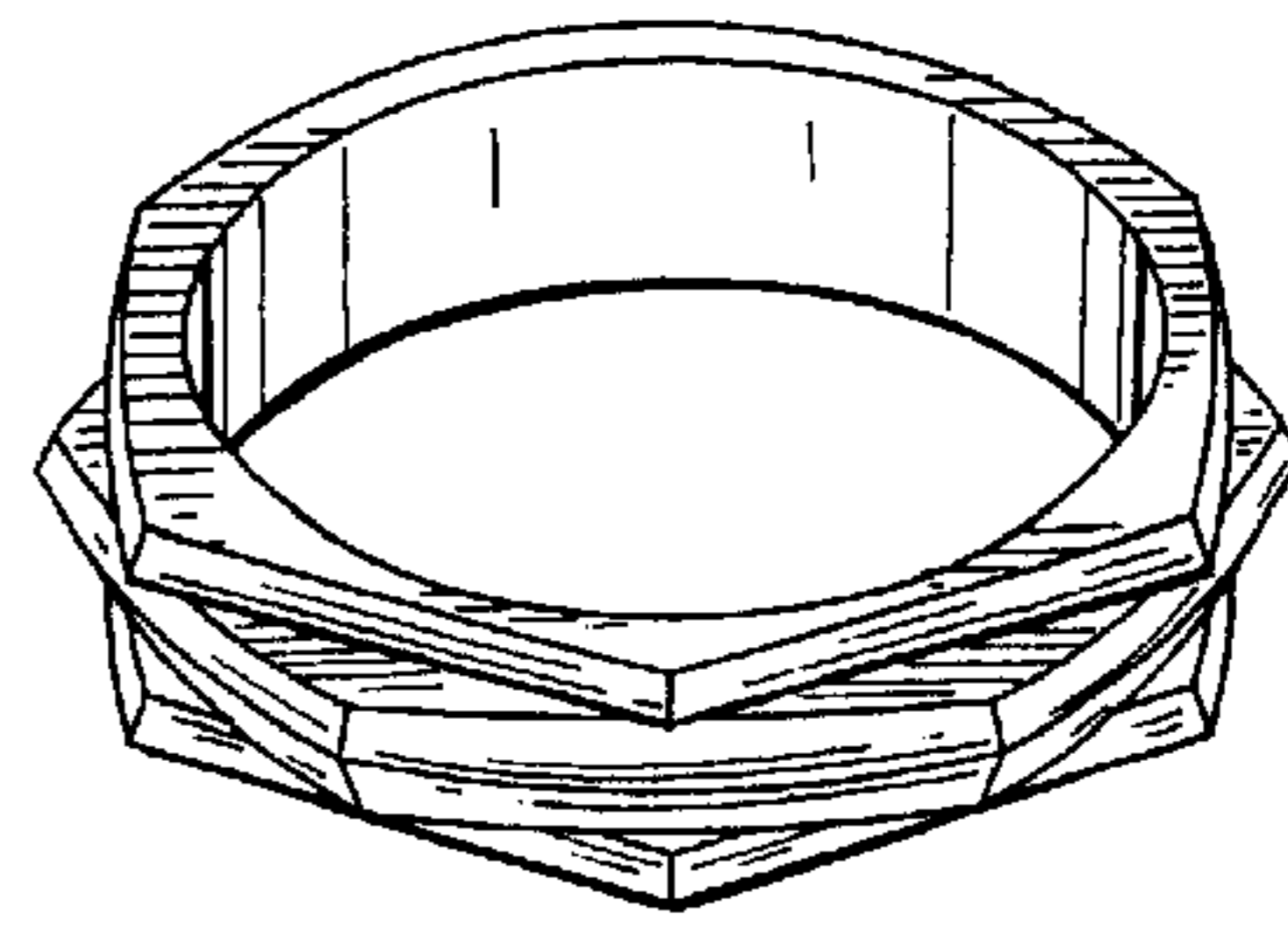


FIG. 5

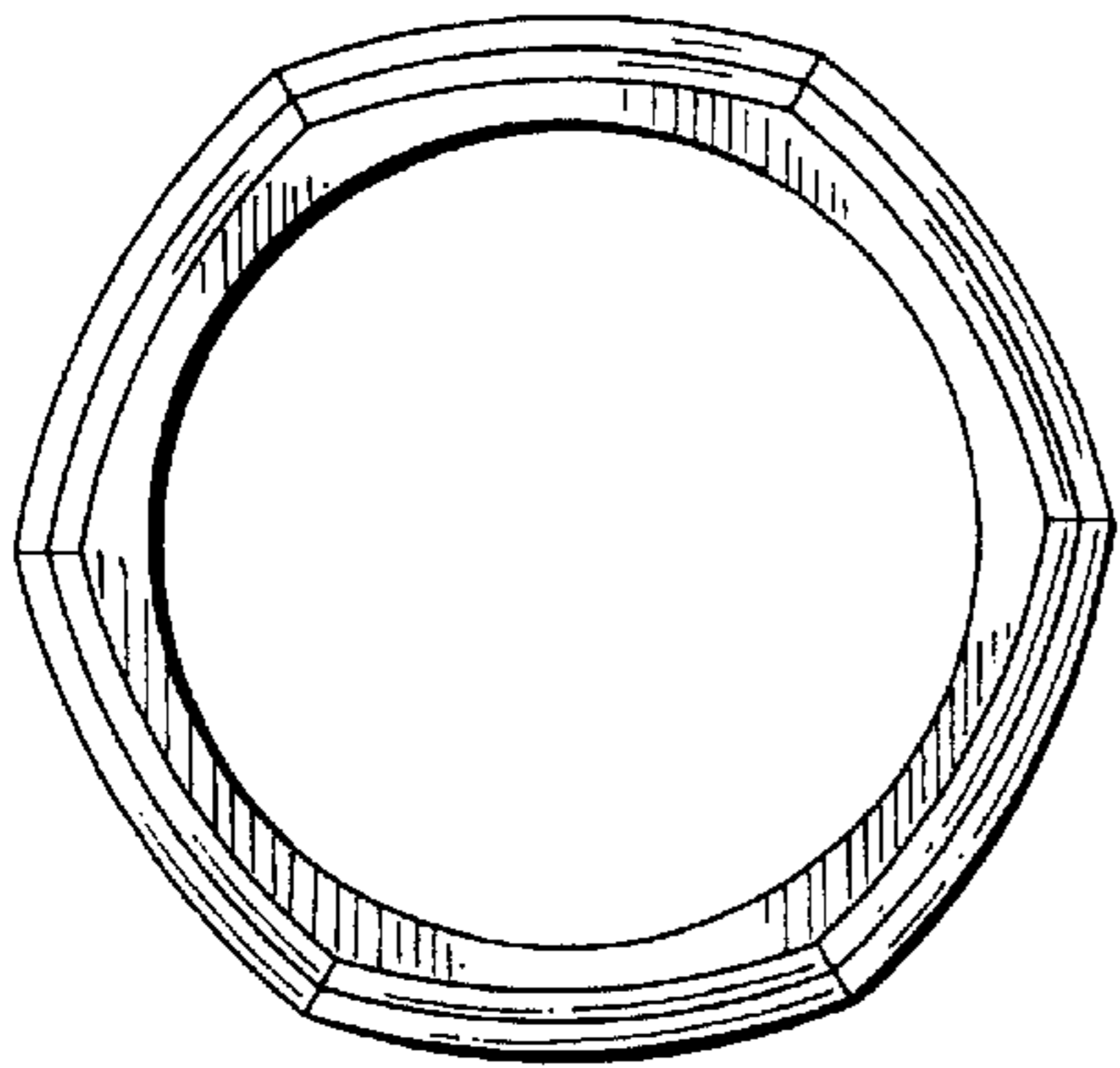


FIG. 2

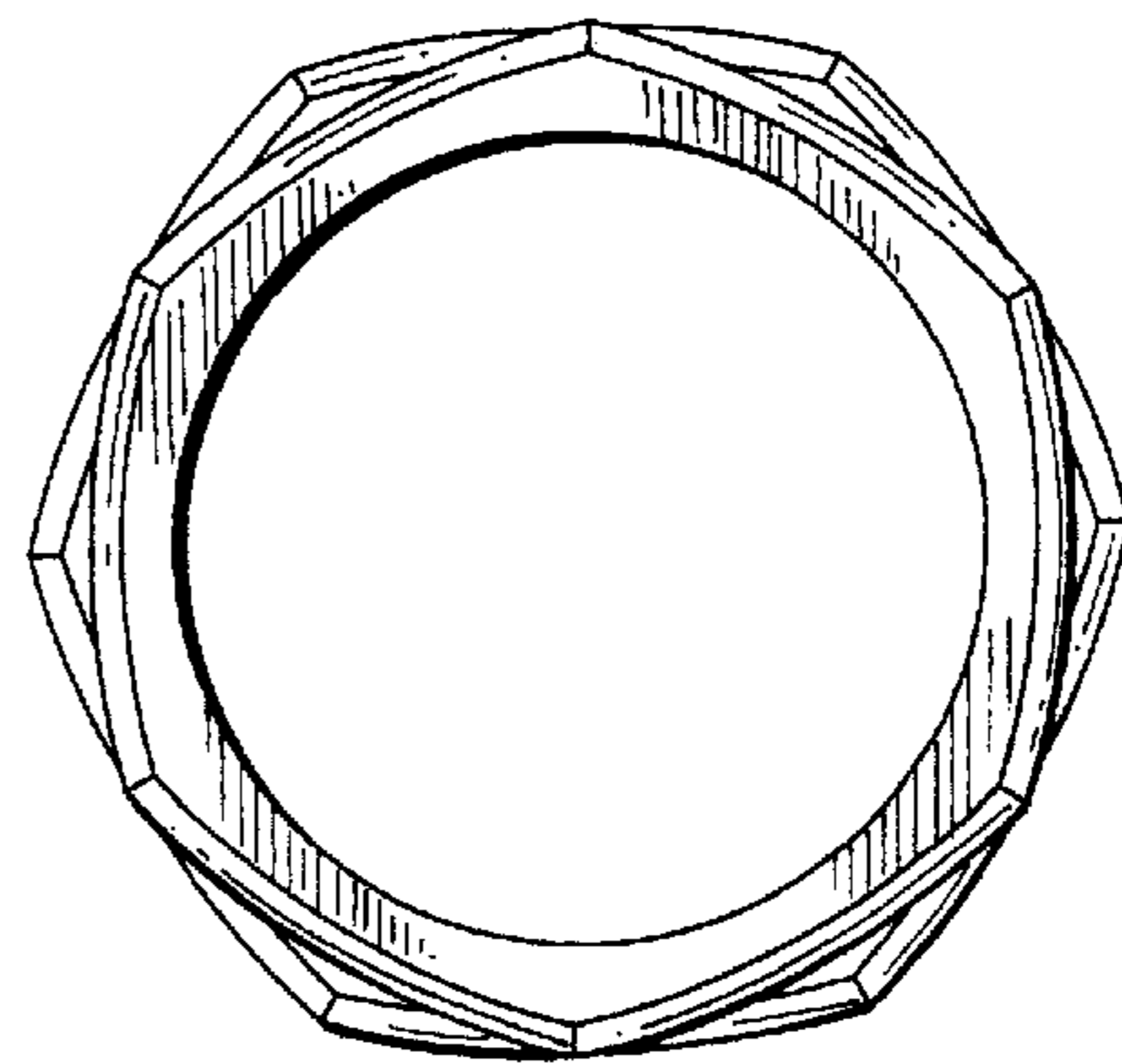


FIG. 6

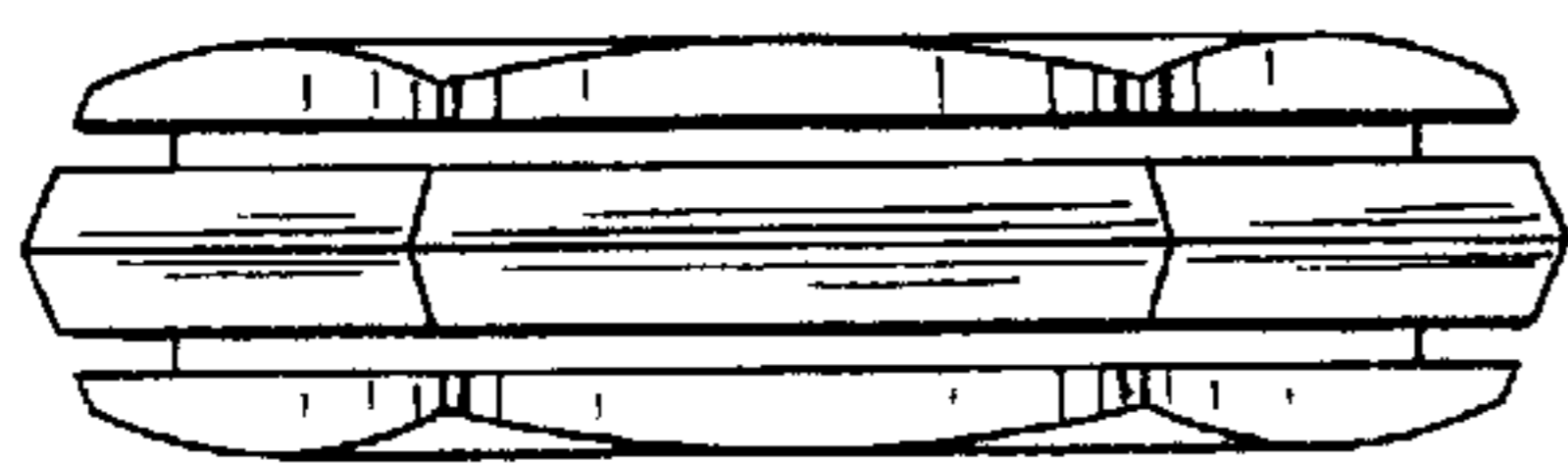


FIG. 3

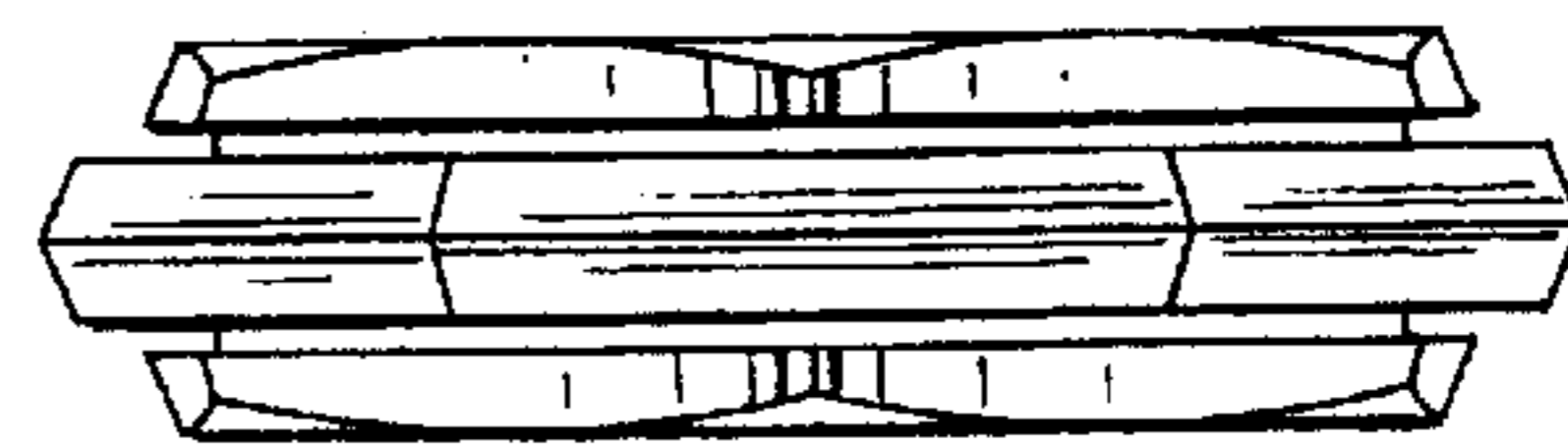


FIG. 7

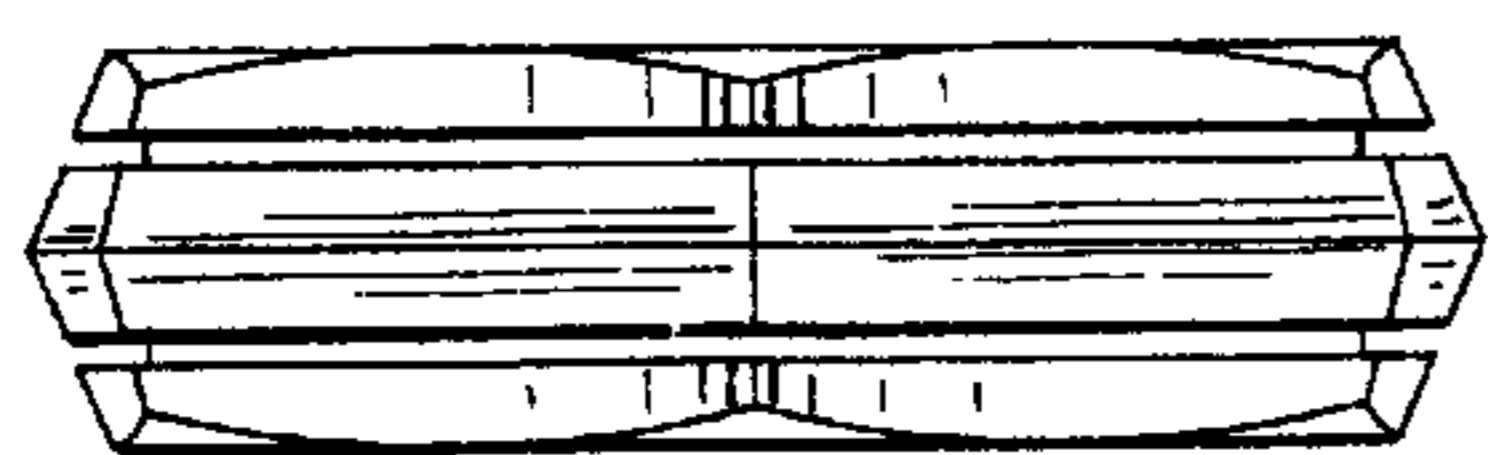


FIG. 4

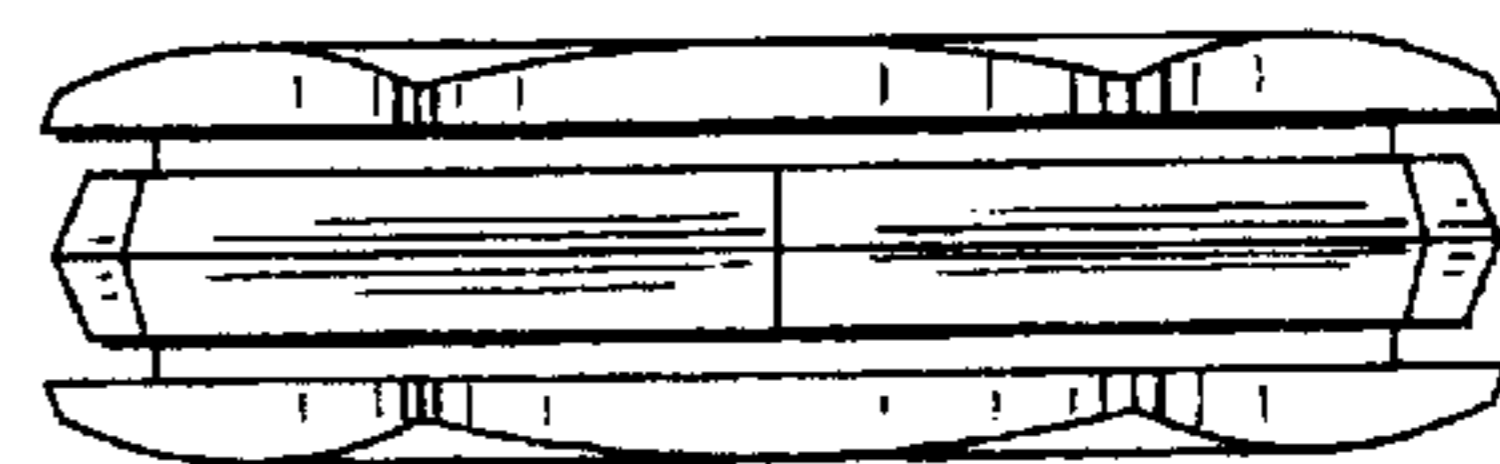


FIG. 8