



US00D439185S

(12) **United States Design Patent**  
**Asahina**

(10) **Patent No.:** **US D439,185 S**

(45) **Date of Patent:** **\*\* Mar. 20, 2001**

(54) **ELECTROMAGNETIC SOUND GENERATOR**

D. 413,278 \* 8/1999 Kuwabara ..... D10/116

(75) Inventor: **Masato Asahina**, Fujiyoshida (JP)

\* cited by examiner

(73) Assignee: **Citizen Electronics Co., Ltd.**,  
Yamanashi-ken (JP)

*Primary Examiner*—Marcus A. Jackson

(\*\*) Term: **14 Years**

(57) **CLAIM**

(21) Appl. No.: **29/125,710**

The ornamental design for an electromagnetic sound generator, as shown and described.

(22) Filed: **Jun. 29, 2000**

**DESCRIPTION**

(30) **Foreign Application Priority Data**

Dec. 30, 1999 (JP) ..... 11-37317

(51) **LOC (7) Cl.** ..... **10-05**

(52) **U.S. Cl.** ..... **D10/116**

(58) **Field of Search** ..... D10/104, 106,  
D10/116, 121; D13/152, 156; 340/384.1,  
384.3, 384.7, 388.1, 390.1, 391.1, 392.1,  
392.2, 392.4

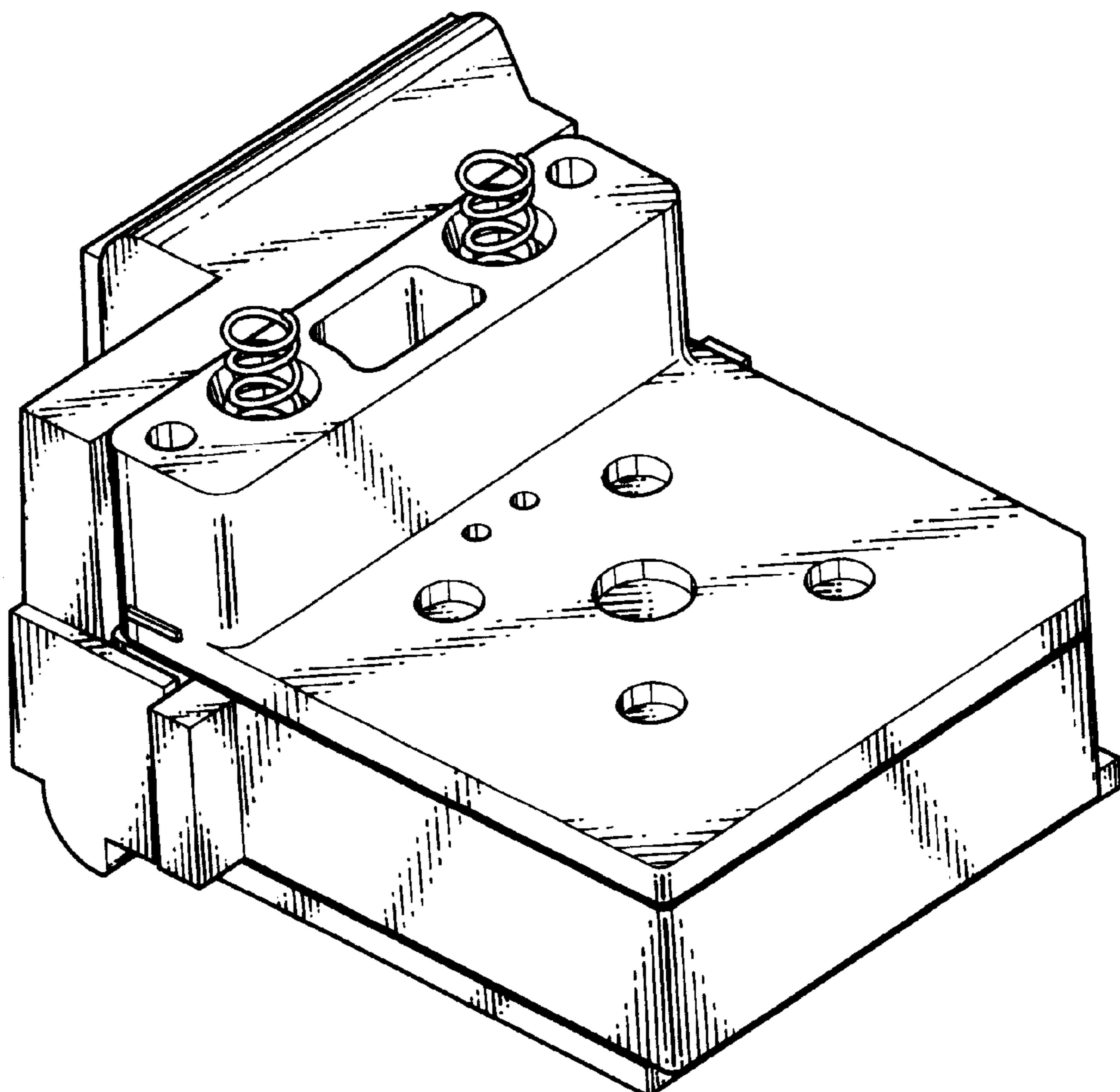
FIG. 1 is a top view of an electromagnetic sound generator embodying our new design;  
FIG. 2 is a front view thereof;  
FIG. 3 is a bottom view thereof;  
FIG. 4 is a rear view thereof;  
FIG. 5 is a right side view thereof;  
FIG. 6 is a left side view thereof;  
FIG. 7 is a perspective view as viewed from the upper side thereof;  
FIG. 8 is a perspective view as viewed from the lower side thereof; and,  
FIG. 9 is an exploded perspective view thereof.

(56) **References Cited**

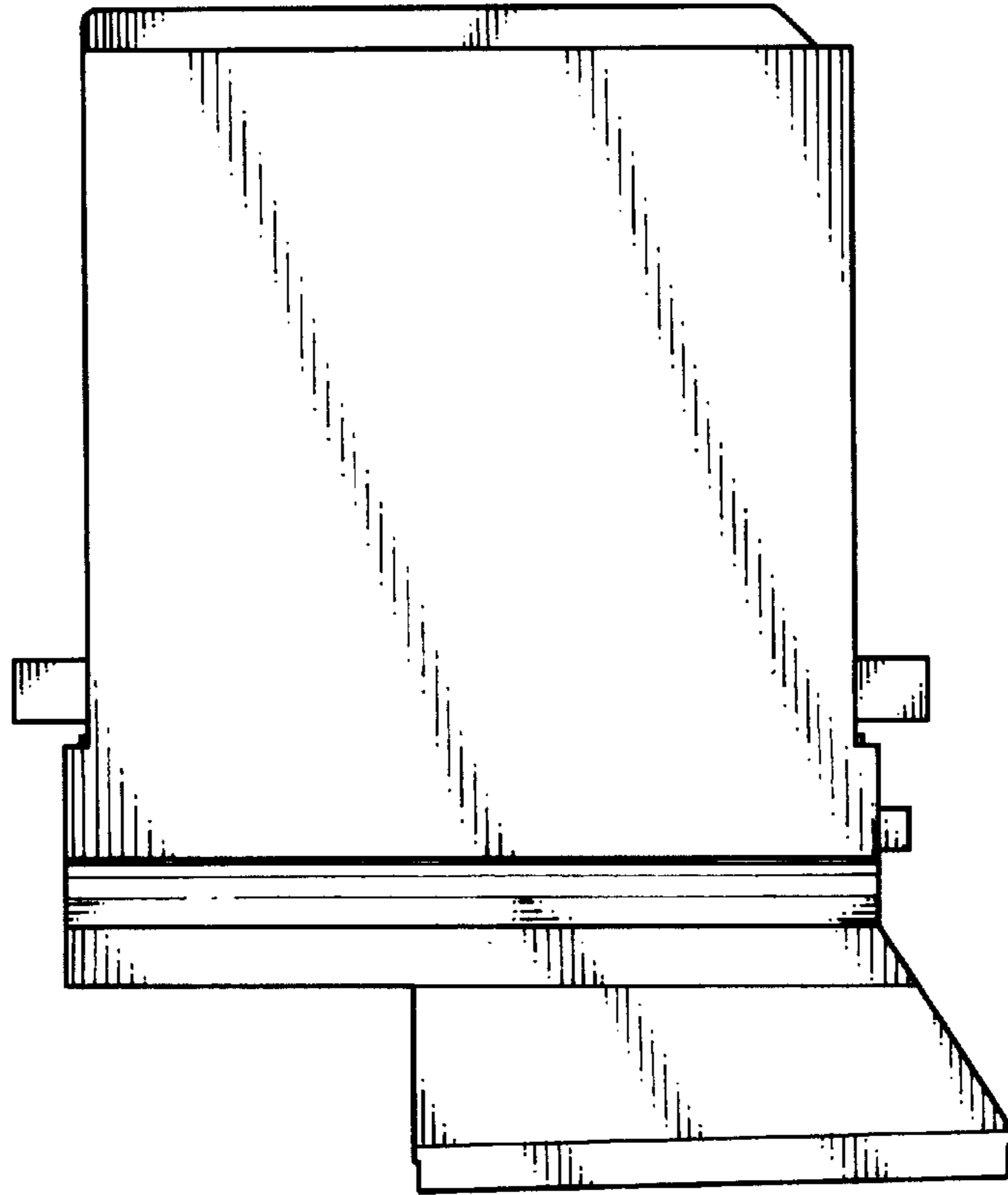
**U.S. PATENT DOCUMENTS**

D. 411,127 \* 6/1999 Kuwabara ..... D10/116

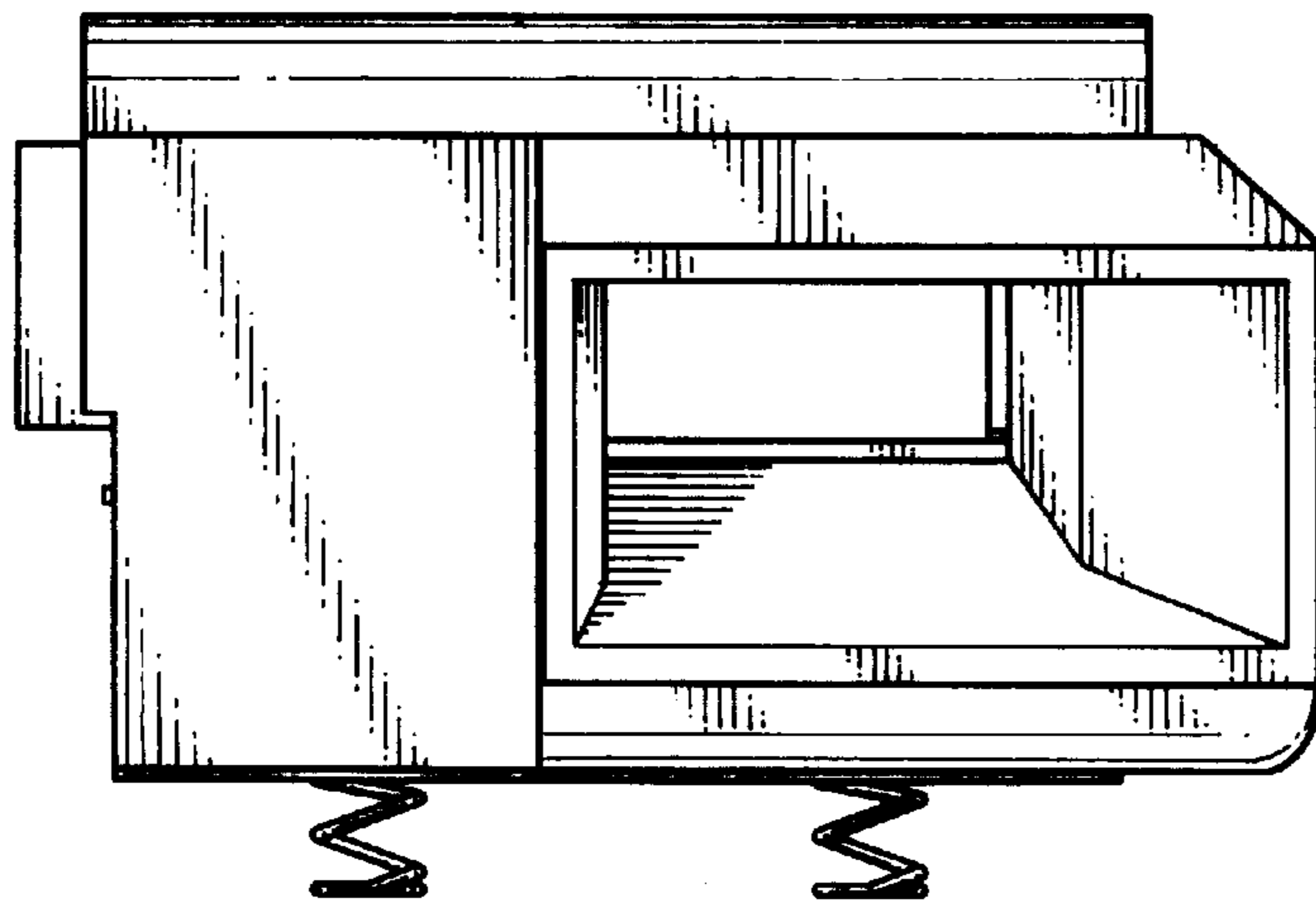
**1 Claim, 6 Drawing Sheets**



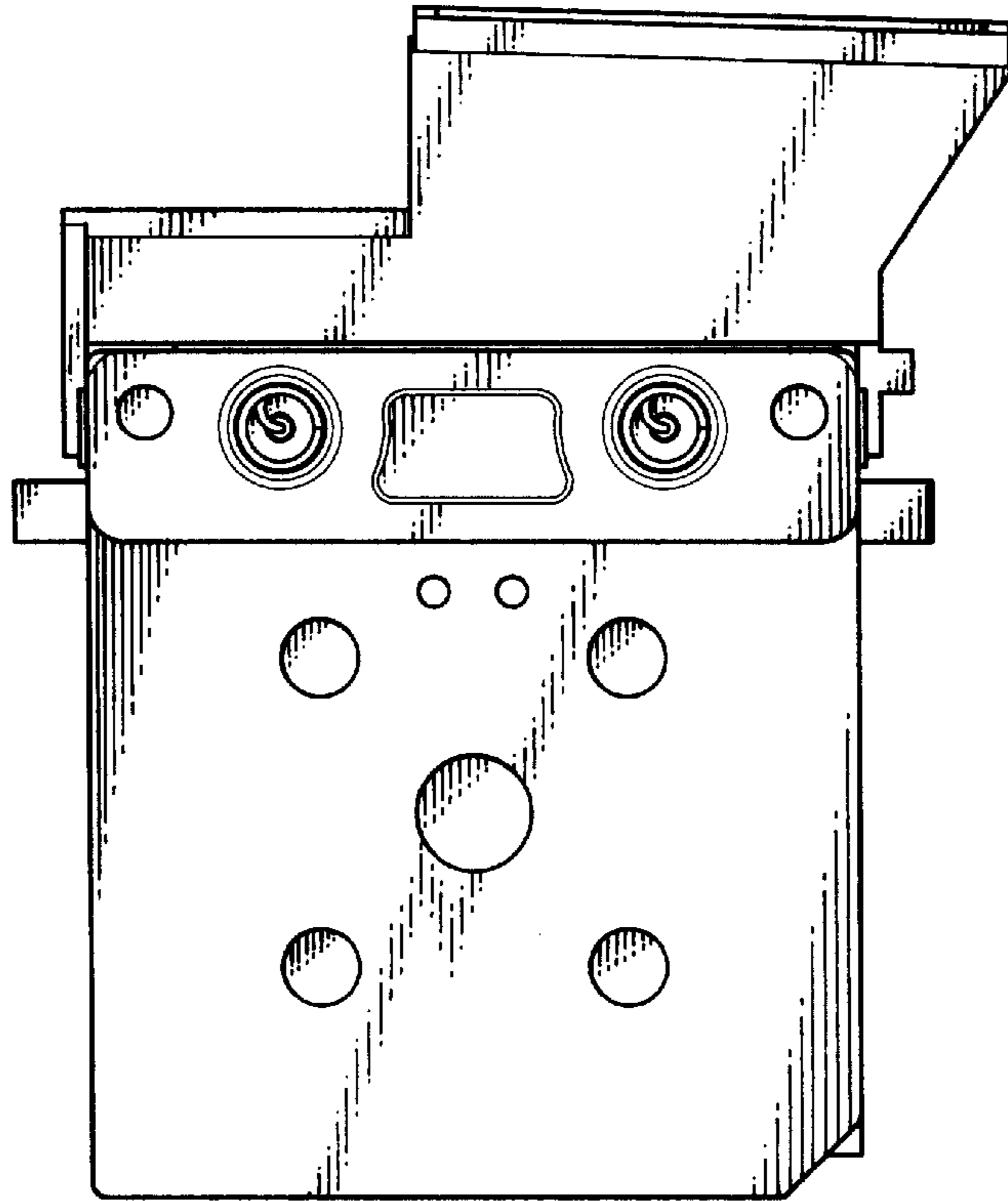
**Fig . 1**



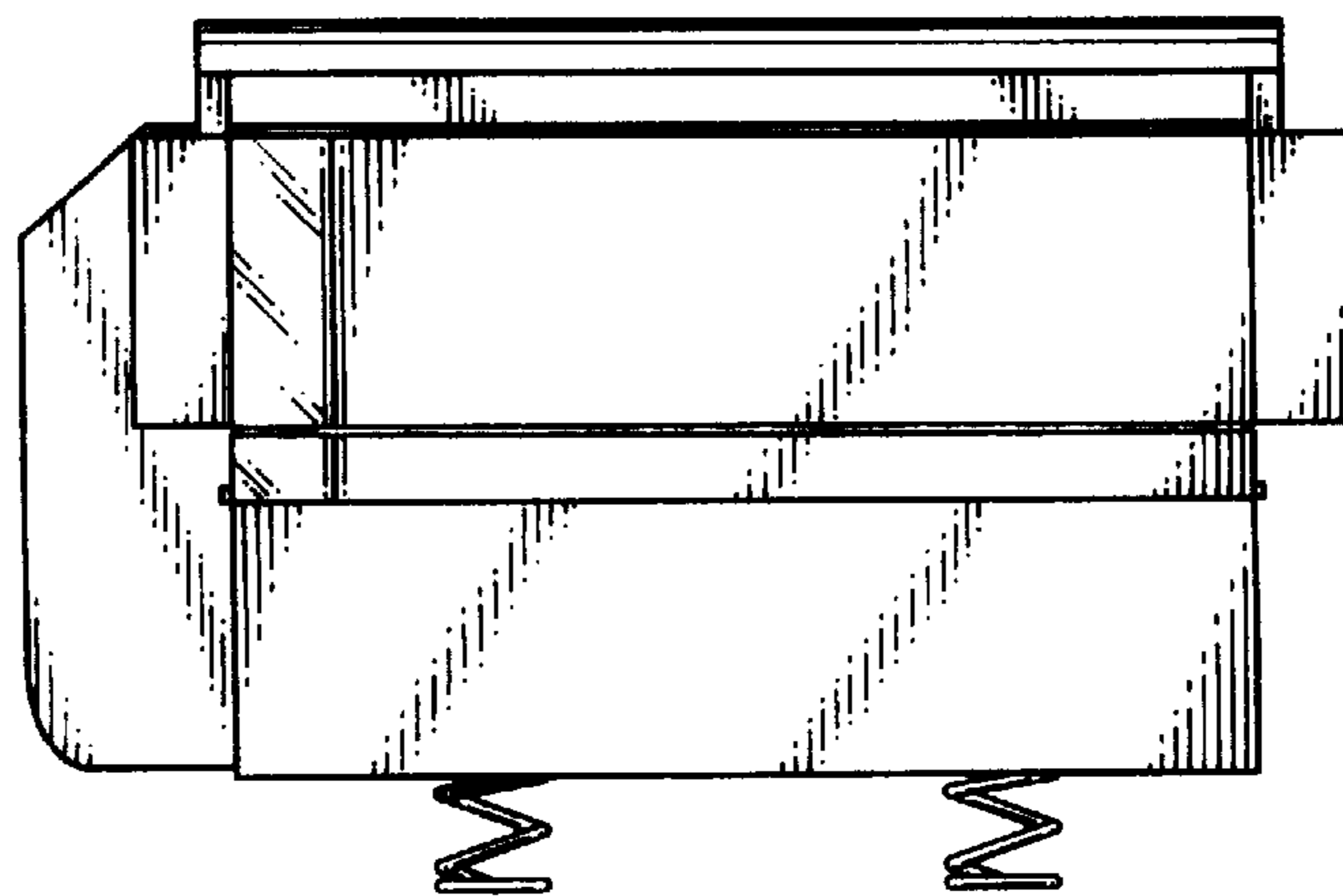
**Fig . 2**



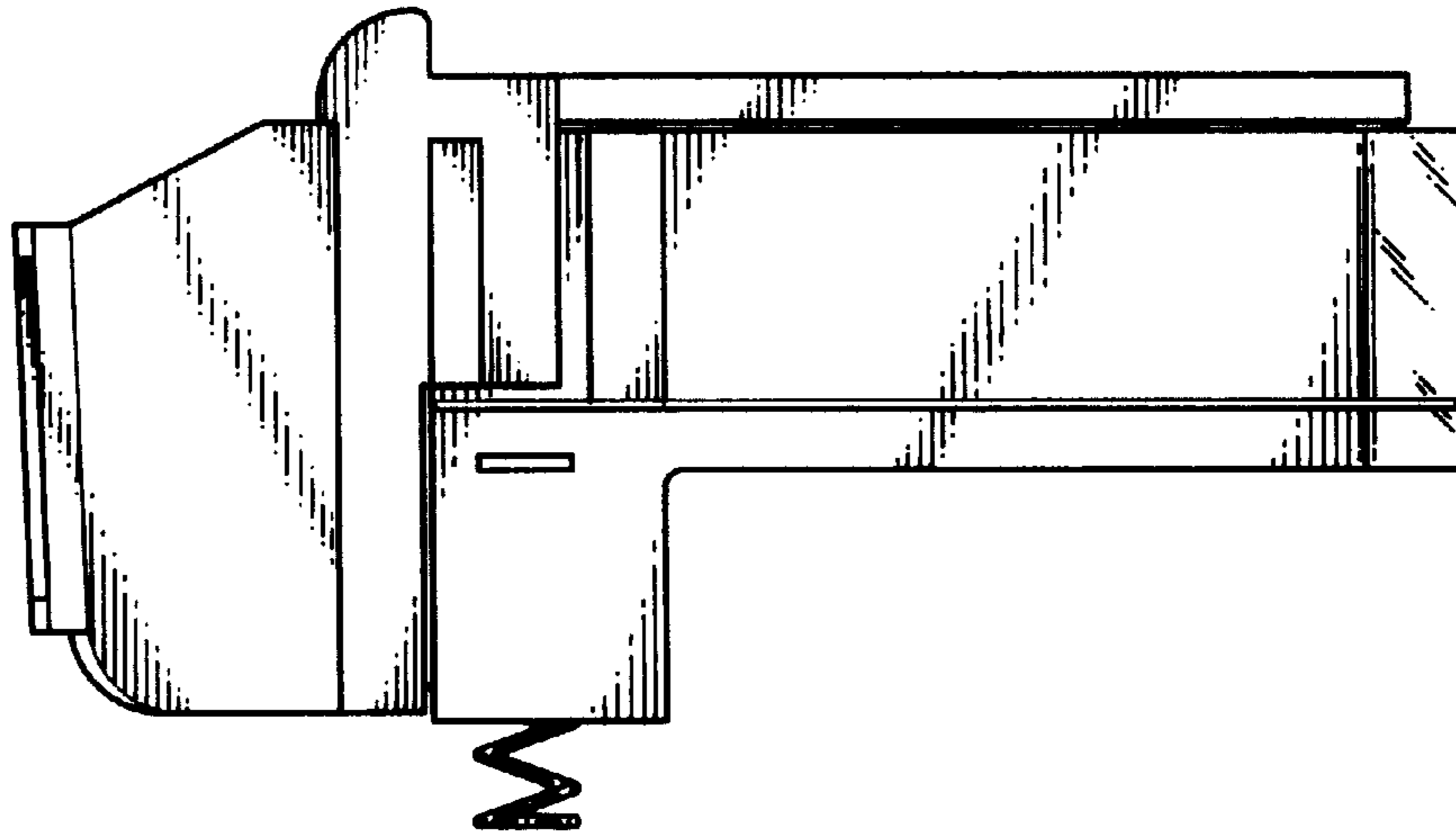
**Fig . 3**



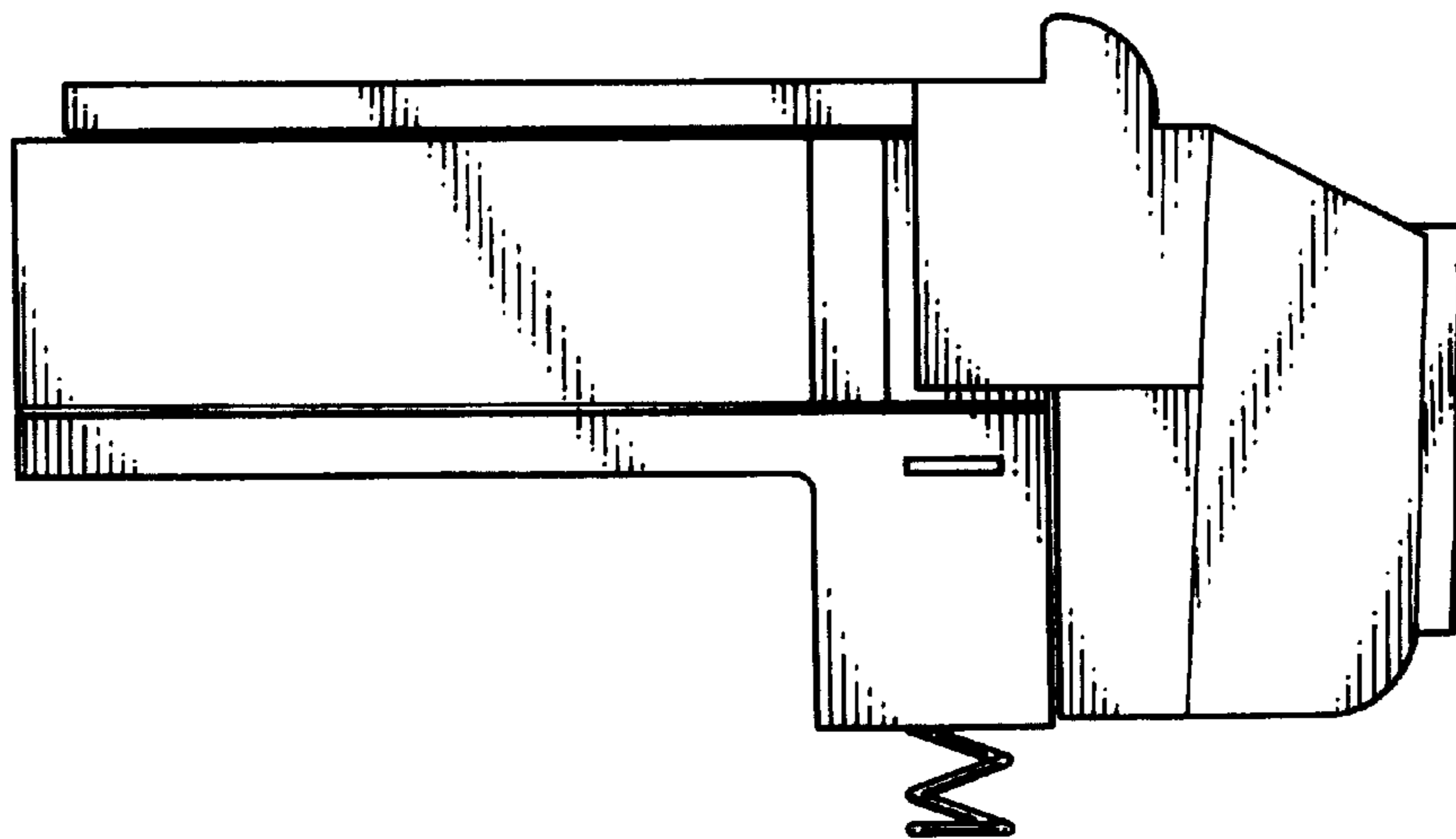
**Fig . 4**



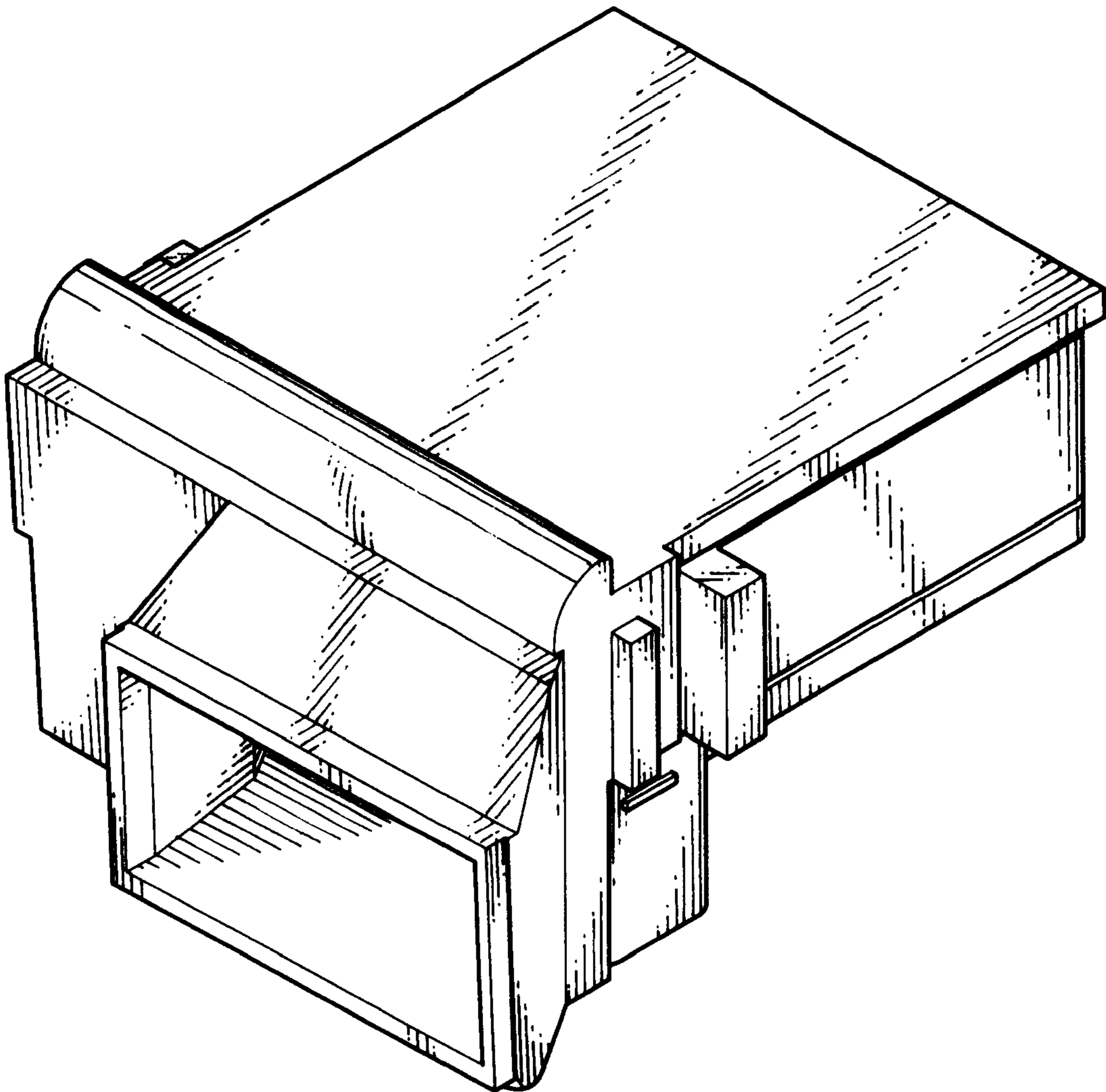
**Fig . 5**



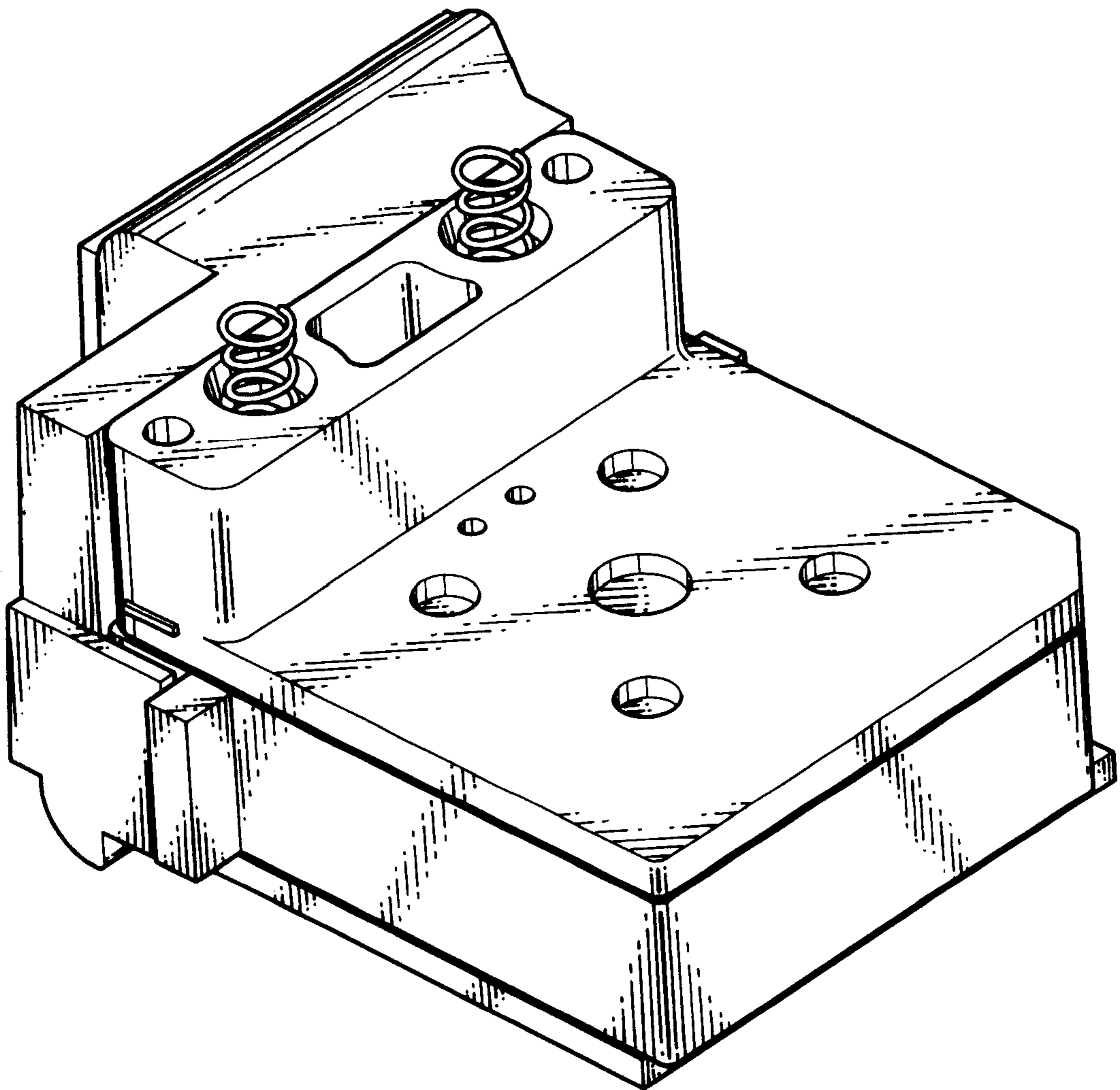
**Fig . 6**



***Fig . 7***



**Fig . 8**





**Fig . 9**

