



US00D439179S

(12) **United States Design Patent**
Fandrey et al.

(10) **Patent No.:** **US D439,179 S**

(45) **Date of Patent:** **** Mar. 20, 2001**

(54) **PRESSURE TRANSMITTER WITH SINGLE INLET BASE AND DUAL COMPARTMENT HOUSING**

6,059,254 * 5/2000 Sundet et al. 248/678

FOREIGN PATENT DOCUMENTS

0 903 651 A1 3/1999 (EP) .

OTHER PUBLICATIONS

Product Data Sheet No.: 00813-0100-4378, "Model 751 Field Signal Indicator", by Rosemount Inc., Eden Prairie, Minnesota, (1997).

Product Data Sheet No.: 00813-0100-4731, "APEX™ Radar Gauge", by Rosemount Inc., Eden Prairie, Minnesota, (1998).

Product Data Sheet No.: 00813-0100-4640, "Model 3201 Hydrostatic Interface Unit", from the Rosemount Comprehensive Product Catalog, published 1998, by Rosemount Inc., Eden Prairie, Minnesota.

Product Data Sheet No.: 00813-0100-4003, "Model 8800A", by Rosemount Inc., Eden Prairie, Minnesota, (1998).

(List continued on next page.)

Primary Examiner—Antoine Duval Davis

(74) *Attorney, Agent, or Firm*—Westman, Champlin & Kelly, P.A.

(75) **Inventors:** **Mark Fandrey; Steven M. Dennis,** both of Eden Prairie; **William J. Ballot,** New Brighton; **David A. Horky,** Mound; **Dennis J. Smith,** Minneapolis; **Kenneth G. Guttson,** Chaska; **Myles L. Miller,** Waconia, all of MN (US)

(73) **Assignee:** **Rosemount Inc.,** Eden Prairie, MN (US)

(**) **Term:** **14 Years**

(21) **Appl. No.:** **29/120,538**

(22) **Filed:** **Mar. 21, 2000**

(51) **LOC (7) Cl.** **10-04**

(52) **U.S. Cl.** **D10/85**

(58) **Field of Search** D10/85, 96; 73/700-756

(56) **References Cited**

U.S. PATENT DOCUMENTS

D. 287,827	1/1987	Broden	D10/46
D. 296,995	8/1988	Lee	D10/46
D. 297,314	8/1988	Hedtke	D10/46
D. 297,315	8/1988	Pierce et al.	D10/85
D. 317,266	6/1991	Broden et al.	D10/46
D. 317,269	6/1991	Selg	D10/52
D. 318,432	7/1991	Broden et al.	D10/46
D. 329,619	9/1992	Cartwright	D10/52
D. 342,456	12/1993	Miller et al.	D10/60
D. 358,784	5/1995	Templin, Jr. et al.	D10/96
D. 366,000 *	1/1996	Karas et al.	D10/85
D. 366,218	1/1996	Price et al.	D10/52
5,369,386 *	11/1994	Alden et al.	335/206
5,656,782 *	8/1997	Powell, II et al.	73/756
5,823,228 *	10/1998	Chou	137/597
5,920,016 *	7/1999	Broden	73/756
5,988,203 *	11/1999	Hutton	137/597 X
6,038,927 *	3/2000	Karas	73/706

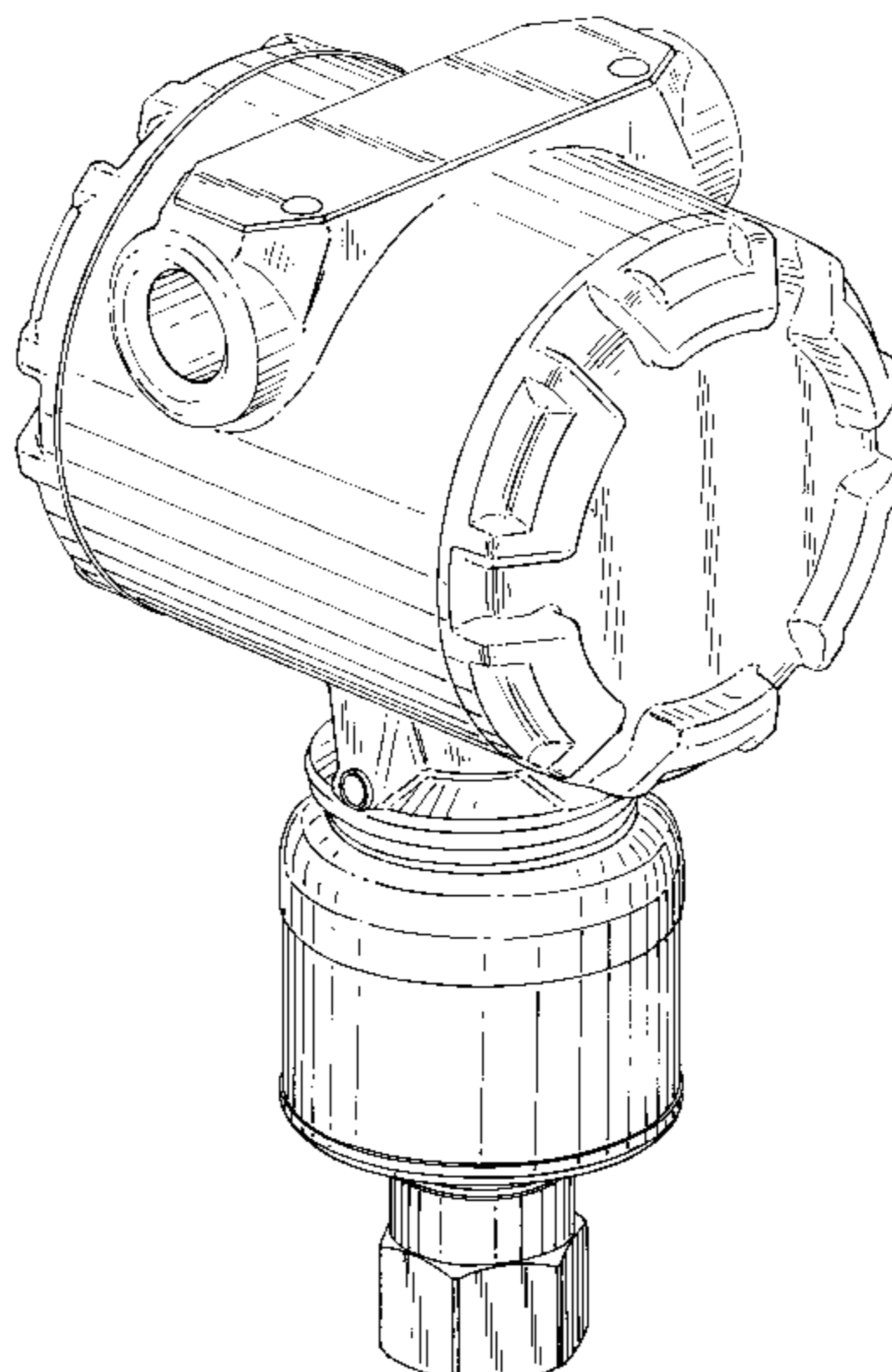
(57) **CLAIM**

The ornamental design for a pressure transmitter with single inlet base and dual compartment housing, as shown and described.

DESCRIPTION

FIG. 1 is a perspective view;
FIG. 2 is a top plan view;
FIG. 3 is a front elevational view;
FIG. 4 is a left side view;
FIG. 5 is a right side view;
FIG. 6 is a rear elevational side view; and,
FIG. 7 is a bottom plan view.
The broken line showing is for illustrative purposes only and forms no part of the claimed design.

1 Claim, 7 Drawing Sheets



OTHER PUBLICATIONS

Product Data Sheet No.: 00813-0100-4773, "Model 8742C—Magnetic Flowmeter Transmitter with Foundation™ Fieldbus", from the Rosemount Comprehensive Product Catalog, published 1998, by Rosemount Inc., Eden Prairie, Minnesota.

Rosemount Model 8732C Magnetic Flowmeter Transmitter, by Rosemount Inc., Eden Prairie Minnesota, (1998).

Product Data Sheet No.: 00813-0100-4263, "Model 444 Alphaline® Temperature Transmitters", by Rosemount Inc., Eden Prairie, Minnesota, (1997).

Product Data Sheet No.: 00813-0100-4769, "Model 3244MV Multivariable Temperature Transmitter with Foundation™ Fieldbus", by Rosemount Inc., Eden Prairie, Minnesota, (1998).

Product Data Sheet No.: 00813-0010-4724, "Models 3144 and 3244MV Smart Temperature Transmitters", by Rosemount Inc., Eden Prairie, Minnesota, (1998).

Product Data Sheet No.: 00813-0100-4738, "Model 3095FB Multivariable™ Transmitter with Modbus™ Protocol", by Rosemount Inc., Eden Prairie, Minnesota, (1996, 1997).

Product Data Sheet No.: 00813-0100-4001, "Model 3051 Digital Pressure Transmitter for Pressure, Flow, and Level Measurement", by Rosemount Inc., Eden Prairie, Minnesota, (1998).

Product Data Sheet No.: 00813-0100-4698, "Model 2090F Sanitary Pressure Transmitter", by Rosemount Inc., Eden Prairie, Minnesota, (1998).

Product Data Sheet No.: 00813-0100-4690, "Model 2088 Economical Smart Pressure Transmitter", by Rosemount Inc., Eden Prairie, Minnesota, (1998).

Product Data Sheet No.: 00813-0100-4592, "Model 2024 Differential Pressure Transmitter", by Rosemount Inc., Eden Prairie, Minnesota, (1987-1995).

Product Data Sheet No.: 00813-0100-4360, "Model 1151 Alphaline® Pressure Transmitters", by Rosemount Inc., Eden Prairie, Minnesota, (1998).

Product Data Sheet No.: 00813-0100-4458, "Model 1135F Pressure-to-Current Converter", by Rosemount Inc., Eden Prairie, Minnesota, (1983, 1986, 1994).

* cited by examiner

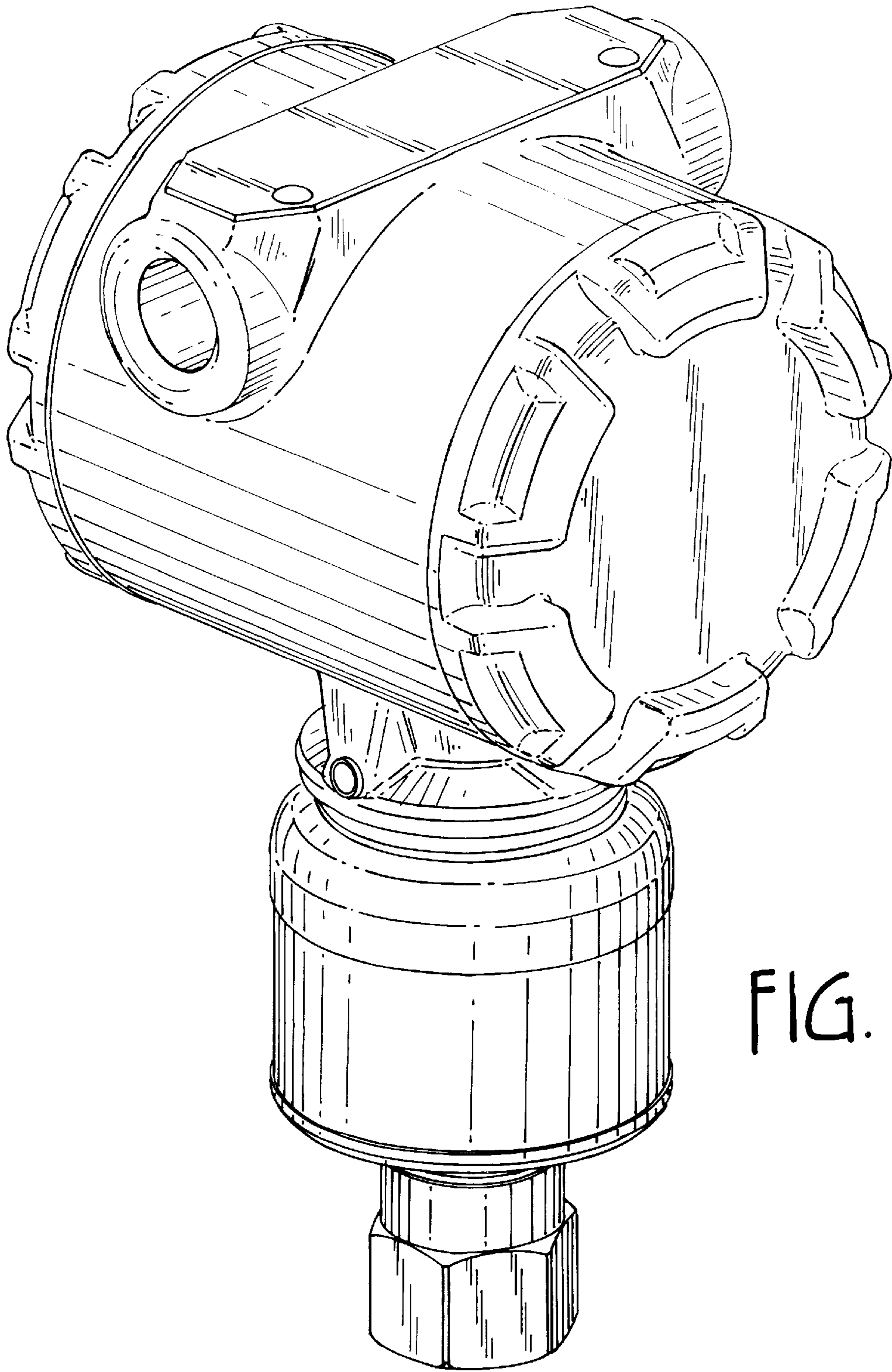


FIG. 1

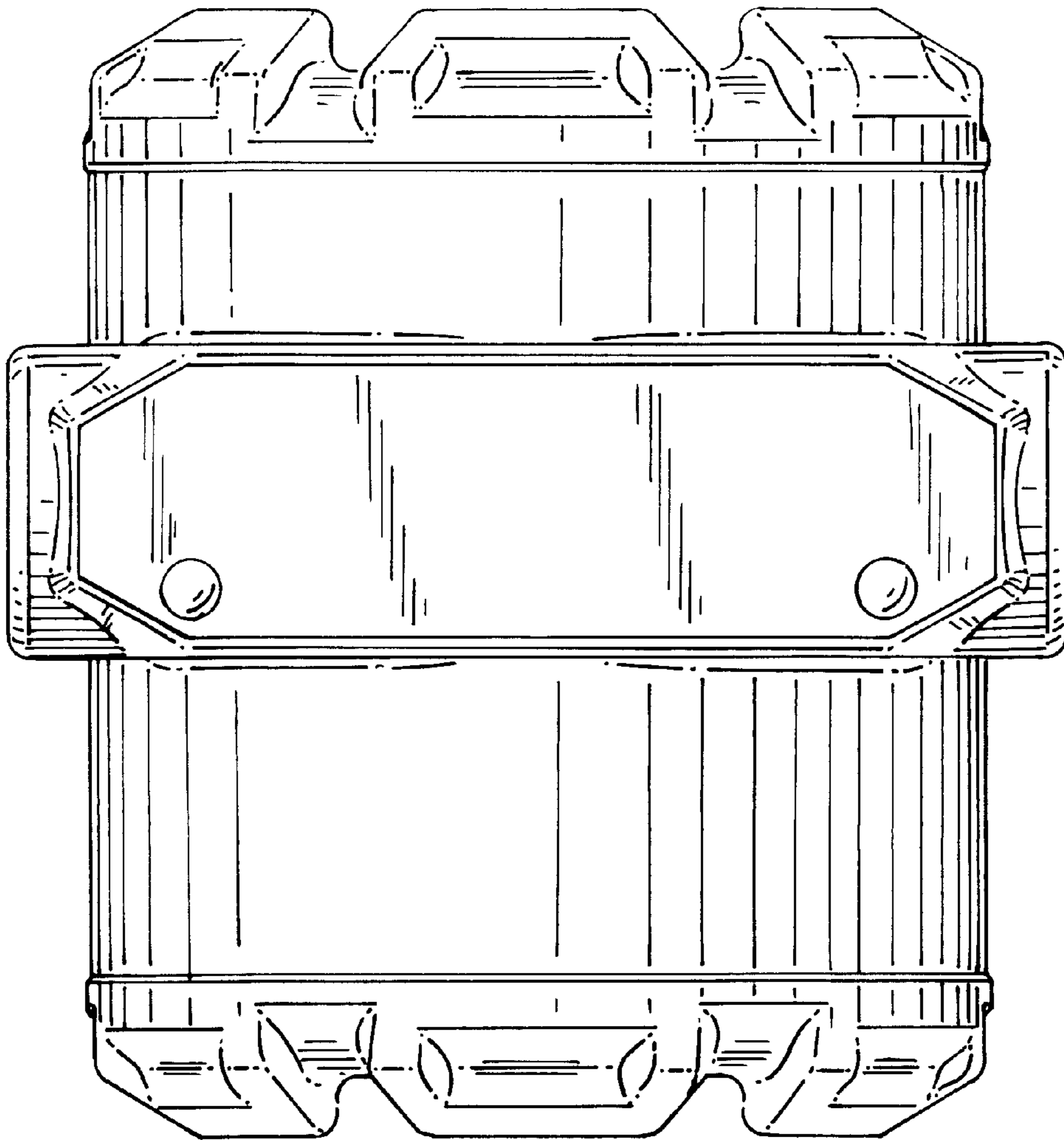


FIG. 2

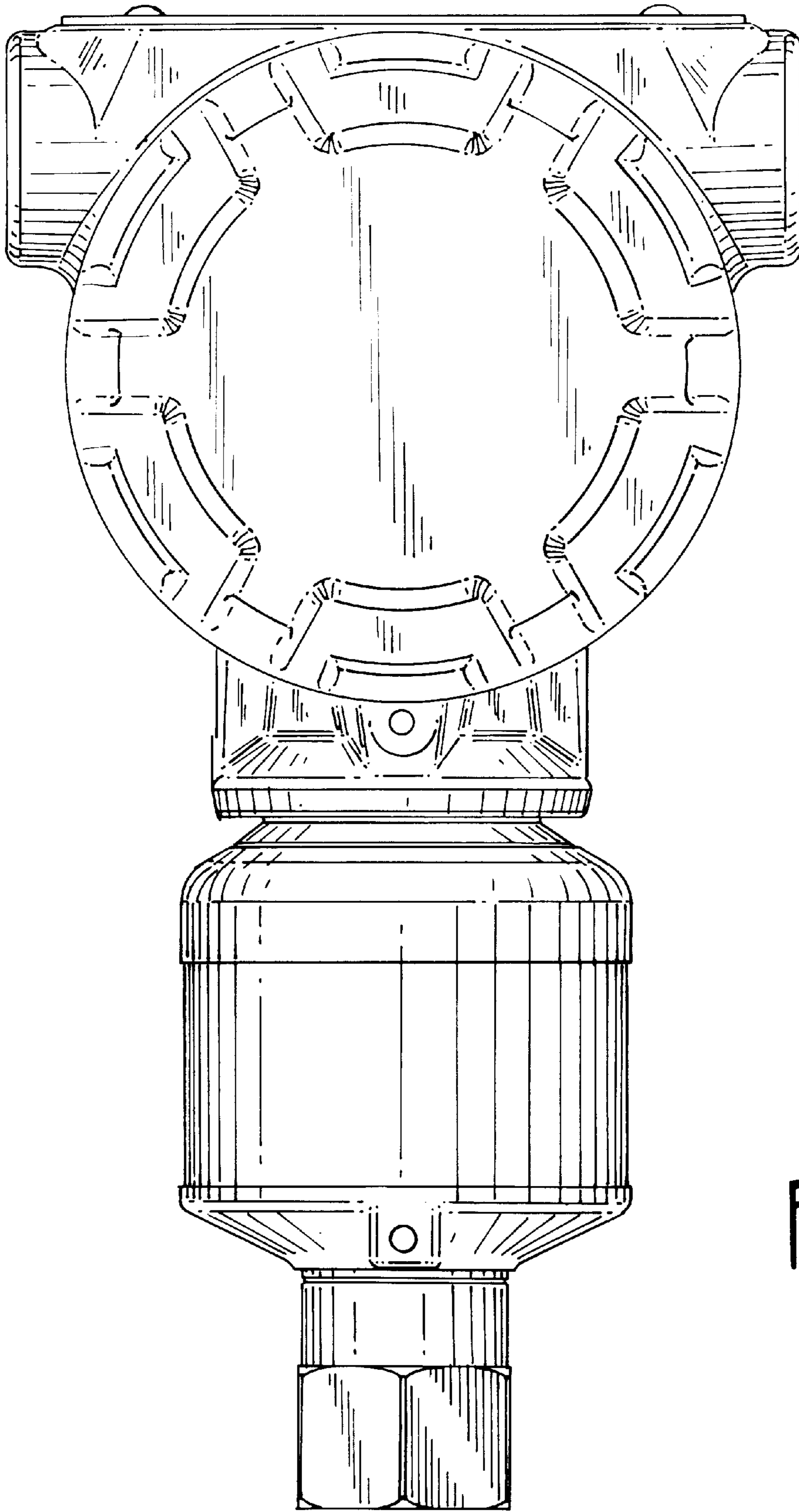


FIG. 3

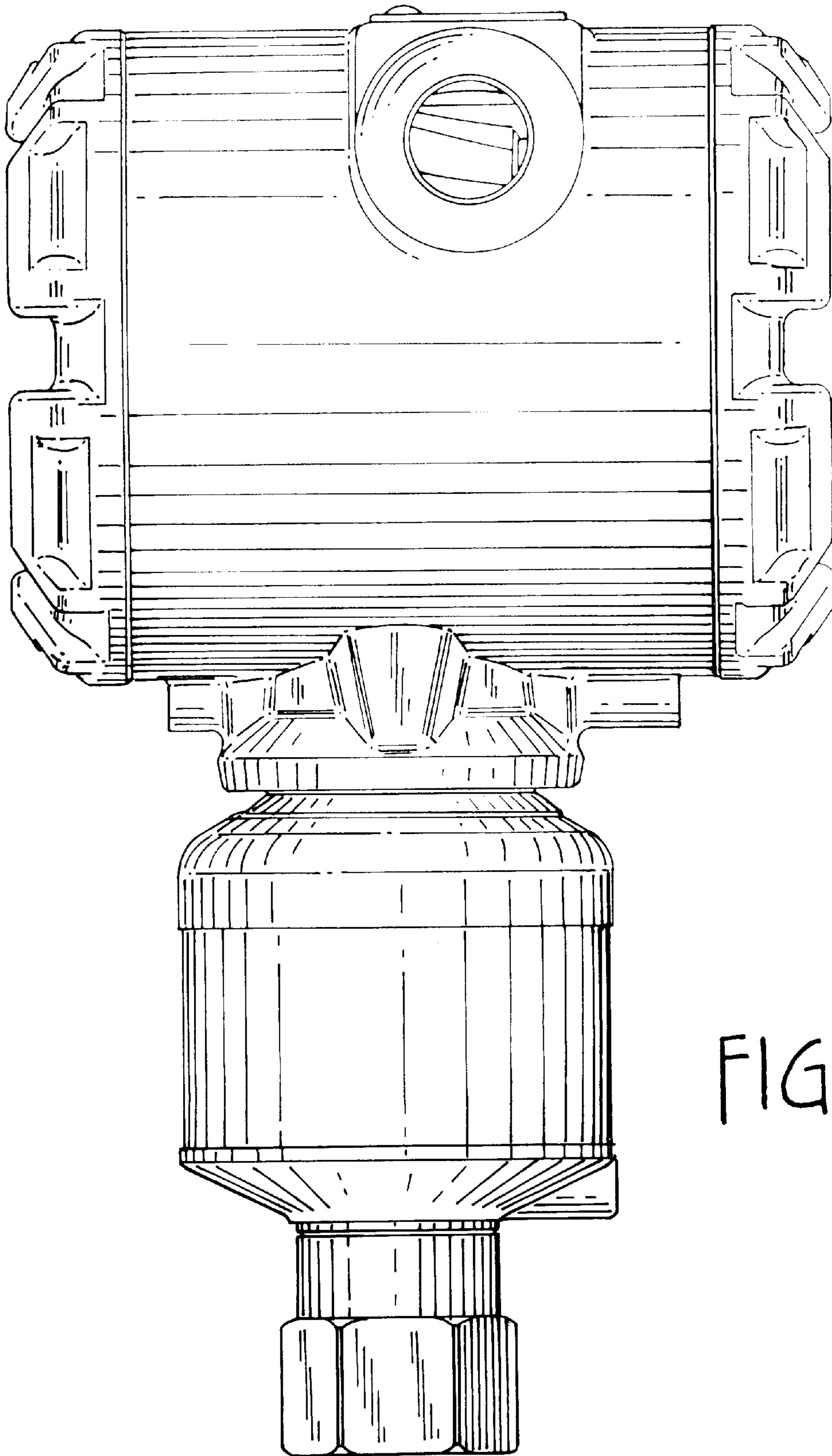


FIG. 4

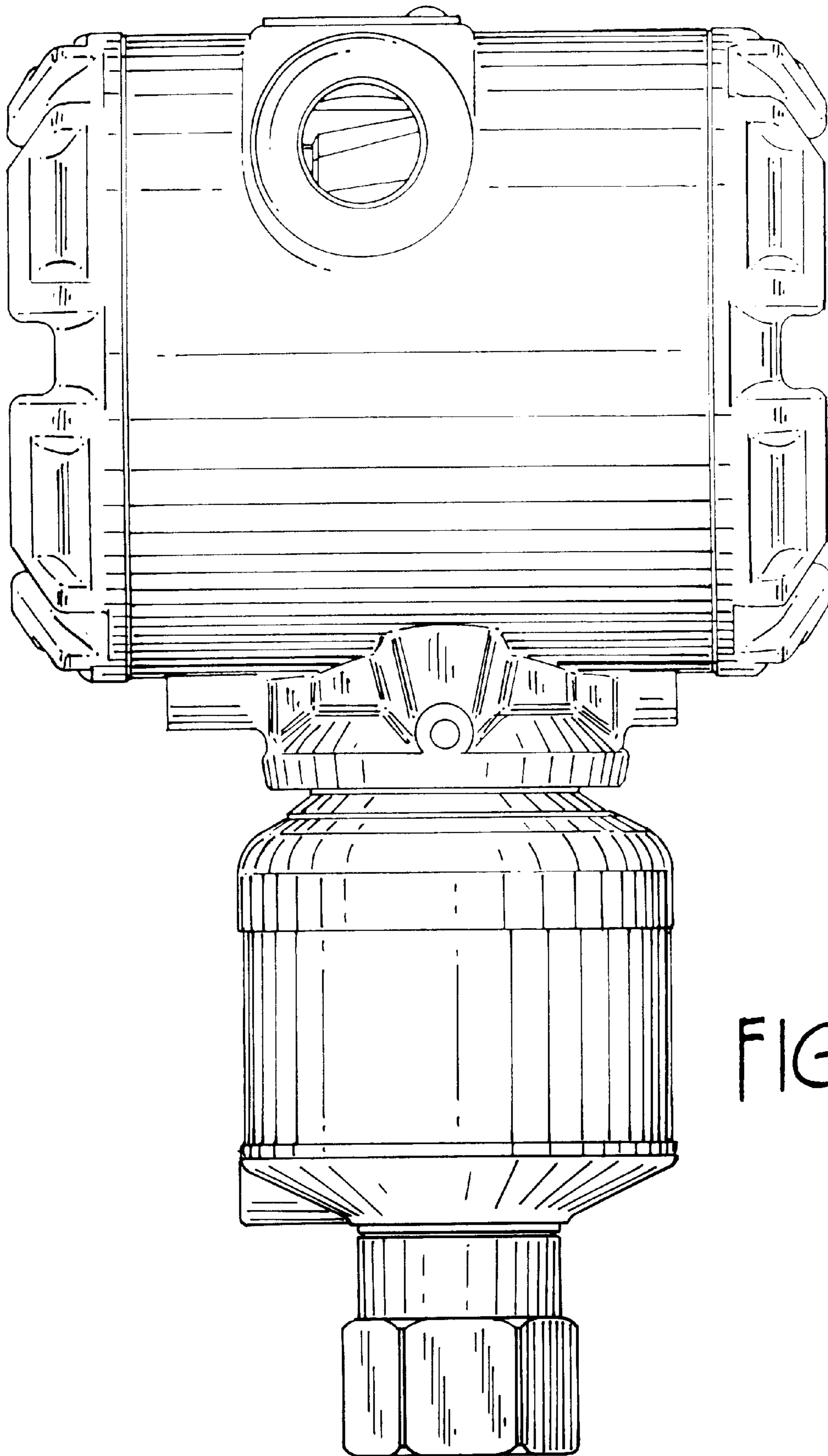


FIG. 5

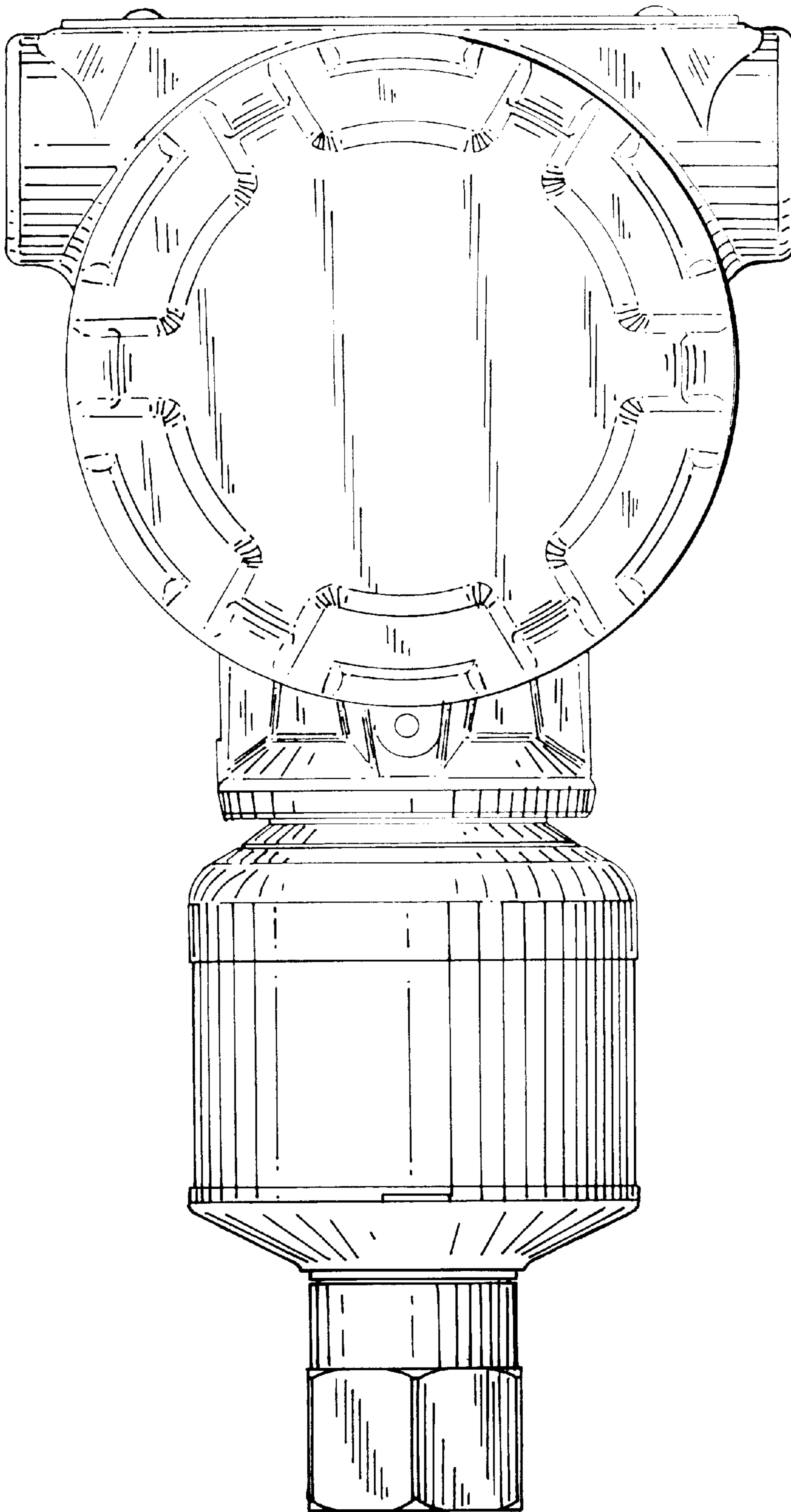


FIG. 6

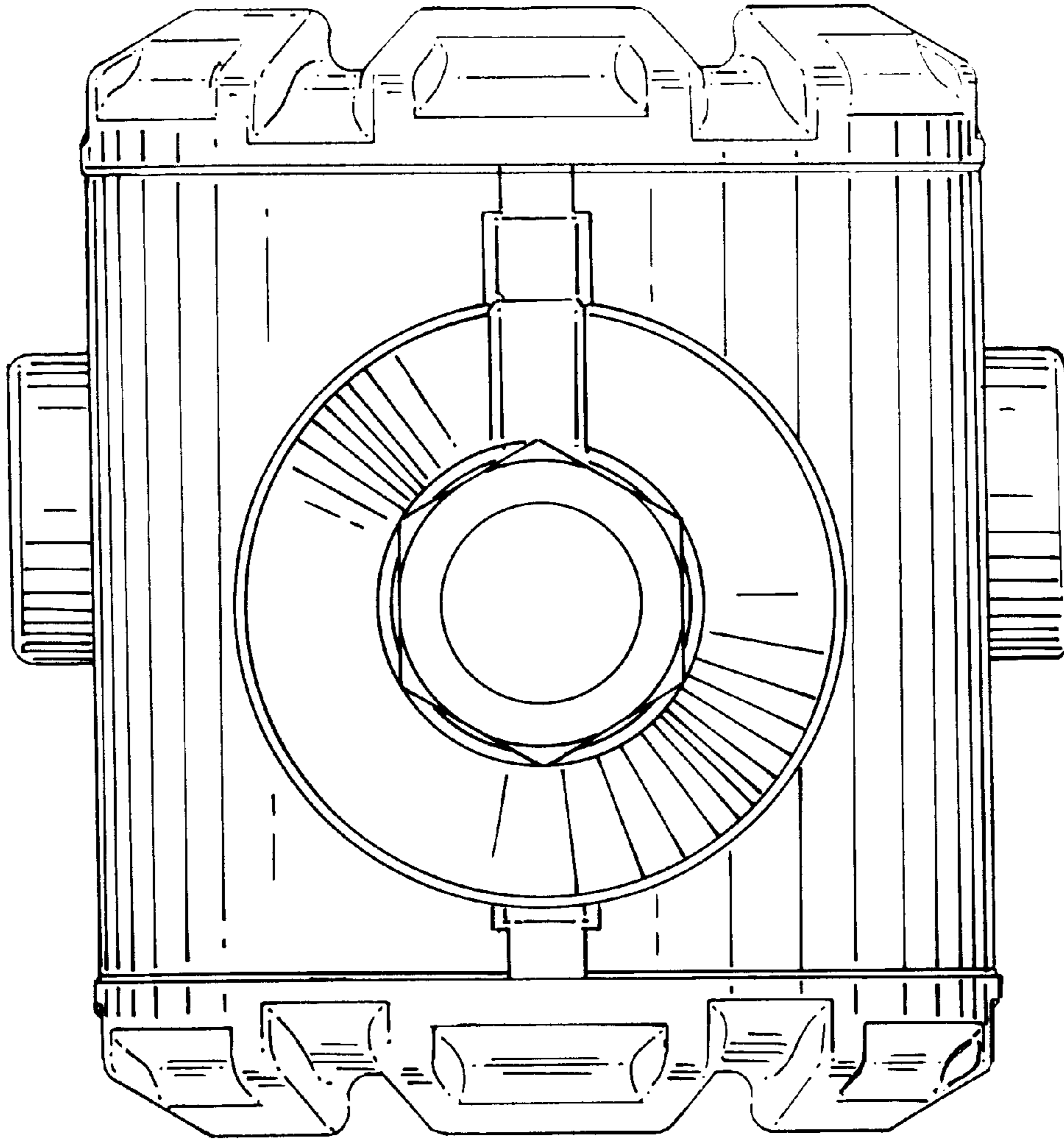


FIG. 7

UNITED STATES PATENT AND TRADEMARK OFFICE
CERTIFICATE OF CORRECTION

PATENT NO. : Des 439,179 S
DATED : March 20, 2001
INVENTOR(S) : Mark Fandrey et al.

Page 1 of 1

It is certified that error appears in the above-identified patent and that said Letters Patent is hereby corrected as shown below:

Title page.

Item [56], **References Cited**, OTHER PUBLICATIONS,

change "Product Data Sheet No: 00813-0010-4724,

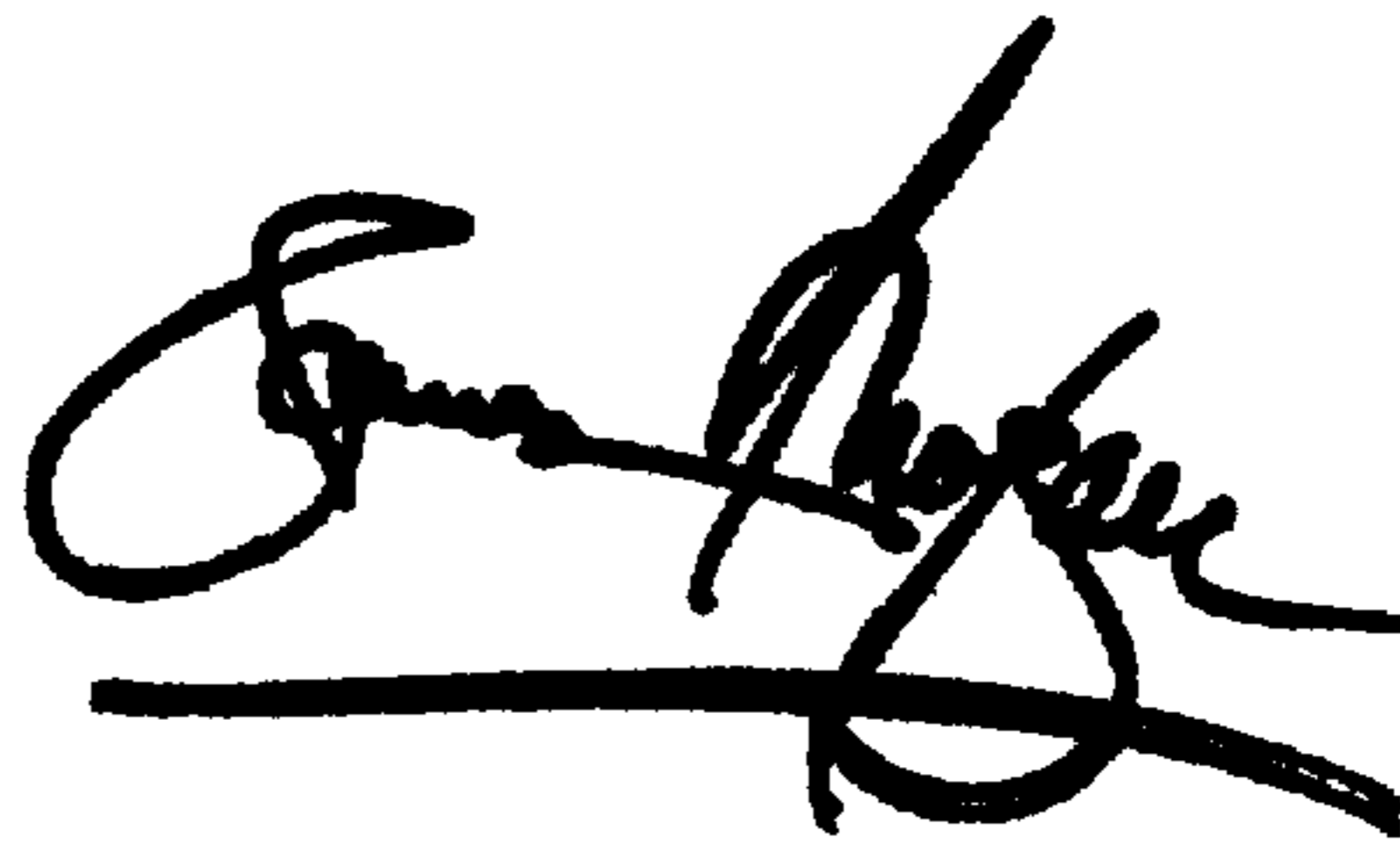
"Models 3144 and 3244MV Smart Temperature Transmitters", by Rosemount Inc.,
Eden Prairie, Minnesota, (1998)."

to -- Product Data Sheet No: 00813-0100-4724, "Models 3144 and 3244MV Smart
Temperature Transmitters", by Rosemount Inc., Eden Prairie, Minnesota, (1998). --

Signed and Sealed this

Twenty-fifth Day of December, 2001

Attest:



Attesting Officer

JAMES E. ROGAN
Director of the United States Patent and Trademark Office