



US00D439176S

(12) **United States Design Patent**  
**Lin**

(10) **Patent No.:** **US D439,176 S**

(45) **Date of Patent:** **\*\* Mar. 20, 2001**

(54) **MEASURING TAPE**

6,115,931 \* 9/2000 Arcand ..... 33/755 X

\* cited by examiner

(76) Inventor: **Ping-Nan Lin**, No.826, Sec2,  
Chung-Shan Rd., Tai-Shan Hsiang,  
Taipei Hsien (TW)

*Primary Examiner*—Antoine Duval Davis  
(74) *Attorney, Agent, or Firm*—Rabin & Champagne, P.C.

(\*\*) Term: **14 Years**

(57) **CLAIM**

(21) Appl. No.: **29/123,085**

The ornamental design for a measuring tape, as shown and described.

(22) Filed: **May 11, 2000**

**DESCRIPTION**

(51) **LOC (7) Cl.** ..... **10-04**

FIG. 1 is a perspective view of a measuring tape showing my new design;

(52) **U.S. Cl.** ..... **D10/72**

FIG. 2 is a front elevation view thereof;

(58) **Field of Search** ..... D10/72; 33/755-770

FIG. 3 is a rear elevation view thereof;

(56) **References Cited**

**U.S. PATENT DOCUMENTS**

D. 315,109 \* 3/1991 Ingram, II et al. .... D10/72

D. 348,691 \* 7/1994 Bell et al. .... D10/72

D. 392,197 \* 3/1998 Reynolds ..... D10/72

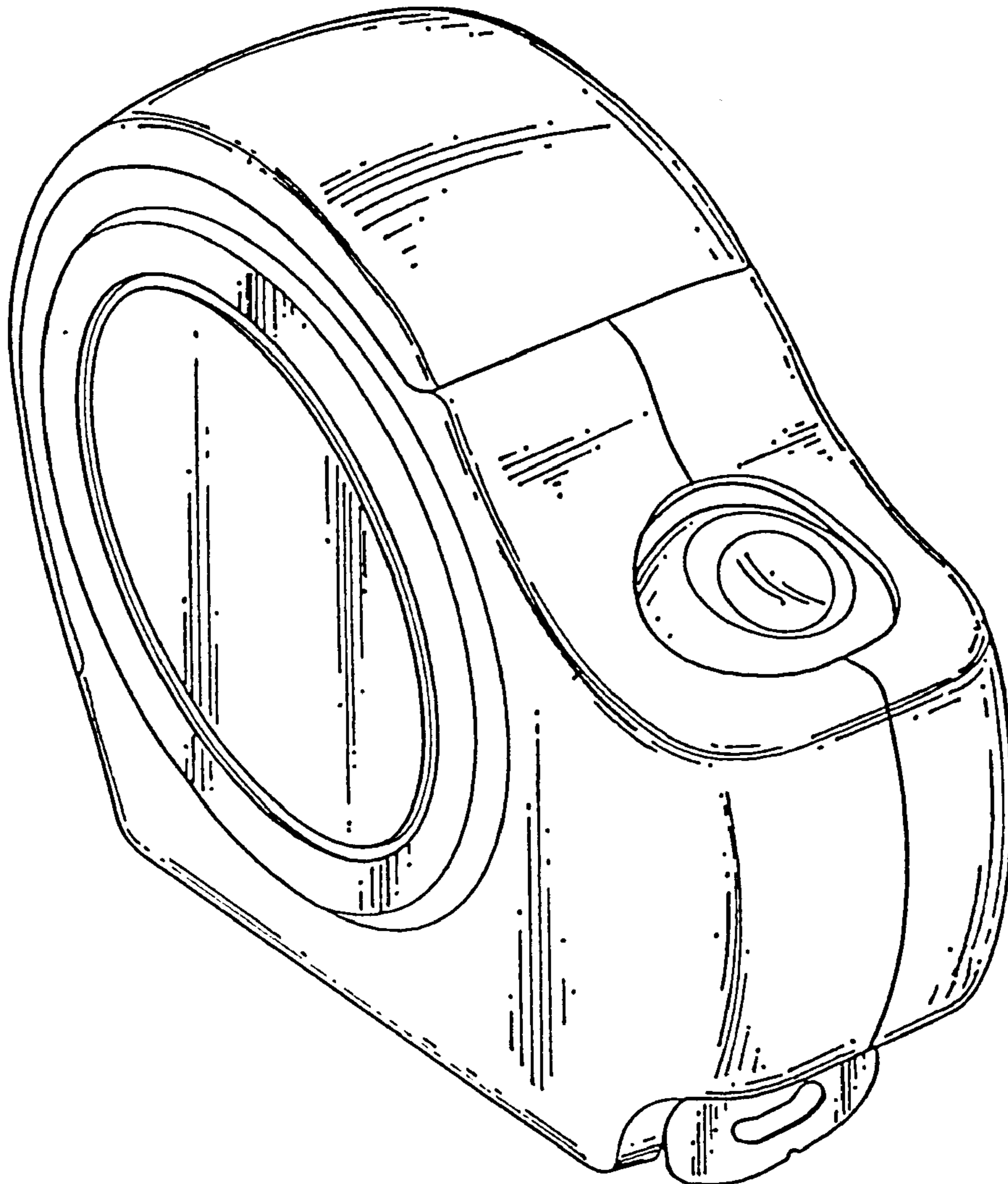
FIG. 4 is a left side elevation view thereof;

FIG. 5 is a right side elevation view thereof;

FIG. 6 is a top plan view thereof; and,

FIG. 7 is a bottom plan view thereof.

**1 Claim, 4 Drawing Sheets**



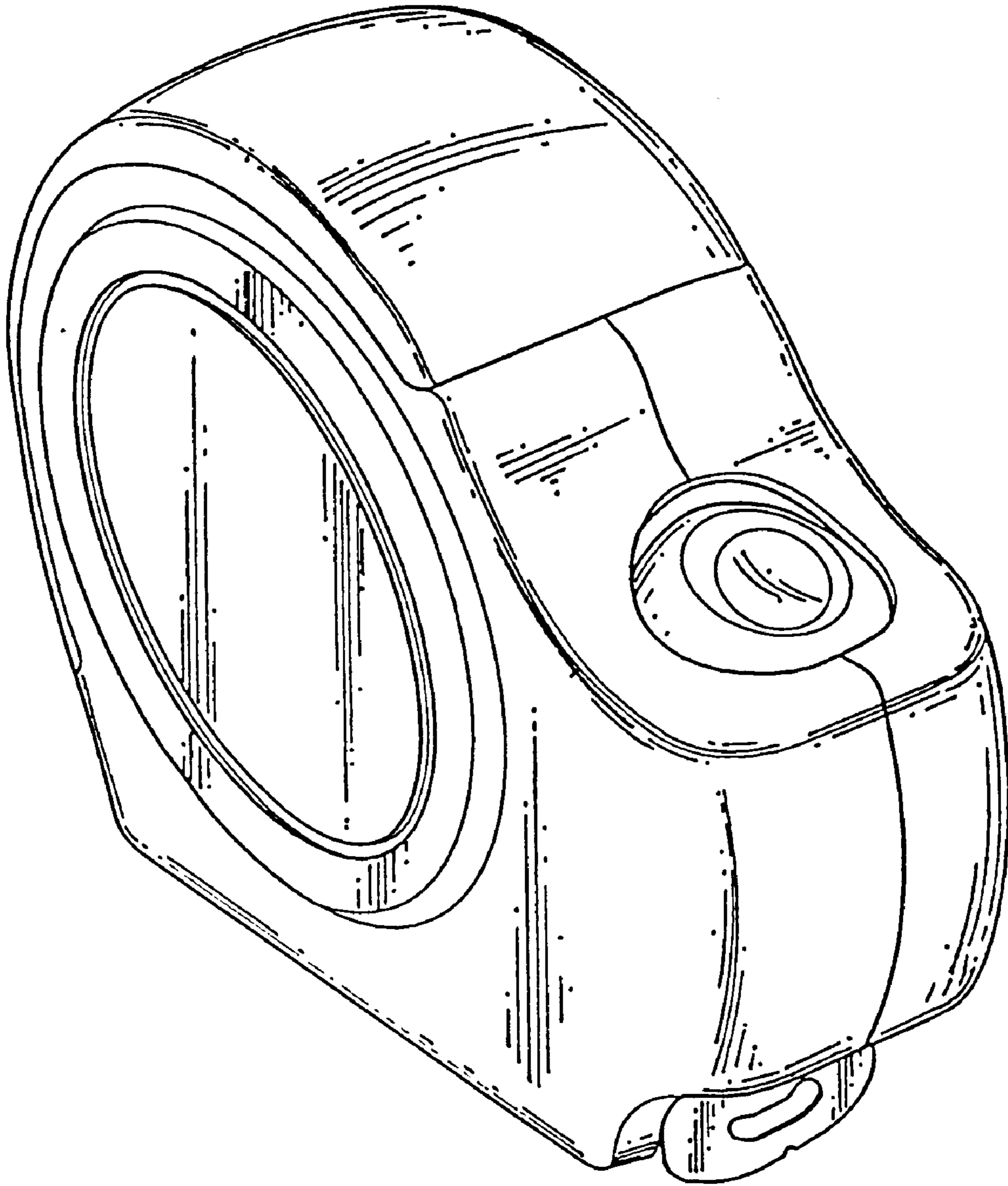


FIG. 1

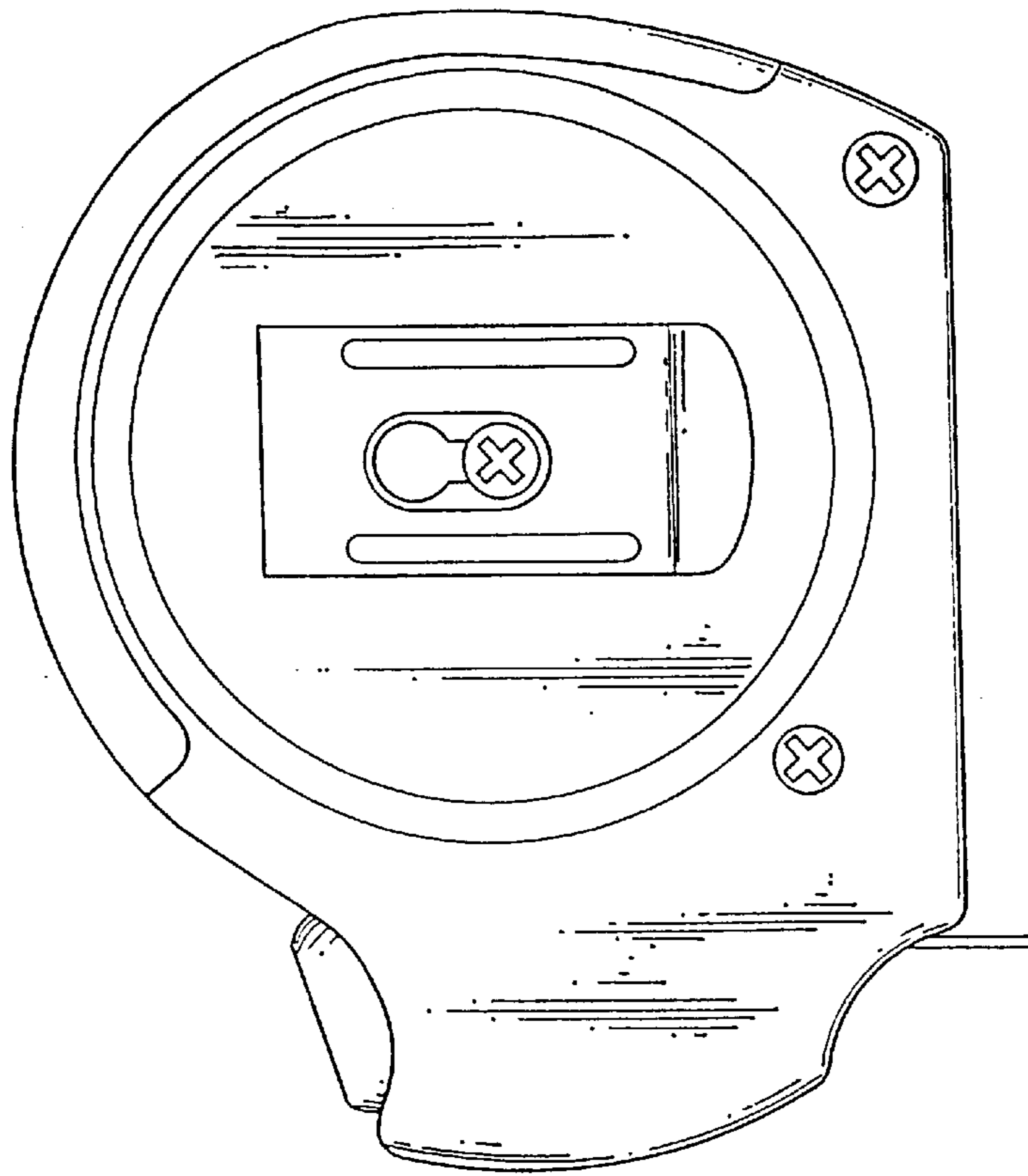


FIG.3

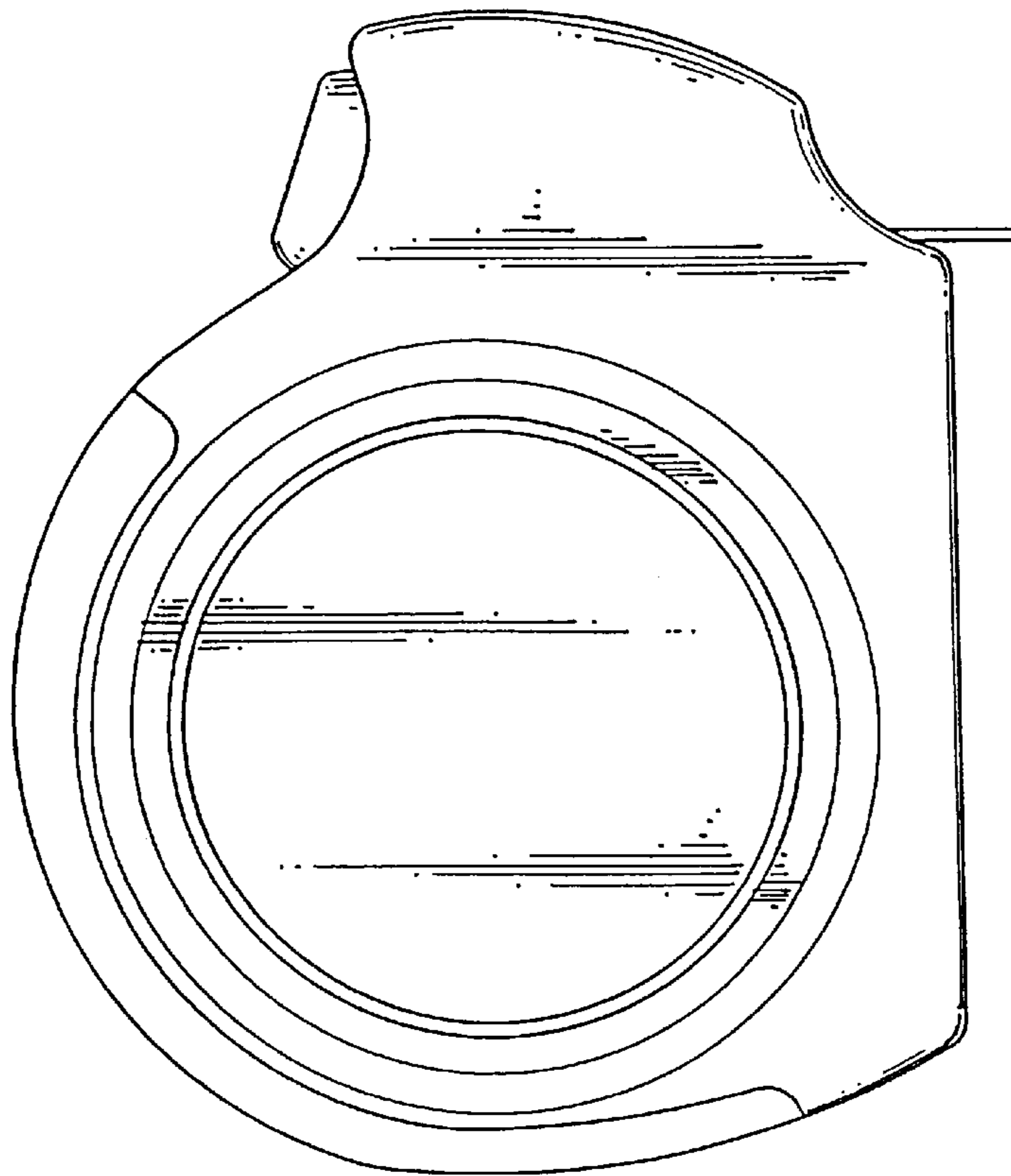


FIG.2

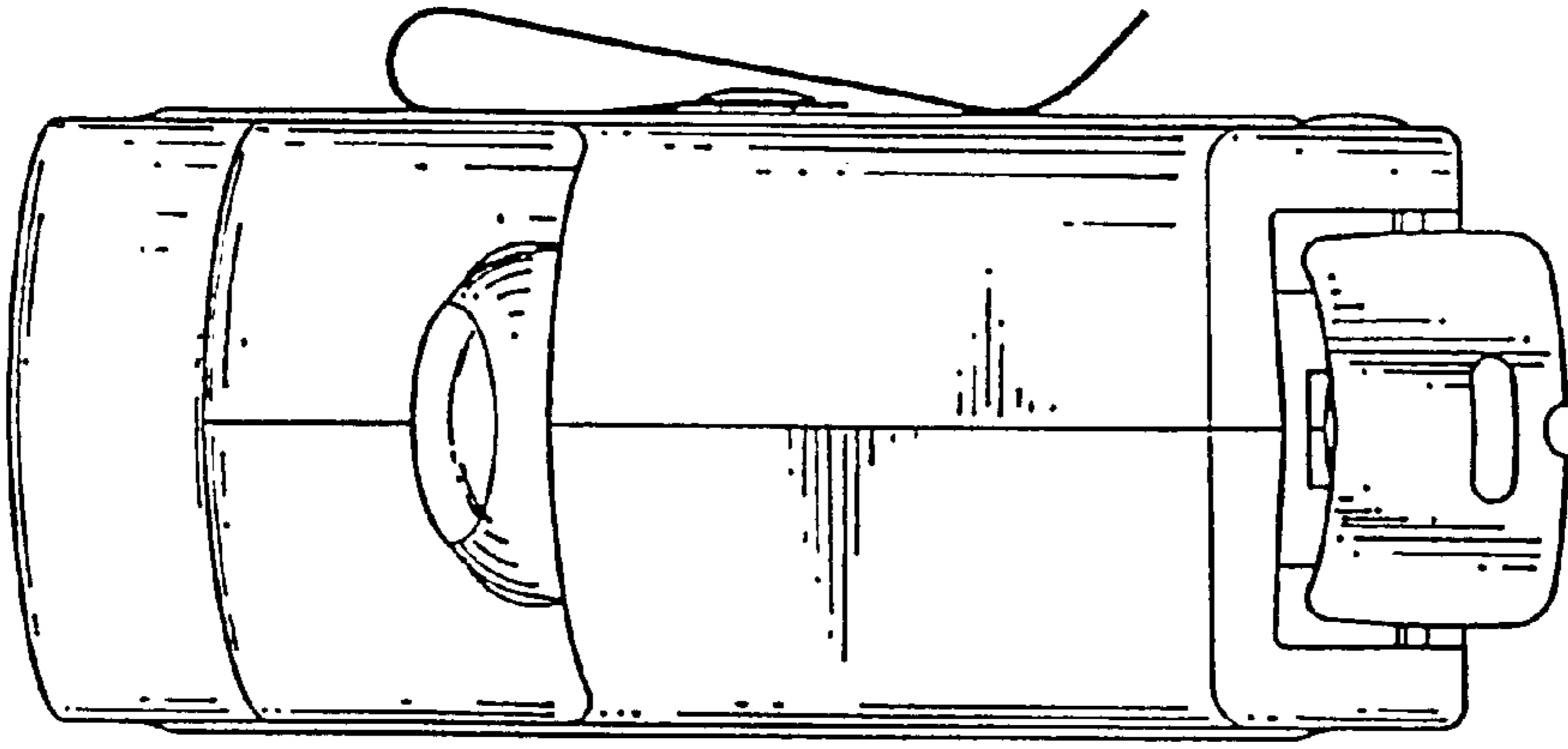


FIG.5

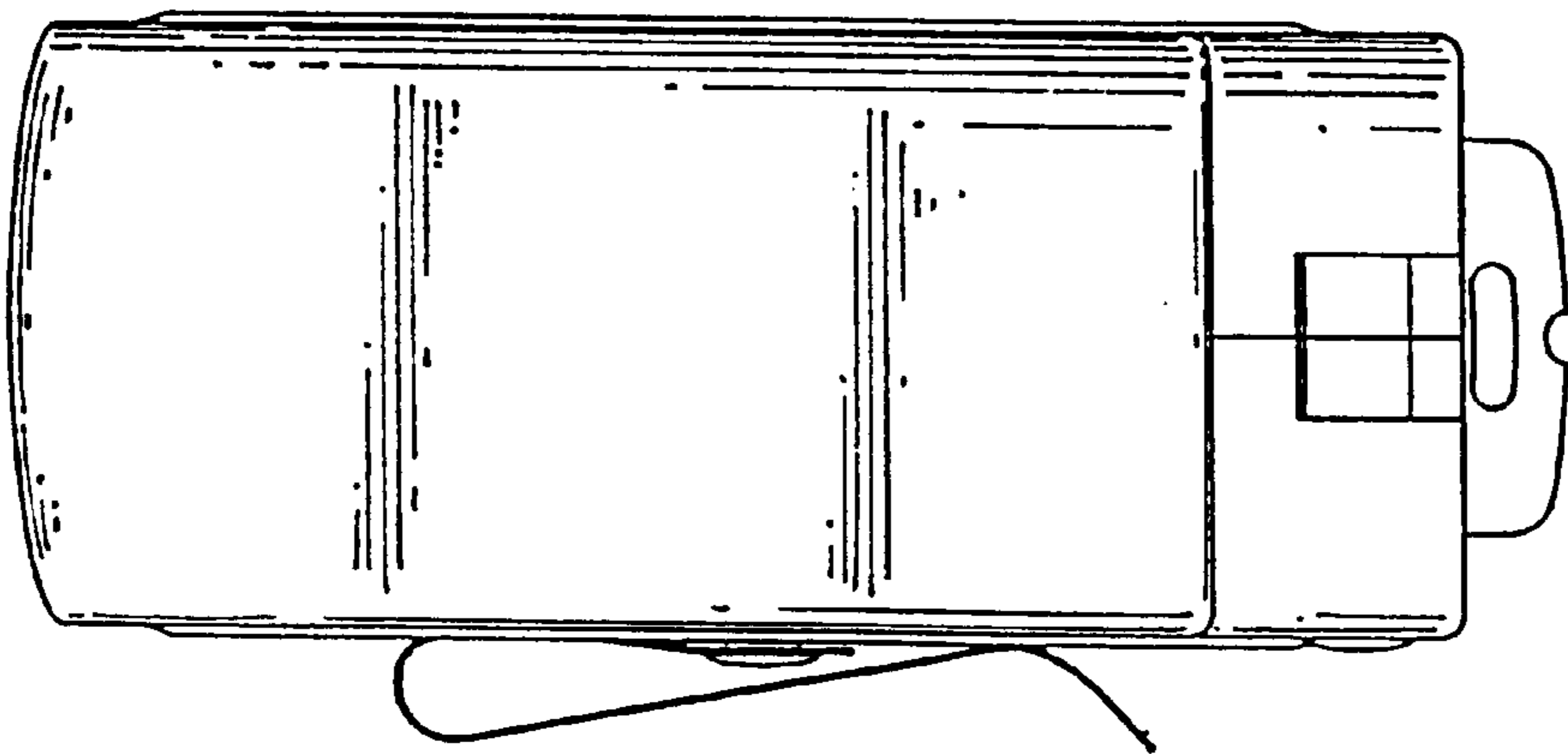


FIG.4

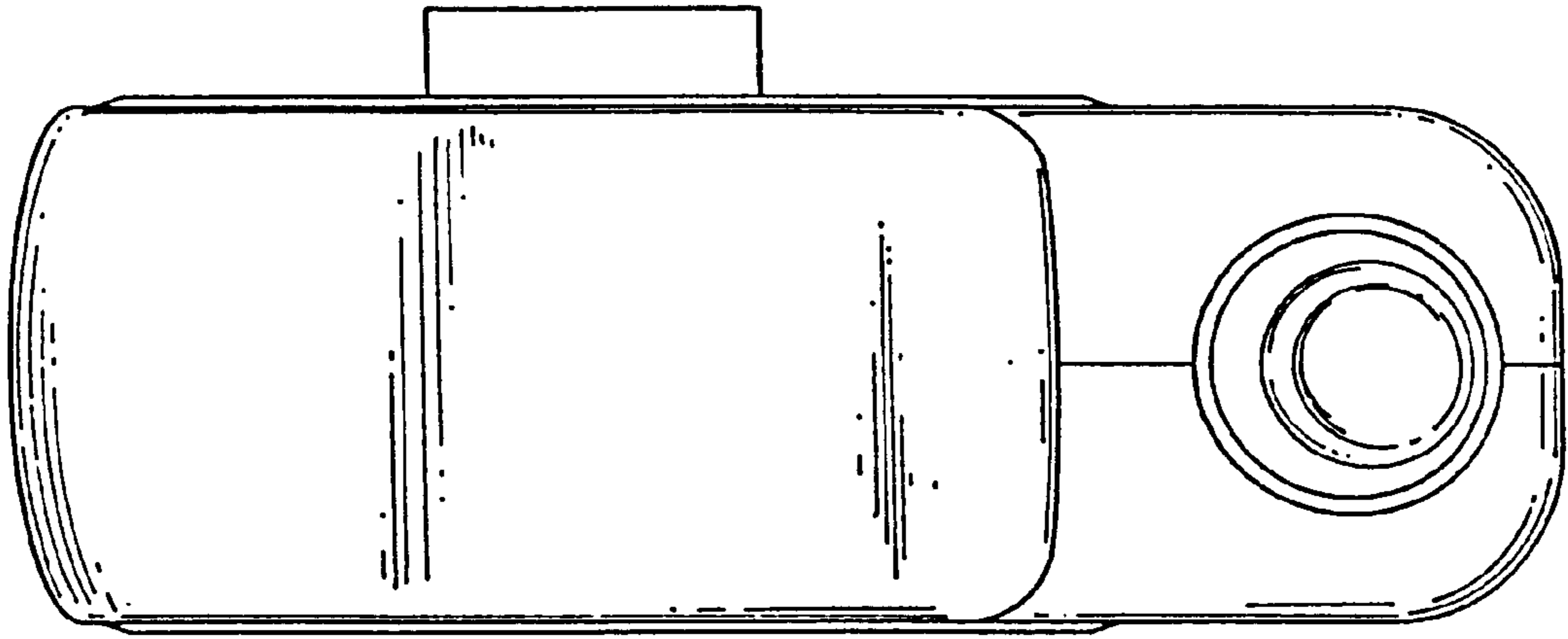


FIG. 6

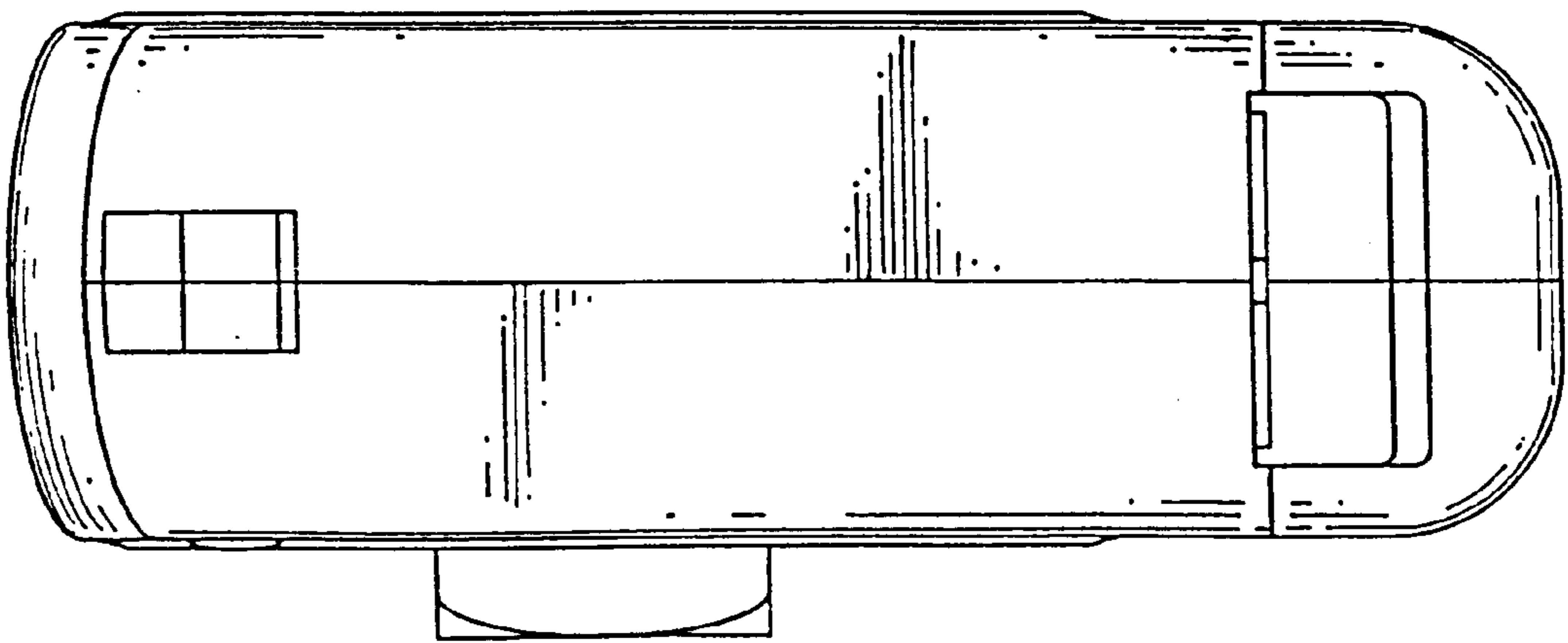


FIG. 7