



US00D439175S

(12) **United States Design Patent**  
**Kerr**

(10) **Patent No.:** **US D439,175 S**

(45) **Date of Patent:** **\*\* Mar. 20, 2001**

(54) **MEASURING SPOONS**

(75) Inventor: **Helen Kerr**, Toronto (CA)

(73) Assignee: **Browne & Co. Ltd.** (CA)

(\*\*) Term: **14 Years**

(21) Appl. No.: **29/124,575**

(22) Filed: **Jun. 7, 2000**

(51) **LOC (7) Cl.** ..... **10-04**

(52) **U.S. Cl.** ..... **D10/46.3**

(58) **Field of Search** ..... D10/46.2, 46.3;  
D7/691, 692; 73/426-429; 294/55; 30/324-328

(56) **References Cited**

**U.S. PATENT DOCUMENTS**

3,400,591 \* 9/1968 Larson ..... 73/426

**OTHER PUBLICATIONS**

Chef's Catalog, measuring spoons, #3168, Jun. 1997.\*

Chef's Catalog, muffin measures spoon, #7197, Jun. 1997.\*

\* cited by examiner

*Primary Examiner*—Terry A. Wallace

(74) *Attorney, Agent, or Firm*—Aird & Berlis; Craig Wilson

(57) **CLAIM**

I claim the ornamental design for measuring spoons, as shown and described.

**DESCRIPTION**

FIG. 1 is a perspective view in a nested position.

FIG. 2 is a top view in a nested position.

FIG. 3 is a cross-sectional view in a nested position along the centerline 3—3 of FIG. 1.

FIG. 4 is a side elevation view in a nested position from one side, the view from the opposite side being identical.

FIG. 5 is a bottom view in a nested position.

FIG. 6 is a front end view in a nested position.

FIG. 7 is a rear end view in a nested position; and,

FIG. 8 is a perspective view in an open position.

**1 Claim, 3 Drawing Sheets**

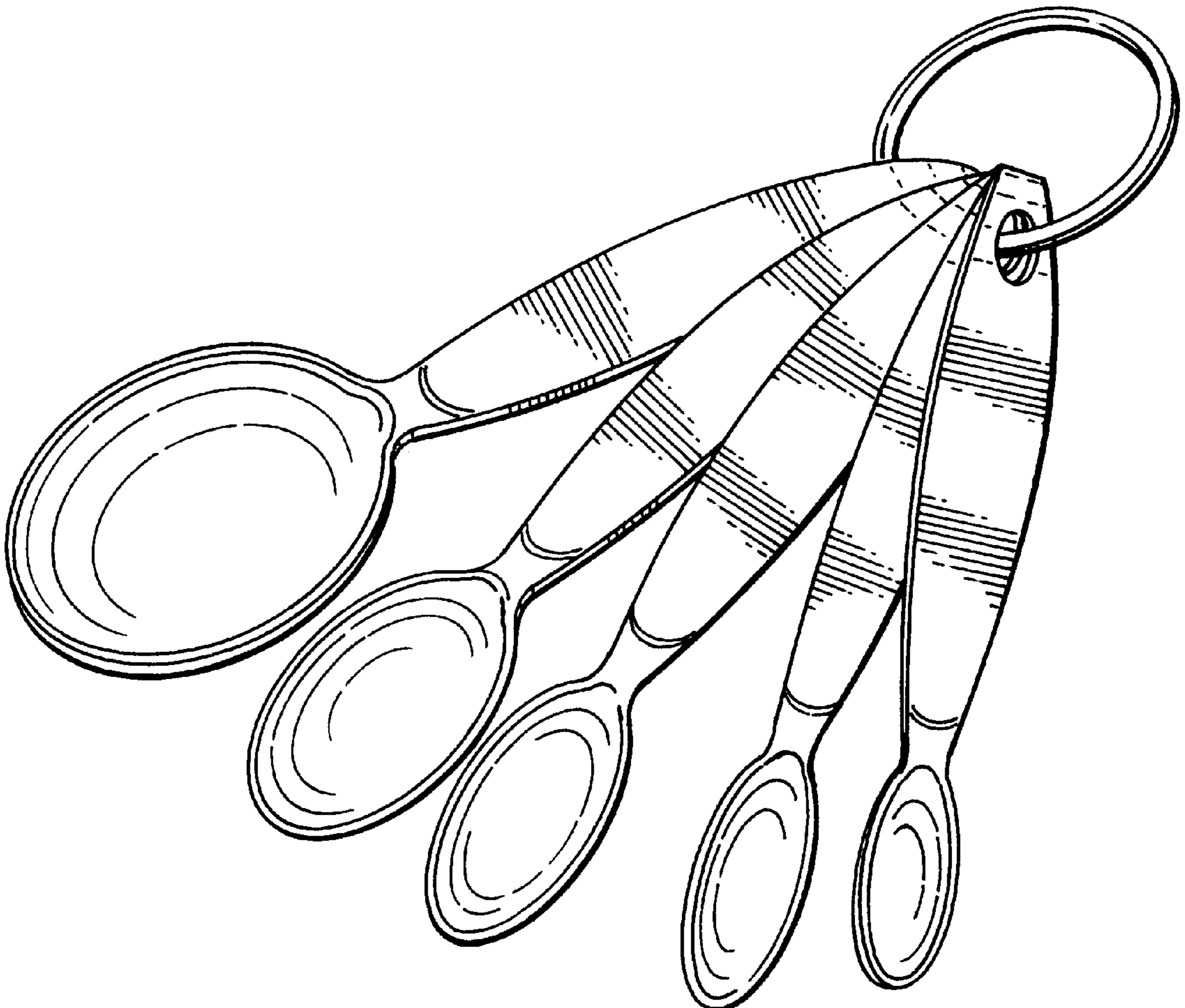


FIG. 1.

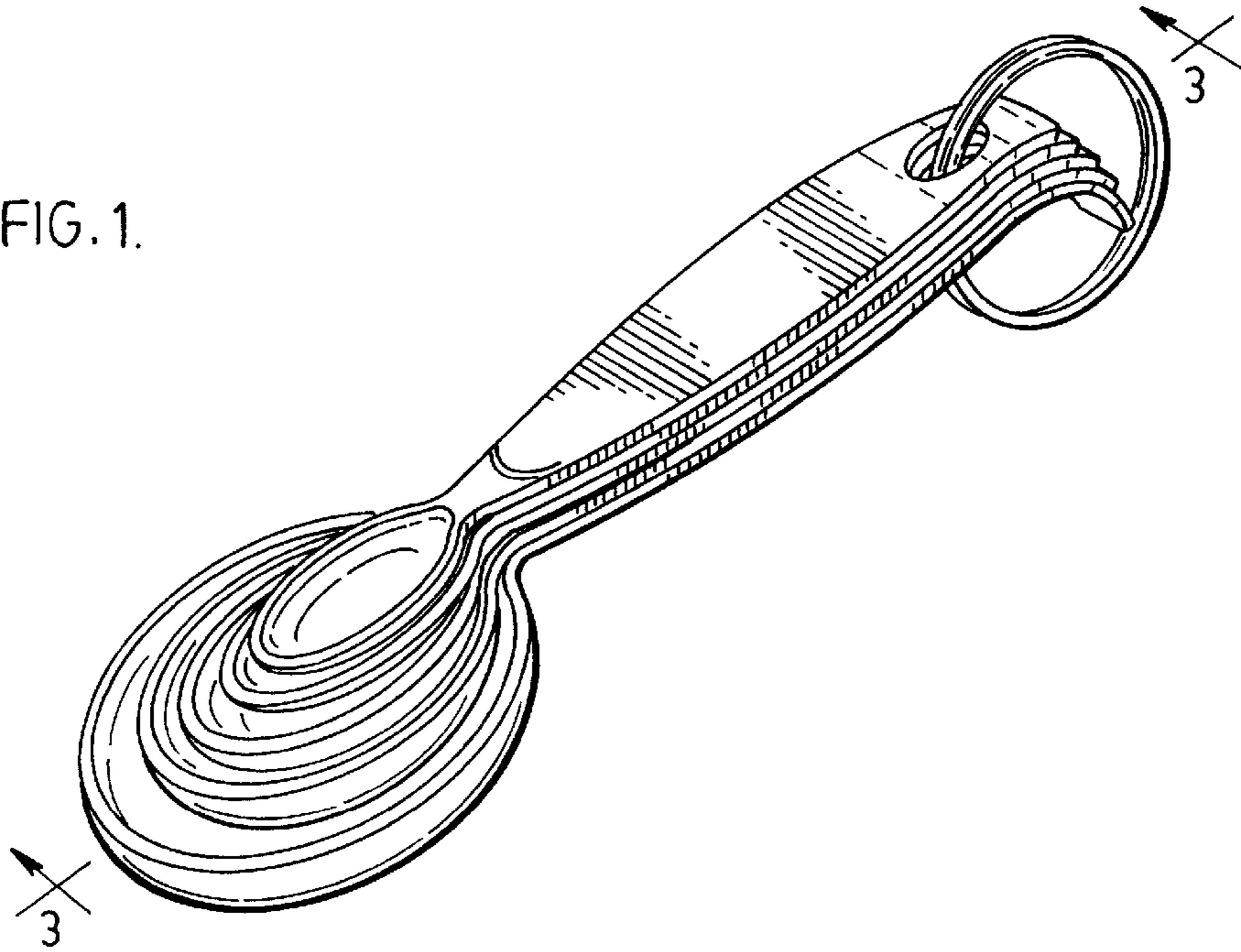


FIG. 2.

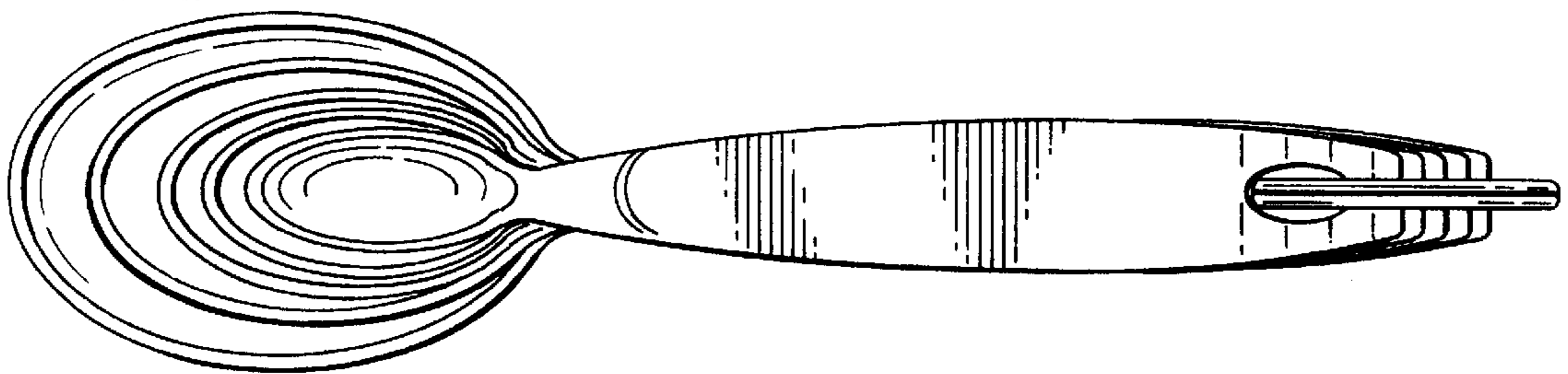
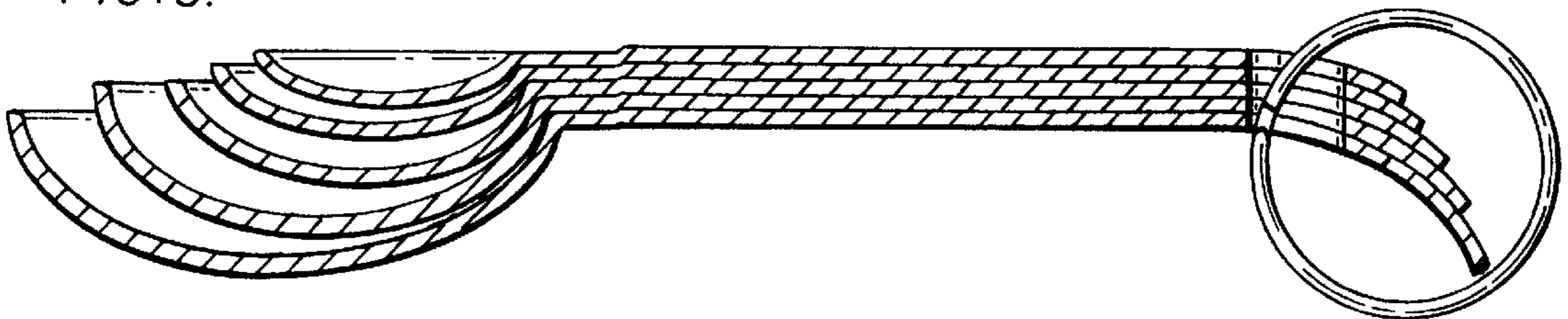


FIG. 3.



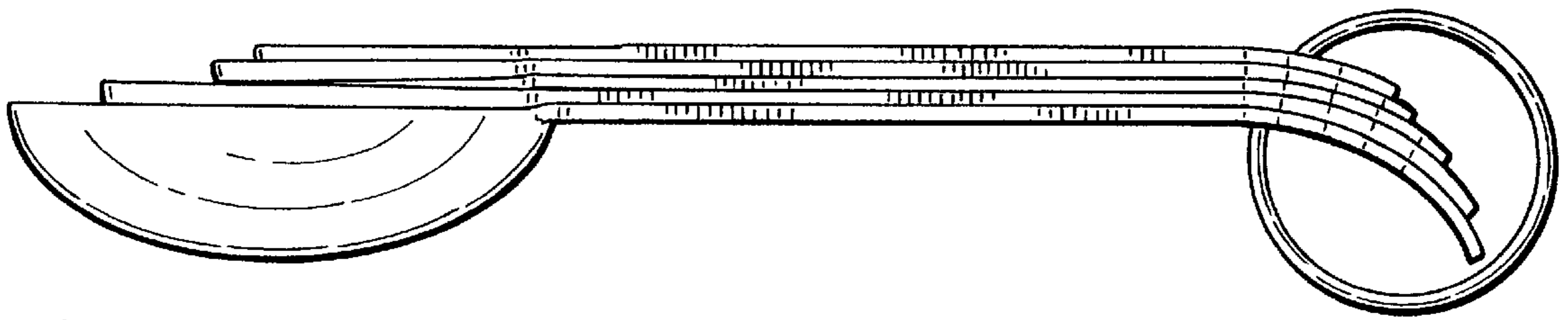


FIG. 4.

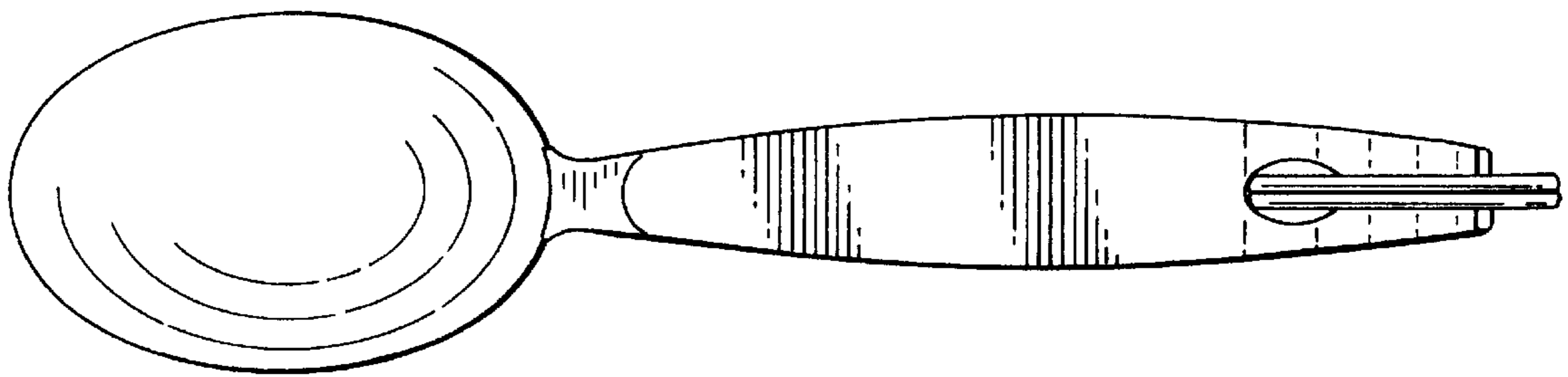


FIG. 5.

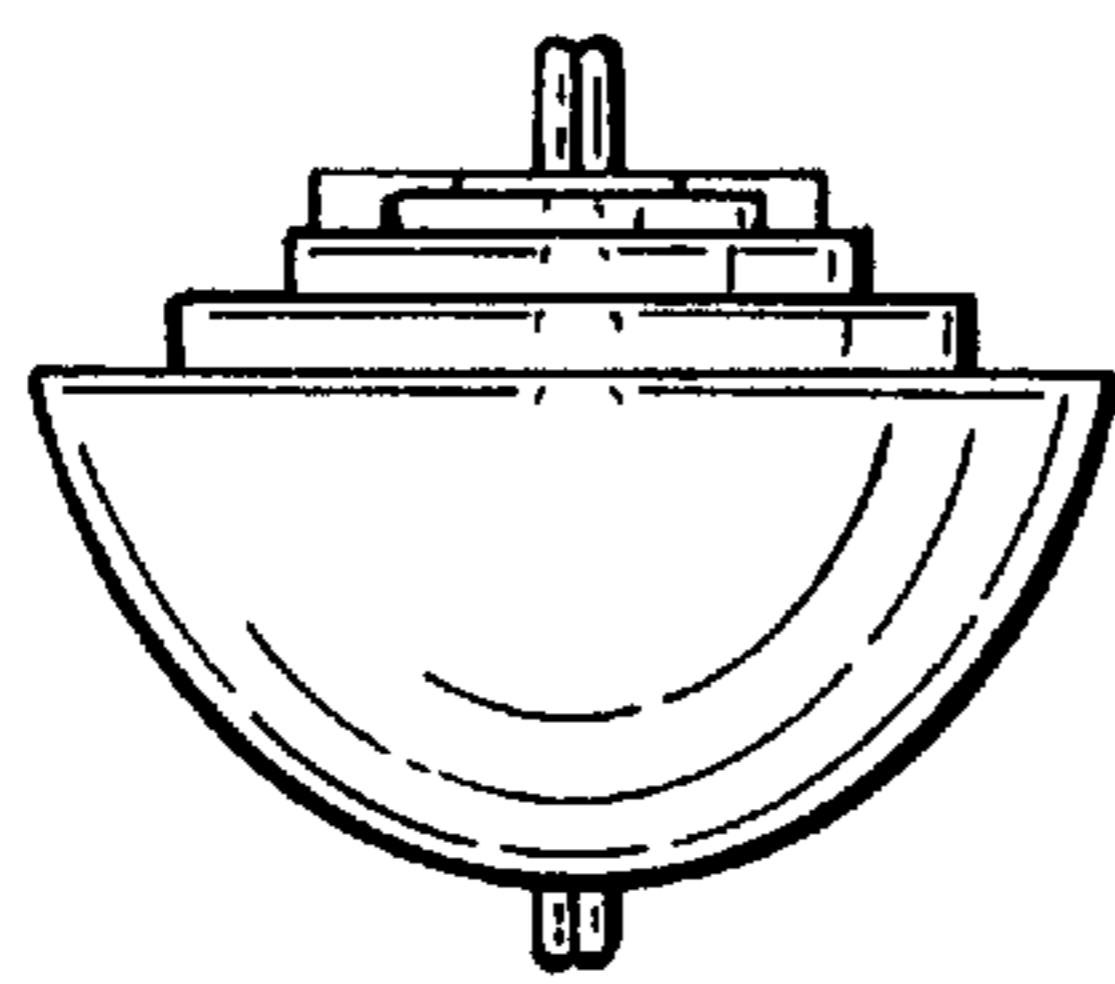


FIG. 6.

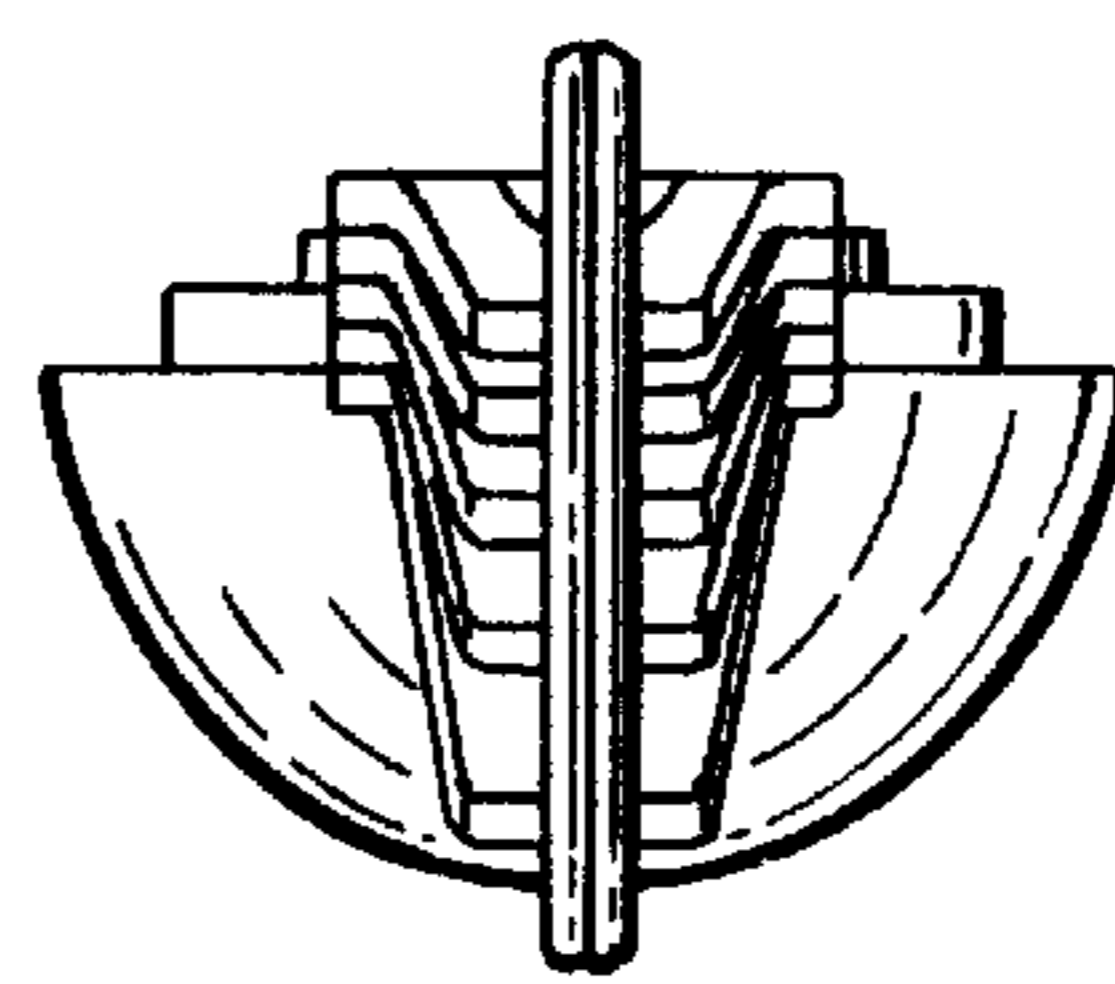


FIG. 7.

FIG. 8.

