



US00D439172S

(12) **United States Design Patent**  
**Brzezinski**

(10) **Patent No.:** **US D439,172 S**

(45) **Date of Patent:** **\*\* Mar. 20, 2001**

(54) **WATCH CASING AND BEZEL**

(75) Inventor: **Janet G. Brzezinski**, Southbury, CT  
(US)

(73) Assignee: **Timex Corporation**, Middlebury, CT  
(US)

(\*\*) Term: **14 Years**

(21) Appl. No.: **29/124,347**

(22) Filed: **Jun. 2, 2000**

(51) **LOC (7) Cl.** ..... **10-02**

(52) **U.S. Cl.** ..... **D10/30; D10/39**

(58) **Field of Search** ..... D10/1-40, 122-132;  
368/280-282, 276-277, 28-30, 285, 239-242,  
82-84, 41-44

(56) **References Cited**

**U.S. PATENT DOCUMENTS**

- D. 277,649 \* 2/1985 Glauser ..... D10/32
- D. 278,130 \* 3/1985 Houlihan et al. .... D10/38
- D. 286,512 \* 11/1986 Ichikawa ..... D10/38
- D. 384,294 9/1997 Woo et al. .
- D. 420,293 \* 2/2000 Parmigiani ..... D10/30

**OTHER PUBLICATIONS**

Timex Corporation—2000 catalog—p 10 Style No. E17021,  
and p 15 Style No. T36287.

Timex Corporation—1999 catalog—p 3 Style No. E03268.

Timex Corporation—1998 catalog—p 11 Style Nos. 15603  
& 15671, p 16 Style Nos. 03286 & 03229, and p 17 Style  
No. 03268.

Timex Corporation—1997 catalog—p 8 Style No. 47811, p  
16 Style No. 19401, and p 17 Style Nos. 30221, 30211 and  
30217.

\* cited by examiner

*Primary Examiner*—Nelson C. Holtje

(74) *Attorney, Agent, or Firm*—Carmody & Torrance LLP

(57) **CLAIM**

The ornamental design for a watch casing and bezel, as  
shown and described.

**DESCRIPTION**

FIG. 1 is a perspective view of a watch casing and bezel  
showing my new design;

FIG. 2 is a left side elevational view thereof;

FIG. 3 is a top plan view thereof;

FIG. 4 is a right side elevational view thereof;

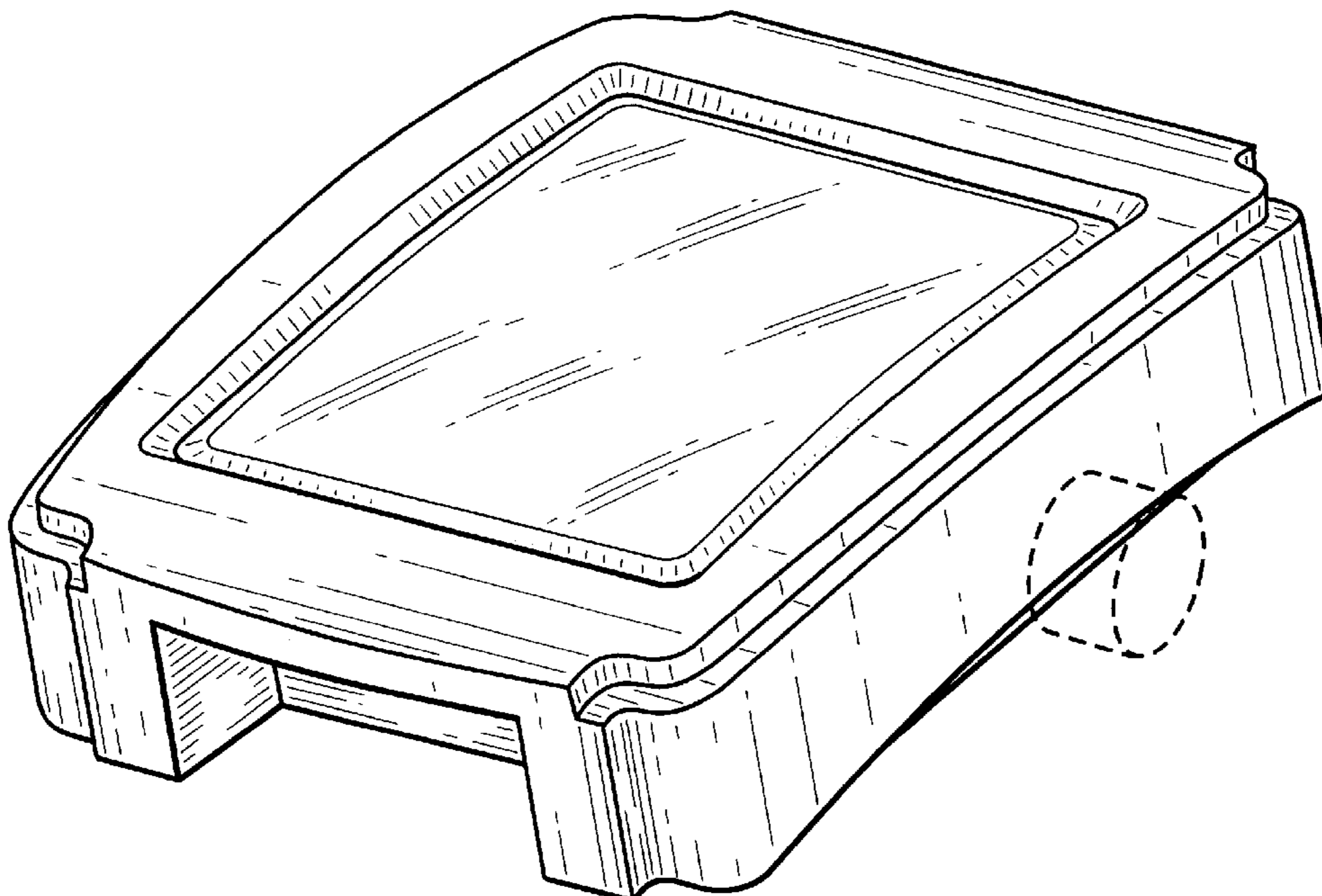
FIG. 5 is a first end elevational view thereof;

FIG. 6 is a second end elevational view thereof; and,

FIG. 7 is a bottom plan view.

The broken line showing of a crown is for illustrative  
purposes only and forms no part of the claimed design.

**1 Claim, 4 Drawing Sheets**



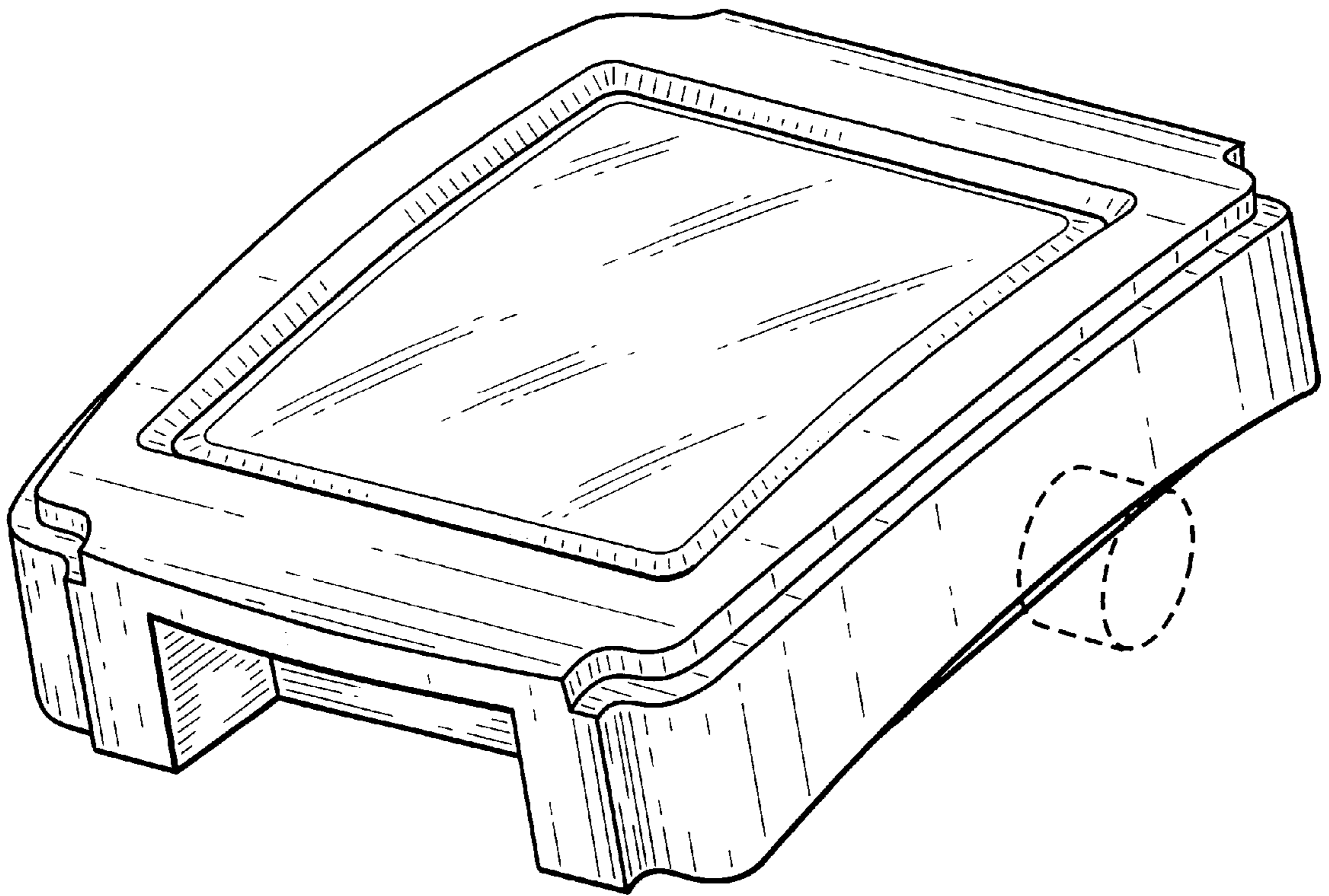


FIG. 1

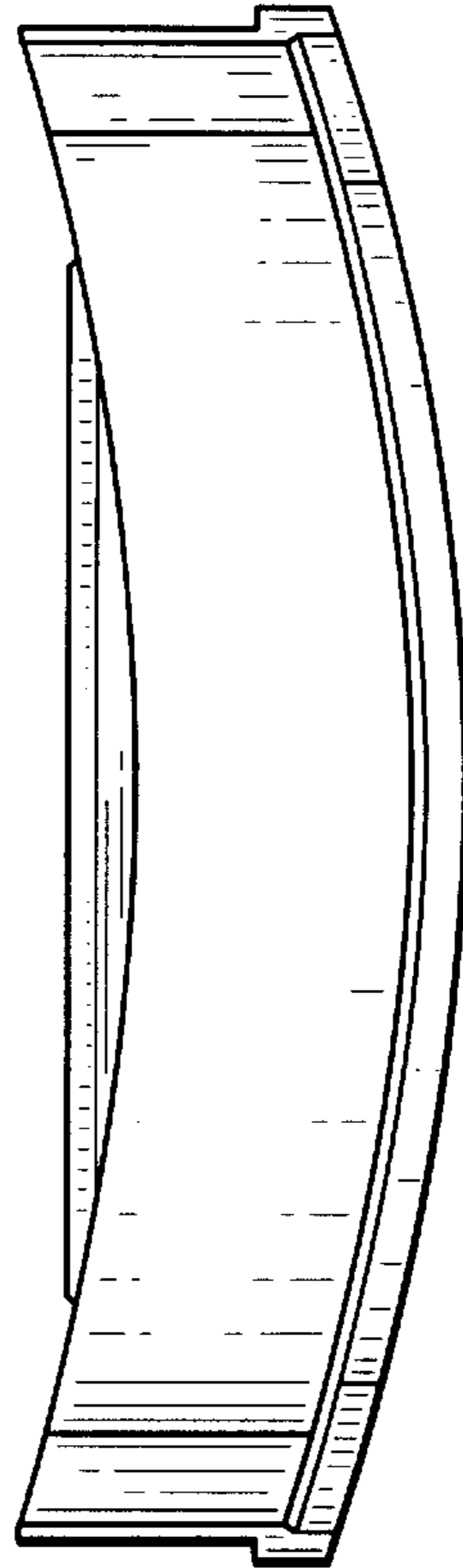


FIG. 2

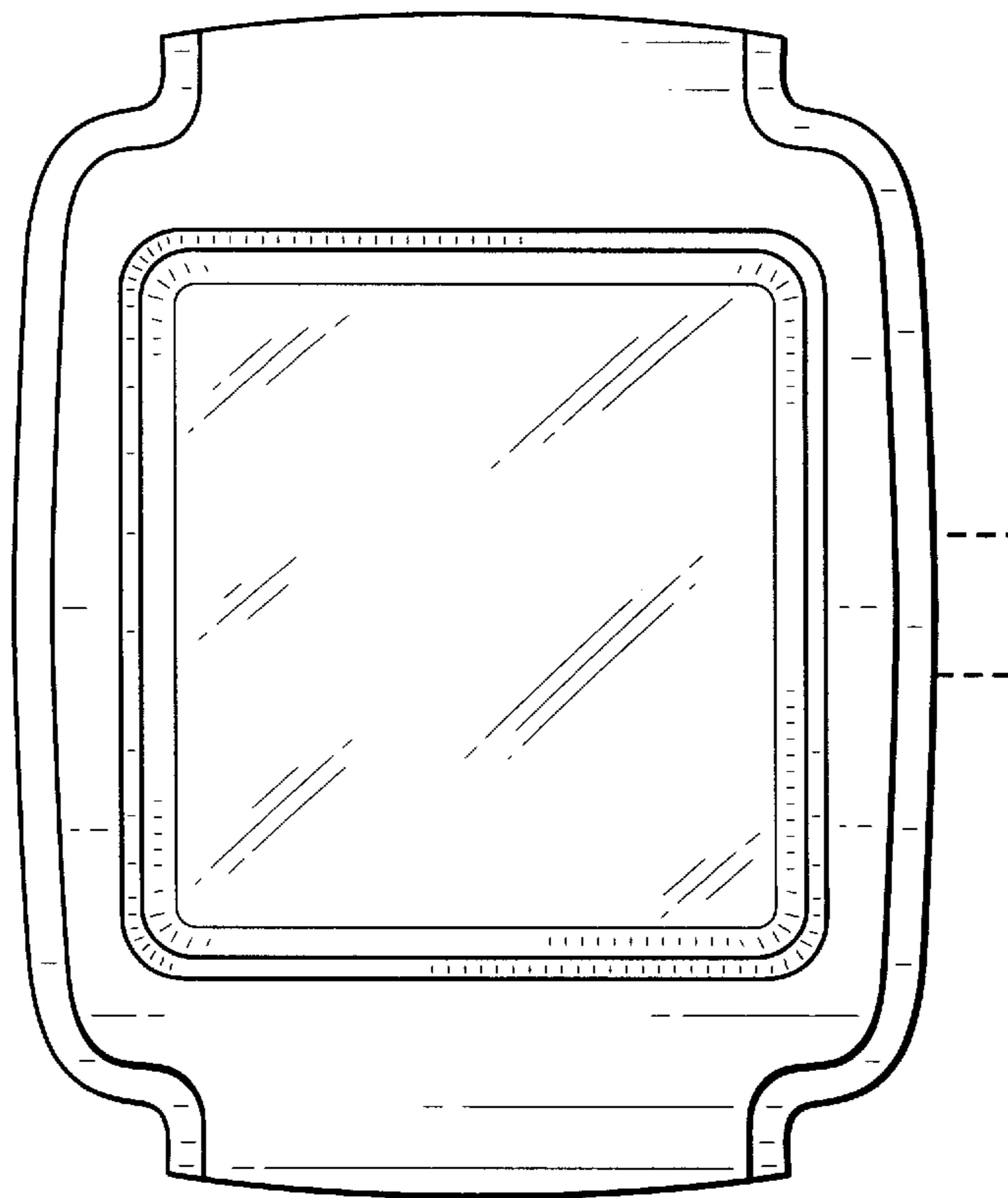


FIG. 3

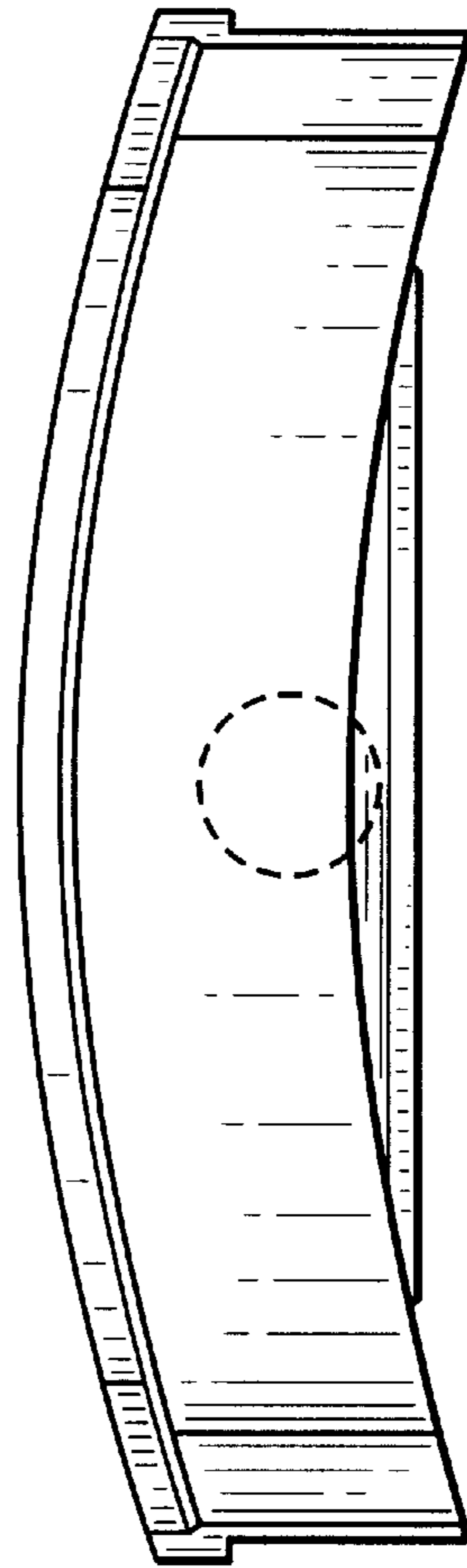


FIG. 4

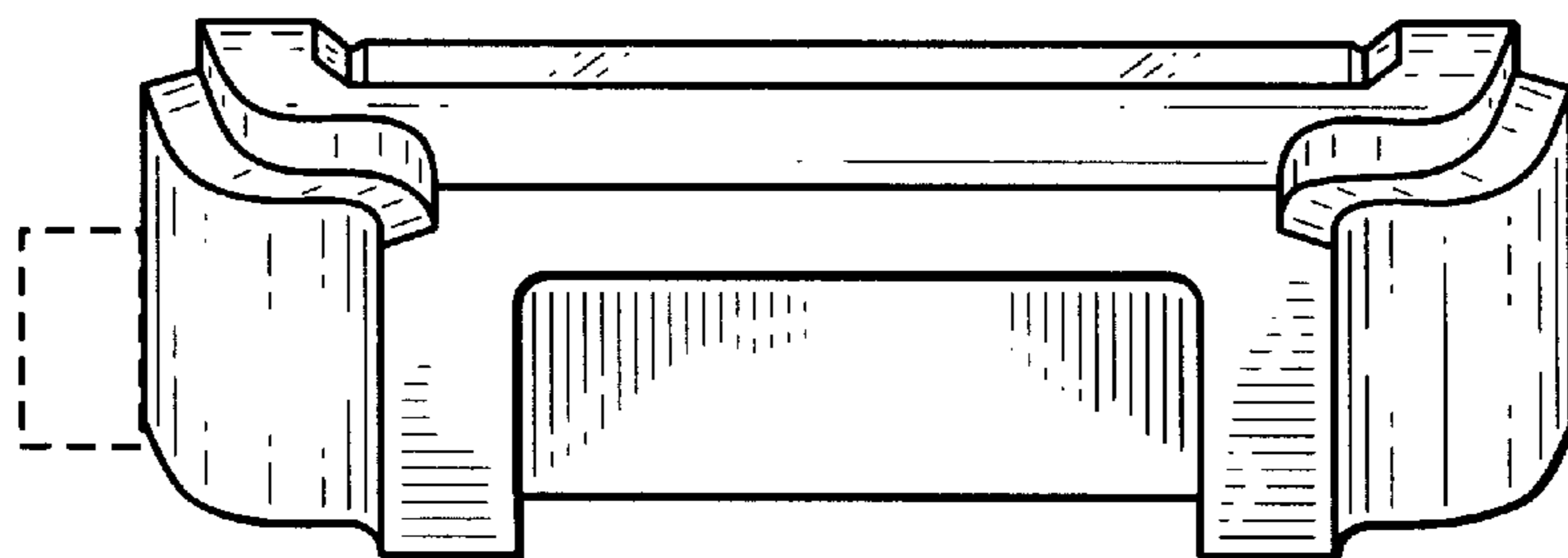


FIG. 5

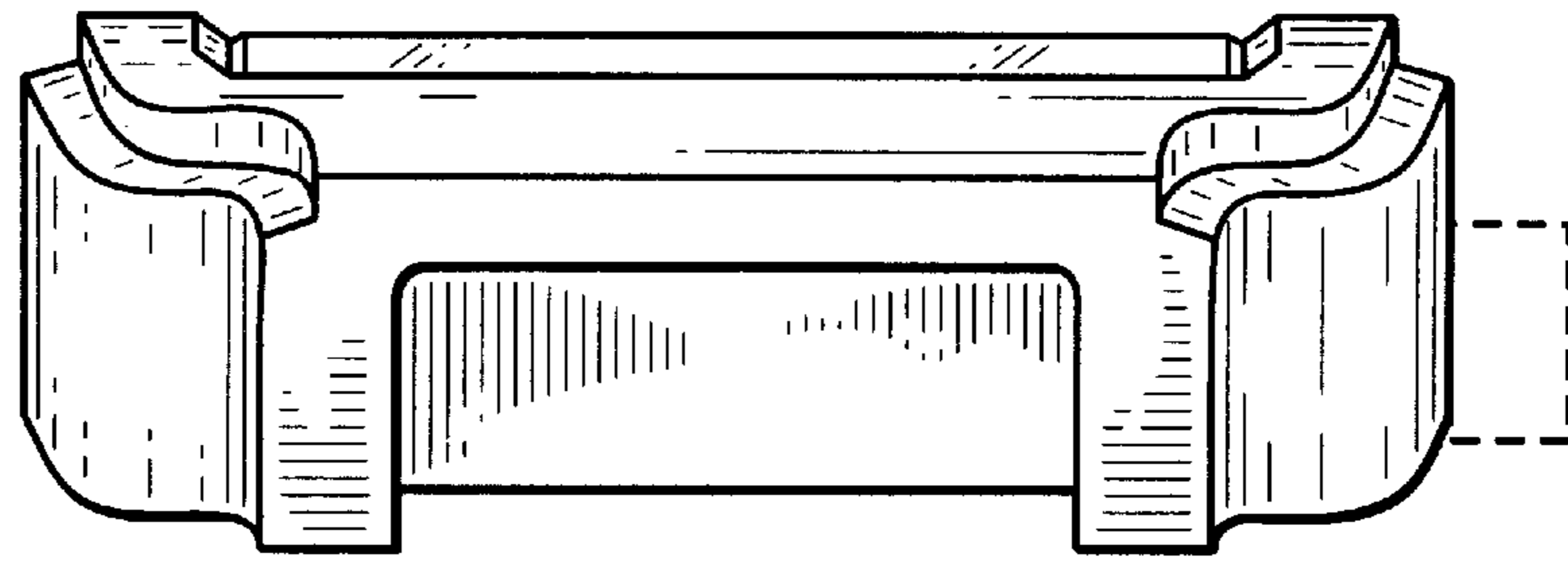


FIG. 6

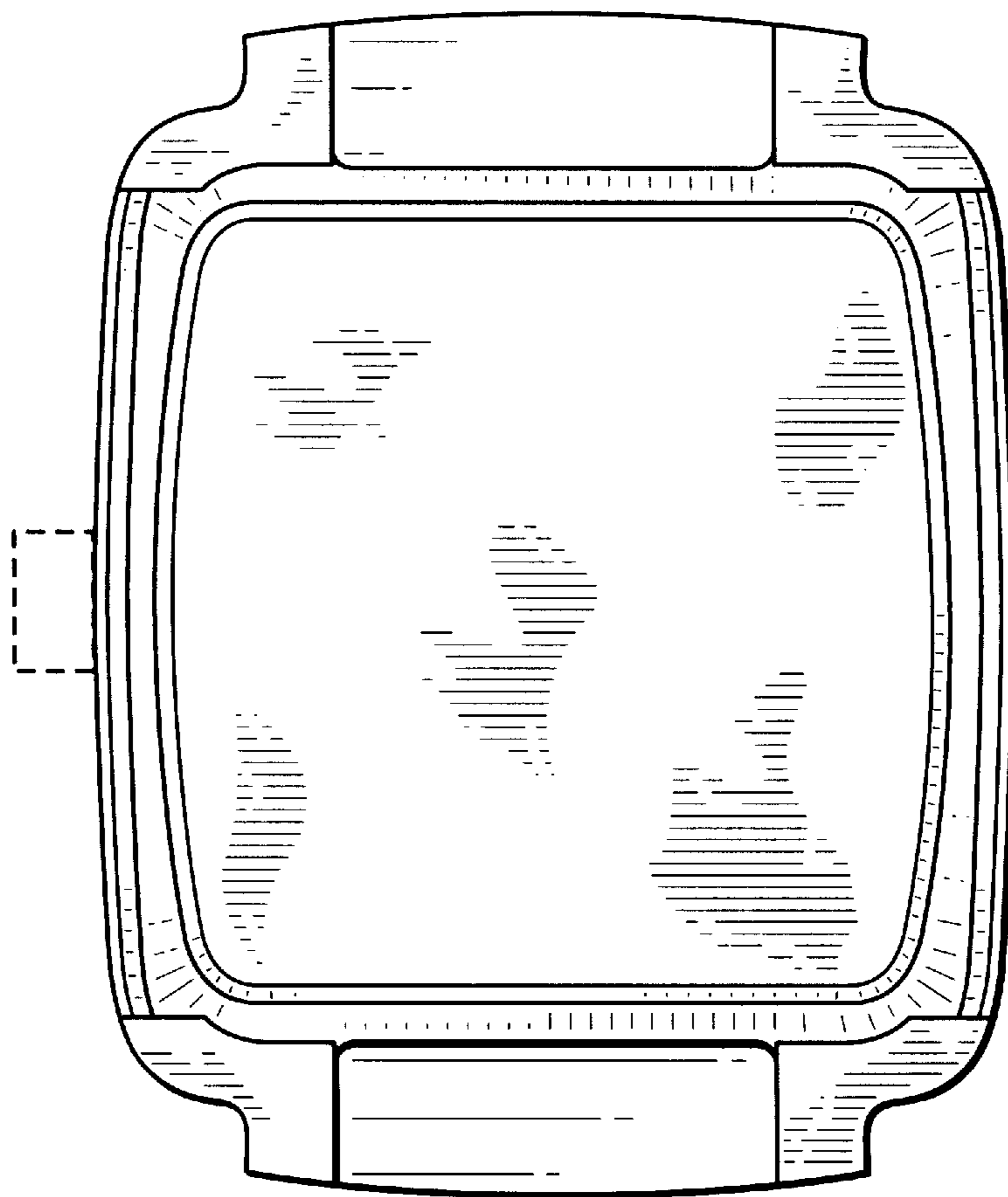


FIG. 7