



US00D439166S

(12) **United States Design Patent**
Denner et al.

(10) **Patent No.:** **US D439,166 S**
(45) **Date of Patent:** **** Mar. 20, 2001**

(54) **CONTAINER DOME**

(75) Inventors: **John E. Denner**, Dover, PA (US); **Paul Kelley**, Thurmont, MD (US); **Richard K. Ogg**, Littlestown, PA (US)

(73) Assignee: **Graham Packaging Company L.P.**, York, PA (US)

(**) Term: **14 Years**

(21) Appl. No.: **29/098,232**

(22) Filed: **Dec. 23, 1998**

(51) **LOC (7) Cl.** **09-01**

(52) **U.S. Cl.** **D9/538; D9/434; D9/556**

(58) **Field of Search** D9/538, 540, 539,
D9/541, 556, 559, 434, 553, 571, 551;
215/381, 382, 383, 384

(56) **References Cited**

U.S. PATENT DOCUMENTS

D. 218,020	7/1970	Musson .
D. 225,510	12/1972	Strand .
D. 292,378	10/1987	Brandt et al. .
D. 293,890	1/1988	Rogler .
D. 294,118	2/1988	Papa .
D. 294,463	3/1988	Lang .
D. 295,375	4/1988	Lang .
D. 295,499	5/1988	LeFevre .
D. 316,968	5/1991	York .
D. 322,562	12/1991	Narsutis .
D. 331,881	12/1992	Garver et al. .
D. 340,190	10/1993	Skidmore et al. .
D. 346,556	5/1994	Sirico et al. .
D. 348,007	6/1994	Feen .
D. 370,634	6/1996	Mero et al. .

D. 384,586	10/1997	Peek .
D. 386,418	11/1997	Edstrom et al. .
D. 403,243	* 12/1998	Takeuchi et al. D9/556
D. 411,453	* 6/1999	Piccioli et al. D9/538
4,818,575	4/1989	Hirata et al. .
4,946,053	8/1990	Conrad .
5,067,622	11/1991	Garver et al. .
5,141,121	* 8/1992	Brown et al. 215/384
5,222,615	6/1993	Ota et al. .
5,224,614	7/1993	Bono et al. .
5,238,129	8/1993	Ota .
5,303,834	* 4/1994	Krishnakumar et al. 215/381
5,472,105	* 12/1995	Krishnakumar et al. 215/384
5,735,421	* 4/1998	Deemer et al. 215/382
5,762,221	6/1998	Tobias et al. .

* cited by examiner

Primary Examiner—Lucy Lieberman

(74) *Attorney, Agent, or Firm*—Howson and Howson

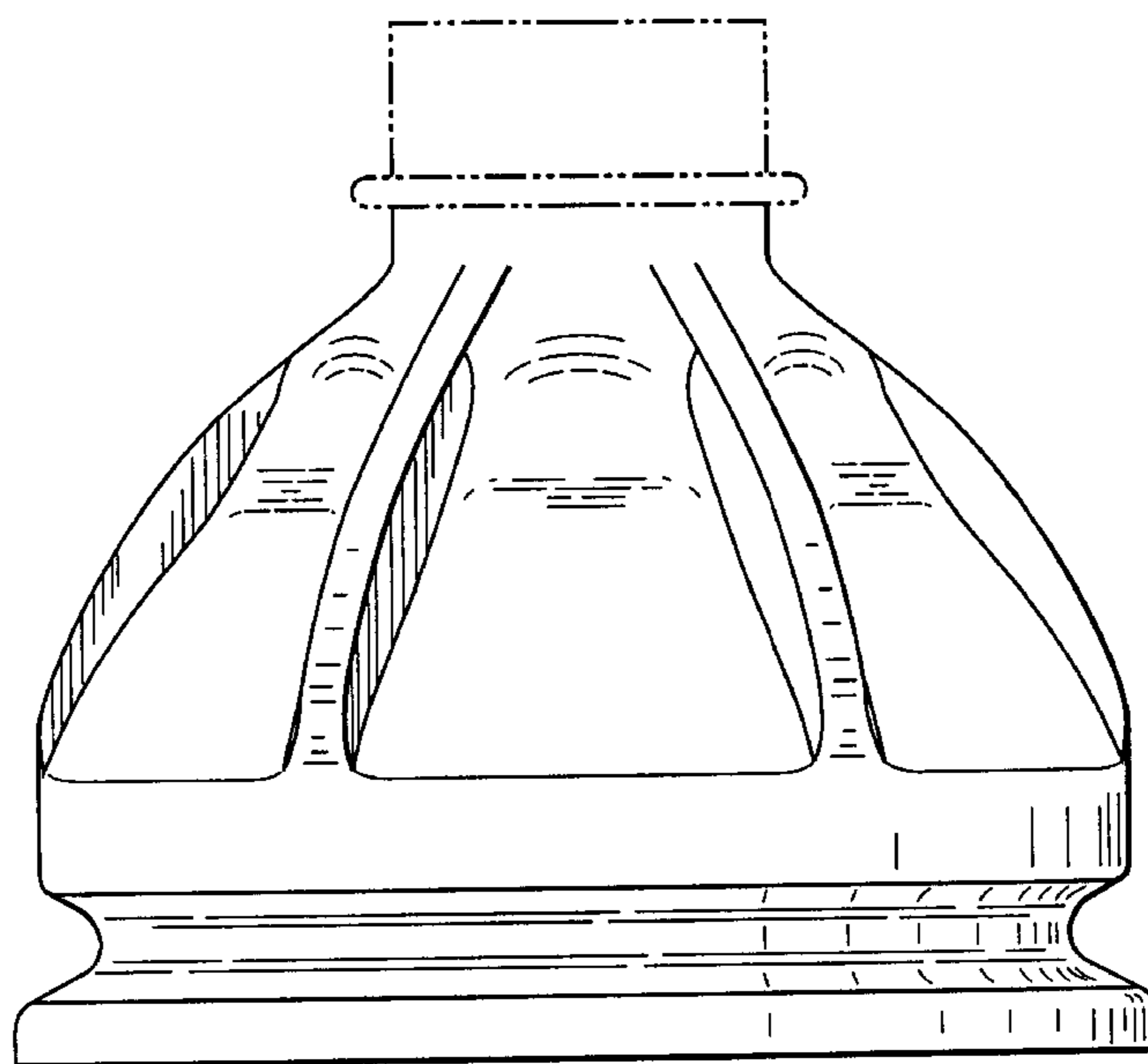
(57) **CLAIM**

The ornamental design for a container dome, as shown and described.

DESCRIPTION

FIG. 1 is an elevational view of a container dome embodying our new design;
 FIG. 2 is an elevational view of the container dome of FIG. 1 rotated clockwise 30° about its central vertical axis;
 FIG. 3 is a top plan view of the container dome of FIG. 1; and,
 FIG. 4 is a bottom plan view of the container dome of FIG. 1.
 The broken line showing in FIGS. 1–3 of the container finish is for illustrative purposes only and forms no part of the claimed design.

1 Claim, 2 Drawing Sheets



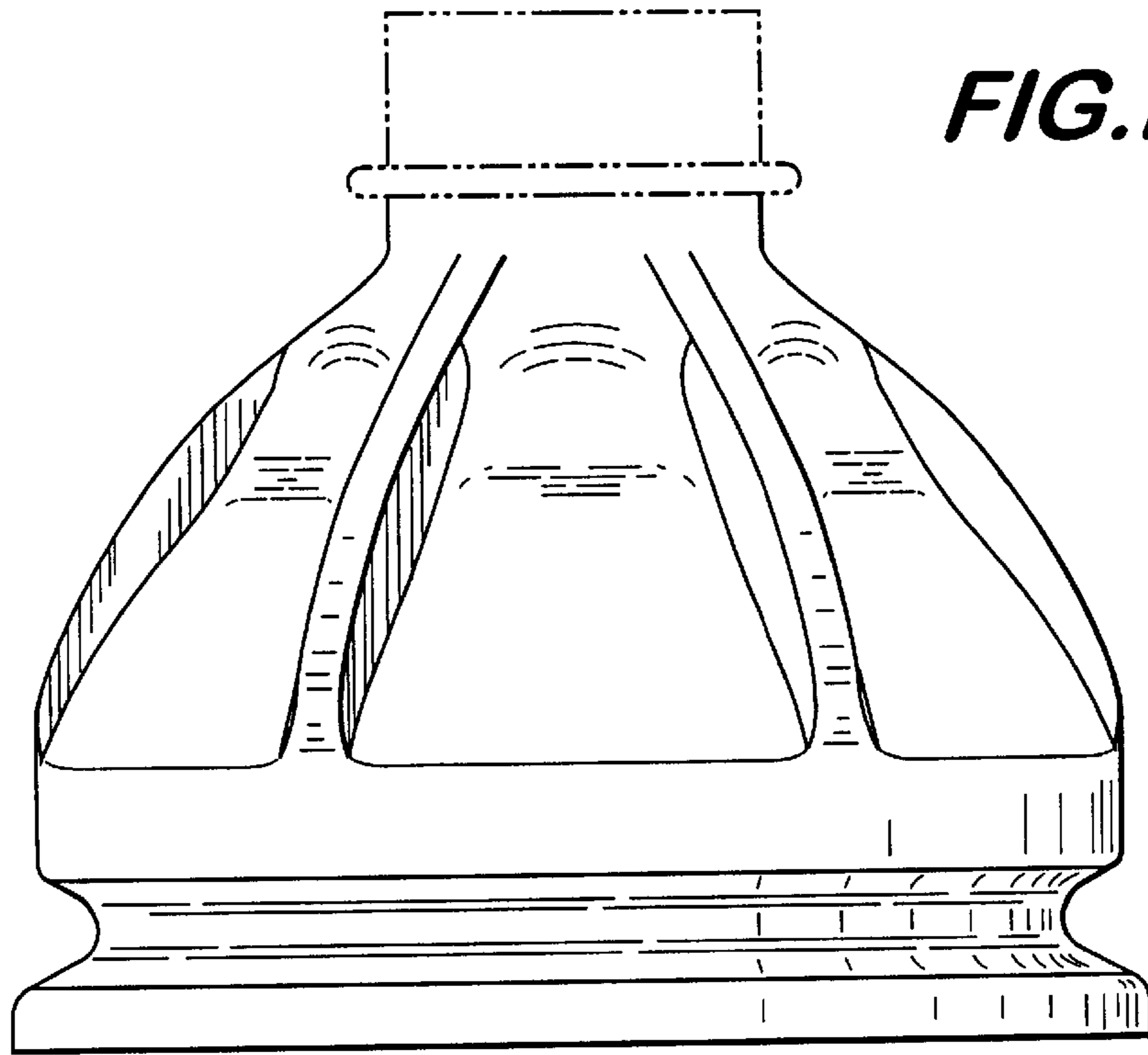


FIG. 1

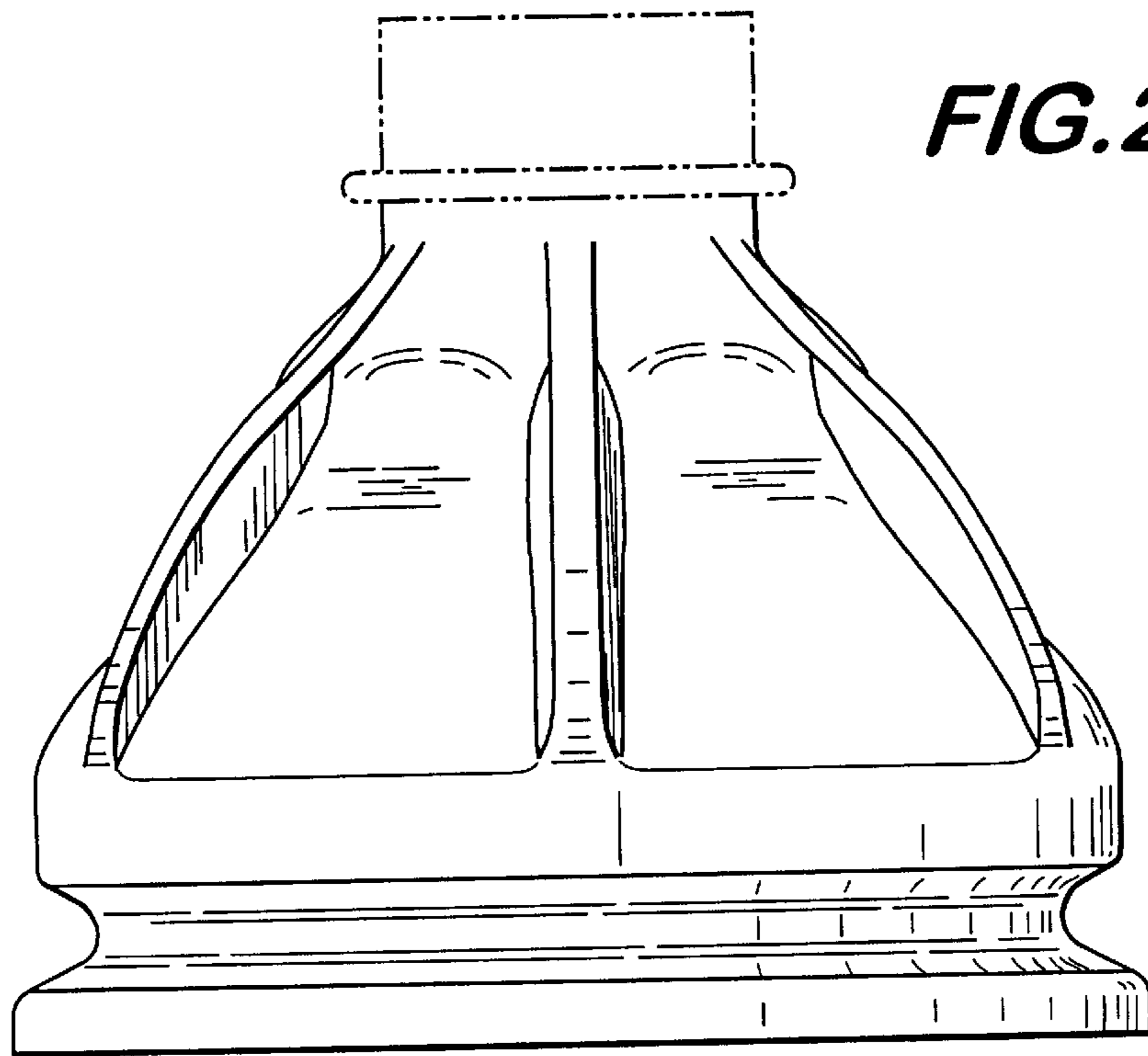


FIG. 2

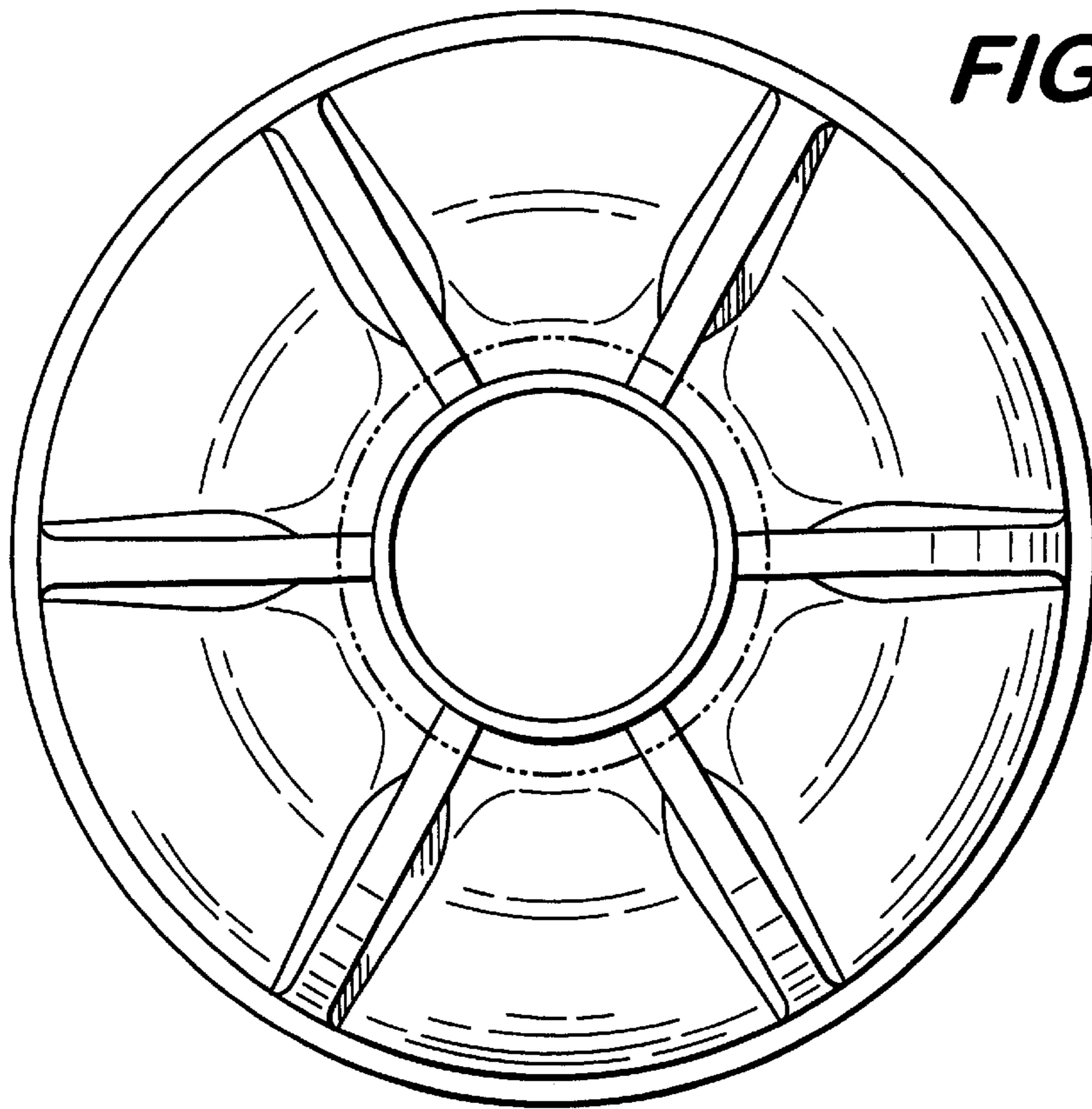


FIG. 3

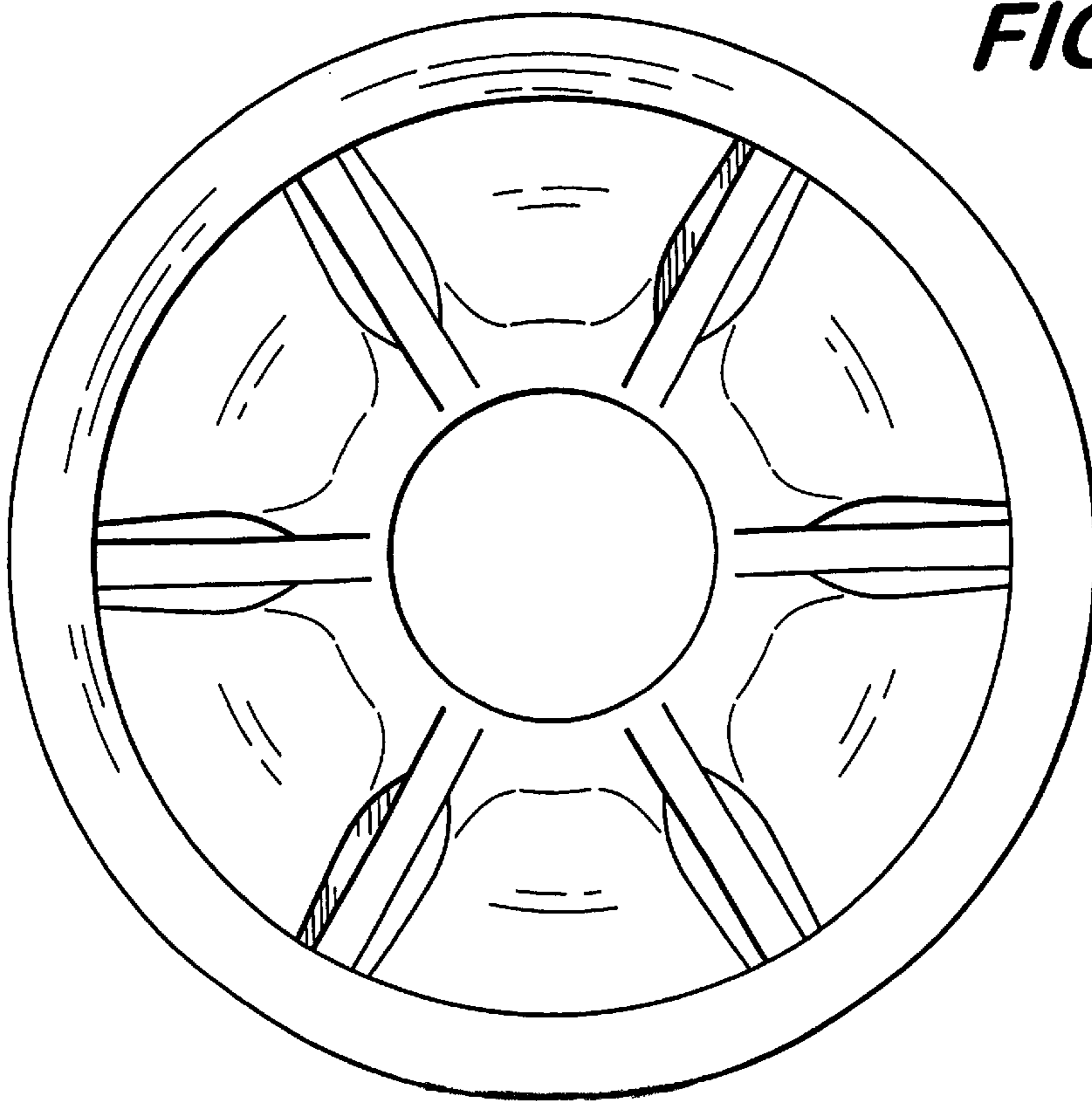


FIG. 4