



US00D439164S

(12) **United States Design Patent**
Keung et al.

(10) **Patent No.: US D439,164 S**

(45) **Date of Patent: ** *Mar. 20, 2001**

(54) **TRIGGER PUMP HAVING ERGONOMIC FEATURES**

(75) Inventors: **Wing K. Keung**, Perrysburg; **Kenneth S. Bloom**, Jerry City; **Ruixin Fan**, Perrysburg; **George R. Trepina**, Holland, all of OH (US); **William E. Chalupsky**, Woodbury, MN (US); **Timothy B. Kowal**, Maumee, OH (US)

(73) Assignee: **Owens-Illinois Closure Inc.**, Toledo, OH (US)

(*) Notice: This patent is subject to a terminal disclaimer.

(**) Term: **14 Years**

(21) Appl. No.: **29/109,068**

(22) Filed: **Aug. 9, 1999**

(51) **LOC (7) Cl.** **09-07**
(52) **U.S. Cl.** **D9/448**
(58) **Field of Search** D9/300, 447, 448; D23/17, 213, 223-229; 222/153.1-153.14, 383.1, 383.2, 383.3, 384, 385, 568; 239/333, 396, 397

(56) **References Cited**

U.S. PATENT DOCUMENTS

D. 277,978 * 3/1985 Bundschuh D23/17
D. 337,945 * 8/1993 Warner D9/448
D. 357,408 * 4/1995 Silvenis et al. D9/300
D. 358,198 5/1995 Wadsworth .

D. 377,602 * 1/1997 Wadsworth D9/448
D. 385,492 * 10/1997 Foster et al. D9/440
D. 419,876 * 2/2000 Keung D9/448
D. 424,939 * 5/2000 Fan et al. D9/448
4,538,745 9/1985 Dunning et al. .
5,337,921 * 8/1994 Wilson et al. 222/383.1
5,704,521 * 1/1998 Grogan et al. 222/383.1
5,706,984 * 1/1998 Tada et al. 222/383.1
5,769,275 * 6/1998 Boehmer et al. D9/300
6,003,738 * 12/1999 Foster et al. 222/383.1

FOREIGN PATENT DOCUMENTS

WO 99/11386 3/1999 (WO) .

* cited by examiner

Primary Examiner—Robert M. Spear

(57) **CLAIM**

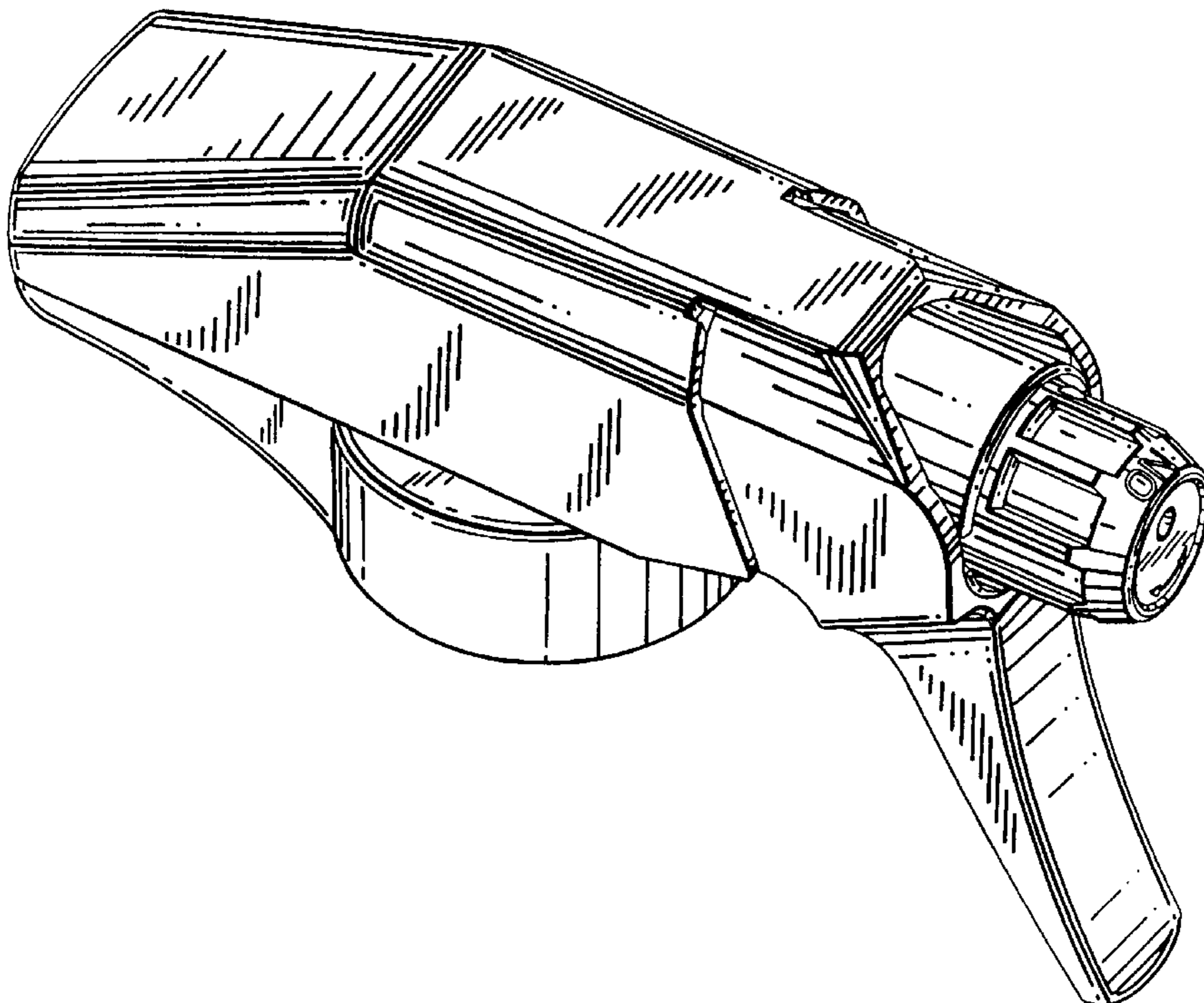
We claim the ornamental design for a trigger pump having ergonomic features, as shown and described.

DESCRIPTION

FIG. 1 is a perspective view of the design;
FIG. 2 is a left side elevation, (the right side elevation is a mirror image of the left side);
FIG. 3 is a top plan view thereof;
FIG. 4 is a rear elevation;
FIG. 5 is a front elevation; and,
FIG. 6 is a bottom plan view.

In the drawings, the portions of the design shown in broken lines are for illustrative purposes only and form no part of the claimed design.

1 Claim, 2 Drawing Sheets



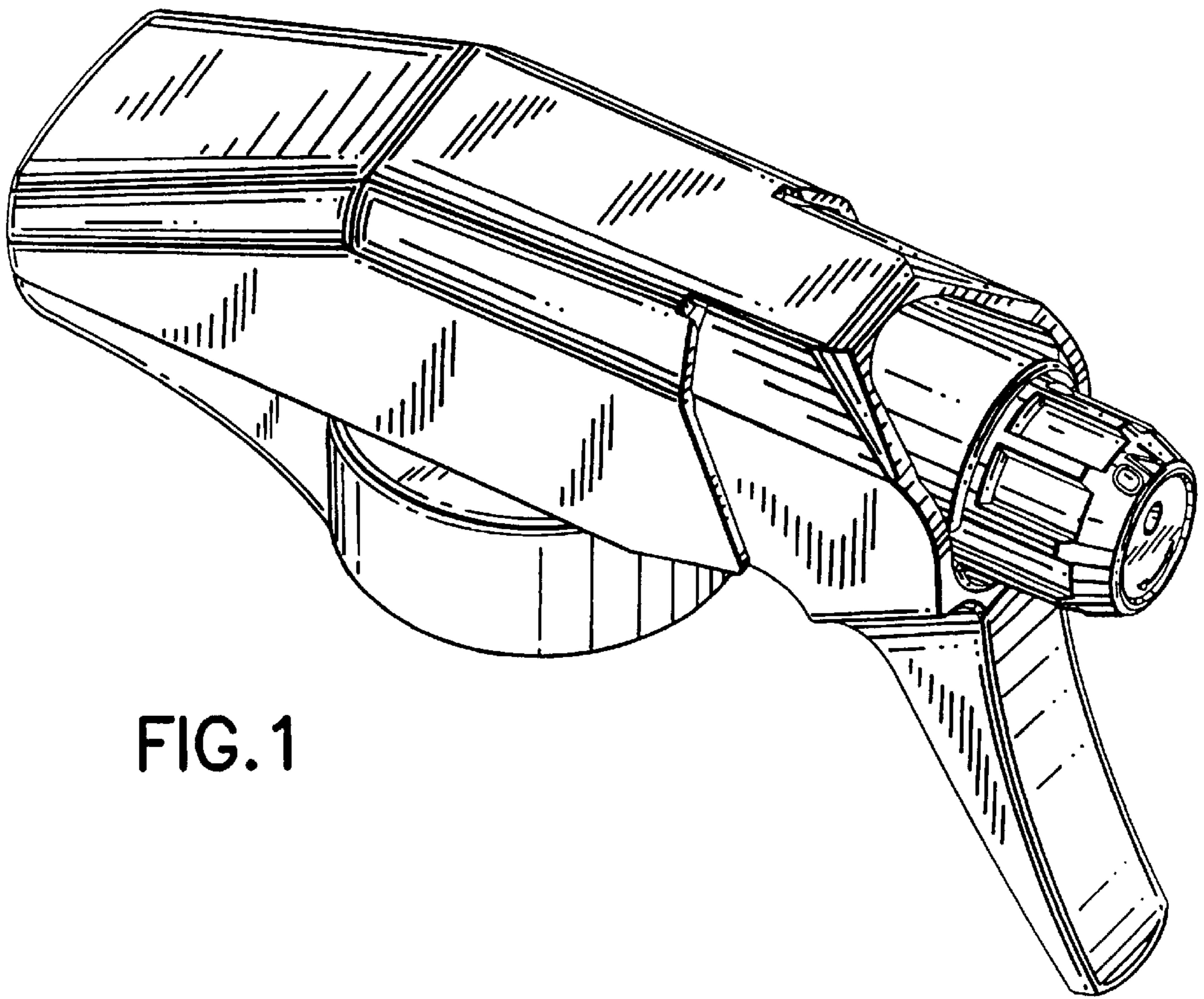


FIG. 1

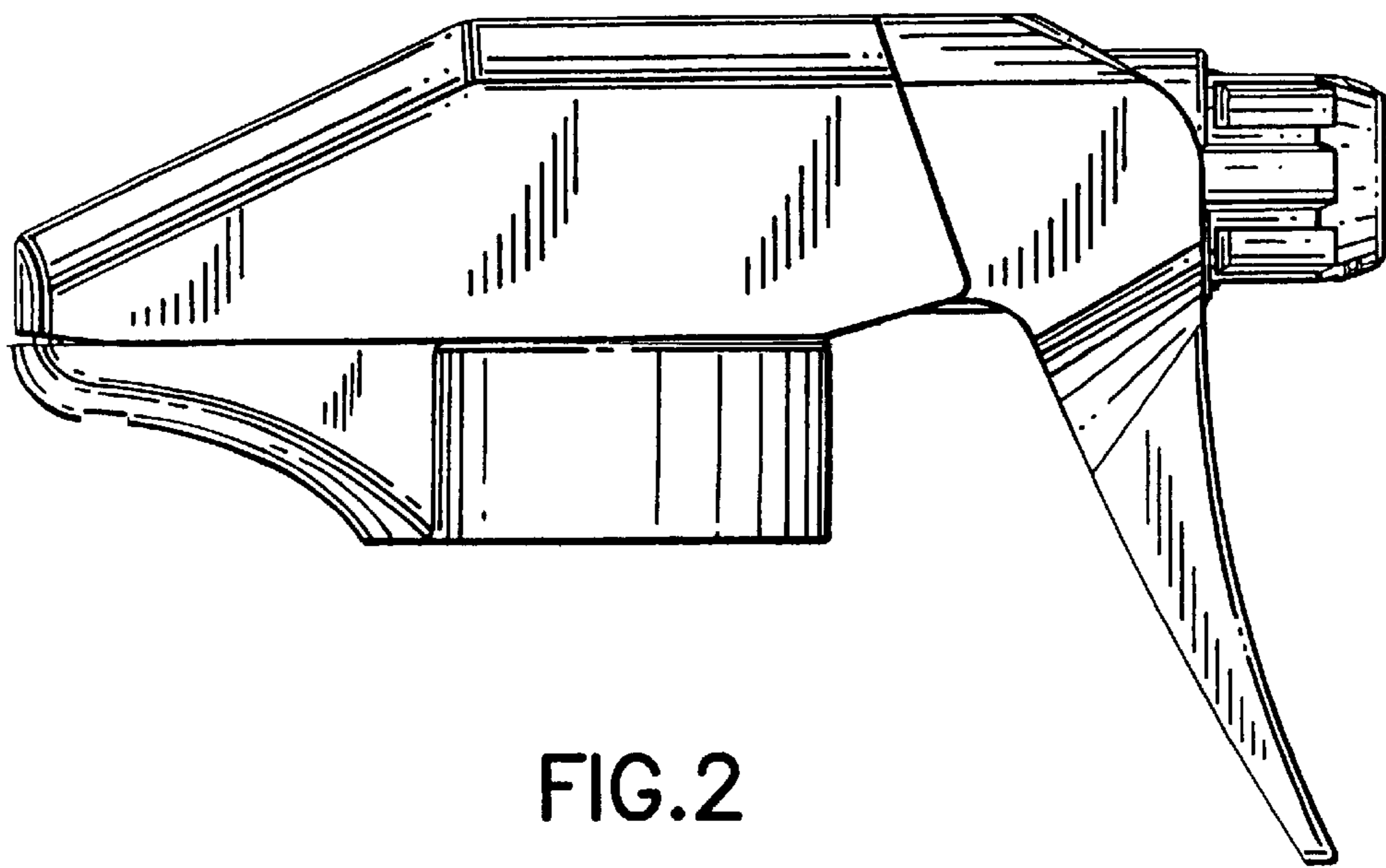


FIG. 2

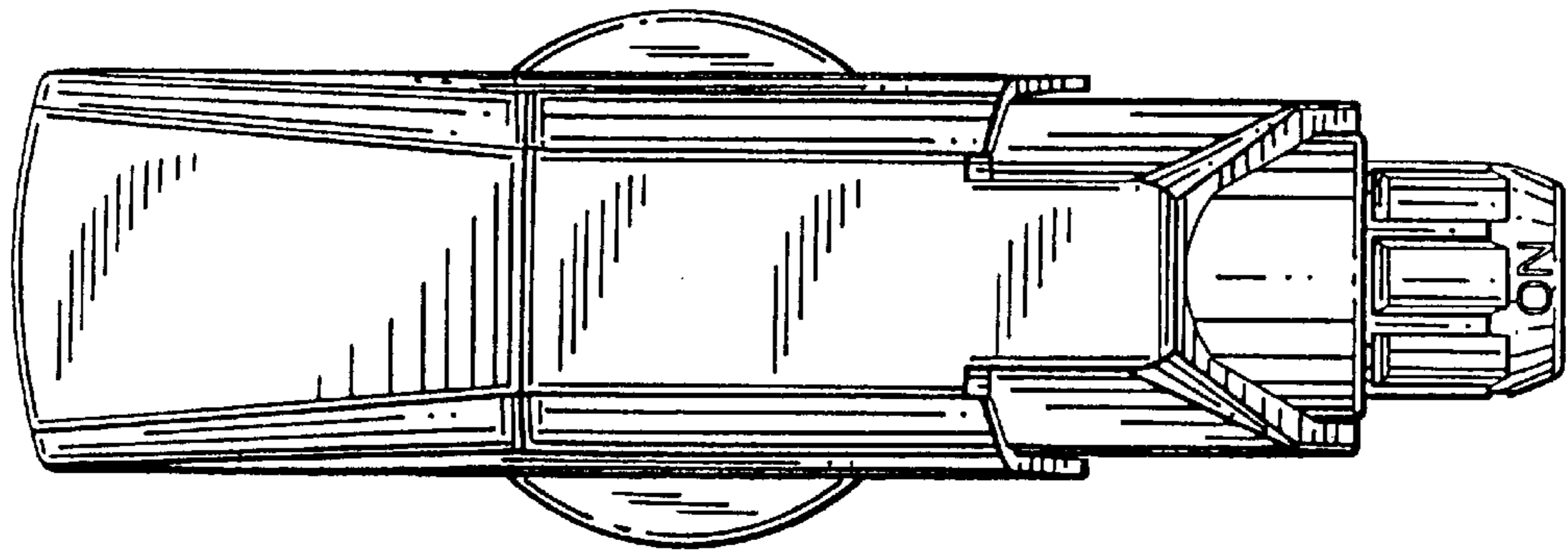


FIG. 3

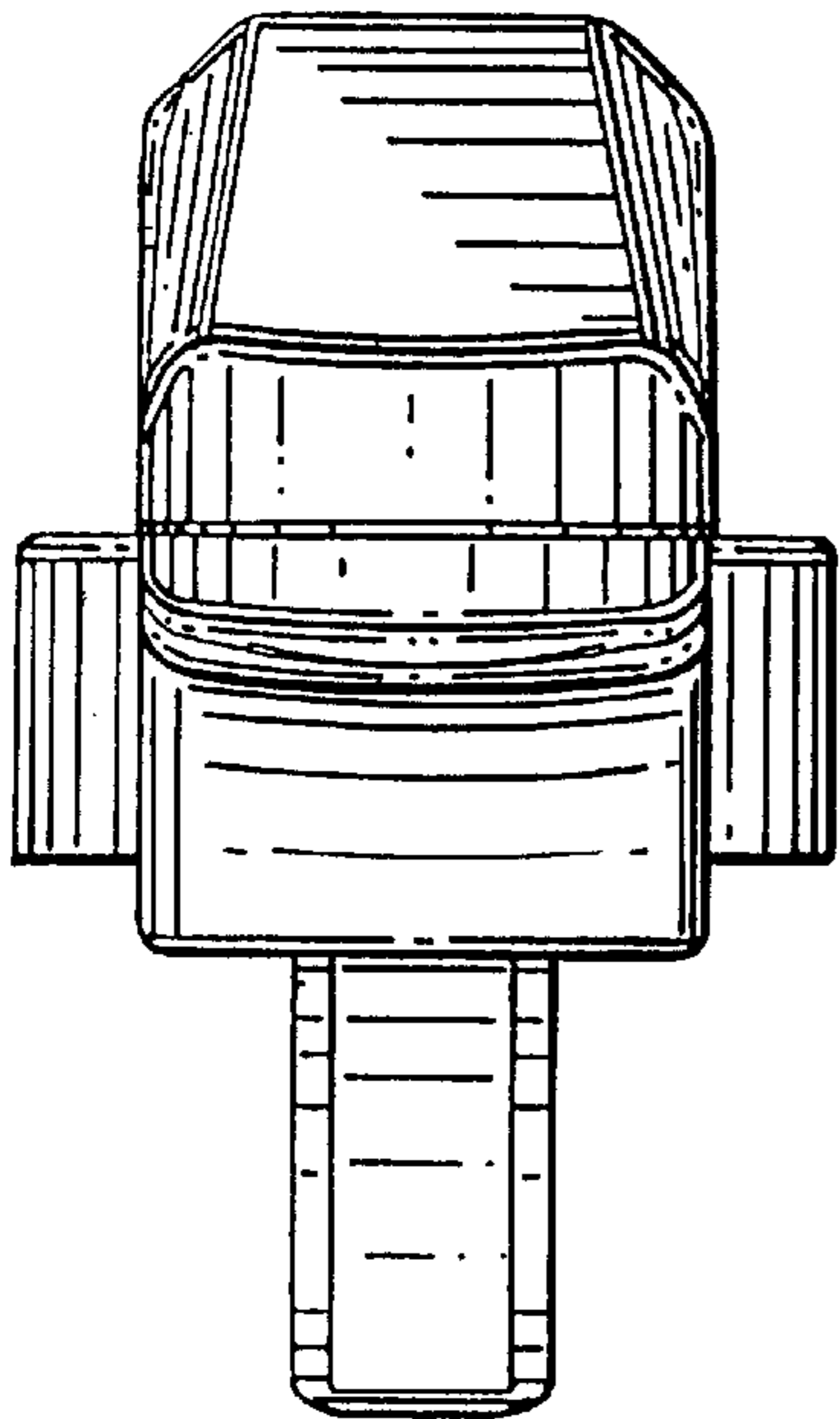


FIG. 4

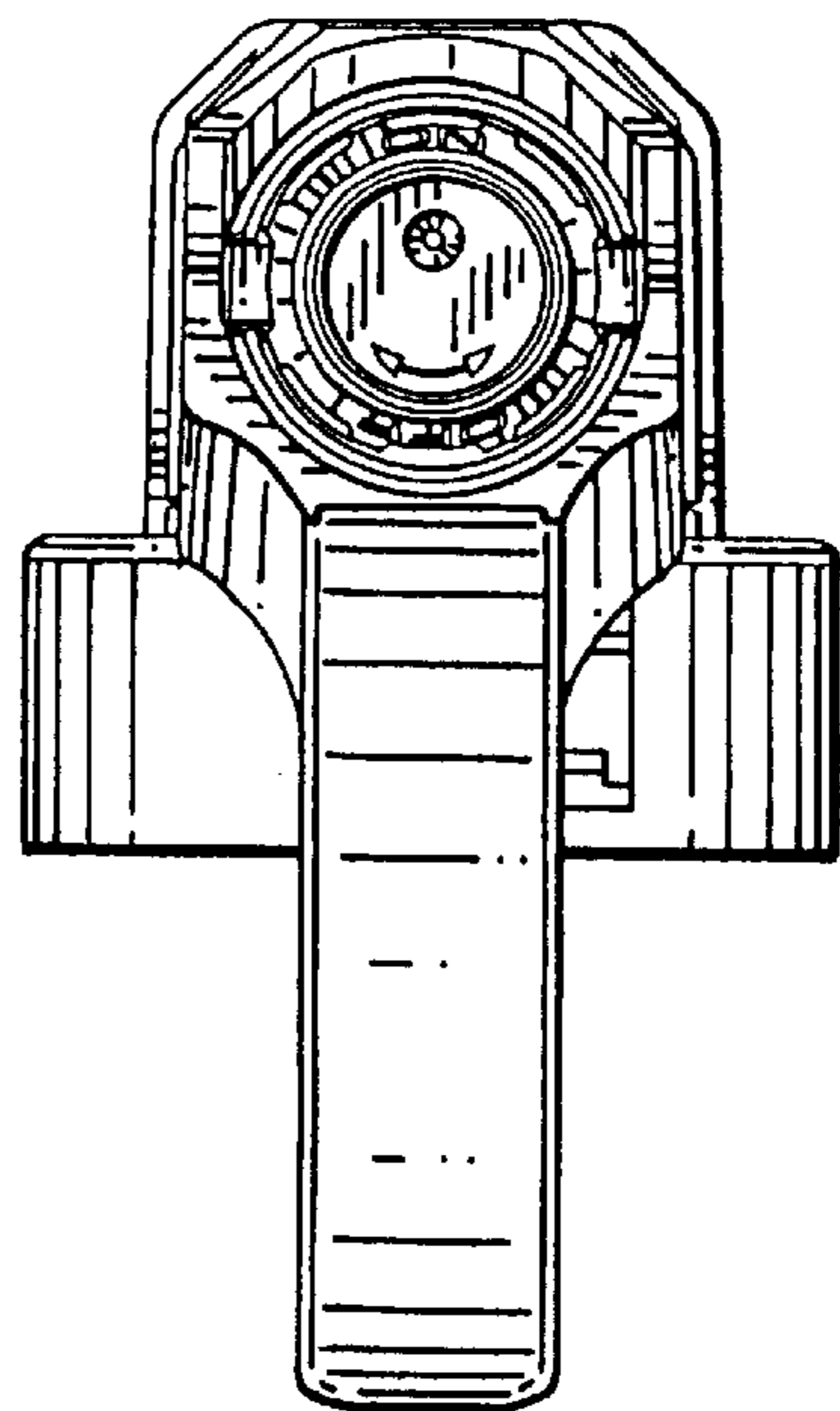


FIG. 5

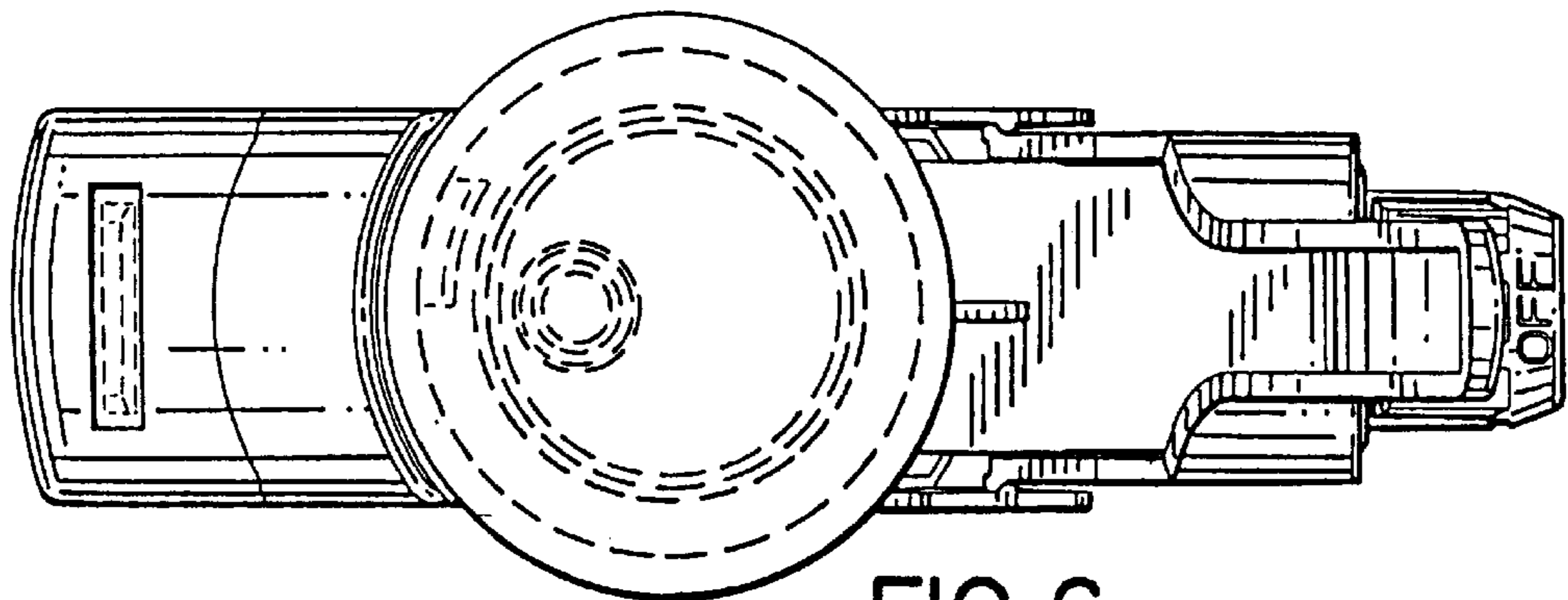


FIG. 6