



US00D439162S

(12) **United States Design Patent**
Juhng

(10) **Patent No.:** **US D439,162 S**

(45) **Date of Patent:** **** Mar. 20, 2001**

(54) **CONTAINER FOR SHOE CARE PRODUCTS**

(75) Inventor: **Zoey Juhng**, Philadelphia, PA (US)

(73) Assignee: **Shoe Store Supplies, Inc.**, Sharon Hill, PA (US)

(**) Term: **14 Years**

(21) Appl. No.: **29/123,281**

(22) Filed: **May 11, 2000**

(51) **LOC (7) Cl.** **09-03**

(52) **U.S. Cl.** **D9/430**

(58) **Field of Search** D9/430, 424, 428;
206/278, 229

(56) **References Cited**

U.S. PATENT DOCUMENTS

D. 356,368	*	3/1995	Kunze	D9/430
D. 374,177	*	10/1996	Onneweer	D9/341
D. 395,824	*	7/1998	Durliat	D9/430
3,131,410	*	5/1964	Anderson et al.	206/229
4,642,835	*	2/1987	Schmitz	206/229
4,706,807	*	11/1987	Andres	206/229

OTHER PUBLICATIONS

- Picture of Bates Shoe Care Products Container.
- Picture of Penguin Shoe Care Products Container.
- Picture of Bass Shoe Care Products Container.

* cited by examiner

Primary Examiner—Raphael Barkai

(74) *Attorney, Agent, or Firm*—Seidel Gonda Lavorgna & Monaco, PC

(57) **CLAIM**

The ornamental design for a container for shoe care products, as shown and described.

DESCRIPTION

FIG. 1 is an isometric view of a first embodiment of a container for shoe care products showing the new design; FIG. 2 is a top plan view of the container for show care products shown in FIG. 1; FIG. 3 is a bottom plan view of the container for show care products shown in FIG. 1; FIG. 4 is a left side elevation view of the container for shoe care products shown in FIG. 1; FIG. 5 is a right side elevation view of the container for shoe care products shown in FIG. 1; FIG. 6 is a back elevation view of the container for shoe care products shown in FIG. 1; FIG. 7 is a front elevation of the container for shoe care products shown in FIG. 1; FIG. 8 is an isometric view of an alternate embodiment of a container for shoe care products showing the new design; and, FIG. 9 is a top plan view of a second modified embodiment of the design shown in FIGS. 1–7 showing to containers for shoe care products arranged in a yin-yang configuration, the broken lines are for illustrative purposes only and form no part of the claimed design.

All broken-line illustrations appearing in the drawings are for illustrative purposes only and form no part of the claimed design.

1 Claim, 5 Drawing Sheets

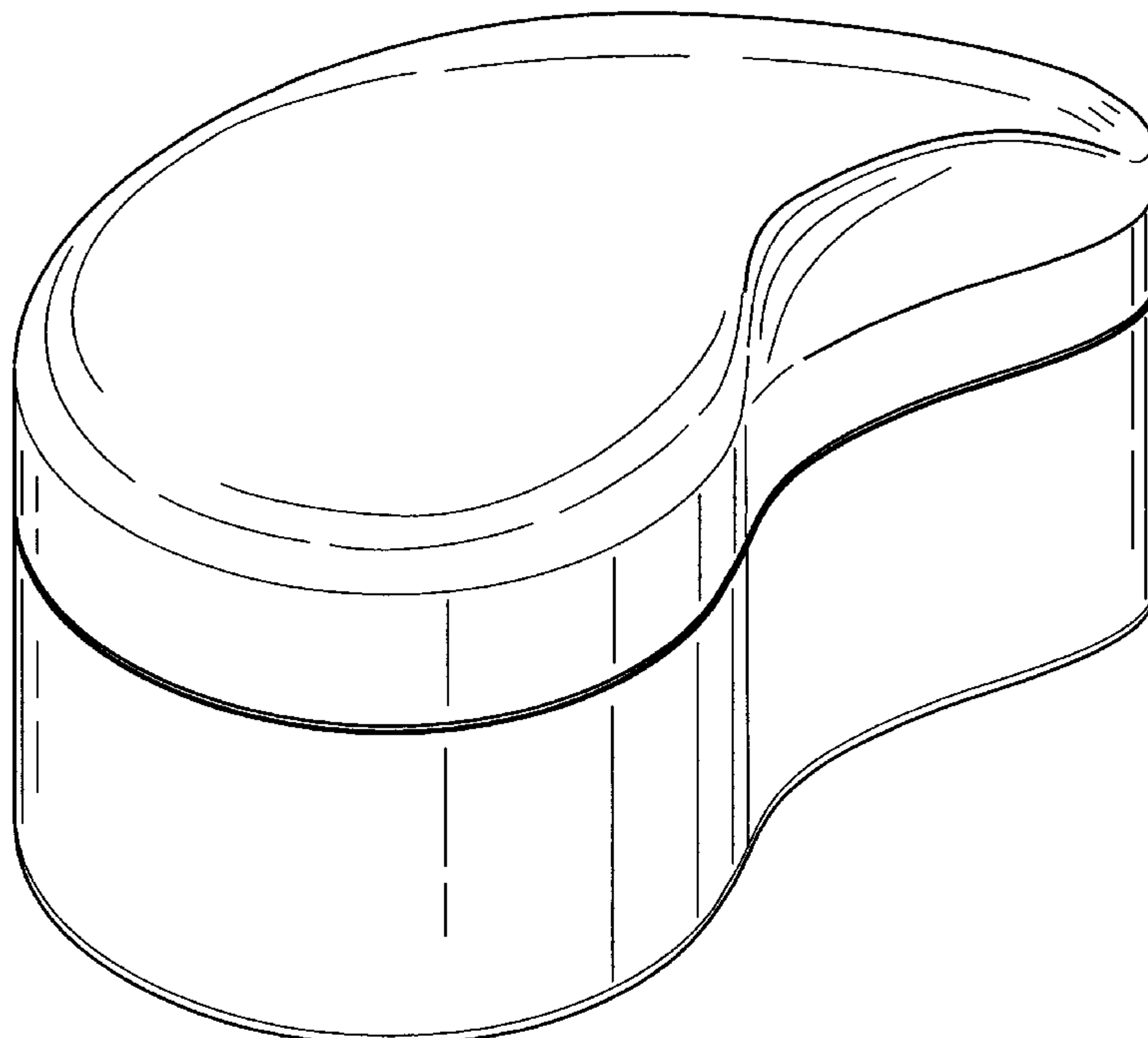


FIG. 1

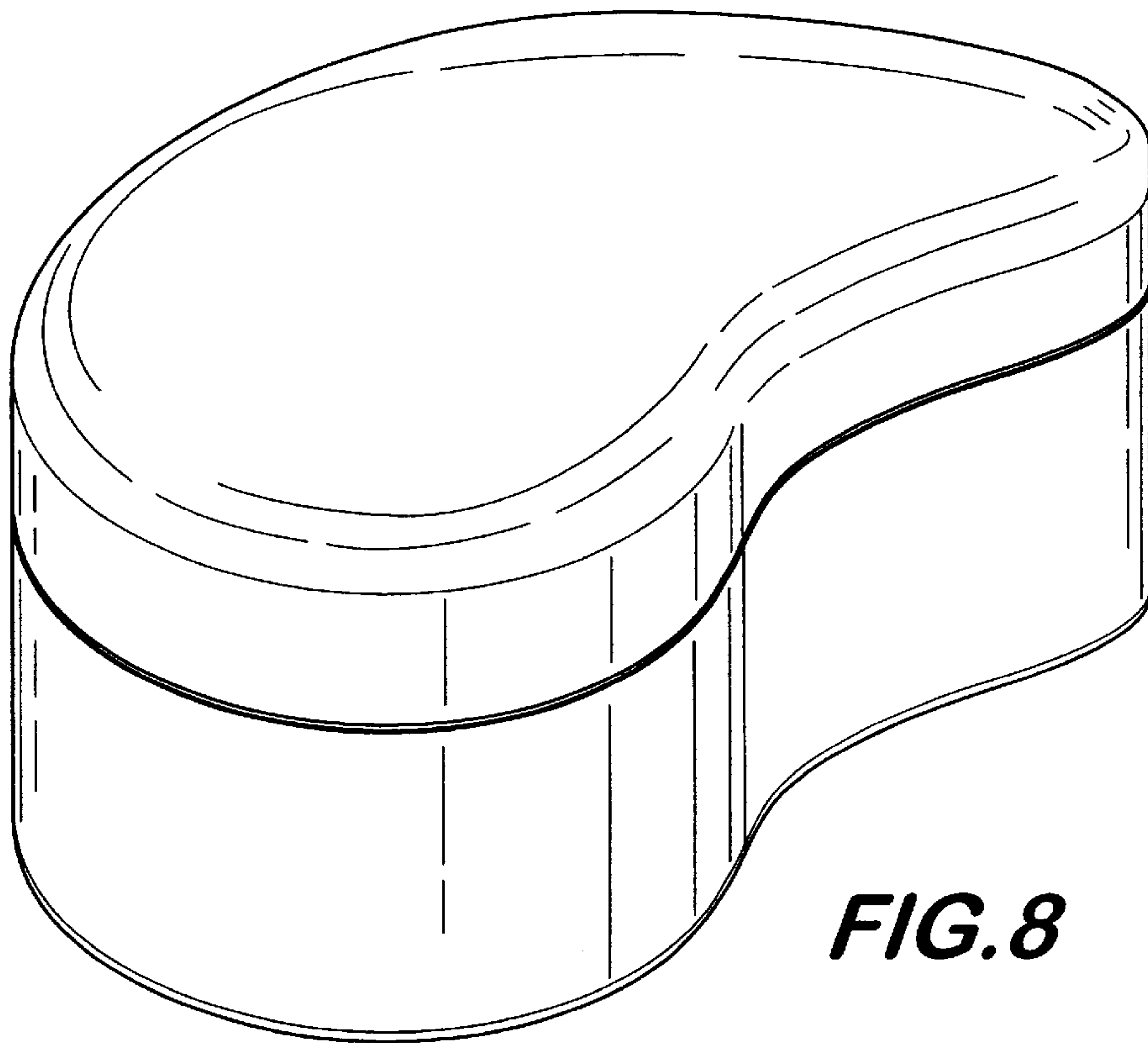
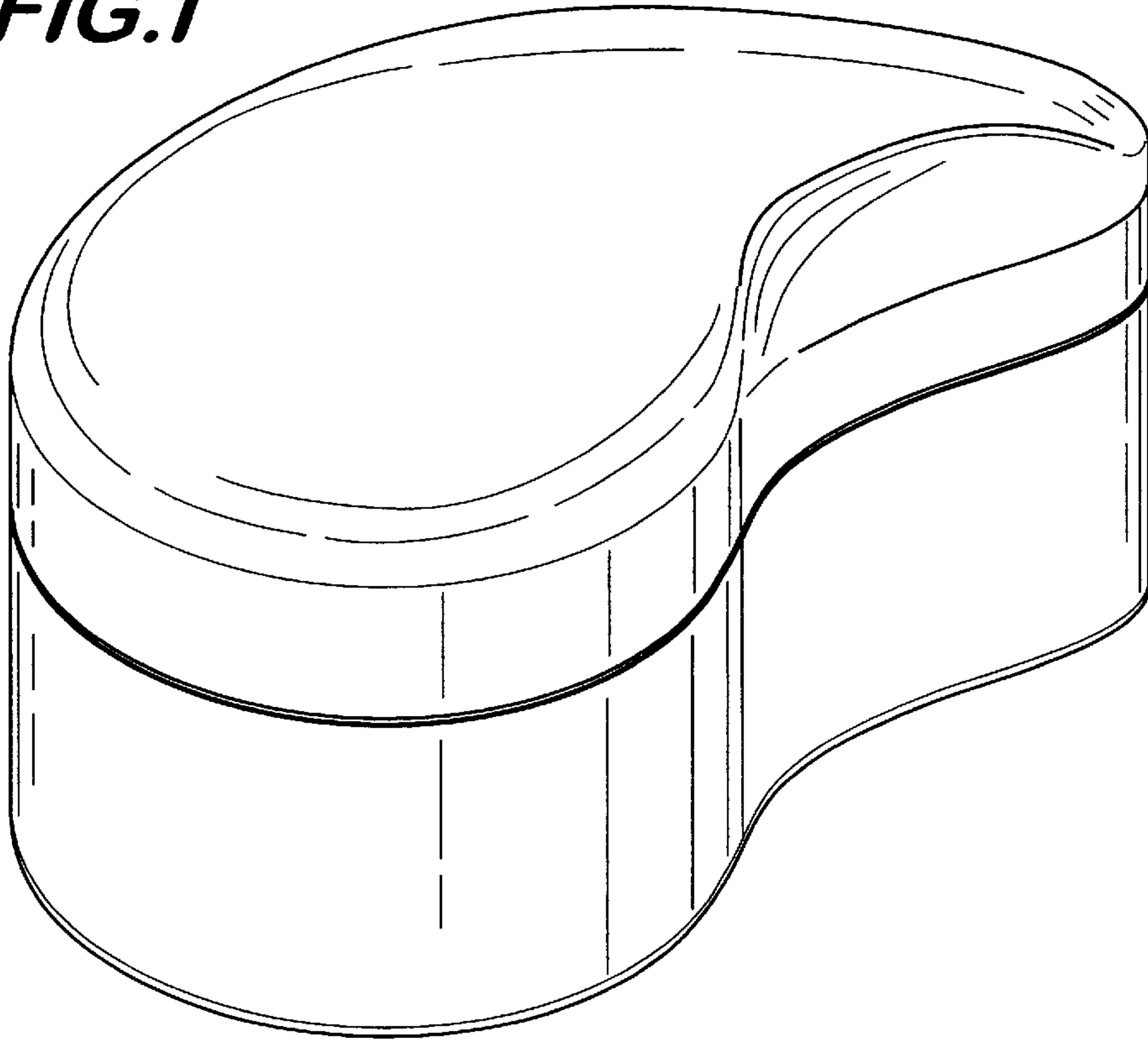


FIG. 8

FIG. 2

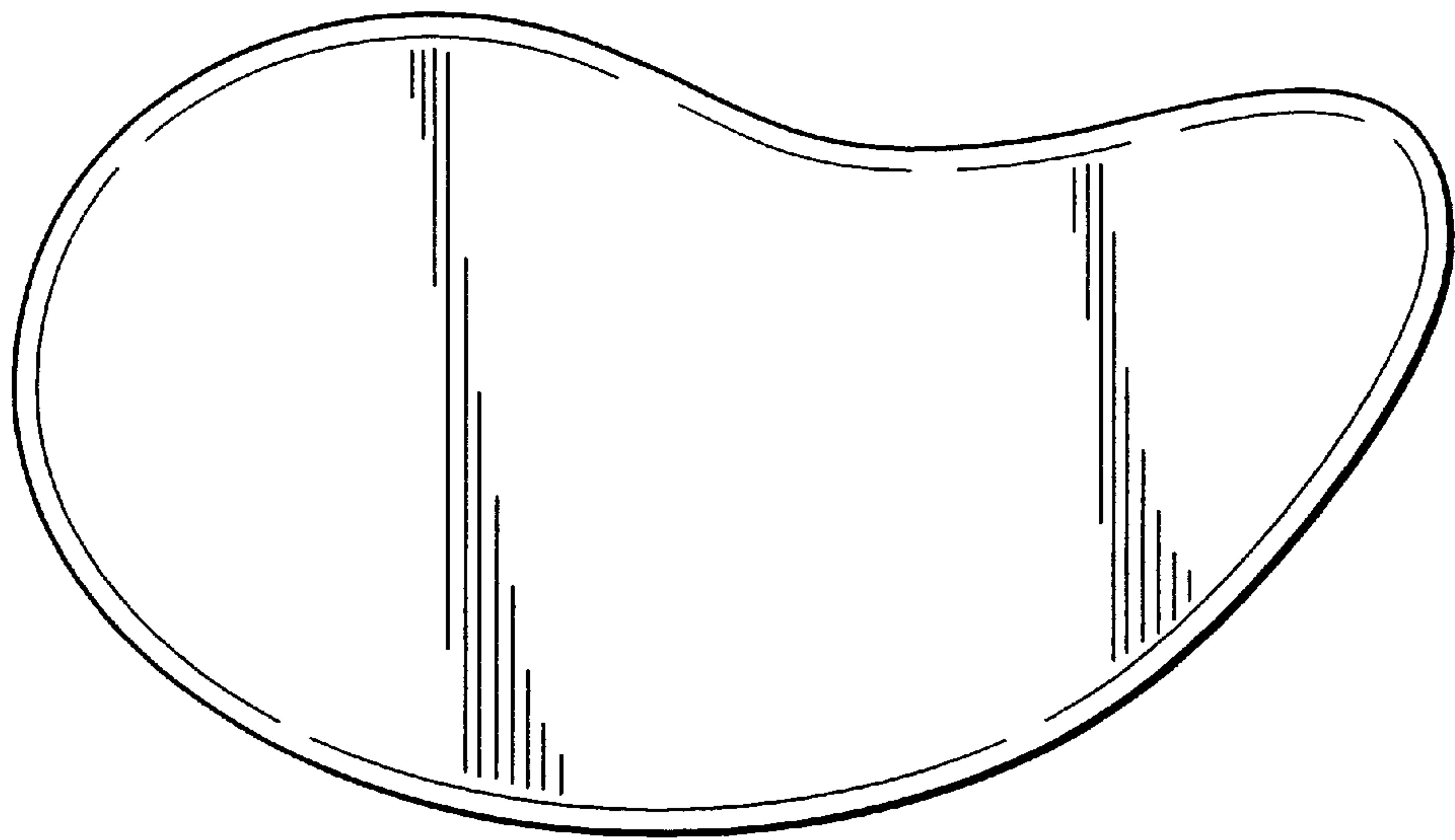
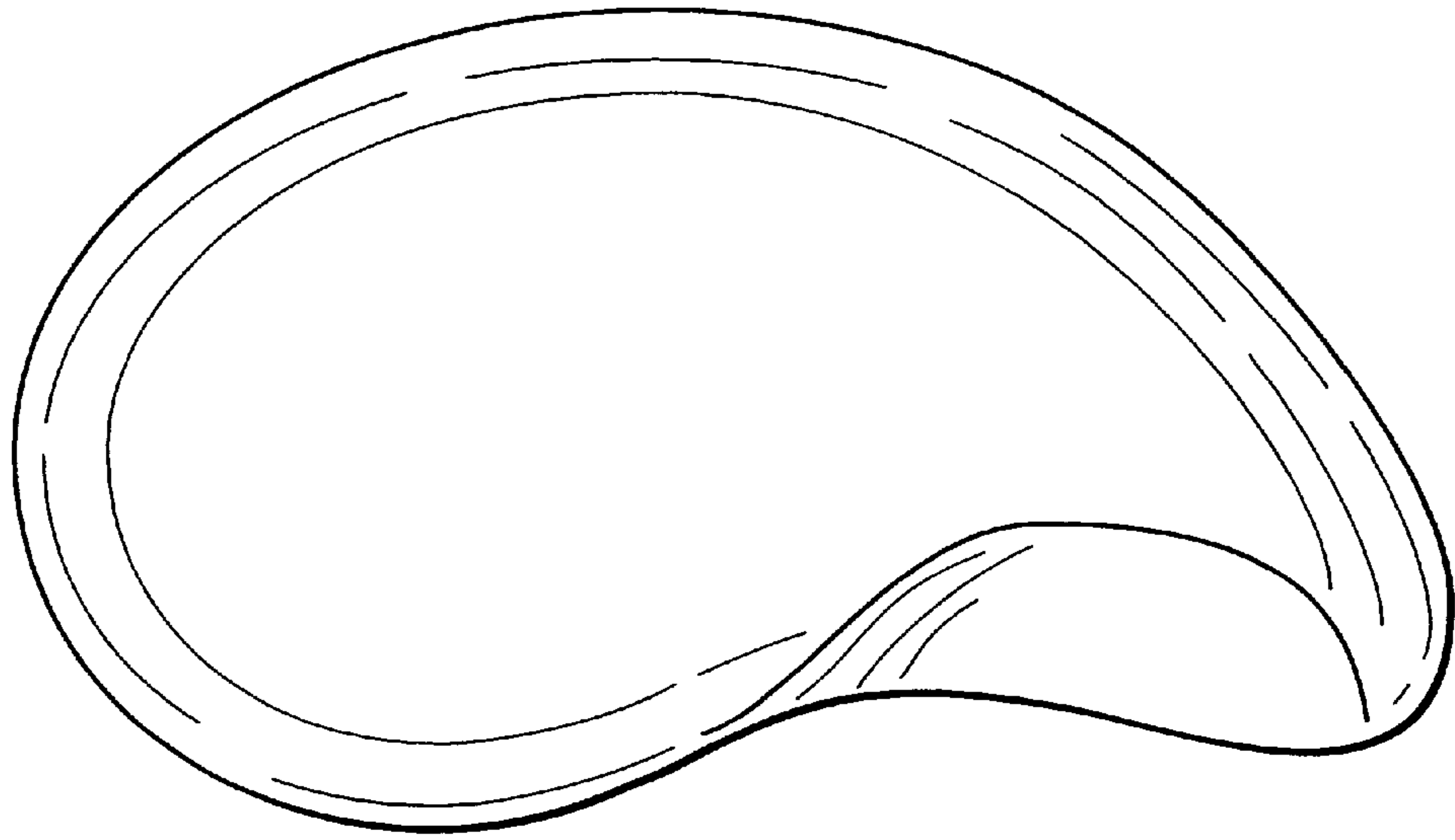


FIG. 3

FIG. 4

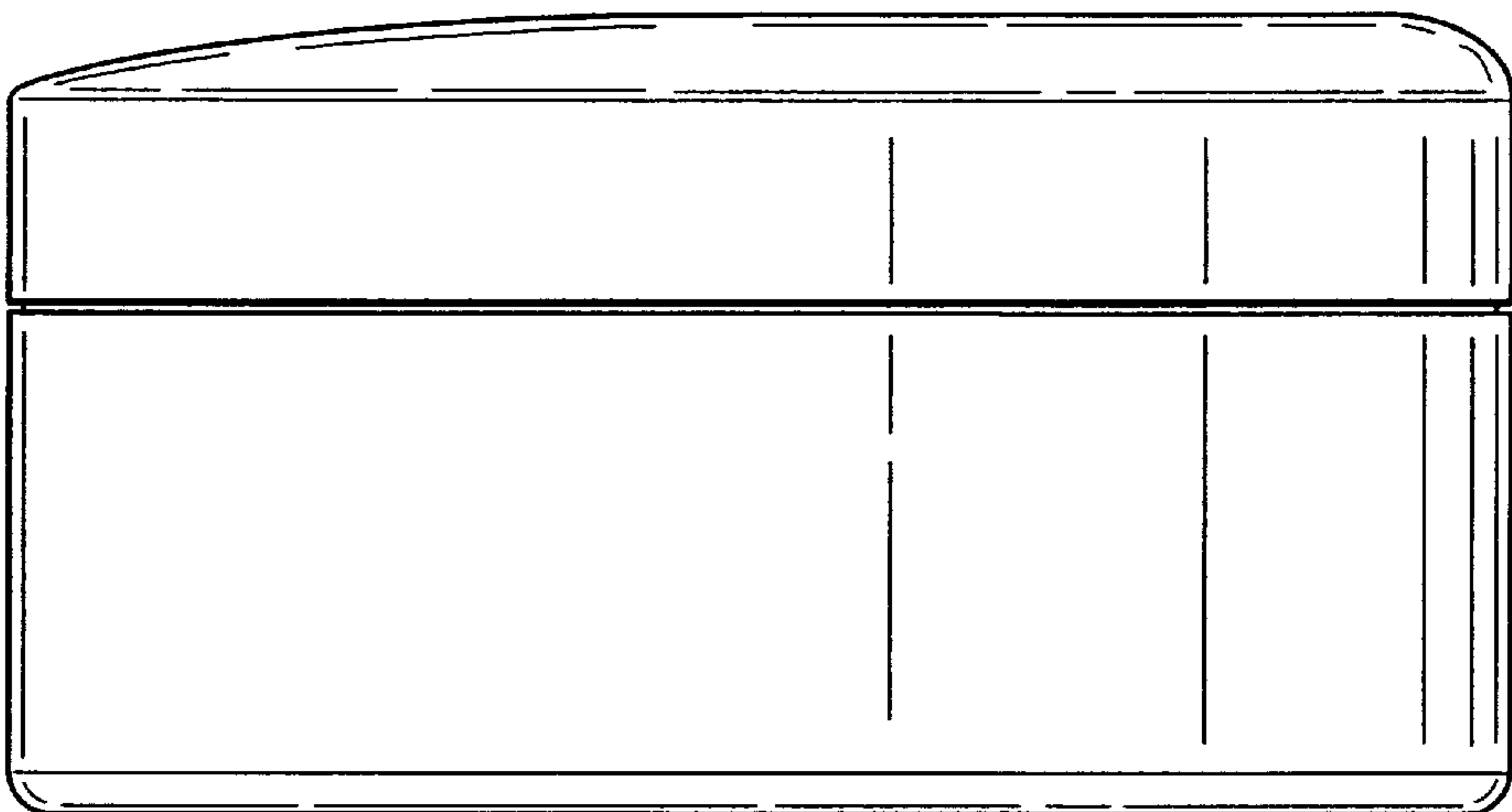
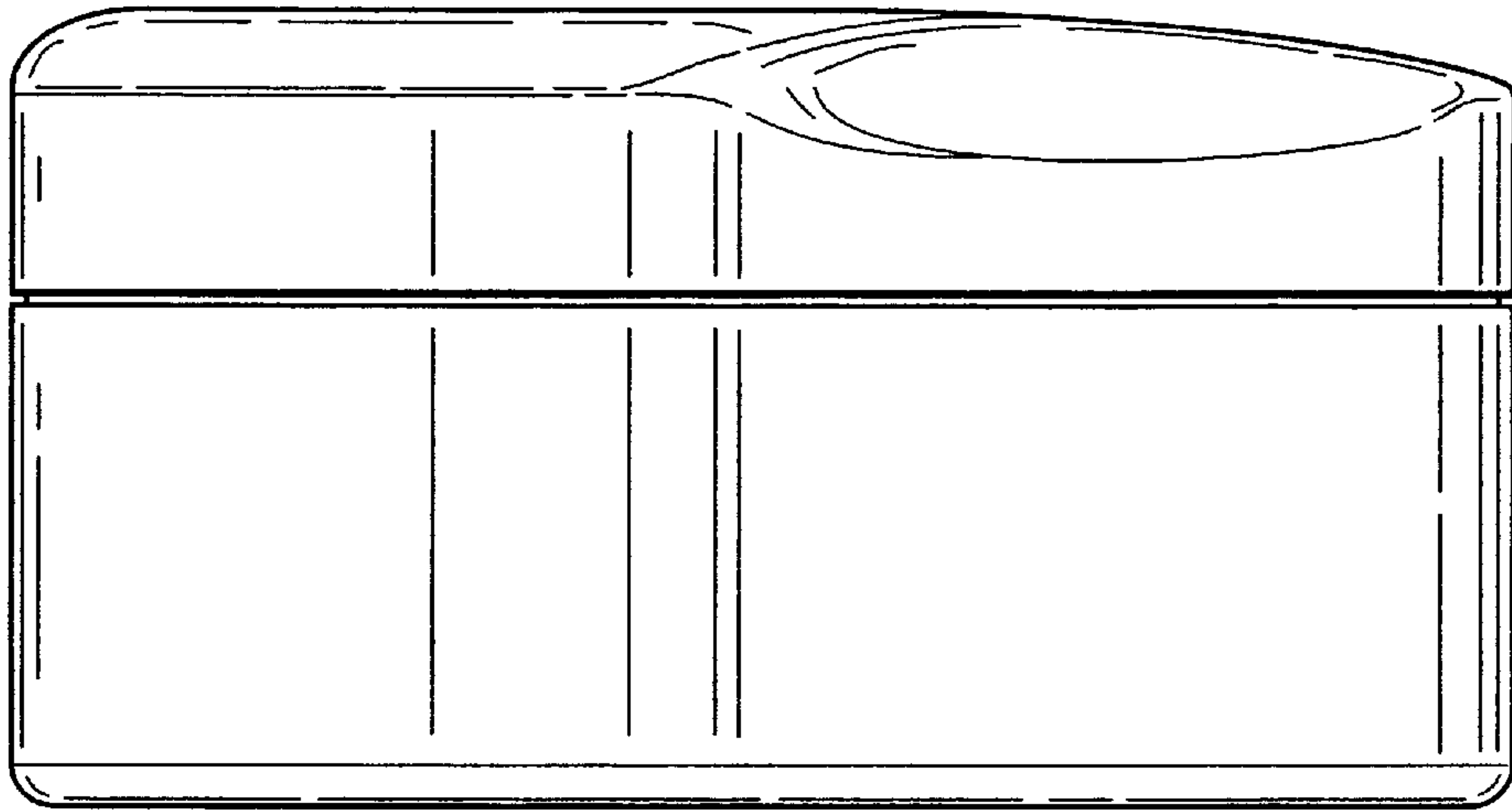


FIG. 5

FIG. 6

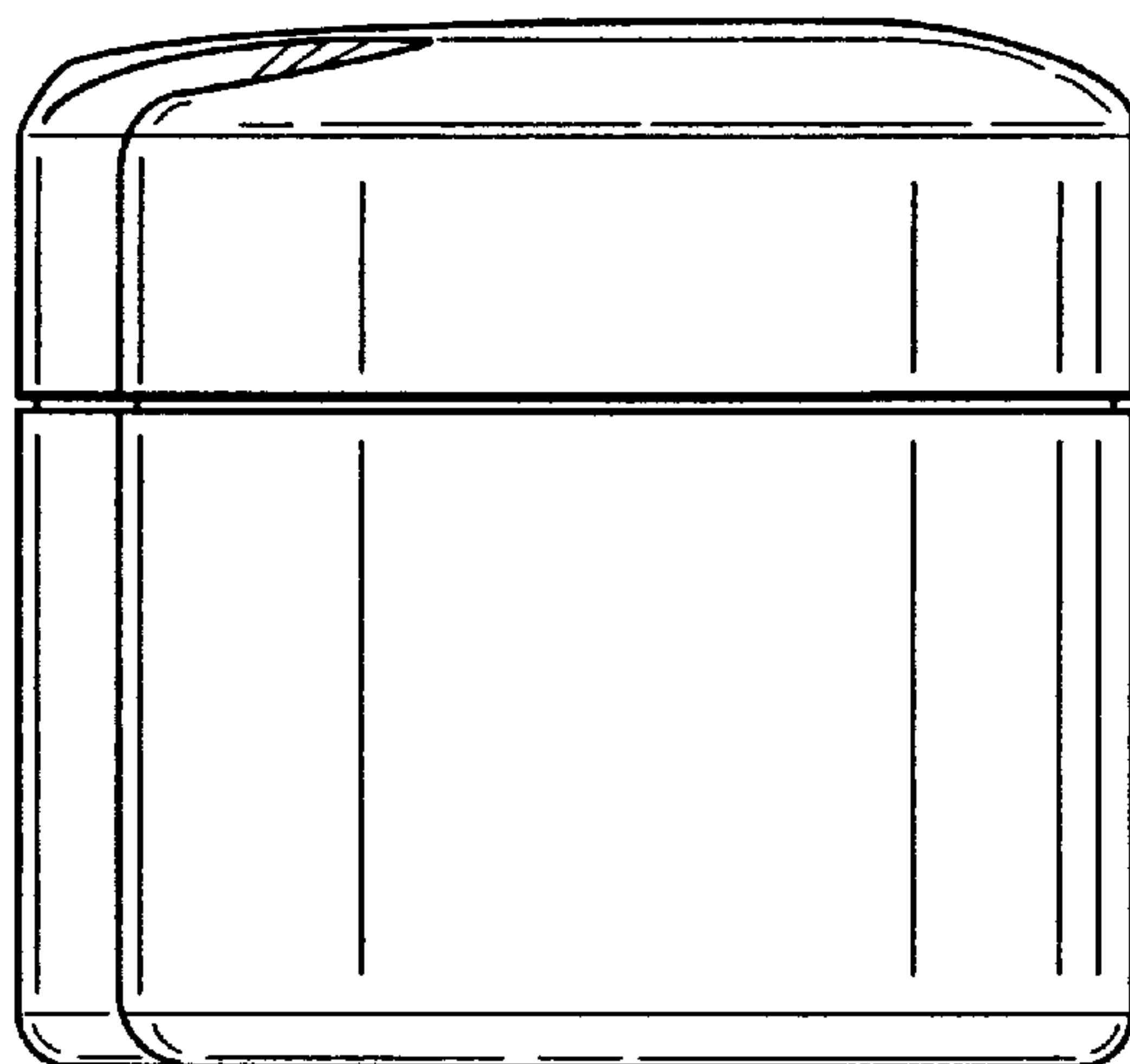
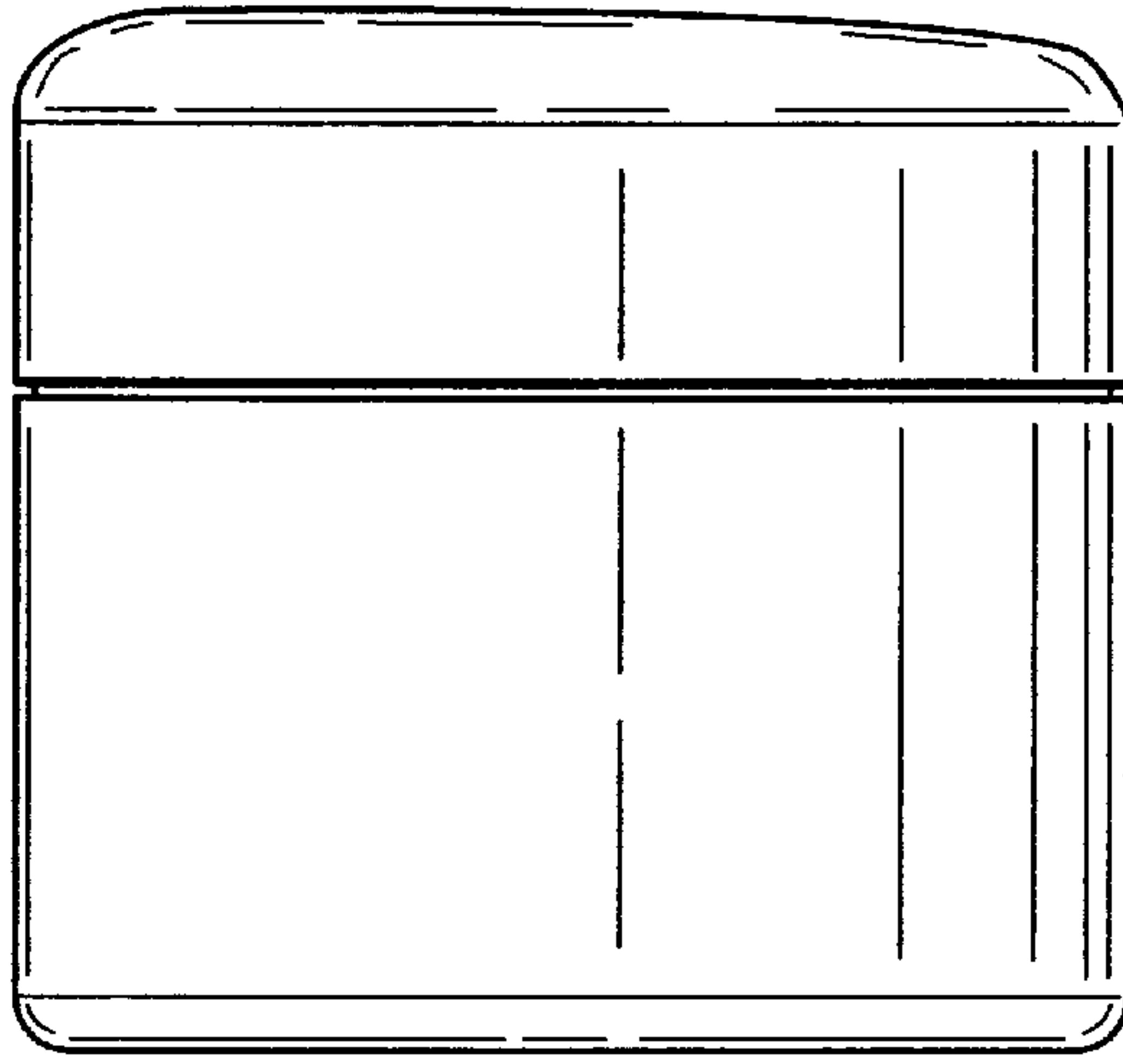


FIG. 7

FIG. 9

