



US00D439159S

(12) **United States Design Patent**  
**Chen**

(10) **Patent No.:** **US D439,159 S**

(45) **Date of Patent:** **\*\* Mar. 20, 2001**

(54) **RECTANGULAR STACKABLE CONTAINER INCLUDING TRIPLE SEALED RIM**

(75) Inventor: **Jeffrey Chen**, Staten Island, NY (US)

(73) Assignee: **Newspring Industrial Corp.**, East Newark, NJ (US)

(\*\*) Term: **14 Years**

(21) Appl. No.: **29/081,160**

(22) Filed: **Dec. 23, 1997**

(51) **LOC (7) Cl.** ..... **09-07**

(52) **U.S. Cl.** ..... **D9/425; D9/443**

(58) **Field of Search** ..... D9/420-426, 432, D9/443; D3/201, 323, 326; 206/508; 220/1.5, 4.21-4.24, 4.26, 8, 23.6, 252, 253, 781, 793, 794, 797, 376, 835, 789, 790; D7/629, 602

(56) **References Cited**

**U.S. PATENT DOCUMENTS**

D. 246,289	*	11/1977	Boucher	.....	D9/426
D. 263,684	*	4/1982	Davis	.....	D9/426
D. 339,744	*	9/1993	Seppala	.....	D9/425
D. 382,796	*	8/1997	Mangla	.....	D9/425 X
D. 389,057	*	1/1998	Hayes et al.	.....	D9/425 X
2,880,859	*	4/1959	Tupper	.....	220/789 X
3,394,861	*	7/1968	Truax	.....	220/256 X
4,974,738	*	12/1990	Kidd et al.	.....	220/4.24
5,377,860	*	1/1995	Littlejohn et al.	.....	220/790

\* cited by examiner

*Primary Examiner*—Prabhakar Deshmukh  
(74) *Attorney, Agent, or Firm*—Gibbons, Del Deo, Dolan, Griffinger & Vecchione

(57) **CLAIM**

The ornamental design for a rectangular stackable container including triple sealed rim, as shown and described.

**DESCRIPTION**

FIG. 1 is a top perspective view of the container;  
 FIG. 2 is a top perspective view of the lid for the container shown separately for clarity;  
 FIG. 3 is a front view of the lid for the container, the back view being a mirror image, shown separately for clarity;  
 FIG. 4 is a side view for the lid of the container, the opposite view being a mirror image, shown separately for clarity;  
 FIG. 5 is a top plan view of the lid for the container shown separately for clarity;  
 FIG. 6 is a bottom plan view of the lid for the container shown separately for clarity;  
 FIG. 7 is a top perspective view of the base for the container shown separately for clarity;  
 FIG. 8 is a front view of the base for the container, the back view being a mirror image, shown separately for clarity;  
 FIG. 9 is a side view of the base for the container, the opposite side view being a mirror image, shown separately for clarity;  
 FIG. 10 is a top plan view of the base for the container shown separately for clarity; and,  
 FIG. 11 is a bottom plan view of the base for the container shown separately for clarity.

**1 Claim, 9 Drawing Sheets**

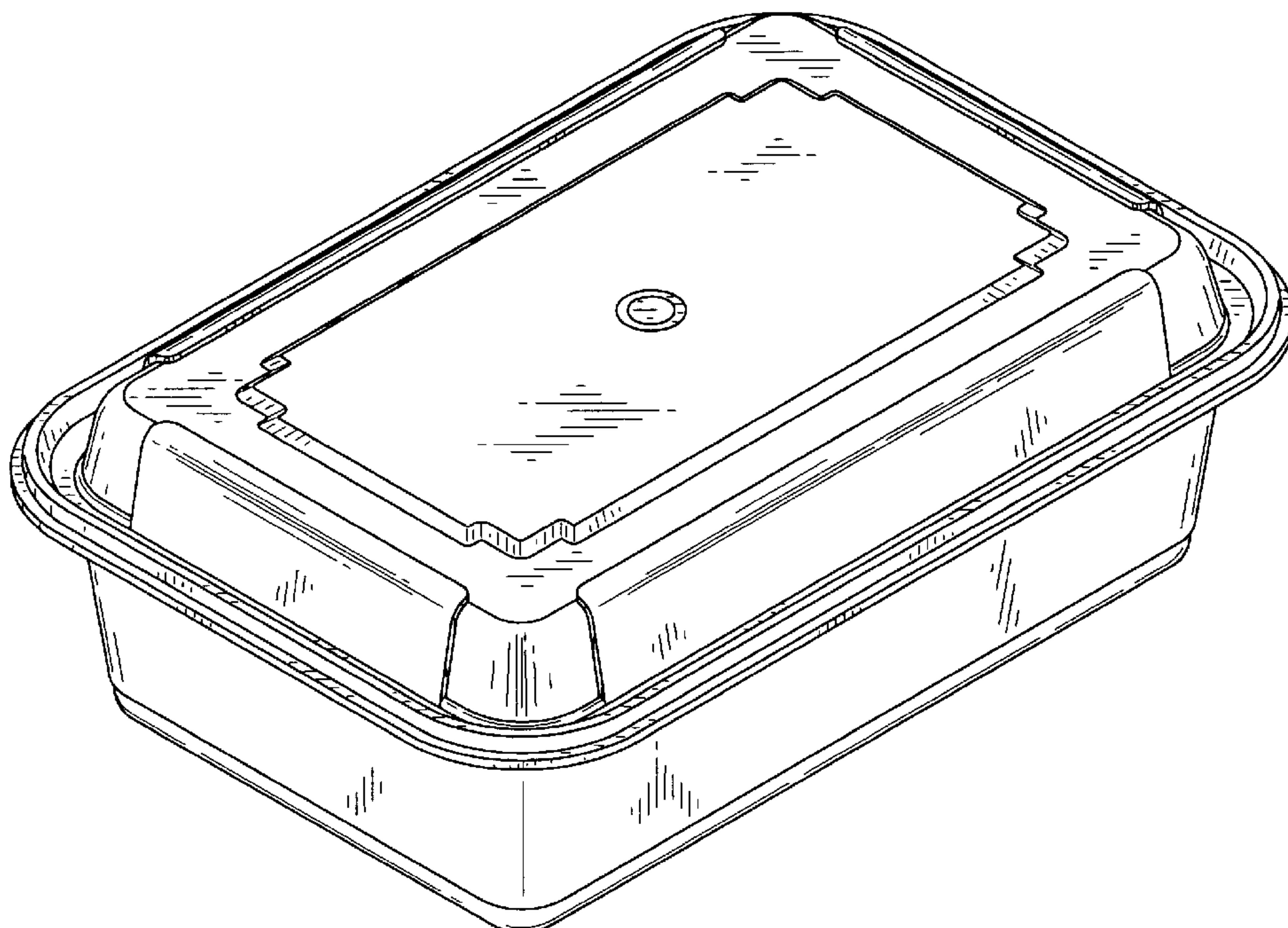


FIG. 1

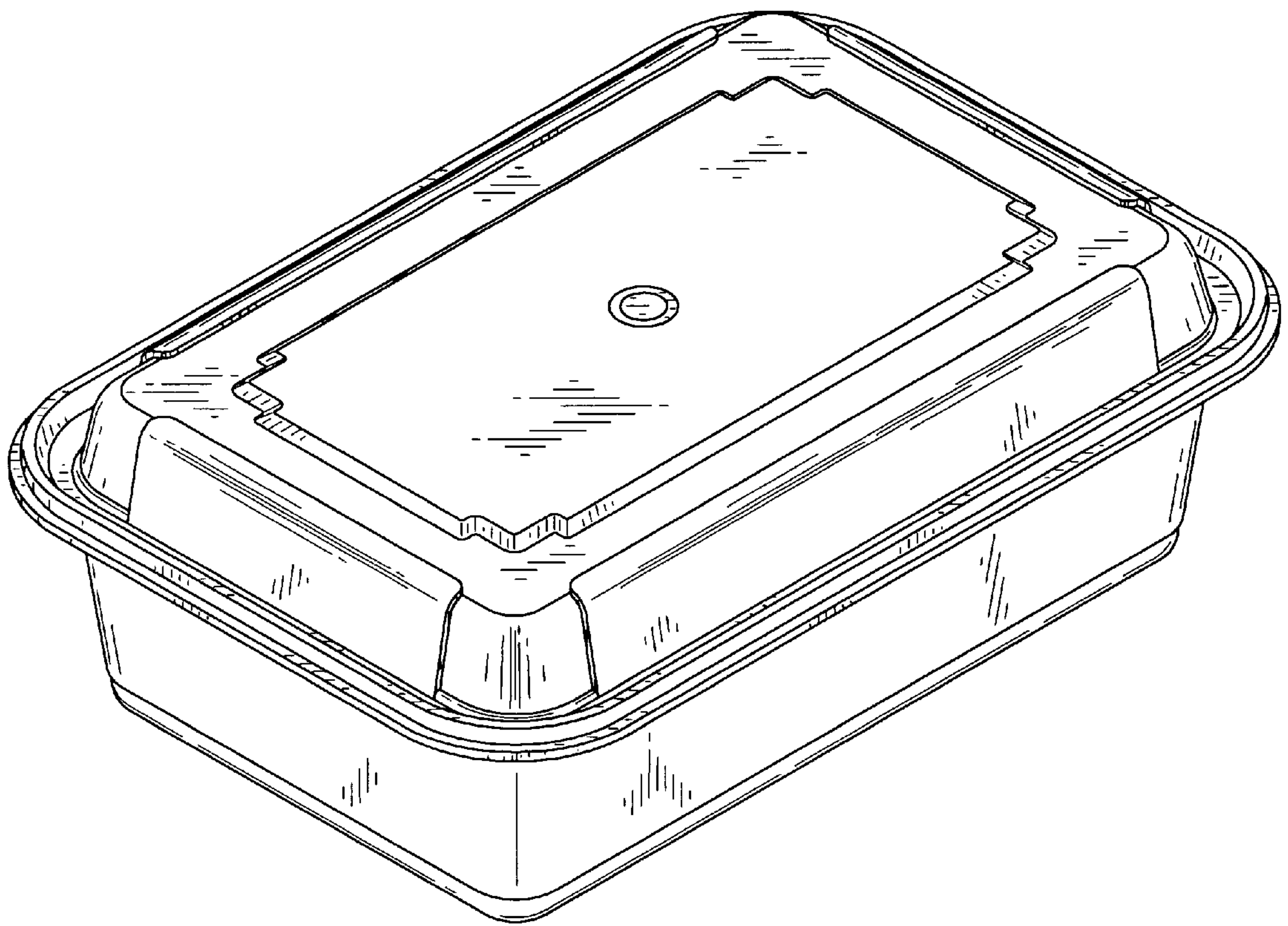
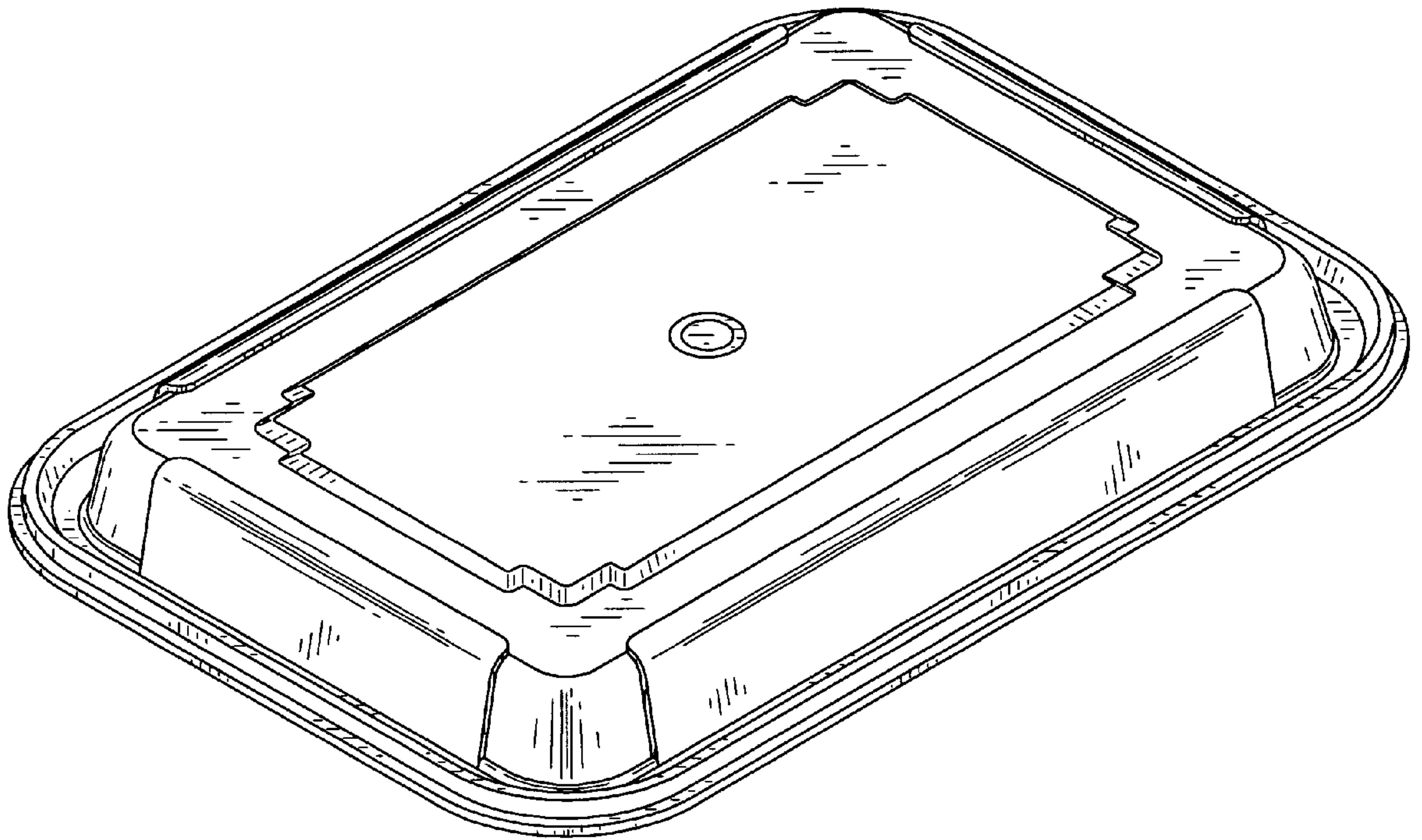
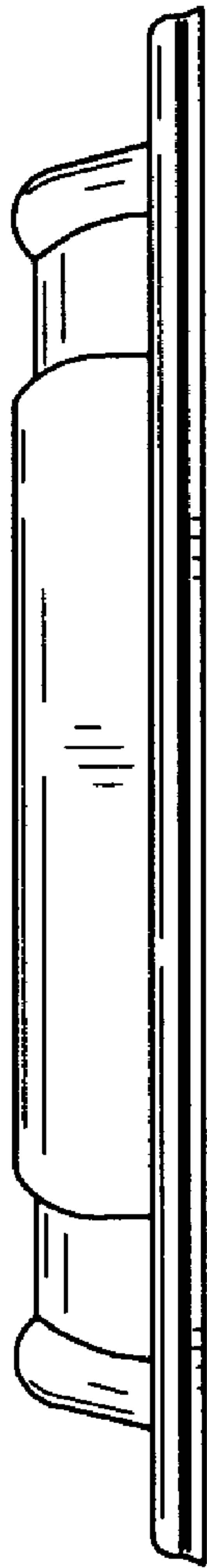


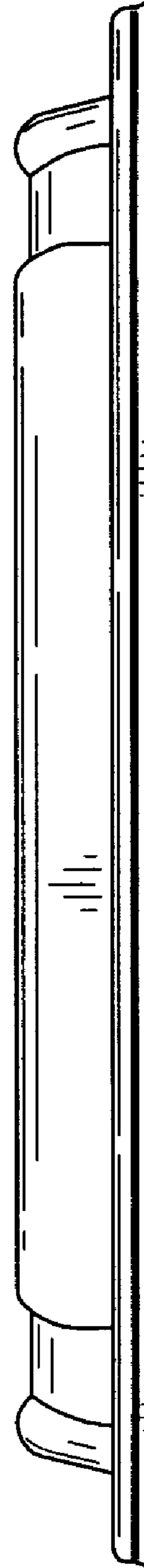
FIG. 2



**FIG. 3**

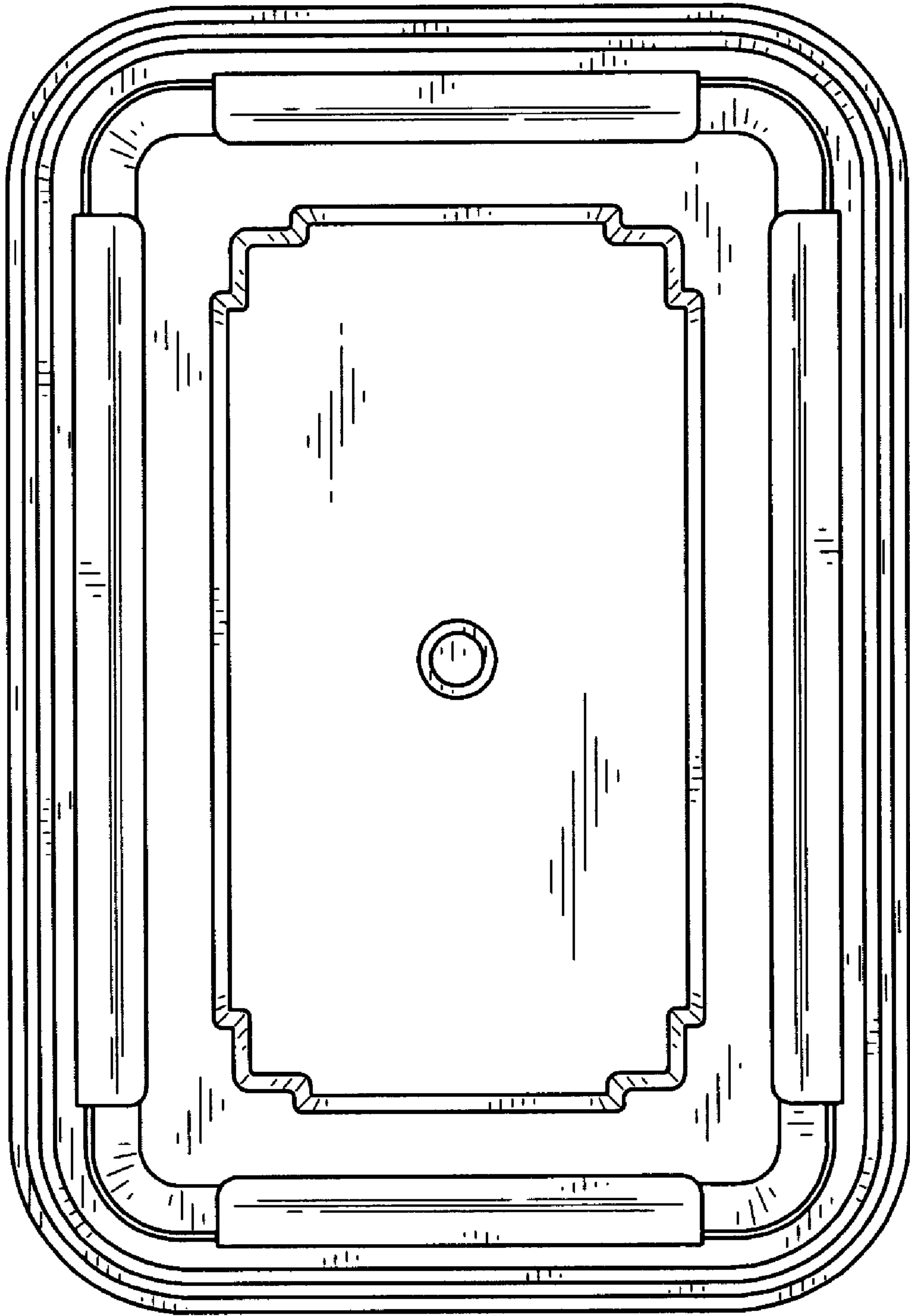


**FIG. 4**





**FIG. 5**



**FIG. 6**

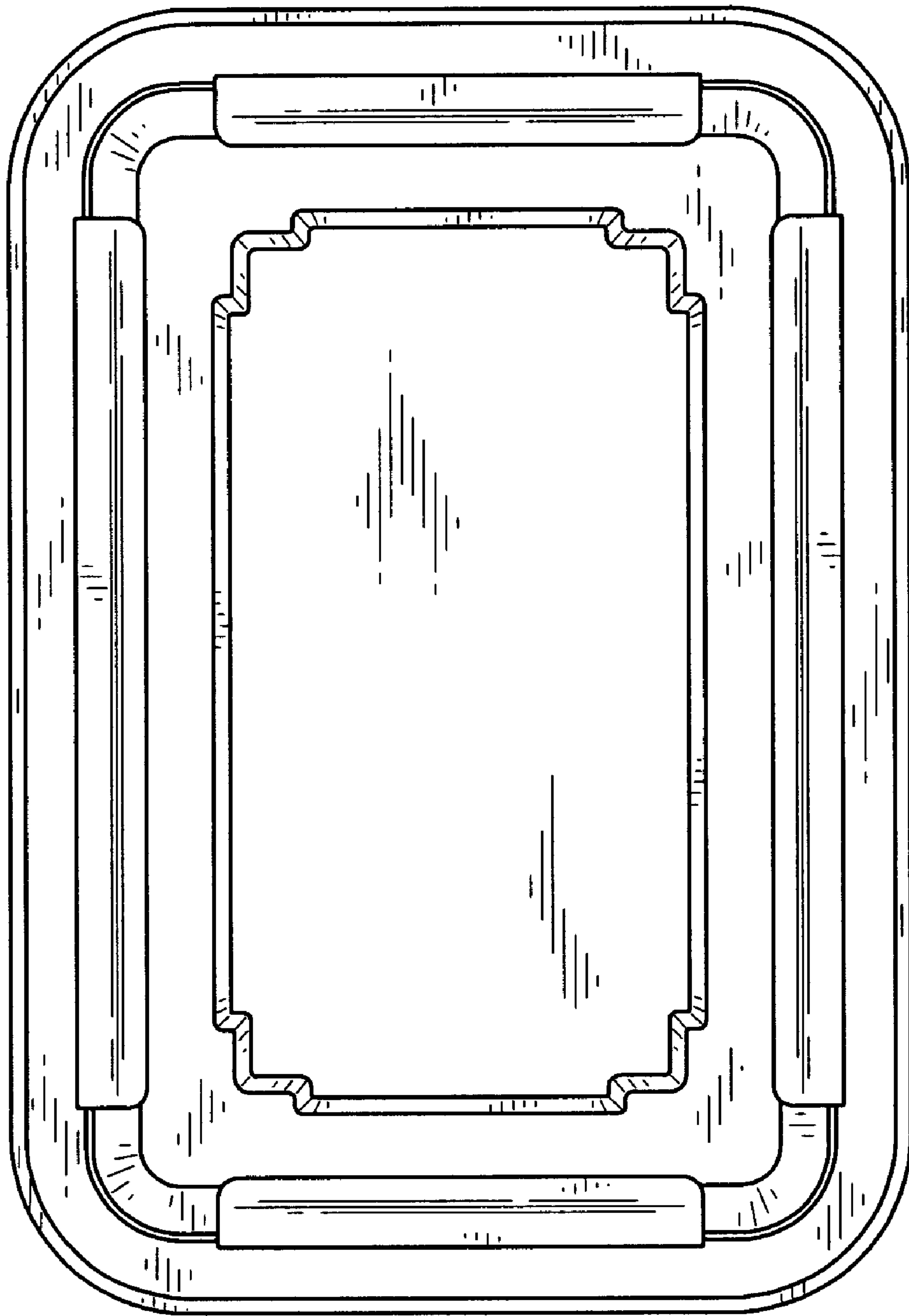
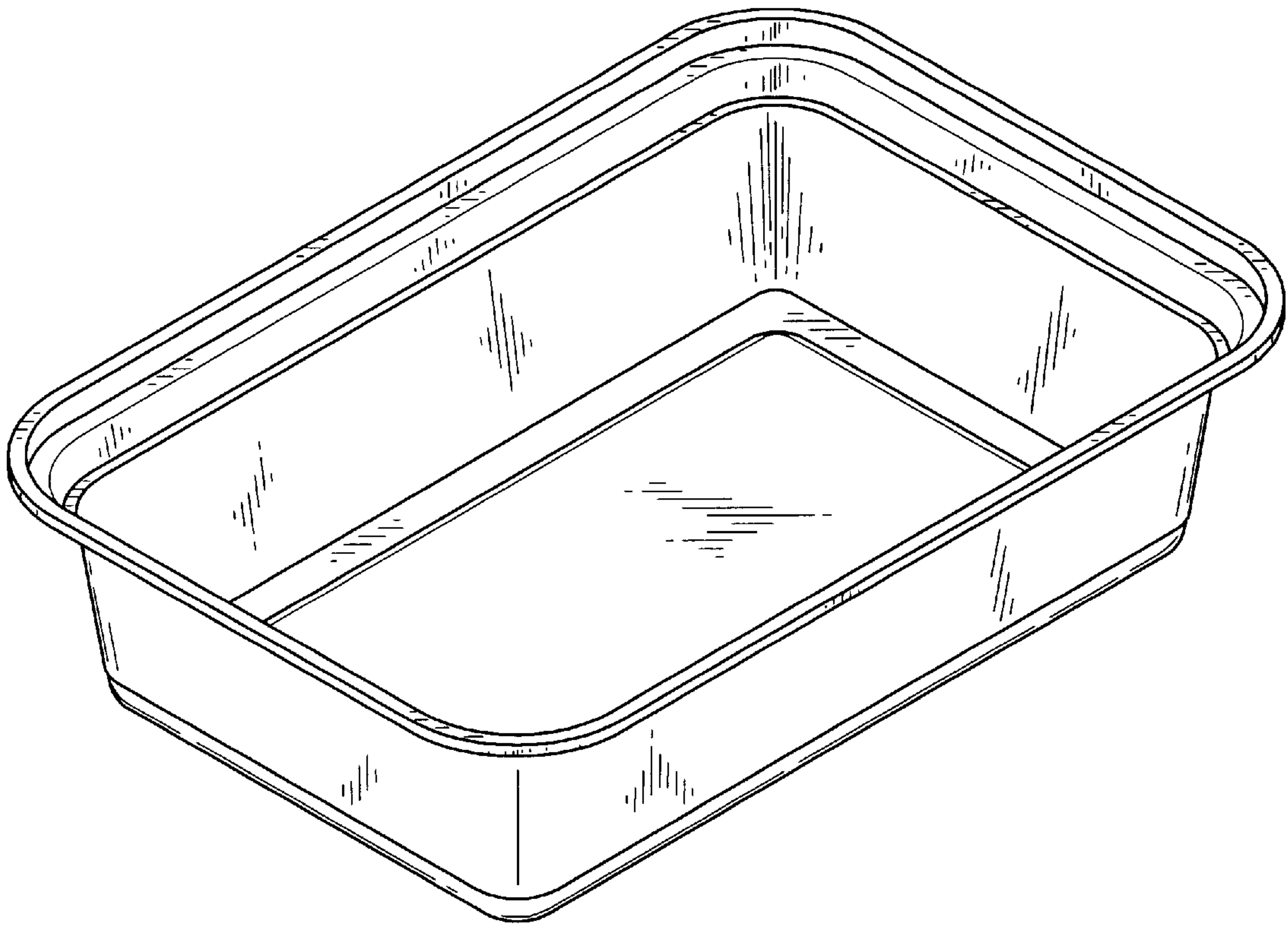
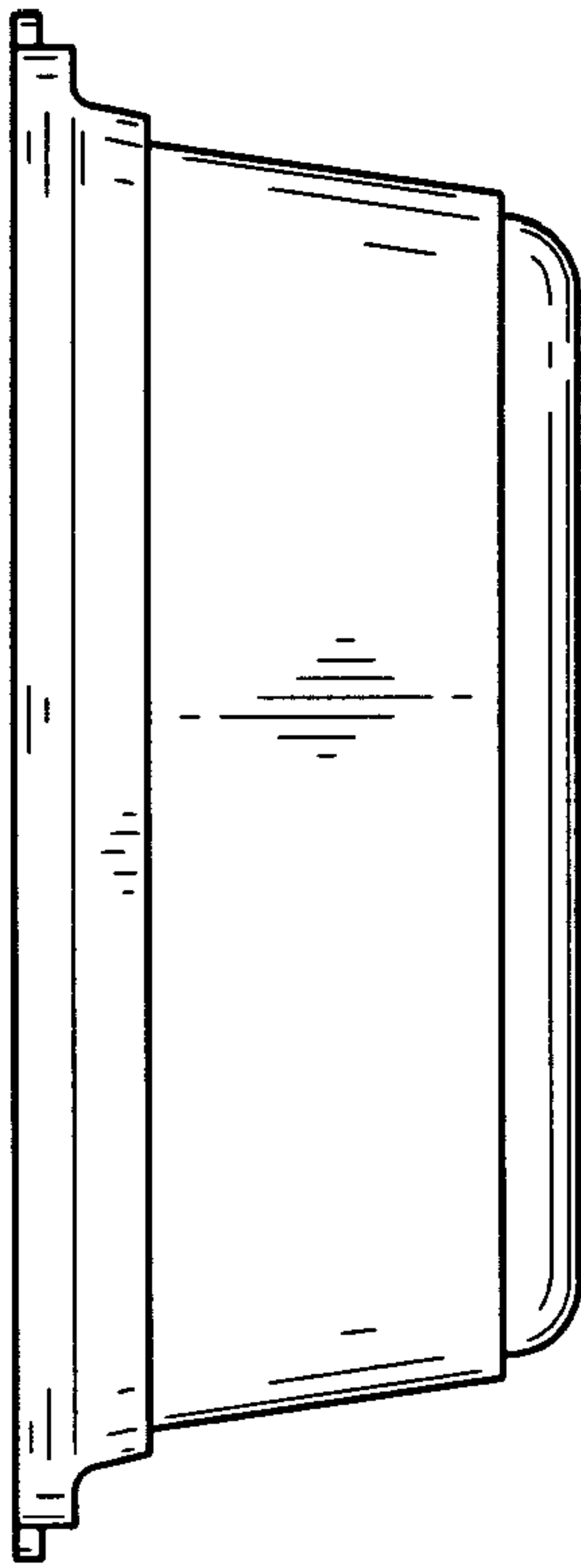


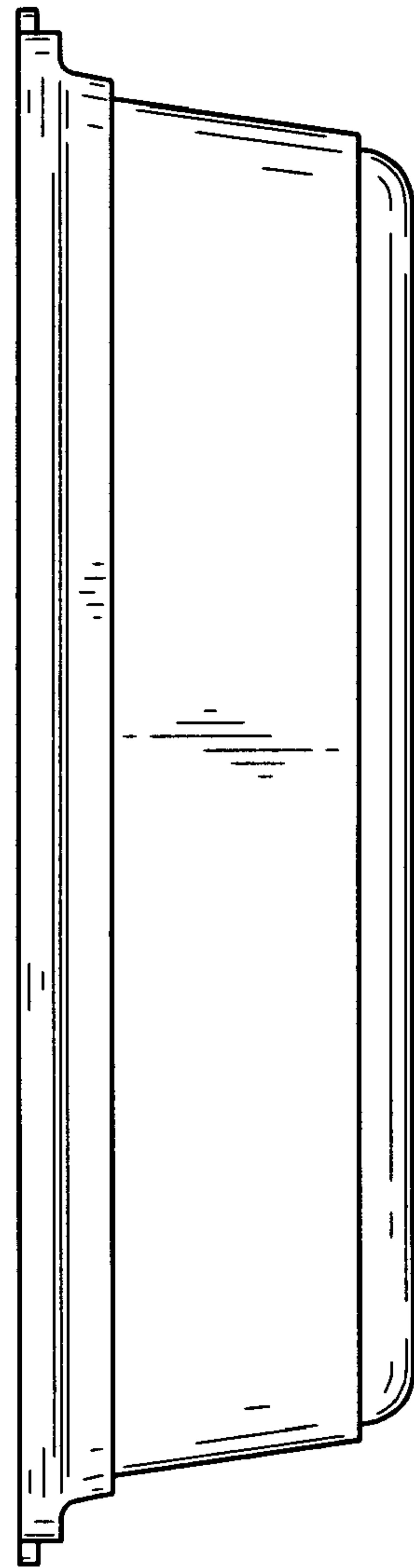
FIG. 7



**FIG. 8**

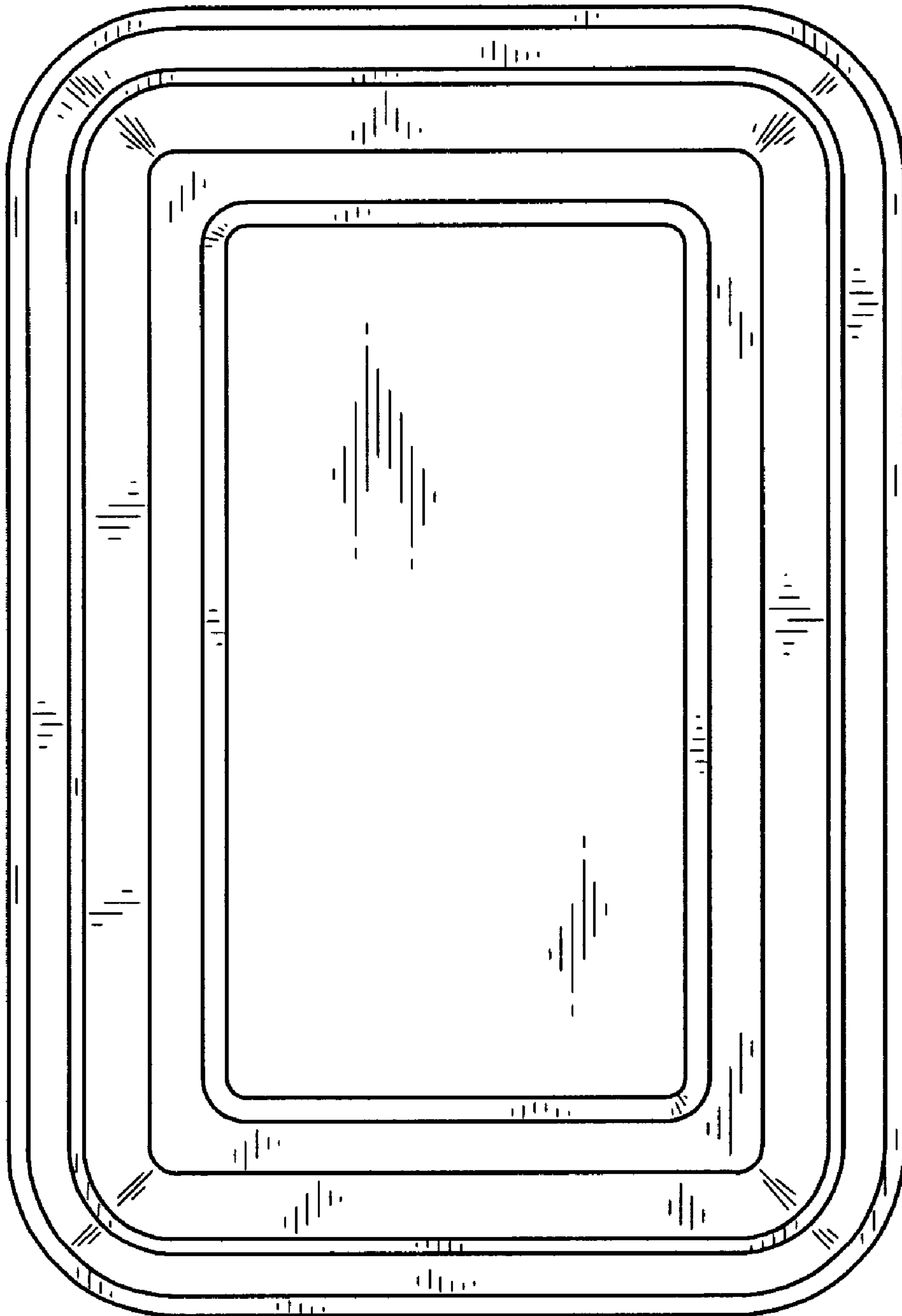


**FIG. 9**





**FIG. 10**



**FIG. 11**

