



US00D439157S

(12) **United States Design Patent**
Tsuruishi et al.

(10) **Patent No.:** **US D439,157 S**
(45) **Date of Patent:** **** Mar. 20, 2001**

(54) **DISPLAY CARTON**

(75) Inventors: **Hideaki Tsuruishi**, Yokohama; **Keita Yoshida**, Tokyo; **Tomomi Yoshida**, Yokohama, all of (JP)

(73) Assignee: **Canon Kabushiki Kaisha**, Tokyo (JP)

(**) Term: **14 Years**

(21) Appl. No.: **29/126,829**

(22) Filed: **Jul. 26, 2000**

(30) **Foreign Application Priority Data**

Feb. 3, 2000 (JP) 12-005168

(51) **LOC (7) Cl.** **09-03**

(52) **U.S. Cl.** **D9/346; D9/433**

(58) **Field of Search** D9/341-346, 415, D9/430, 432, 433; 206/45.2, 45.29, 45.3

(56) **References Cited**

U.S. PATENT DOCUMENTS

- D. 255,993 * 7/1980 Lambert D9/433
- D. 317,070 * 5/1991 Ott et al. D9/346
- D. 366,210 * 1/1996 McConner D9/432
- 1,799,656 * 4/1931 Tinsley 206/45.3

- 2,024,702 * 12/1935 Powell 206/45.29
- 2,322,849 * 6/1943 Horr 206/45.29
- 2,457,291 * 12/1948 Wenzel 206/45.29
- 3,250,455 * 5/1966 Plunkett D9/432

* cited by examiner

Primary Examiner—Raphael Barkai

(74) *Attorney, Agent, or Firm*—Fitzpatrick, Cella, Harper & Scinto

(57) **CLAIM**

The ornamental design for a display carton, as shown and described.

DESCRIPTION

FIG. 1 is a front view of a display carton showing our new design;

FIG. 2 is a rear view thereof;

FIG. 3 is a top plan view thereof;

FIG. 4 is a bottom plan view thereof;

FIG. 5 is a left side view thereof;

FIG. 6 is a right side view thereof; and

FIG. 7 is a perspective view as viewed from right and front thereof; and,

FIG. 8 is a perspective view thereof in an alternate position.

1 Claim, 3 Drawing Sheets

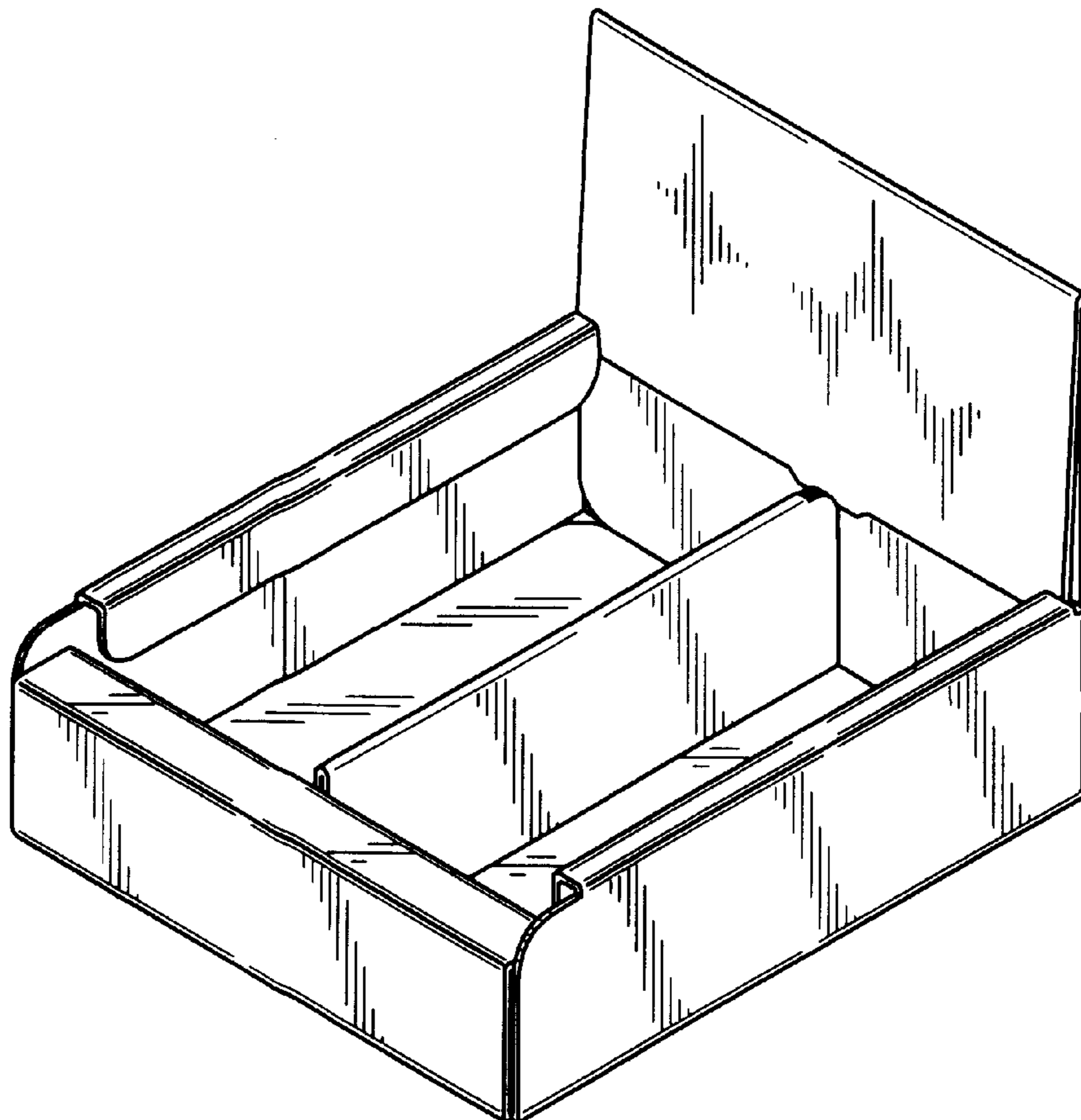


FIG. 1



FIG. 2



FIG. 3

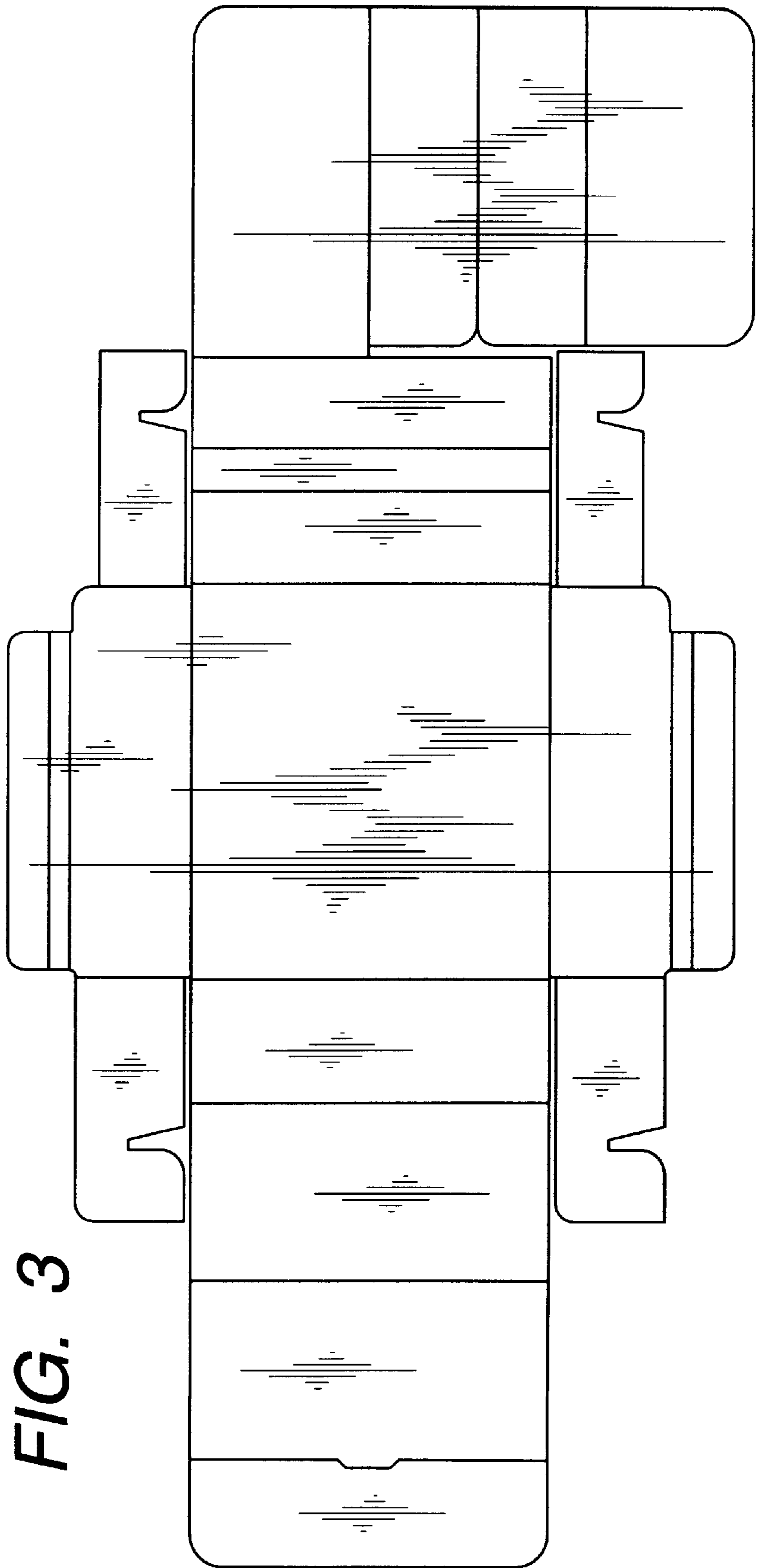


FIG. 4

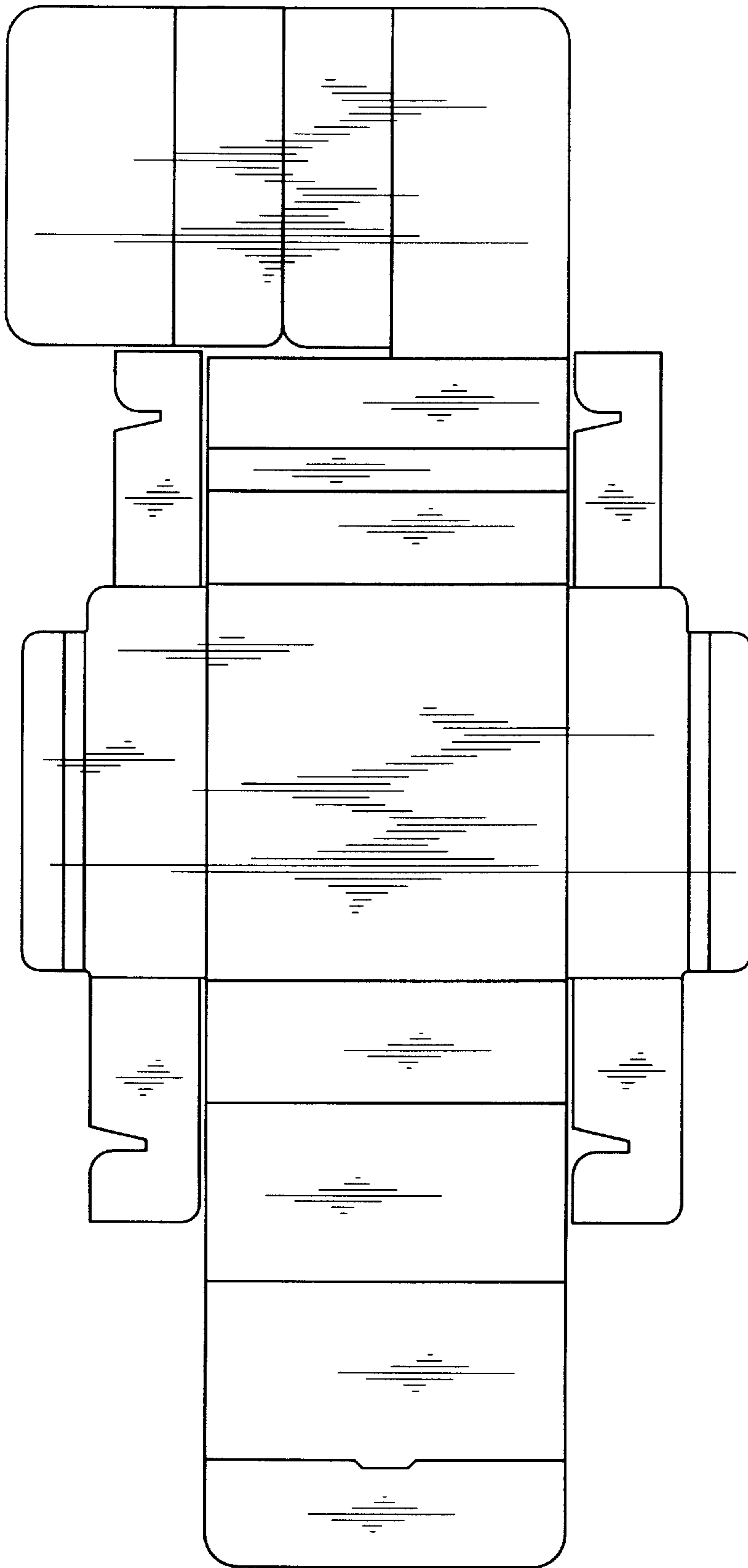


FIG. 5

FIG. 6



FIG. 8

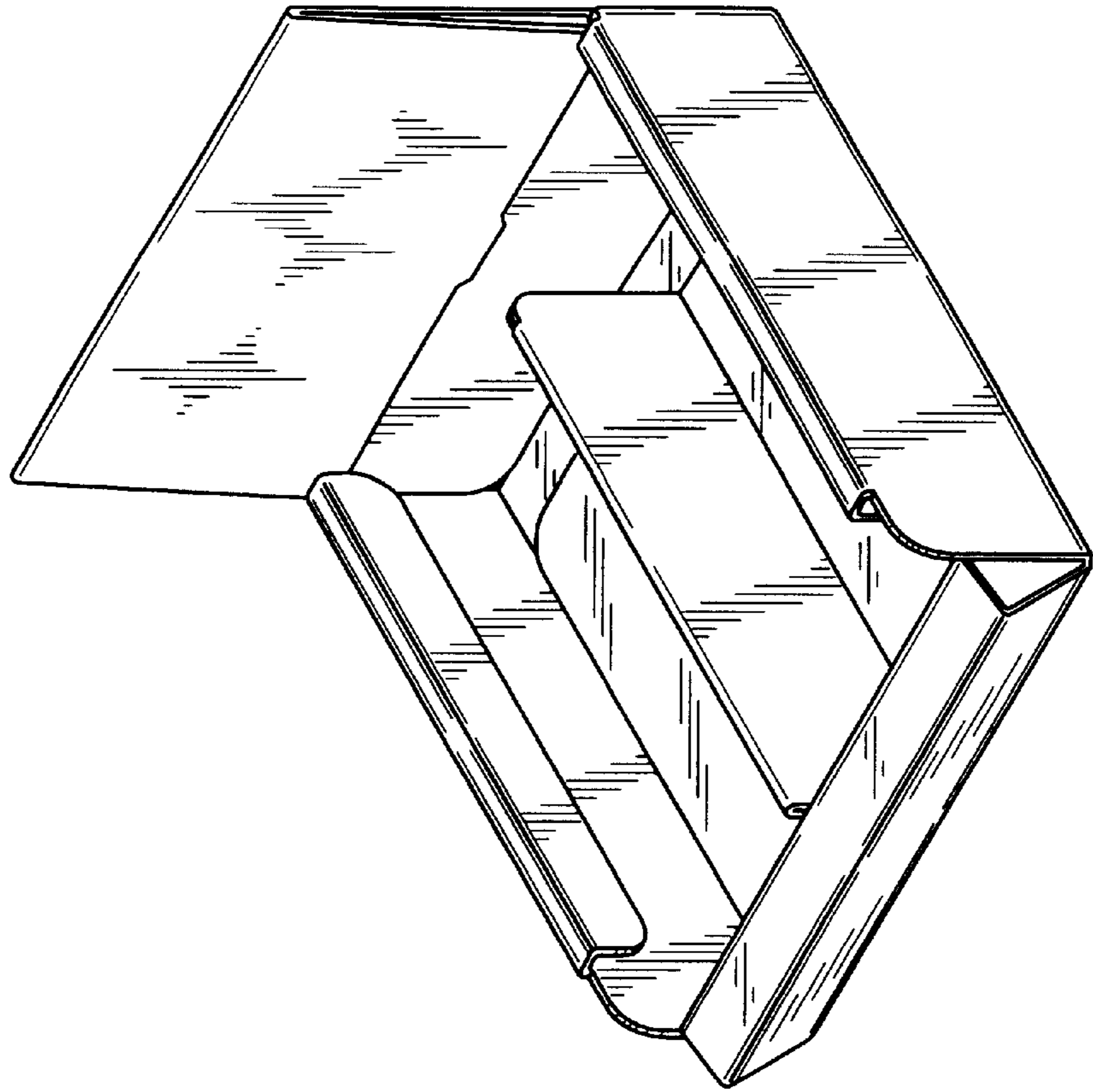
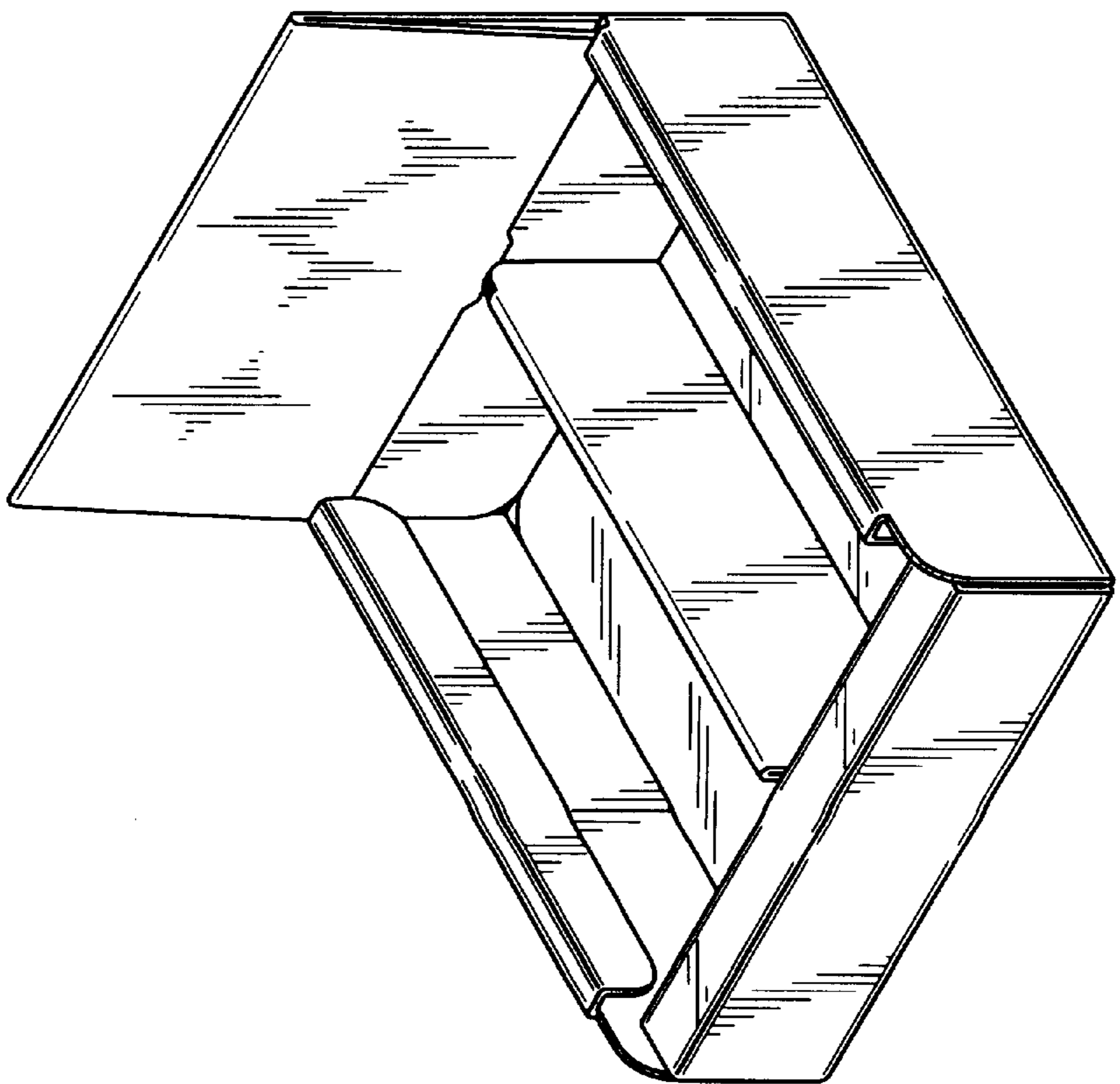


FIG. 7



UNITED STATES PATENT AND TRADEMARK OFFICE
CERTIFICATE OF CORRECTION

PATENT NO. : Des. 439,157 S
DATED : March 20, 2001
INVENTOR(S) : Hideaki Tsuruishi et al.

Page 1 of 1

It is certified that error appears in the above-identified patent and that said Letters Patent is hereby corrected as shown below:

Title page,

Item [30] FOREIGN APPLICATION PRIORITY DATA, "12-005168" should read
-- 2000-005168 --.

Item [57] DESCRIPTION, line 7, "and" should be deleted.

Signed and Sealed this

Twenty-third Day of October, 2001

Attest:

Nicholas P. Godici

Attesting Officer

NICHOLAS P. GODICI
Acting Director of the United States Patent and Trademark Office