



US00D439148S

(12) **United States Design Patent**
Ishii

(10) **Patent No.:** **US D439,148 S**

(45) **Date of Patent:** **** Mar. 20, 2001**

(54) **CORD FASTENER**

(75) Inventor: **Yosuke Ishii, Kawanishi (JP)**

(73) Assignee: **Nifco Inc., Yokohama (JP)**

(**) Term: **14 Years**

(21) Appl. No.: **29/116,662**

(22) Filed: **Jan. 10, 2000**

(30) **Foreign Application Priority Data**

Jul. 16, 1999	(JP)	11-18867
Jul. 16, 1999	(JP)	11-18868

(51) **LOC (7) Cl.** **08-08**

(52) **U.S. Cl.** **D8/383**

(58) **Field of Search** D8/356, 383, 394;
D11/212, 215; D2/978; 24/115 G, 115 M,
136 R, 115 R

(56) **References Cited**

U.S. PATENT DOCUMENTS

D. 417,388	*	12/1999	Kawahara	D8/383
D. 430,484	*	9/2000	Ikeda	D8/383
5,737,808	*	4/1998	Ikeda	24/115 G

* cited by examiner

Primary Examiner—Alan P. Douglas

Assistant Examiner—Reid Hecker

(74) *Attorney, Agent, or Firm*—Kanesaka & Takeuchi

(57) **CLAIM**

The ornamental design for a cord fastener, as shown and described.

DESCRIPTION

FIG. 1 is a perspective view of a cord fastener showing my new design;

FIG. 2 is a front view thereof, the rear view being identical to the front view;

FIG. 3 is a right side view thereof, the left side view being identical to the right side view;

FIG. 4 is a top plan view thereof, the bottom plan view being identical to the top plan view;

FIG. 5 is a cross sectional view taken along line 5—5 in FIG. 2;

FIG. 6 is a cross sectional view taken along line 6—6 in FIG. 2;

FIG. 7 is a cross sectional view taken along line 7—7 in FIG. 3;

FIG. 8 is a front view of the cord fastener in a condition that a male member thereof is elastically pressed into a female member thereof to align holes respectively provided in the male member and the female member;

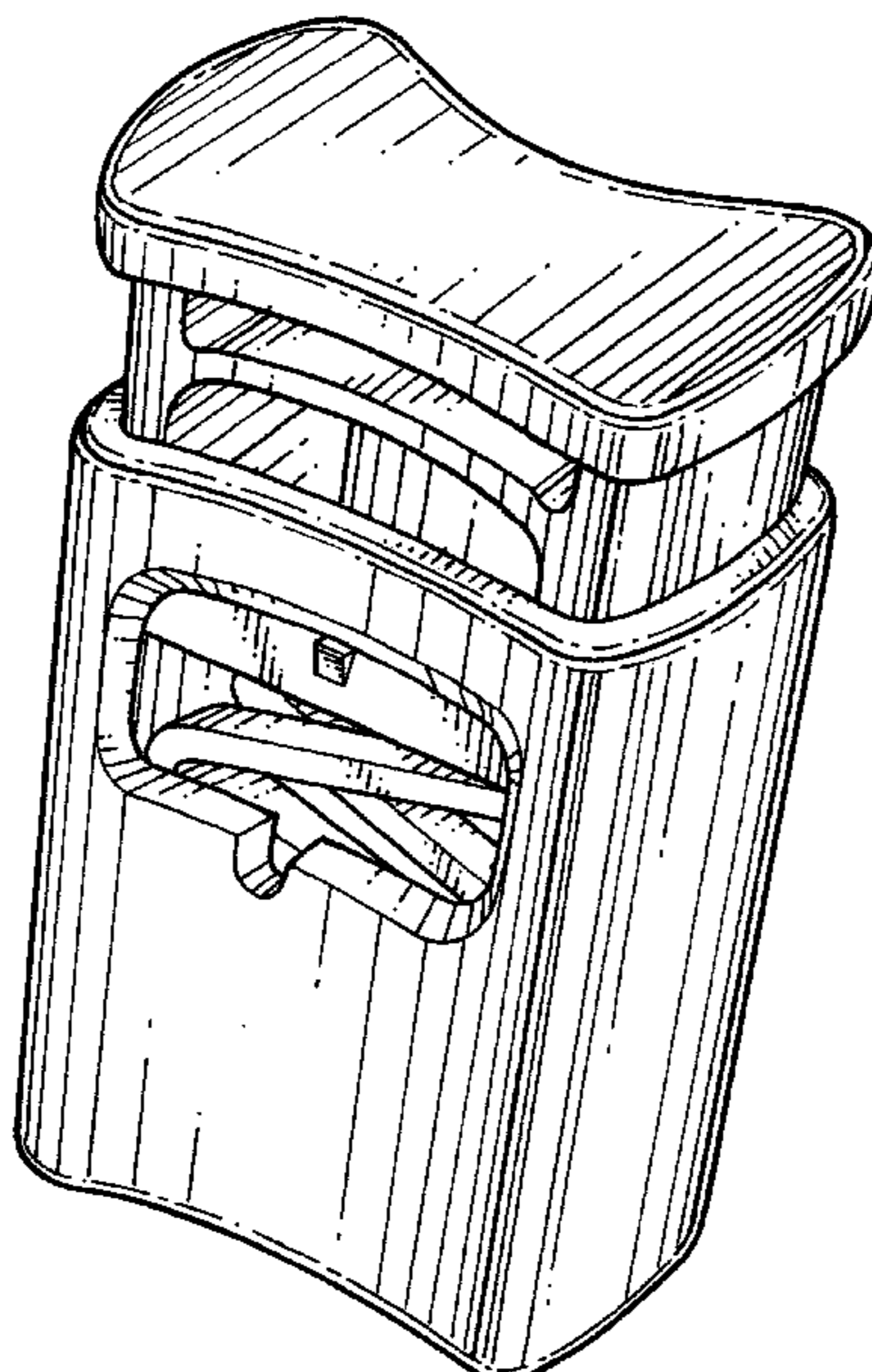
FIG. 9 is a front view of another embodiment of the cord fastener in FIGS. 1—8;

FIG. 10 is a right side view of FIG. 9, the left side view being identical to the right side view;

FIG. 11 is a cross sectional view taken along line 11—11 in FIG. 9; and,

FIG. 12 is a cross sectional view taken along line 12—12 in FIG. 10.

1 Claim, 4 Drawing Sheets



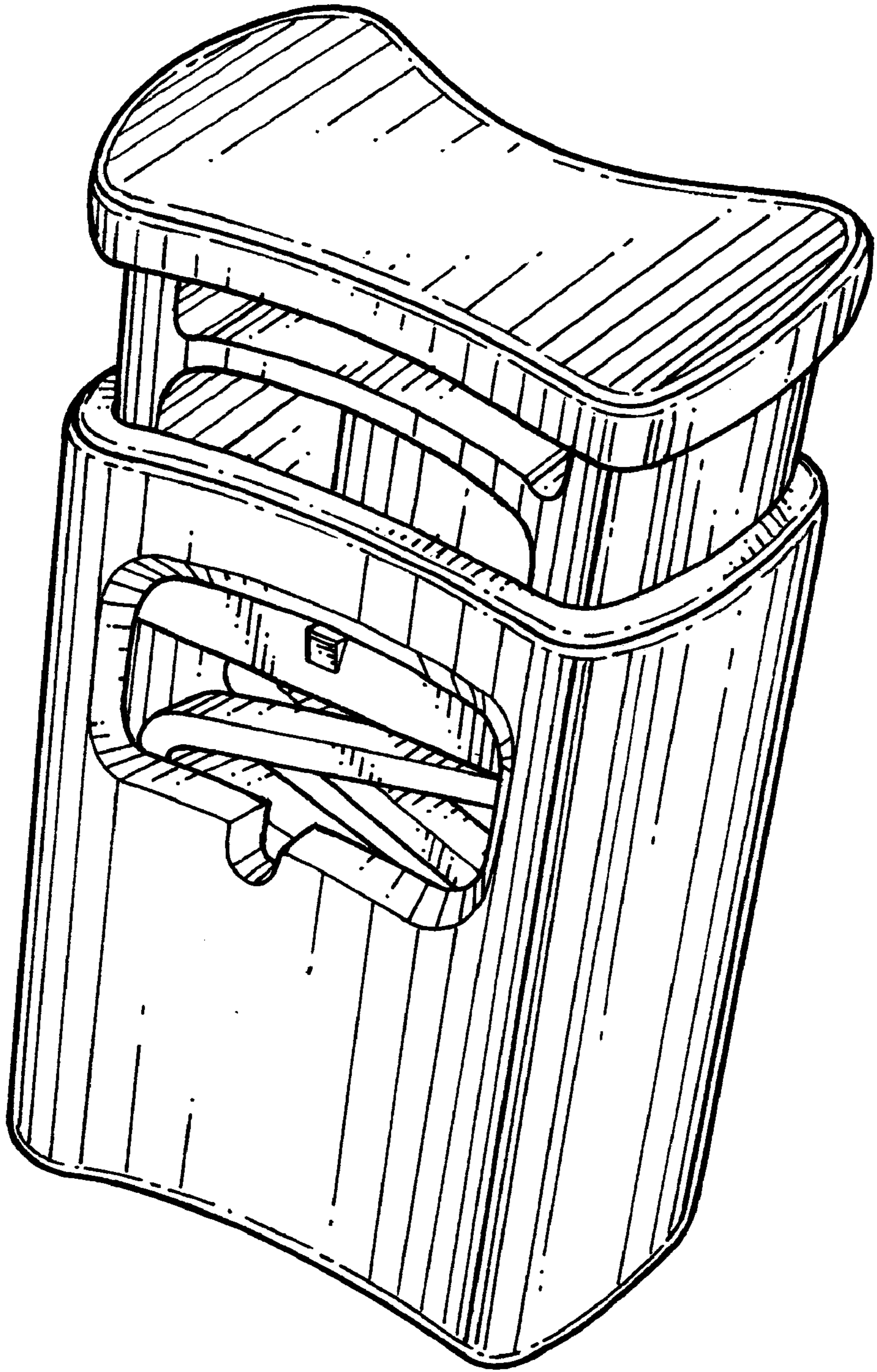


FIG. 1

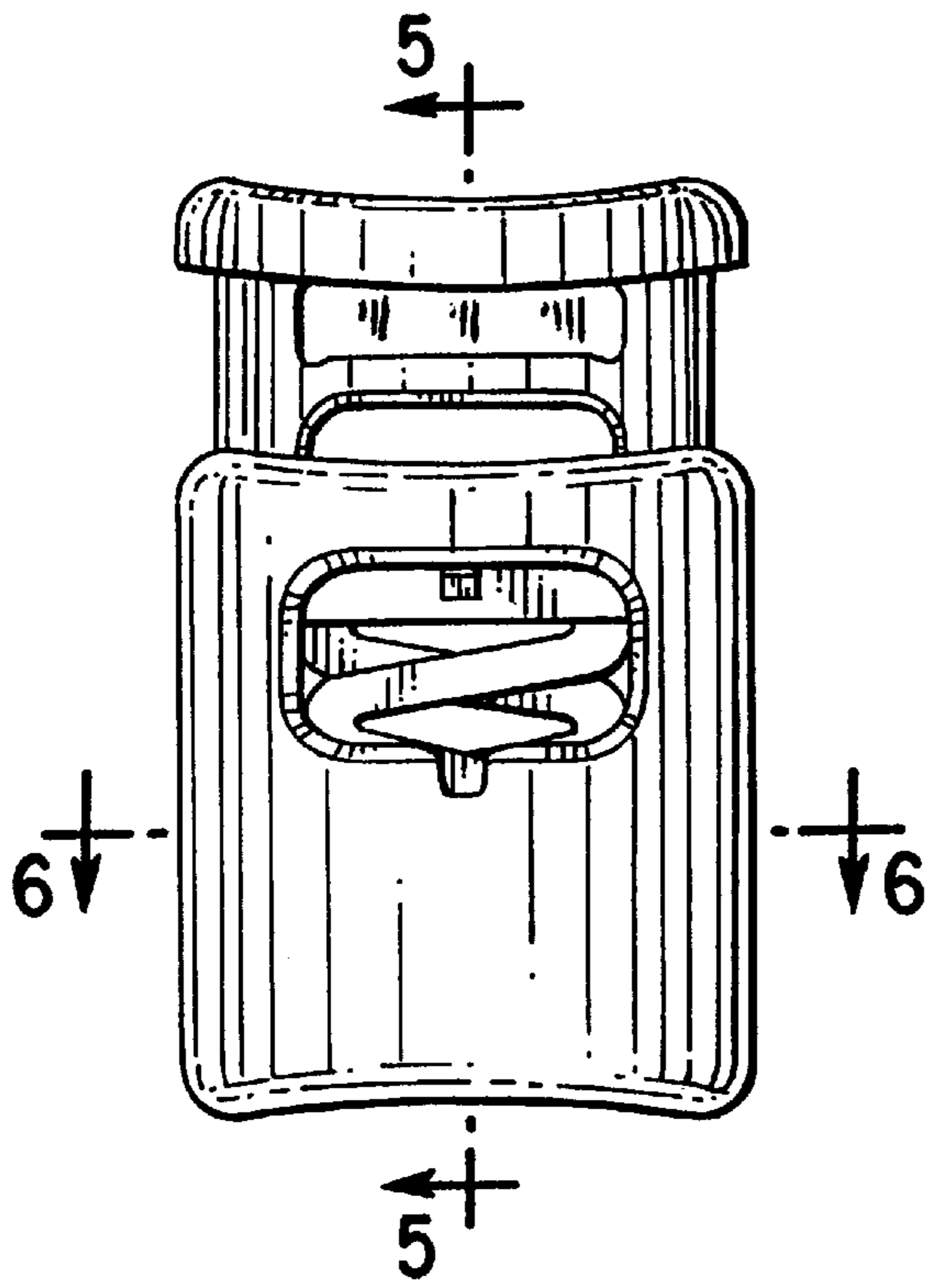


FIG. 2

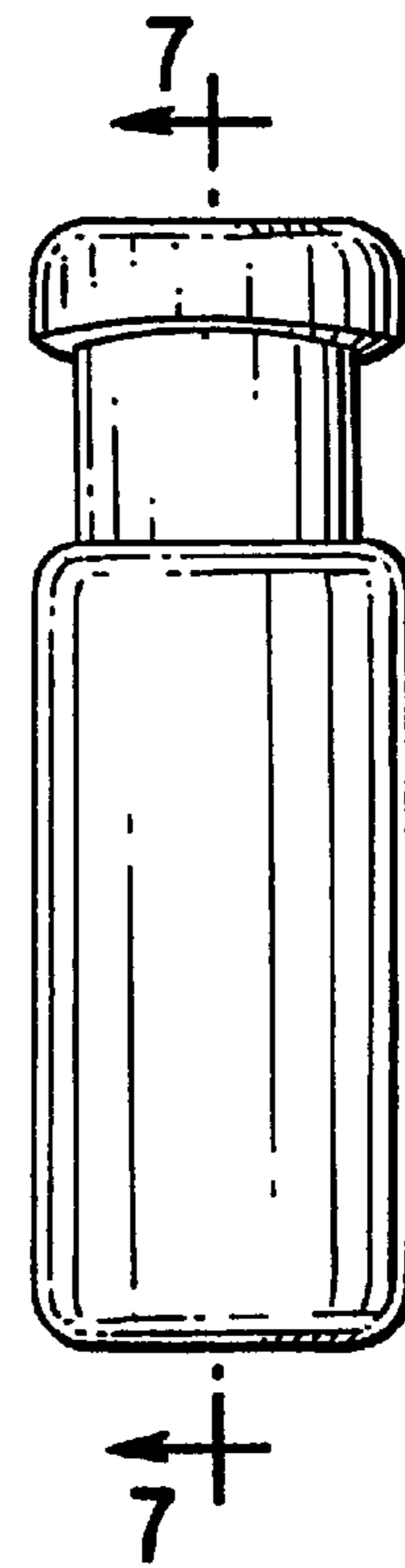


FIG. 3

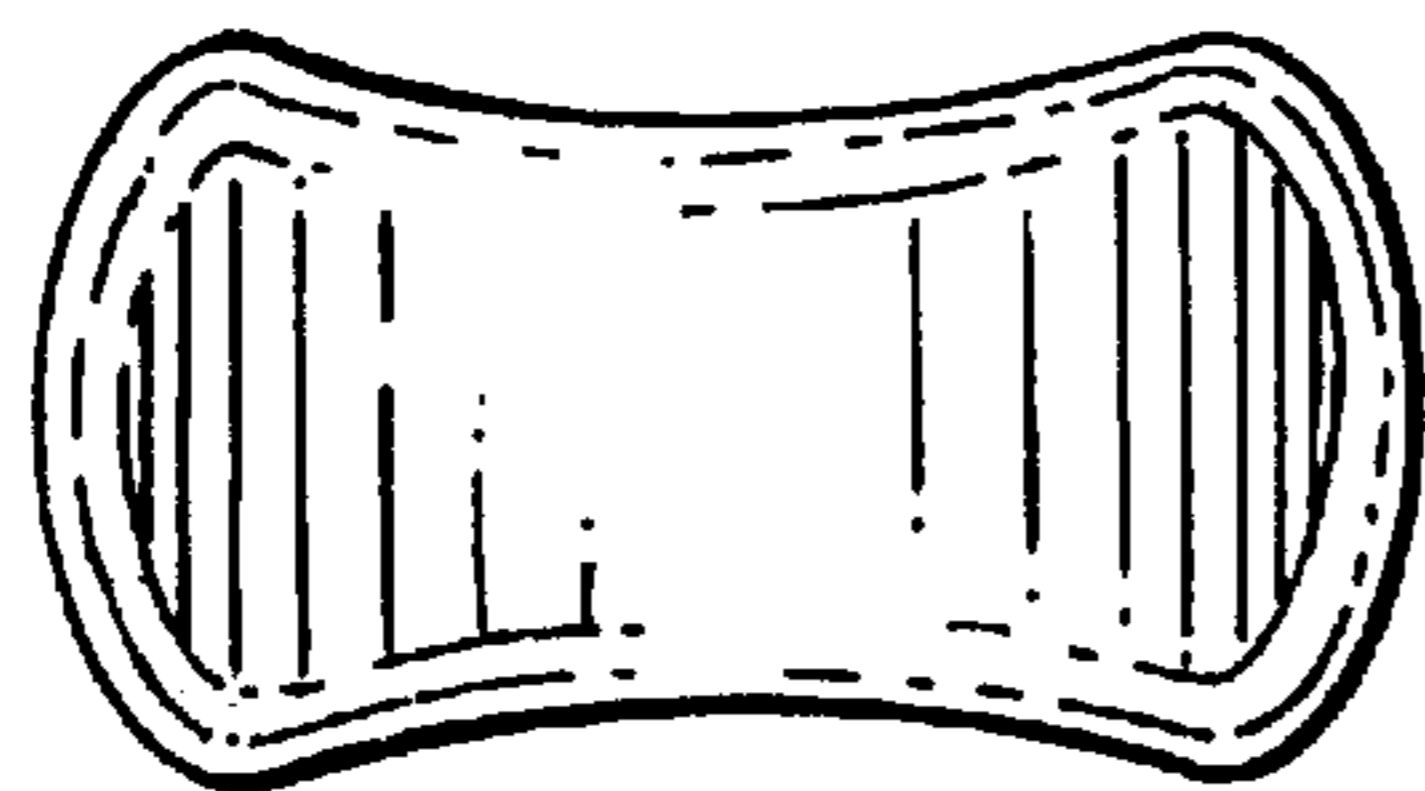


FIG. 4

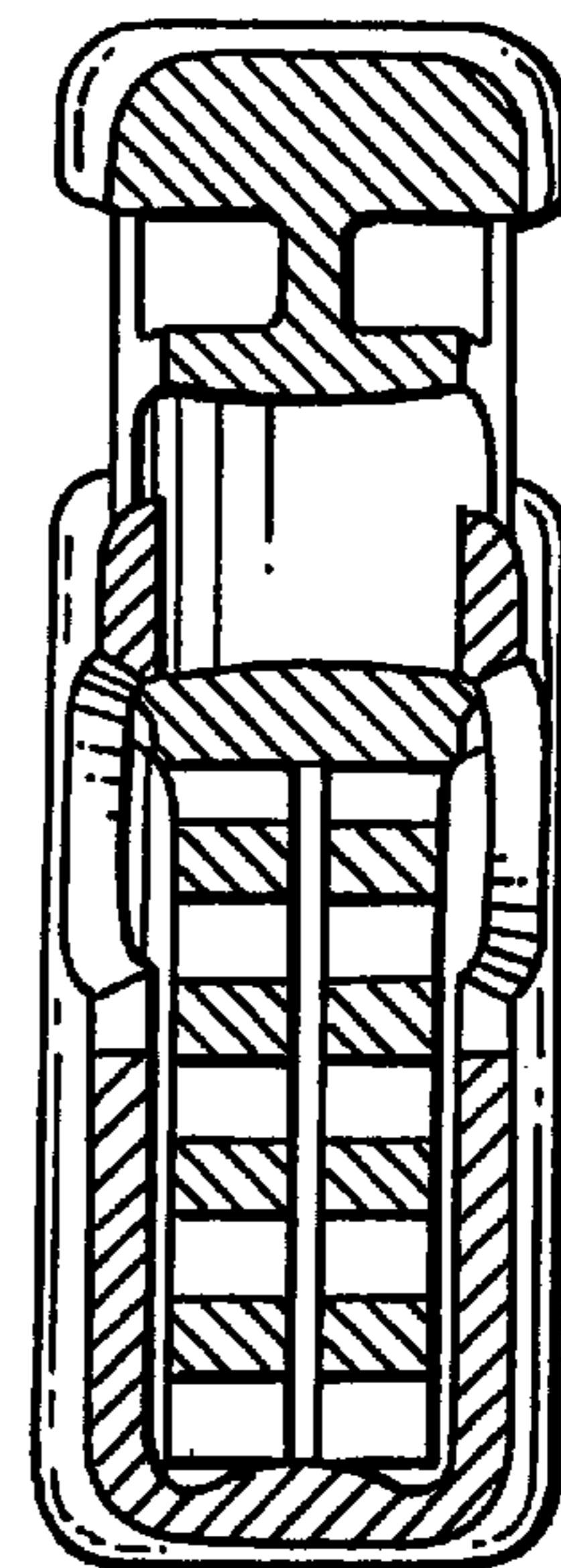


FIG. 5

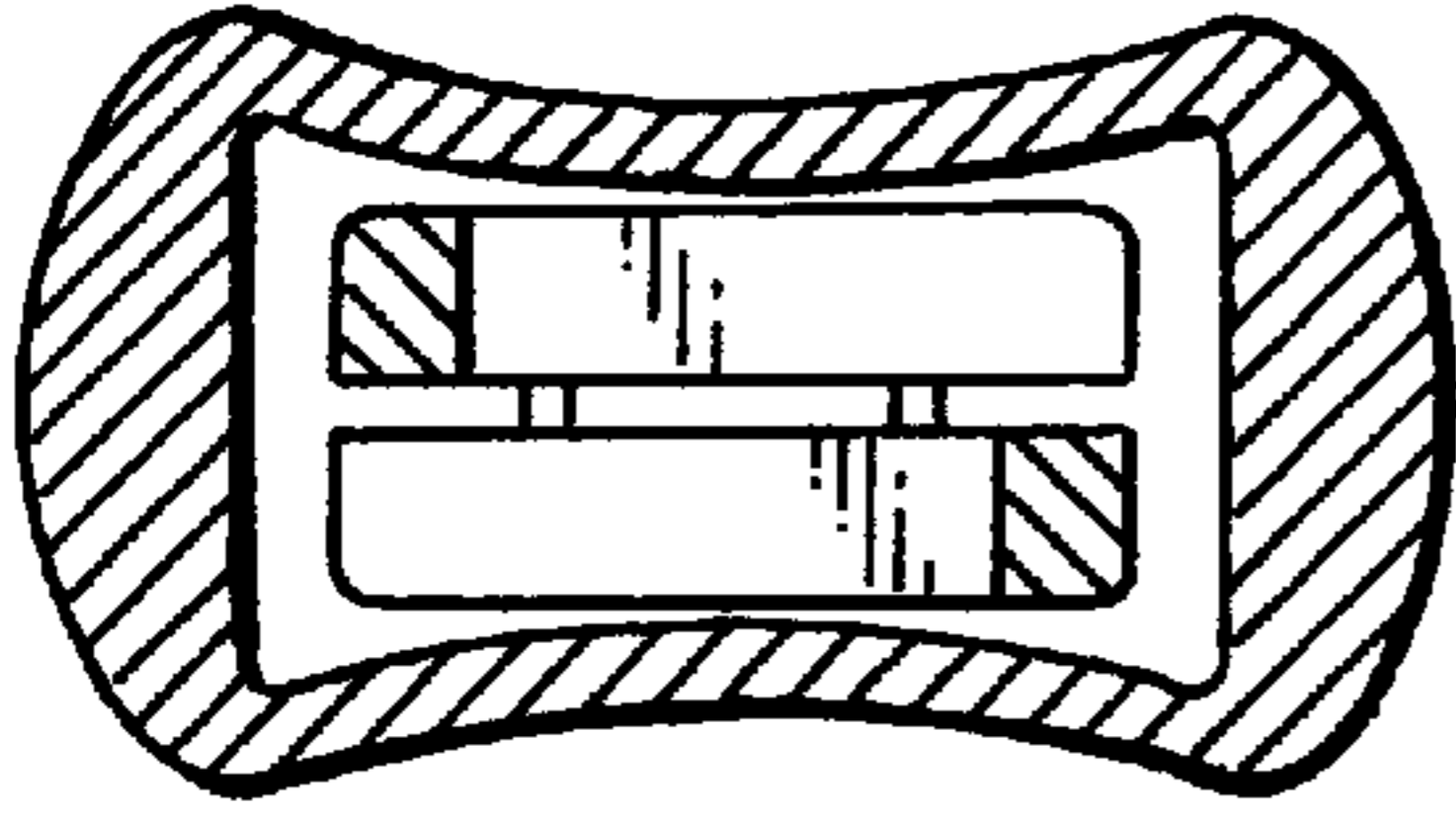


FIG. 6

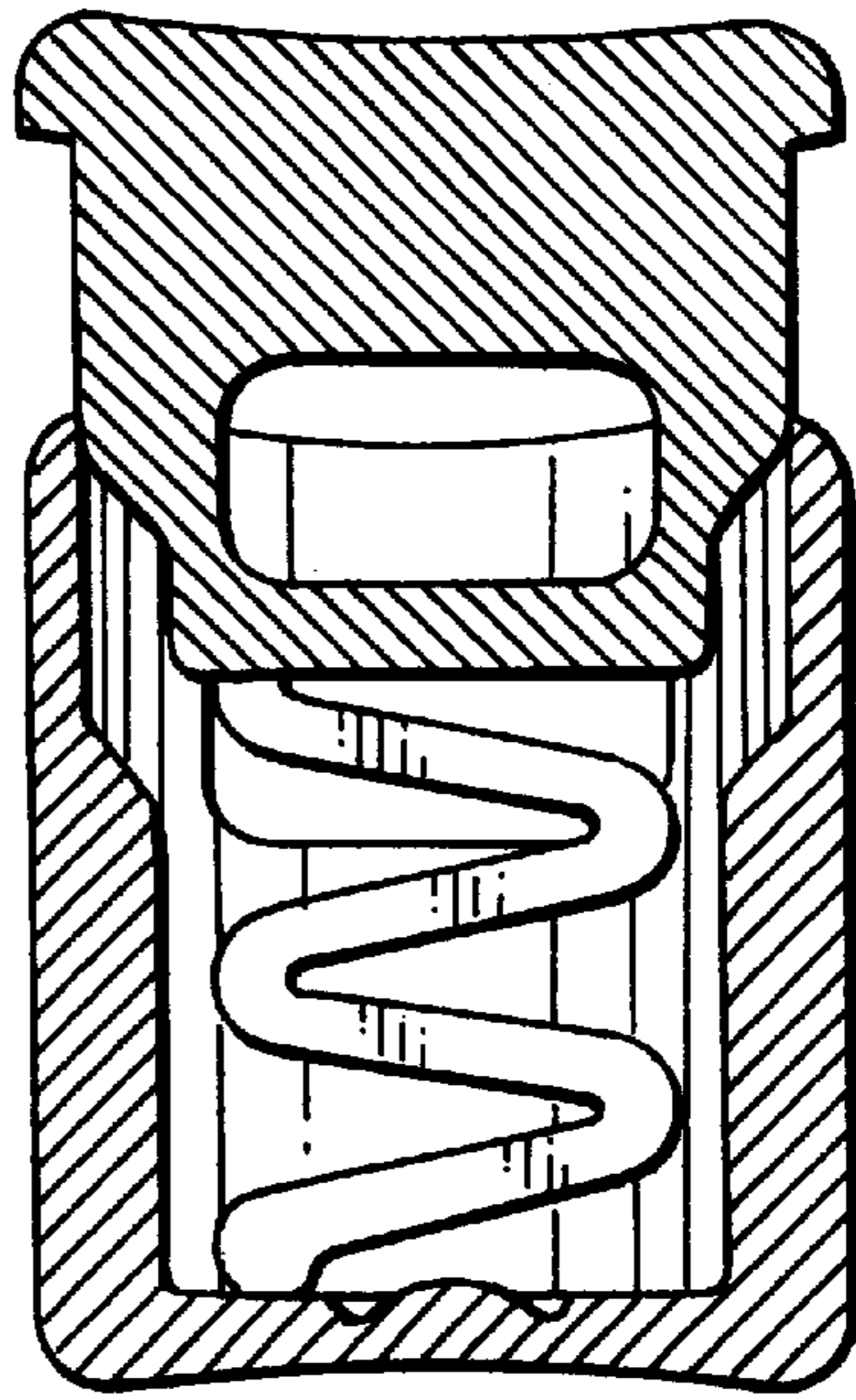


FIG. 7

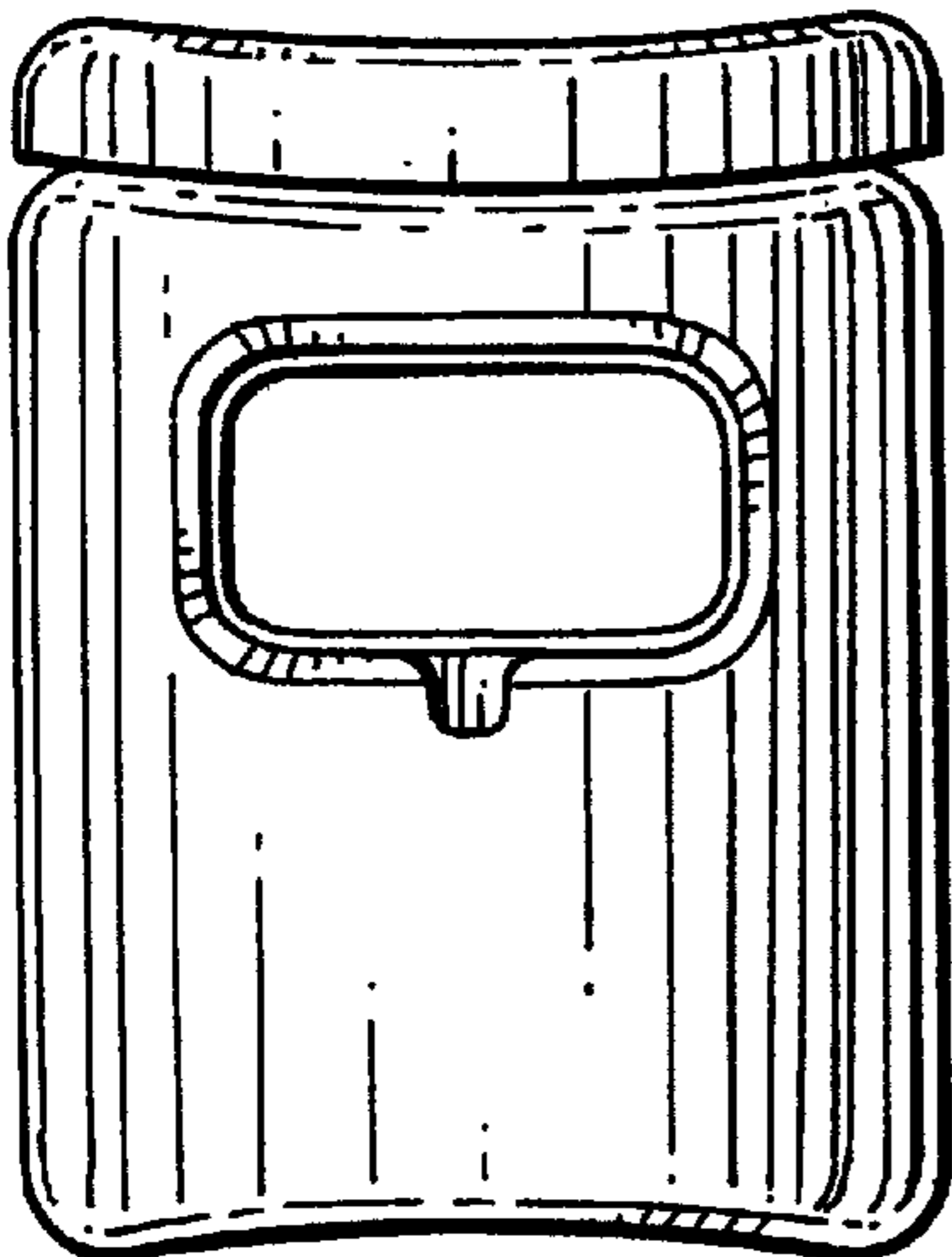


FIG. 8

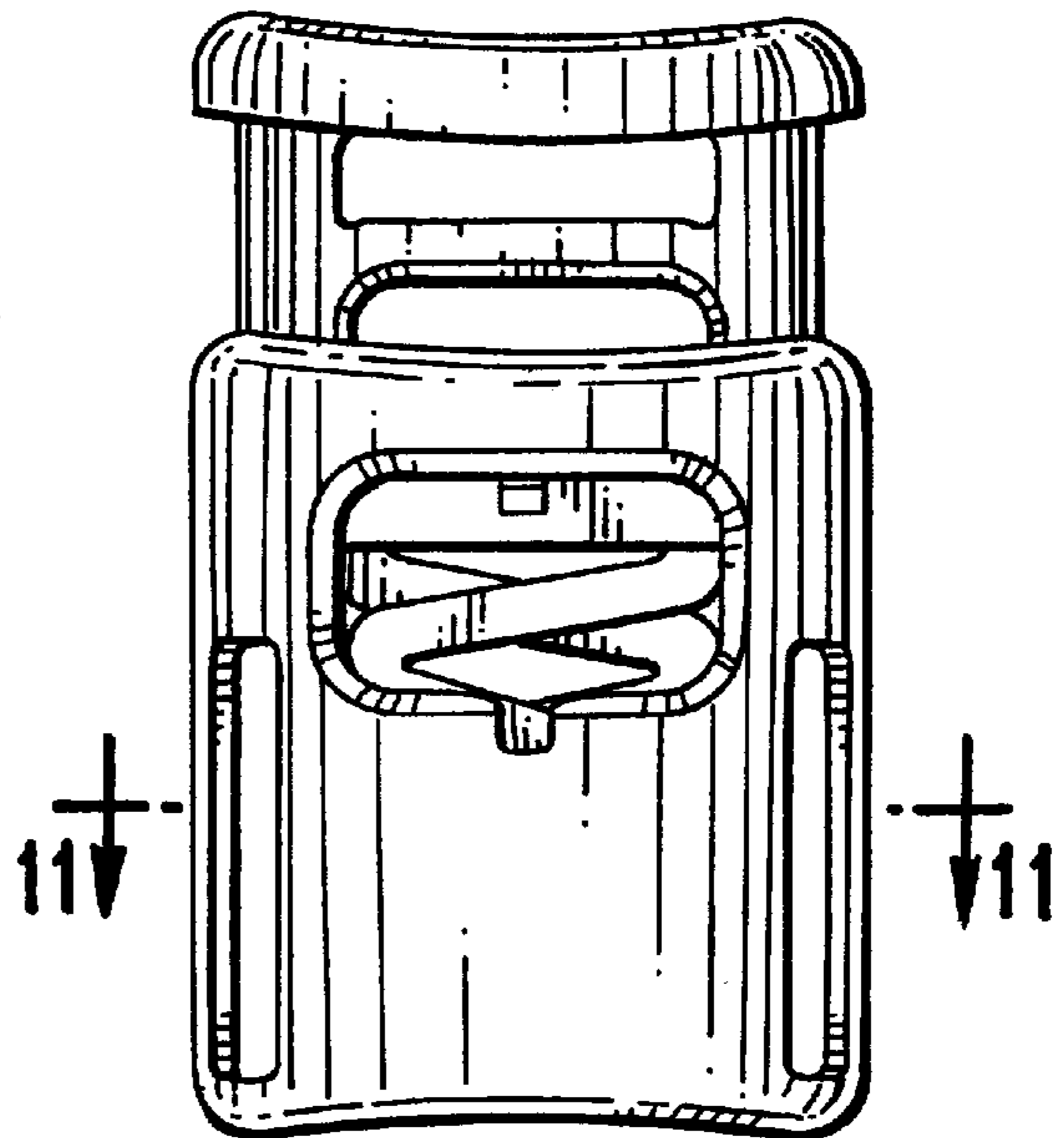


FIG. 9

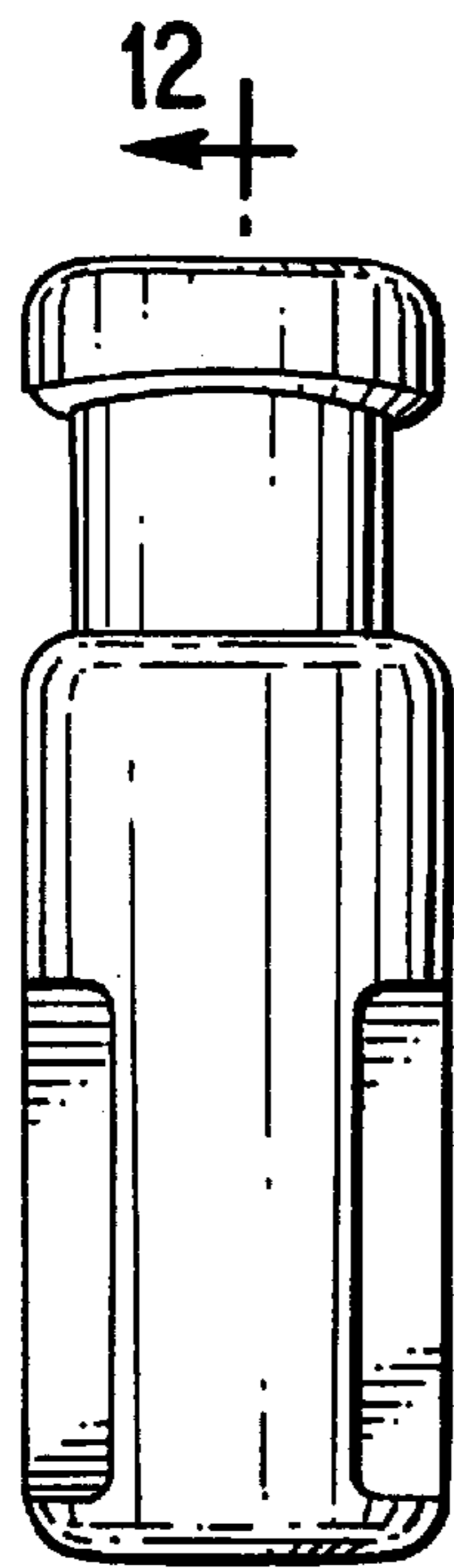


FIG. 10

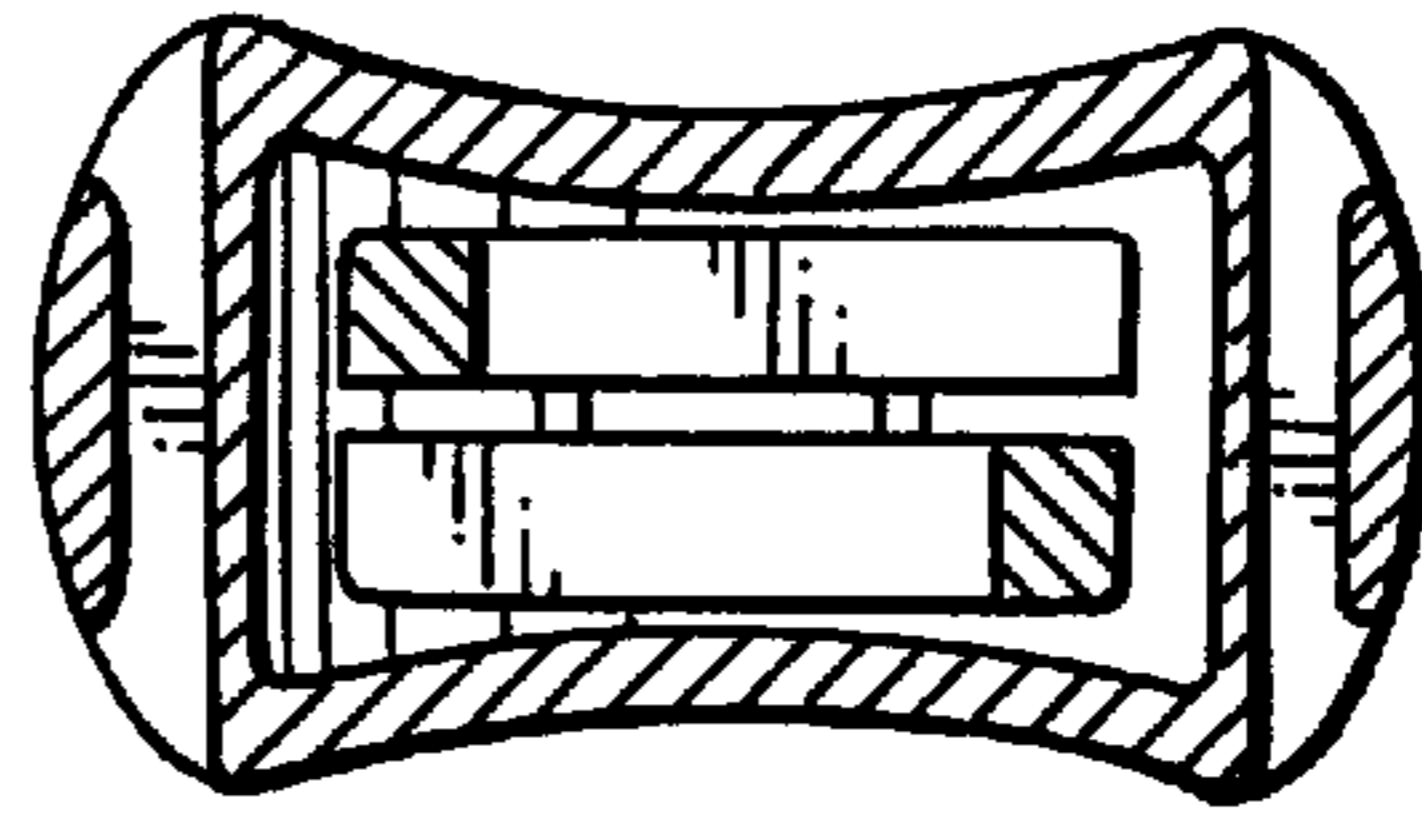


FIG. 11

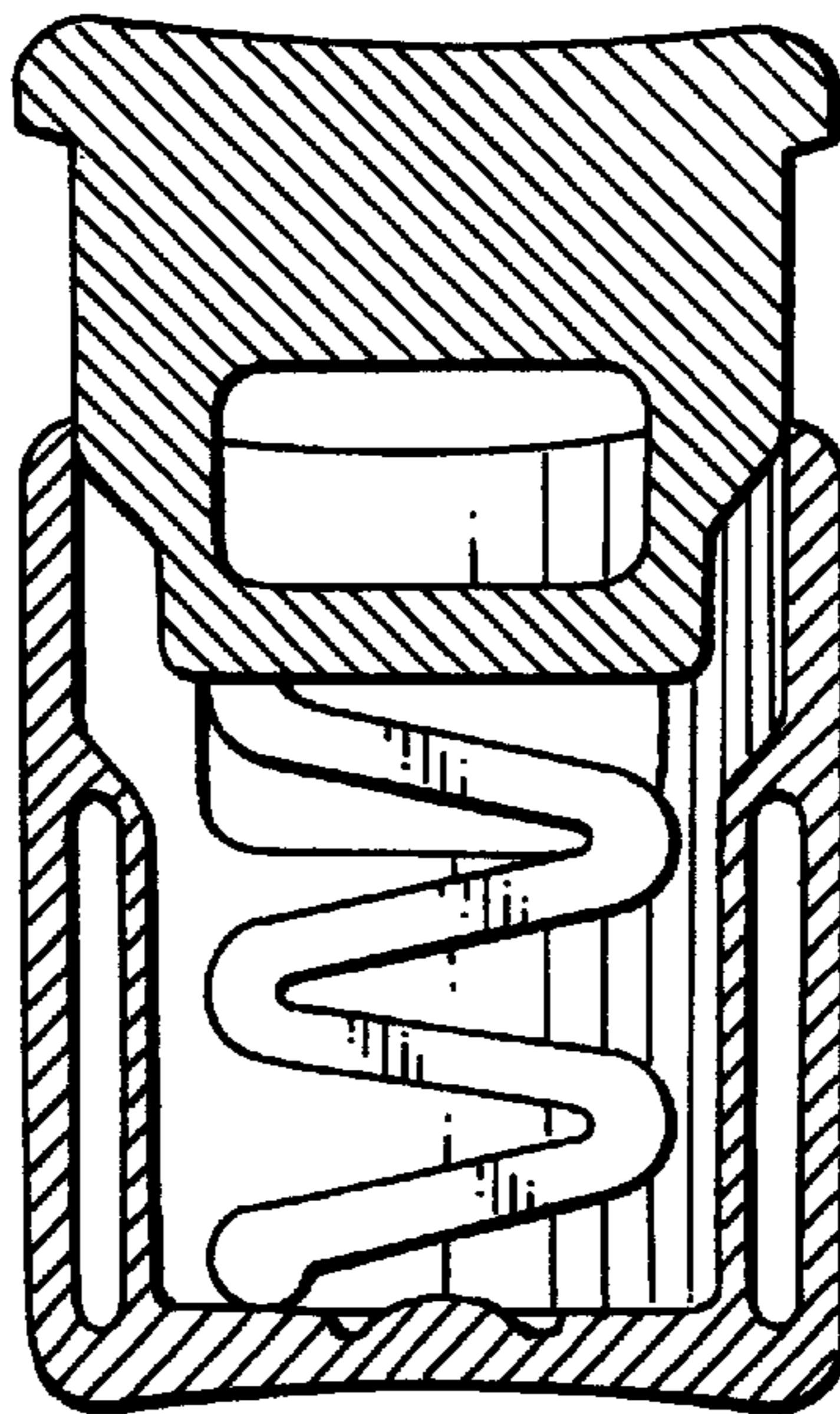


FIG. 12