



US00D439146S

(12) **United States Design Patent**  
**Wang**

(10) **Patent No.:** **US D439,146 S**

(45) **Date of Patent:** **\*\* Mar. 20, 2001**

(54) **WHEEL DEVICE**

(76) Inventor: **Tung Lung Wang**, No. 240, San Min Road, Da Gia Town, Taichung Hsien (TW), 437

(\*\*) Term: **14 Years**

(21) Appl. No.: **29/114,326**

(22) Filed: **Nov. 23, 1999**

(51) **LOC (7) Cl.** ..... **08-05**

(52) **U.S. Cl.** ..... **D8/375**

(58) **Field of Search** ..... D8/375; 16/34, 16/18 R, 18 CG; 190/18 A

(56) **References Cited**

**U.S. PATENT DOCUMENTS**

- D. 370,405 \* 6/1996 Wu ..... D8/375
- D. 374,816 \* 10/1996 Tsai ..... D8/375
- D. 392,876 \* 3/1998 Wang ..... D8/375

\* cited by examiner

*Primary Examiner*—Holly Baynham

(74) *Attorney, Agent, or Firm*—Charles E. Baxley

(57) **CLAIM**

The ornamental design for a wheel device, as shown and described.

**DESCRIPTION**

FIG. 1 is a perspective view of a wheel device showing my new design;

FIG. 2 is a front elevational view thereof;

FIG. 3 is a rear elevational view thereof;

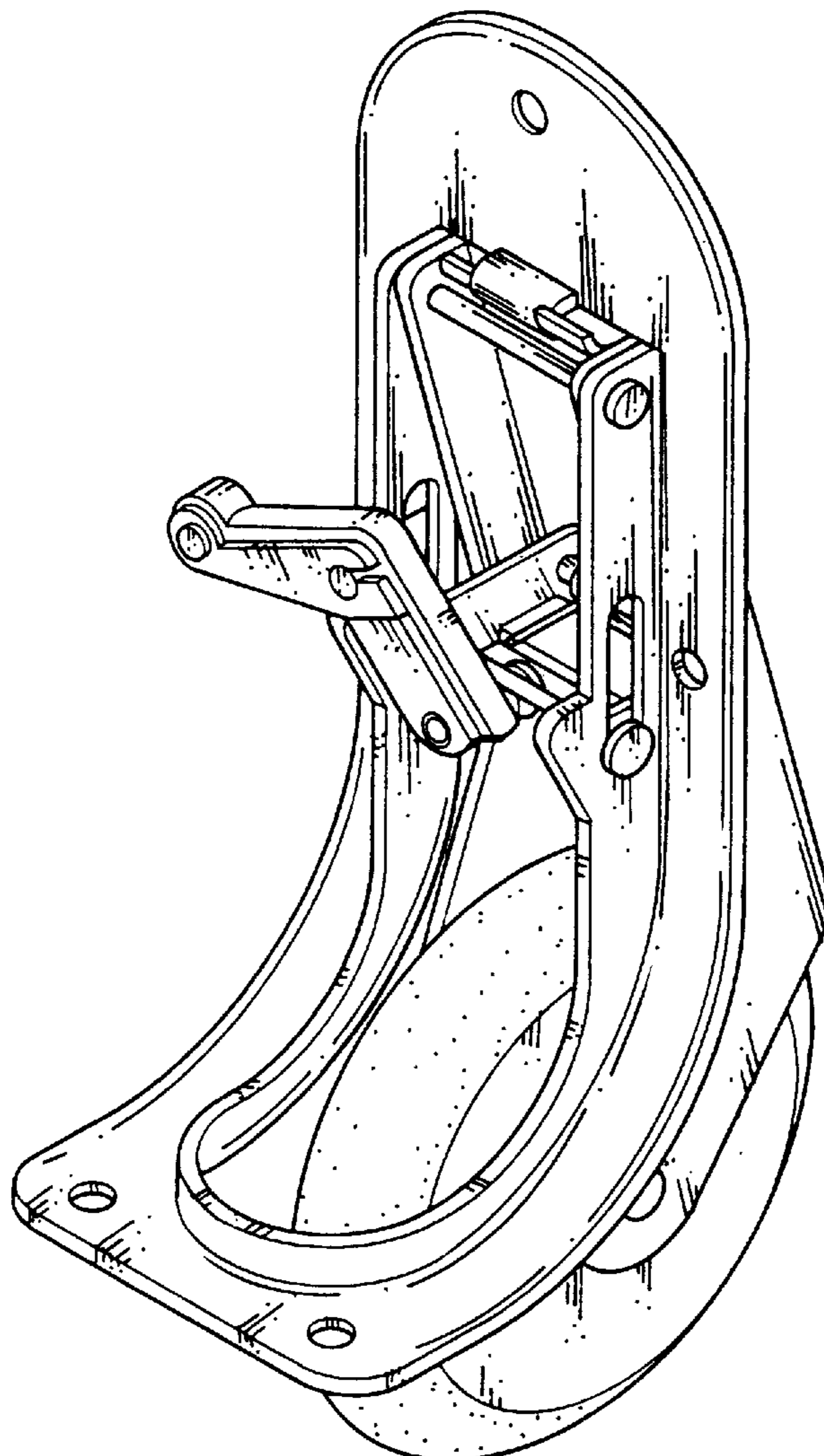
FIG. 4 is a top plan view thereof;

FIG. 5 is a bottom plan view thereof;

FIG. 6 is a left side elevational view thereof; and,

FIG. 7 is a right side elevational view thereof.

**1 Claim, 4 Drawing Sheets**



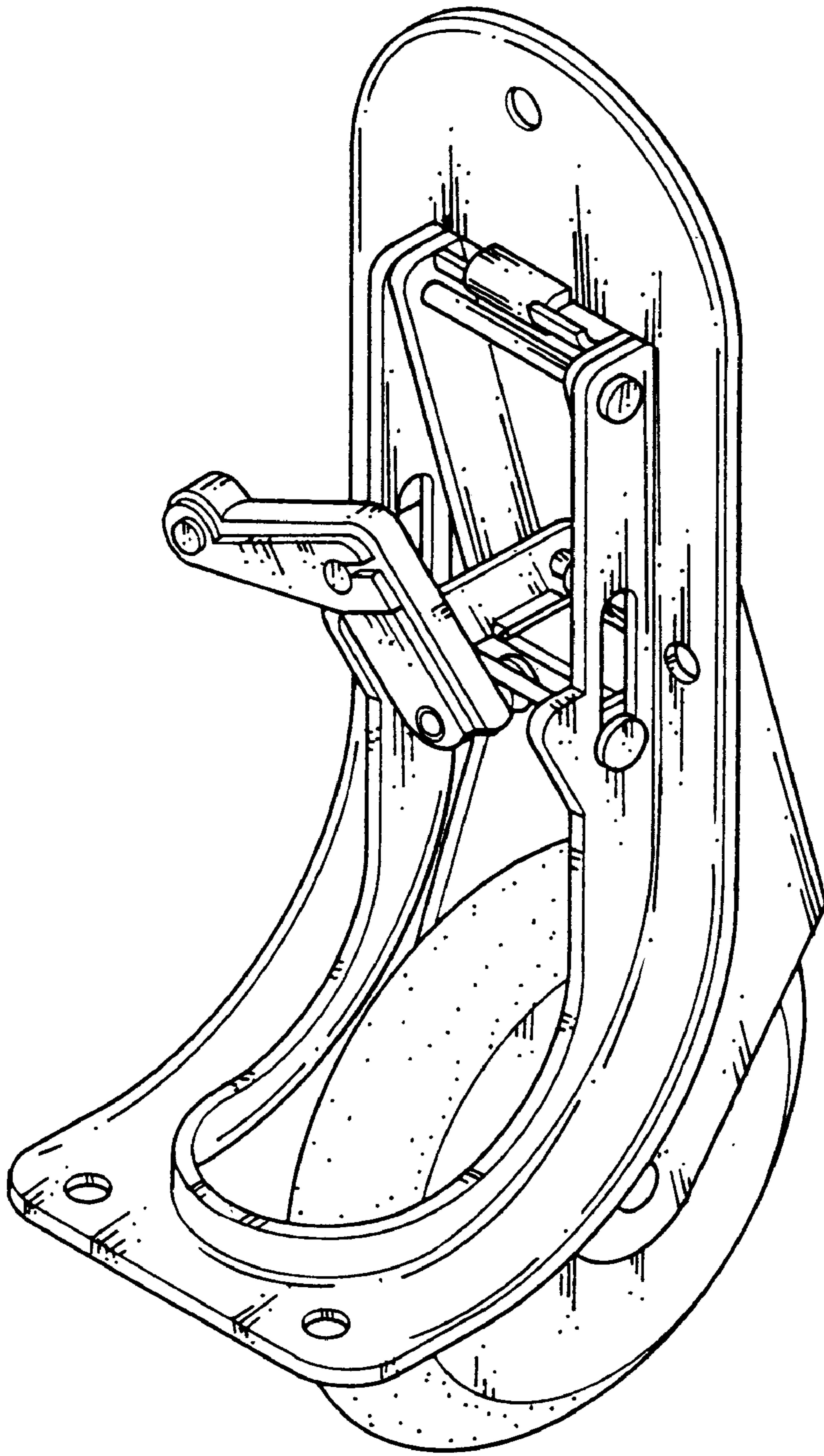


FIG. 1

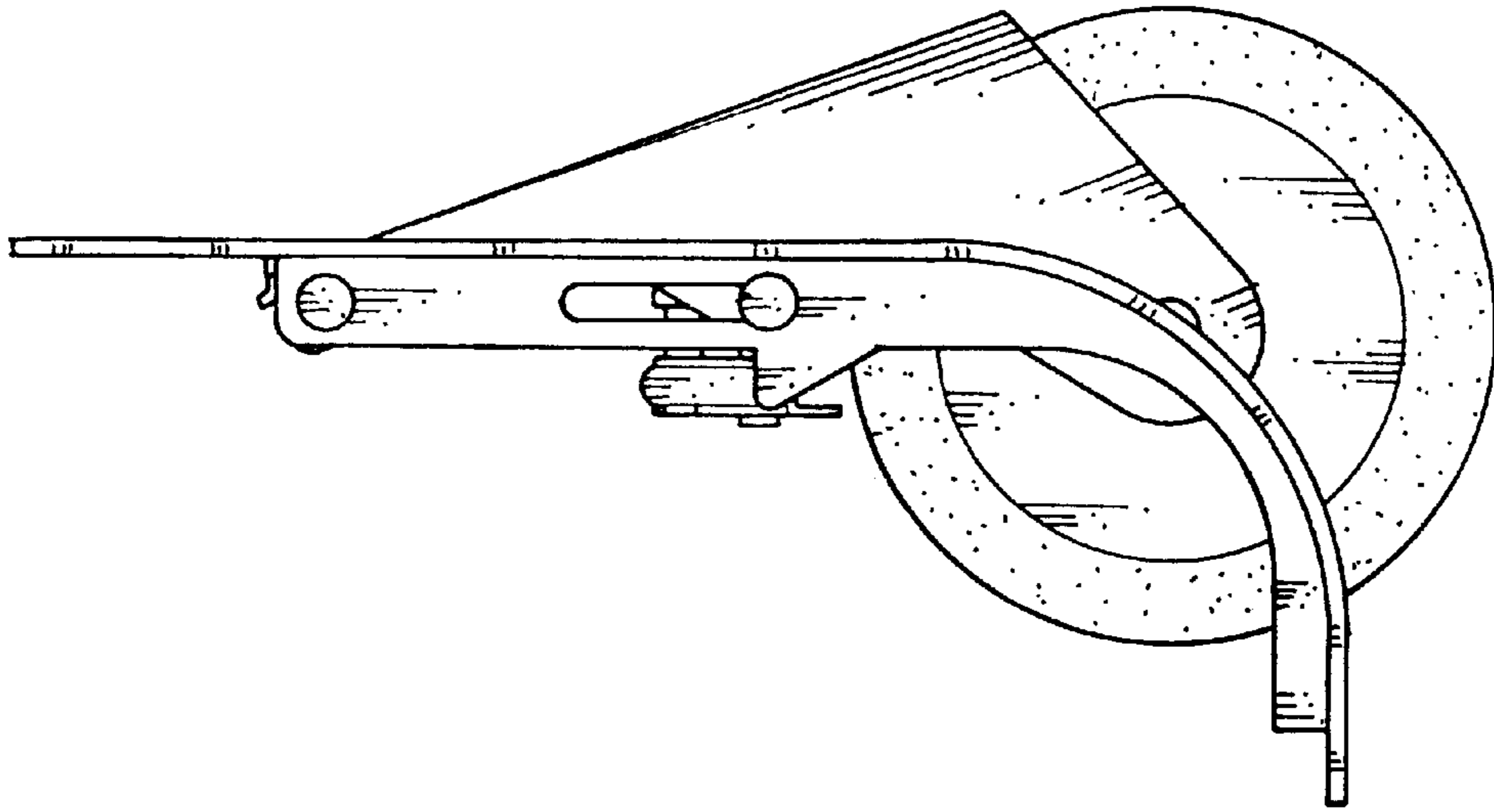


FIG. 7

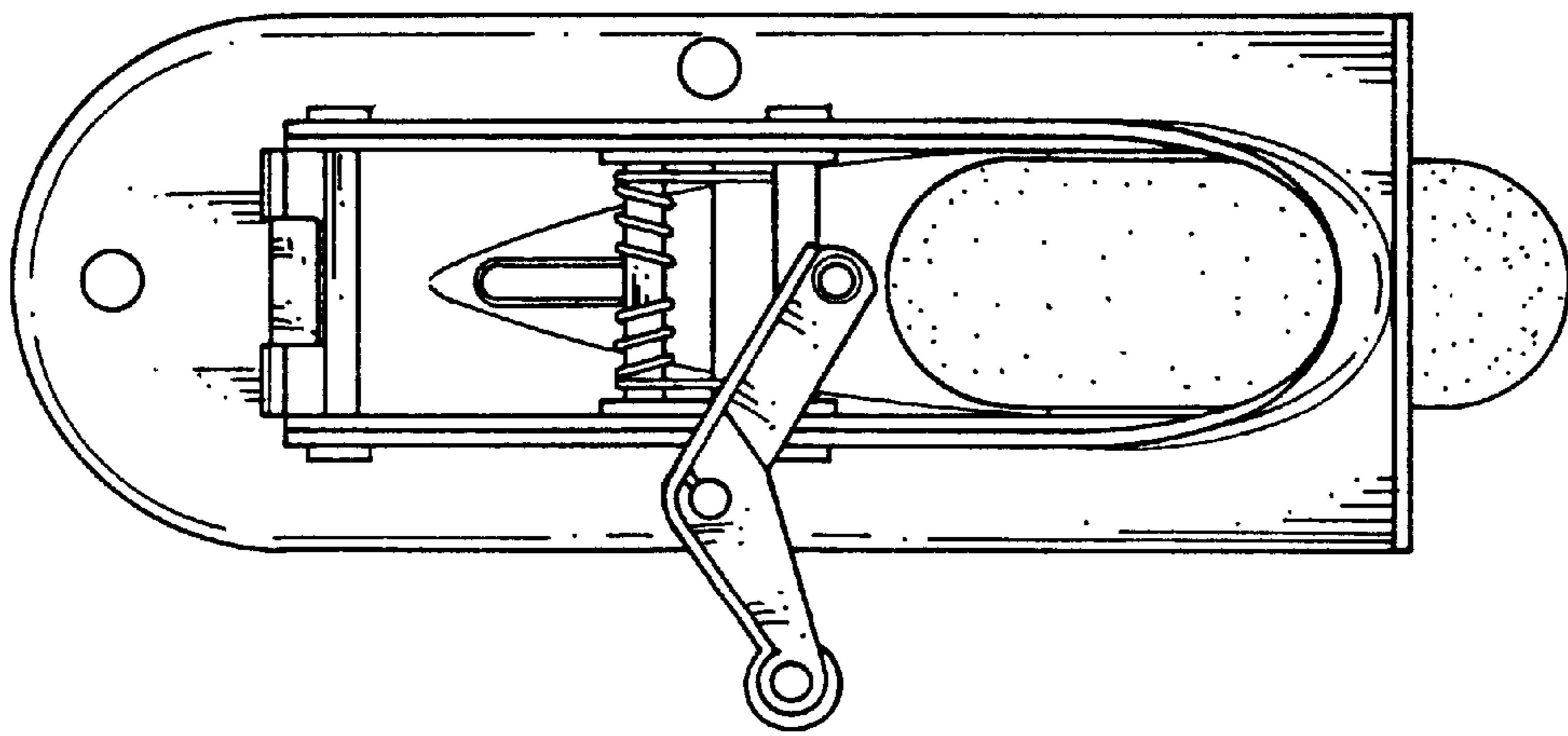


FIG. 2

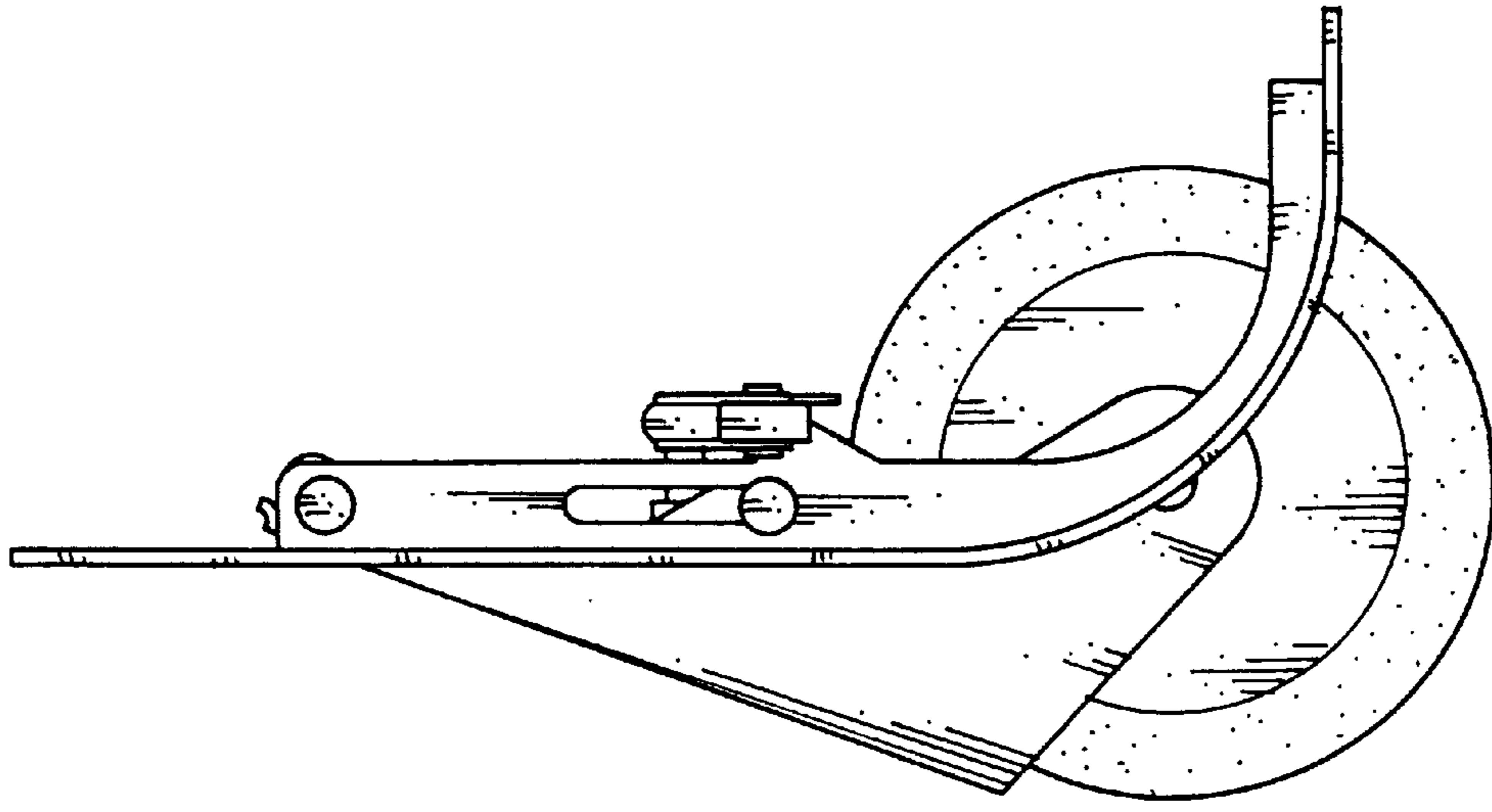


FIG. 6

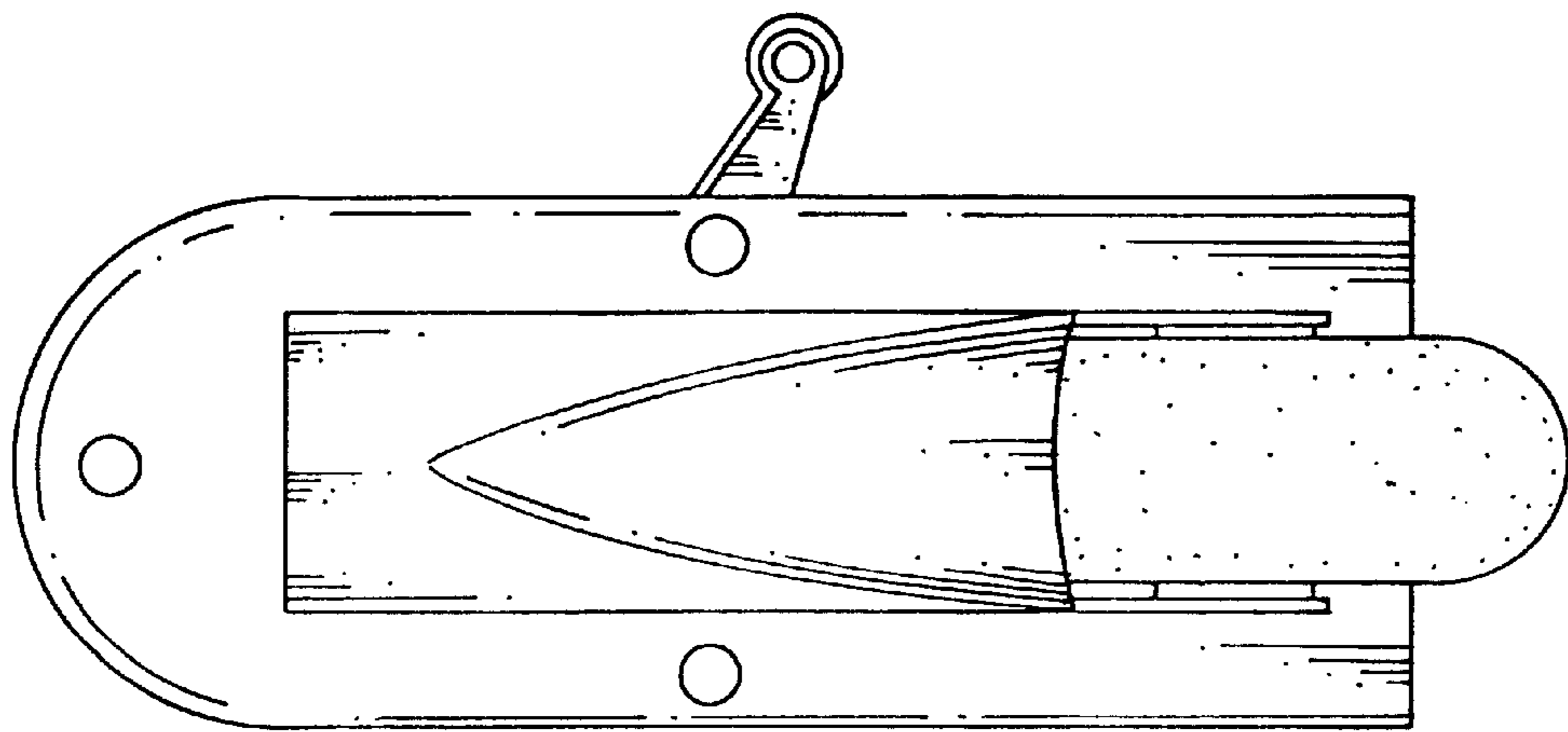


FIG. 3

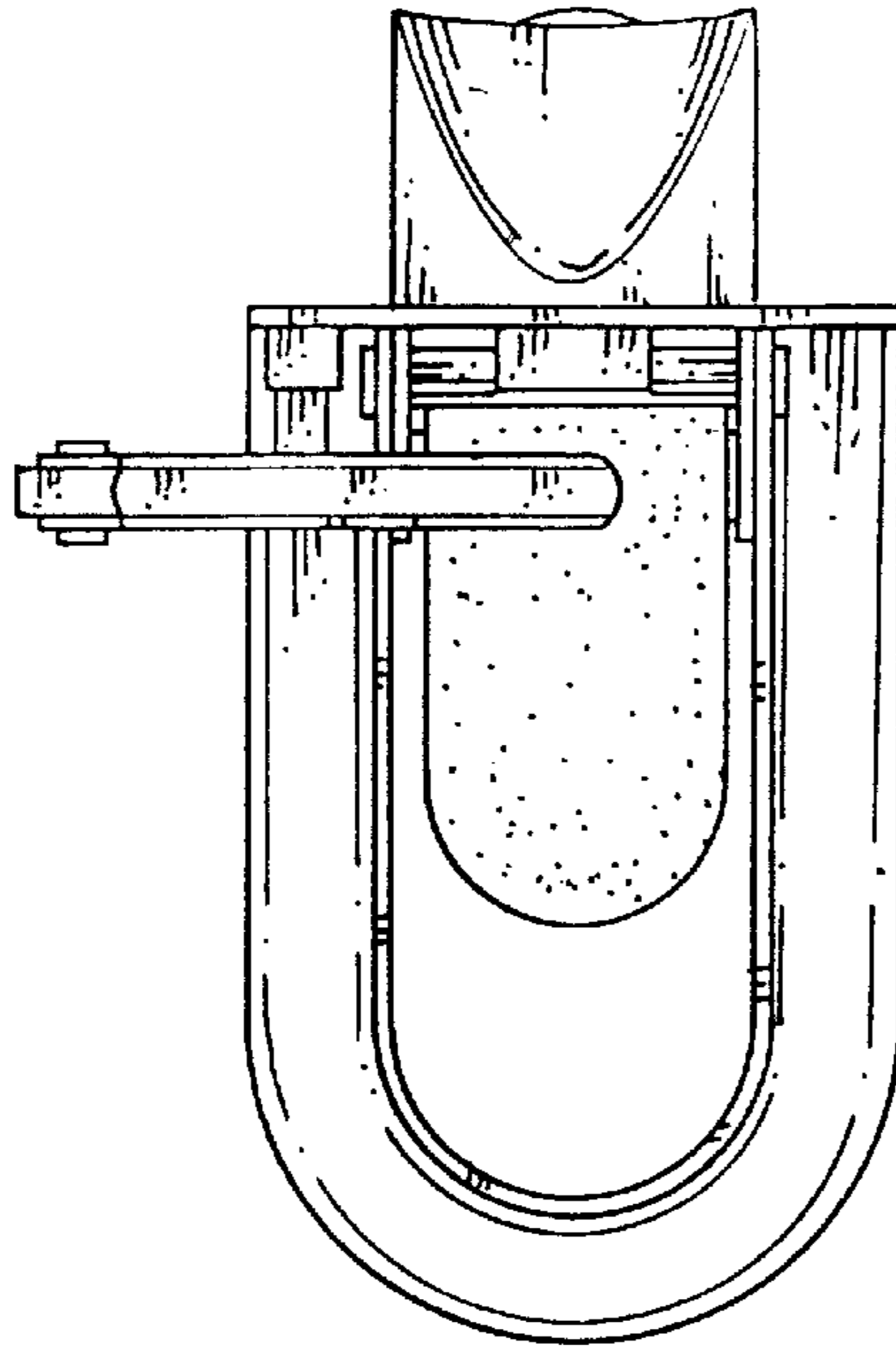


FIG. 4

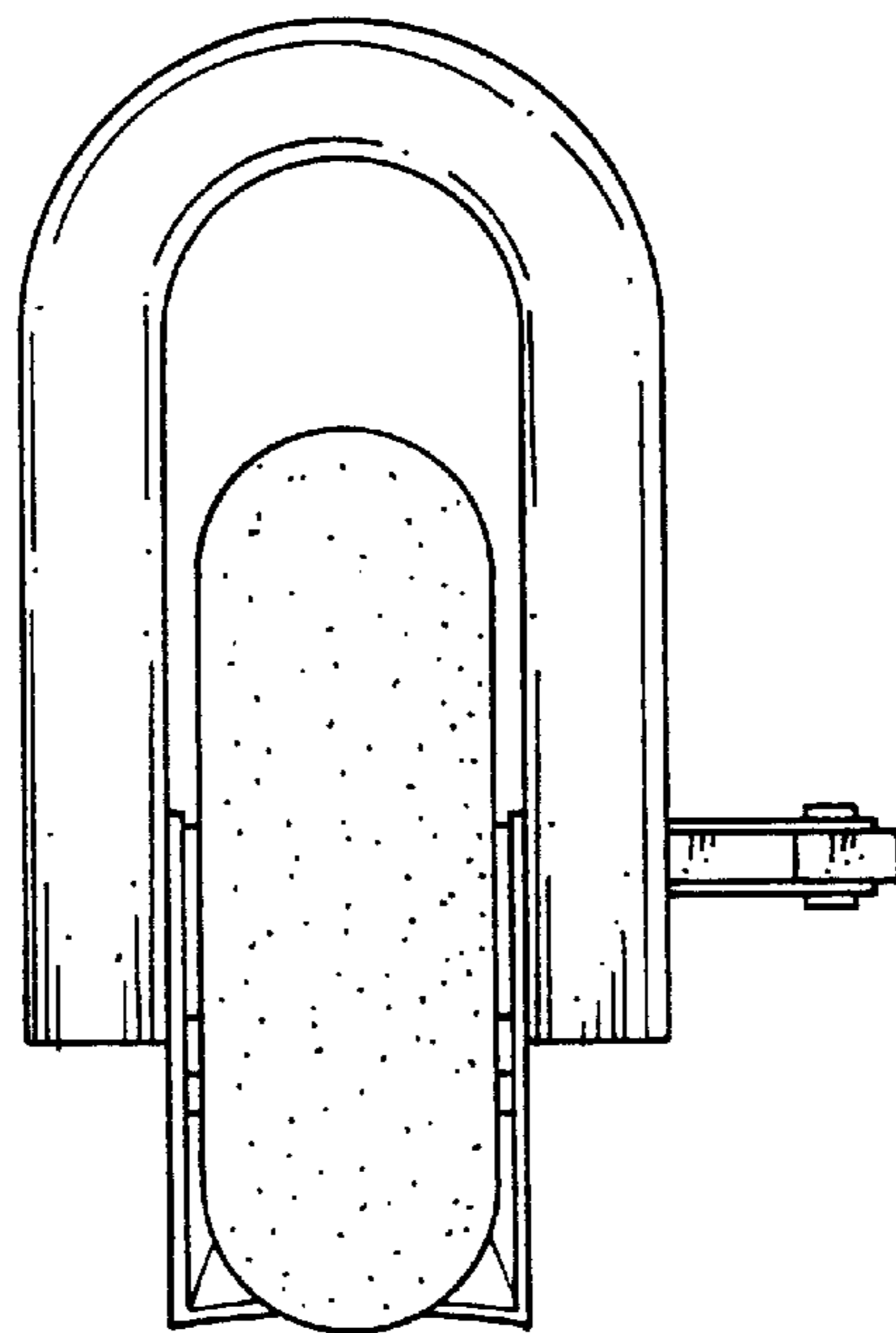


FIG. 5