



US00D439139S

(12) **United States Design Patent**
Kuo

(10) **Patent No.:** **US D439,139 S**

(45) **Date of Patent:** **** Mar. 20, 2001**

(54) **MOUNT FOR A SUPPORT**

(75) **Inventor:** **Kuo-Yung Kuo**, No. 1, Alley 85, Lane 816, Chung-Shan Rd., Shen-Kang Hsiang, Taichung Hsien (TW)

(73) **Assignee:** **Kuo-Yung Kuo**, Taichung Hsien (TW)

(**) **Term:** **14 Years**

(21) **Appl. No.:** **29/094,421**

(22) **Filed:** **Oct. 1, 1998**

(51) **LOC (7) Cl.** **08-05**

(52) **U.S. Cl.** **D8/363**

(58) **Field of Search** D6/545; D8/363;
211/13.1, 16, 88

(56) **References Cited**

U.S. PATENT DOCUMENTS

- D. 259,754 * 7/1981 Fleischmann et al. D6/546
- D. 392,138 * 3/1998 Wu D6/546

* cited by examiner

Primary Examiner—Holly Baynham

(74) *Attorney, Agent, or Firm*—Skjerven, Morrill, MacPherson, Franklin & Friel, LLP; Edward C. Kwok

(57) **CLAIM**

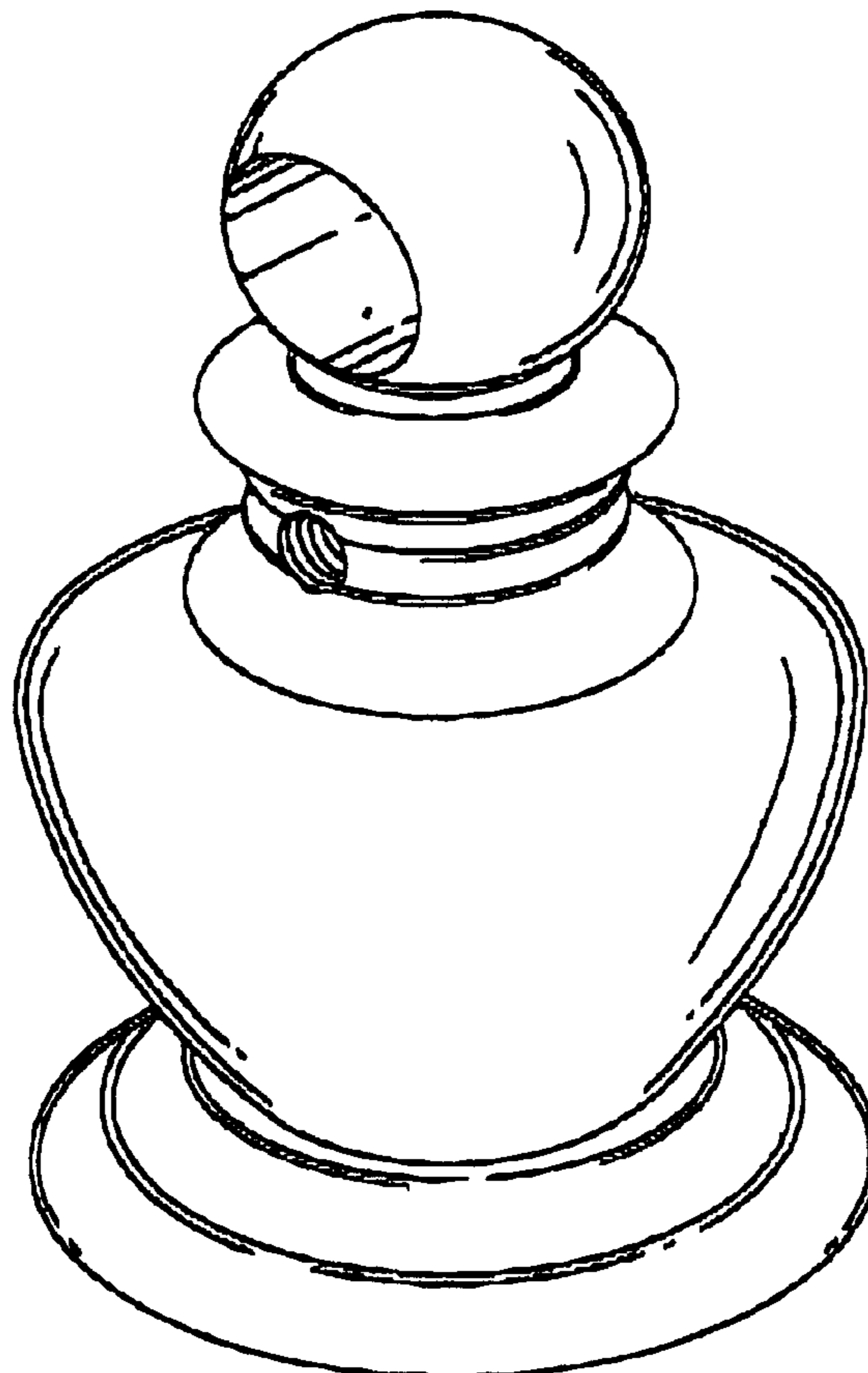
The ornamental design for mount for a support, as shown and described.

DESCRIPTION

FIG. 1 is a perspective view of mount for a support showing my new design;
 FIG. 2 is a front elevational view thereof;
 FIG. 3 is a rear elevational view thereof;
 FIG. 4 is a left side elevational view thereof;
 FIG. 5 is a right side elevational view thereof;
 FIG. 6 is a top plan view thereof;
 FIG. 7 is a bottom plan view thereof;
 FIG. 8 is a perspective view illustrating a first mode of use thereof;
 FIG. 9 is a perspective view illustrating a second mode of use thereof;
 FIG. 10 is a perspective view illustrating a third mode of use thereof;
 FIG. 11 is a perspective view illustrating a fourth mode of use thereof; and,
 FIG. 12 is a perspective view illustrating a fifth mode of use thereof.

The broken line showing of bar supports and towels is for illustrative purposes only and forms no part of the claimed design.

1 Claim, 9 Drawing Sheets



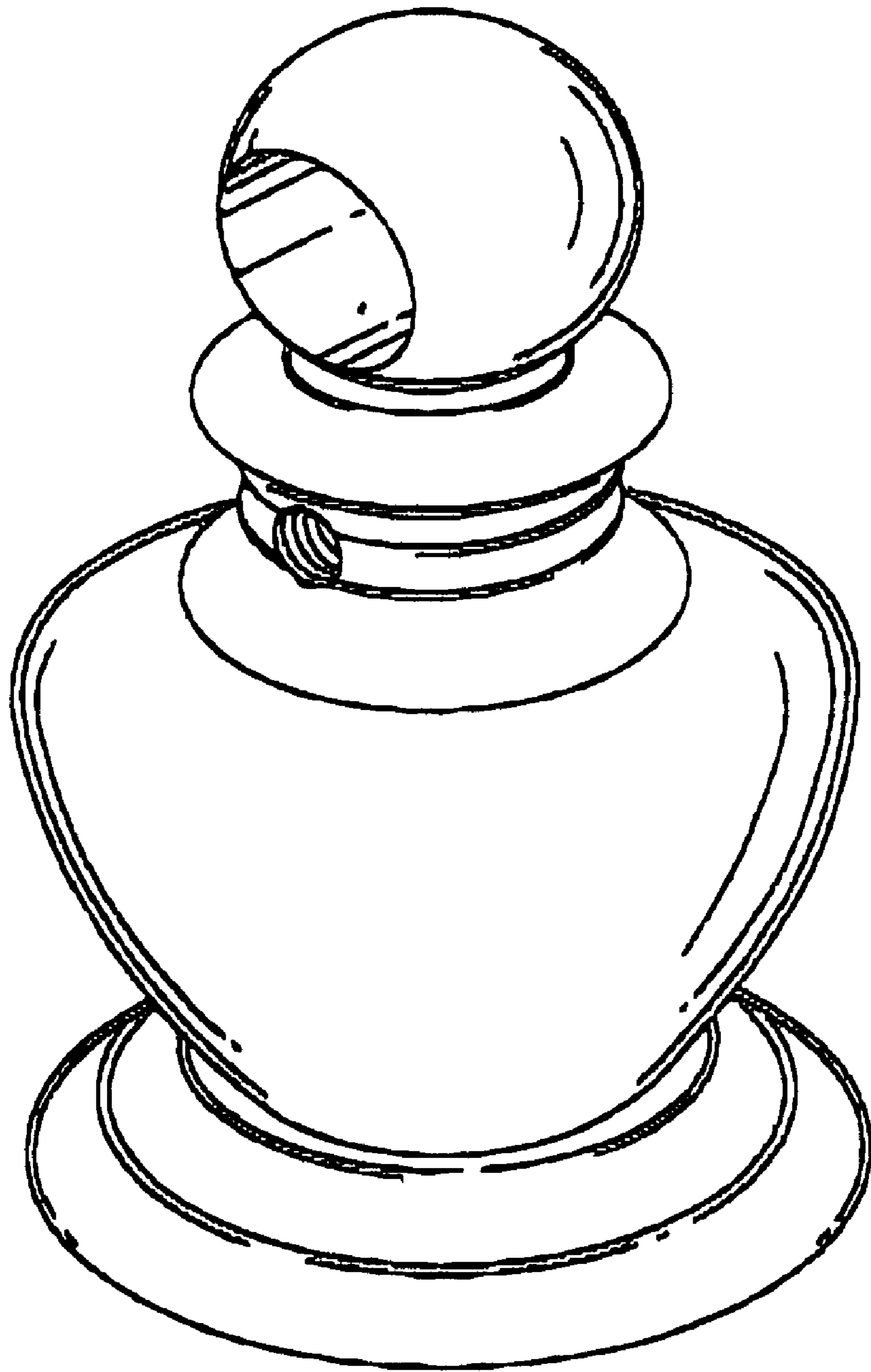


FIG. 1

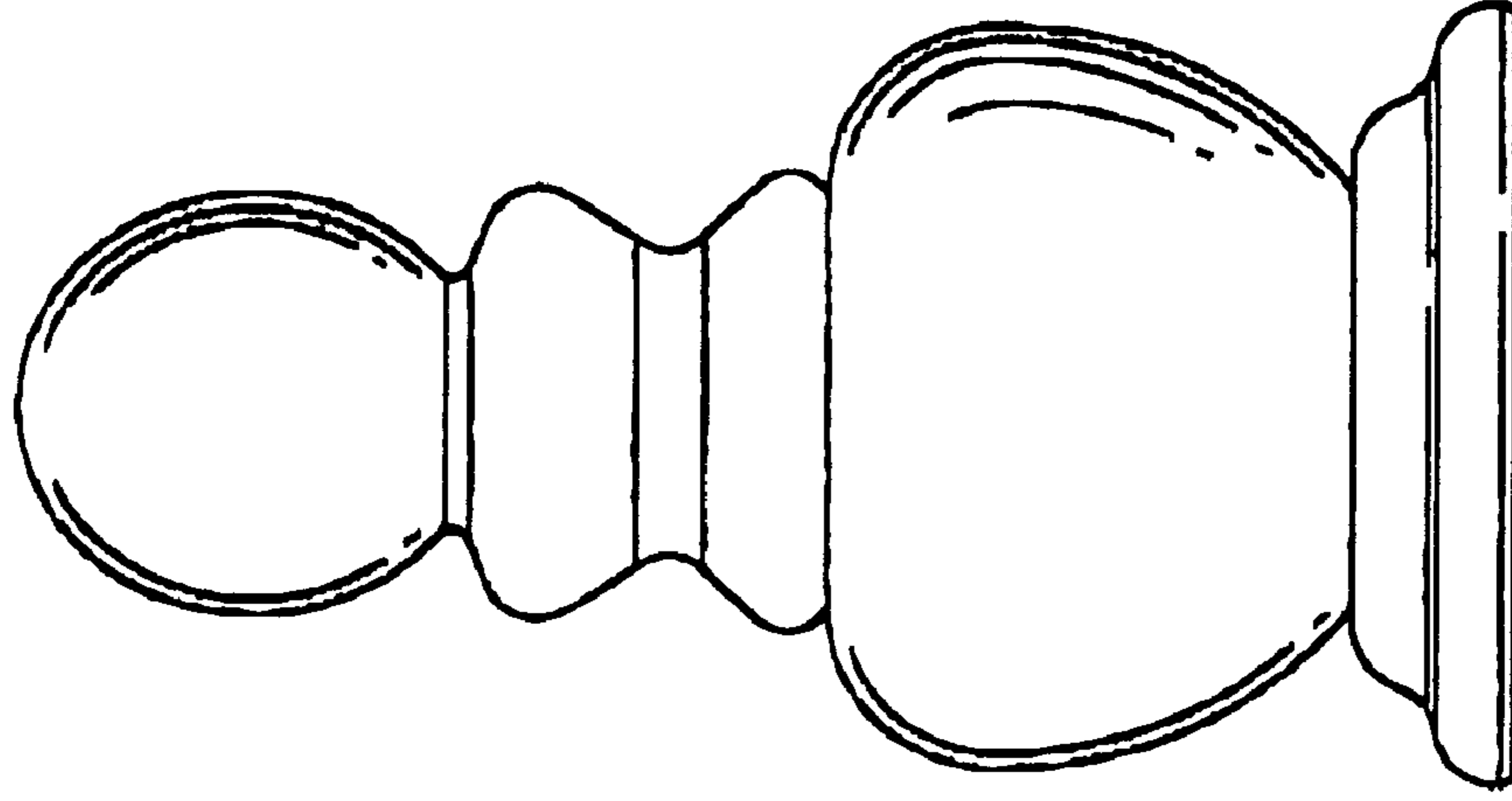


FIG. 3

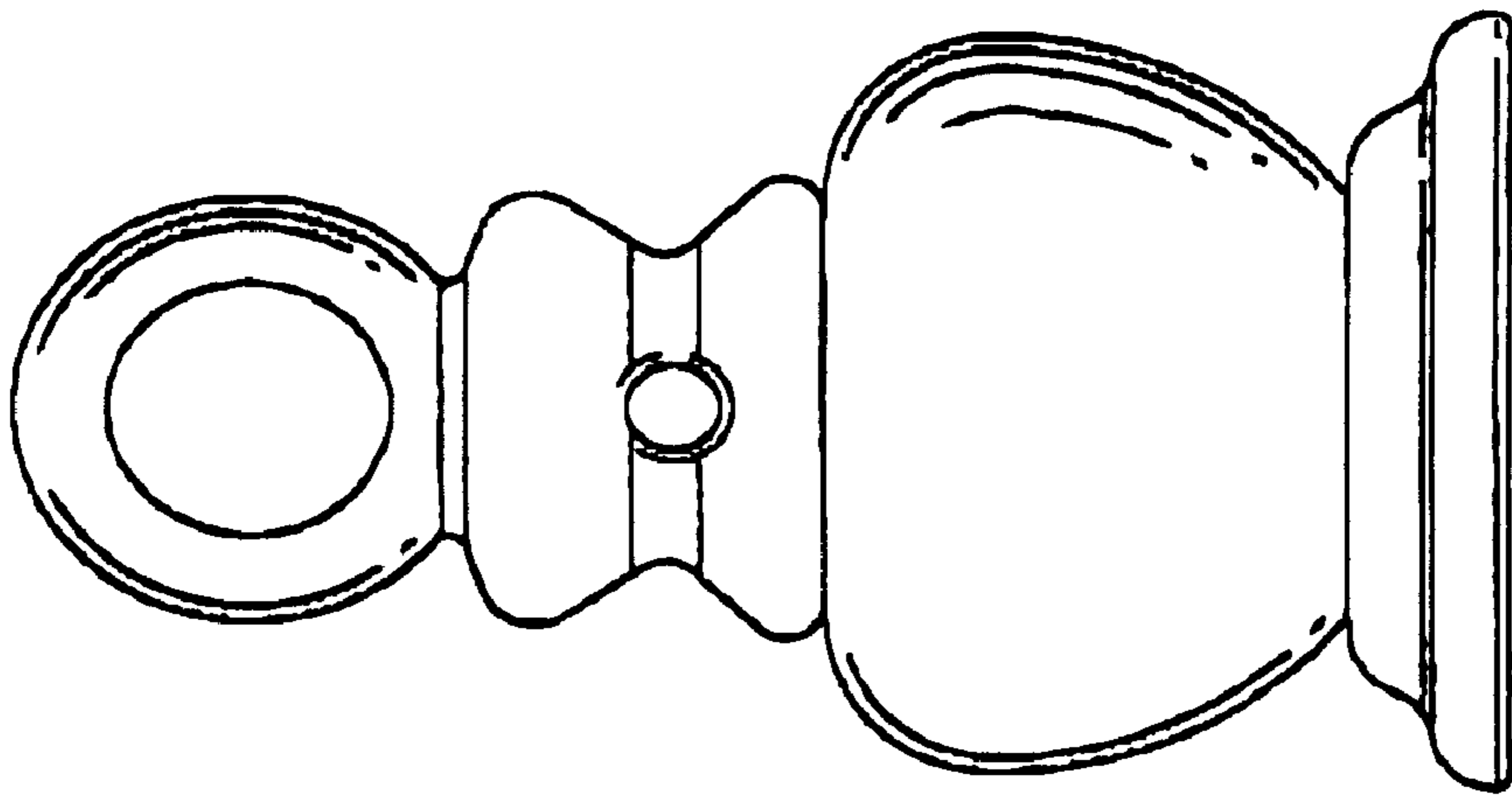


FIG. 2

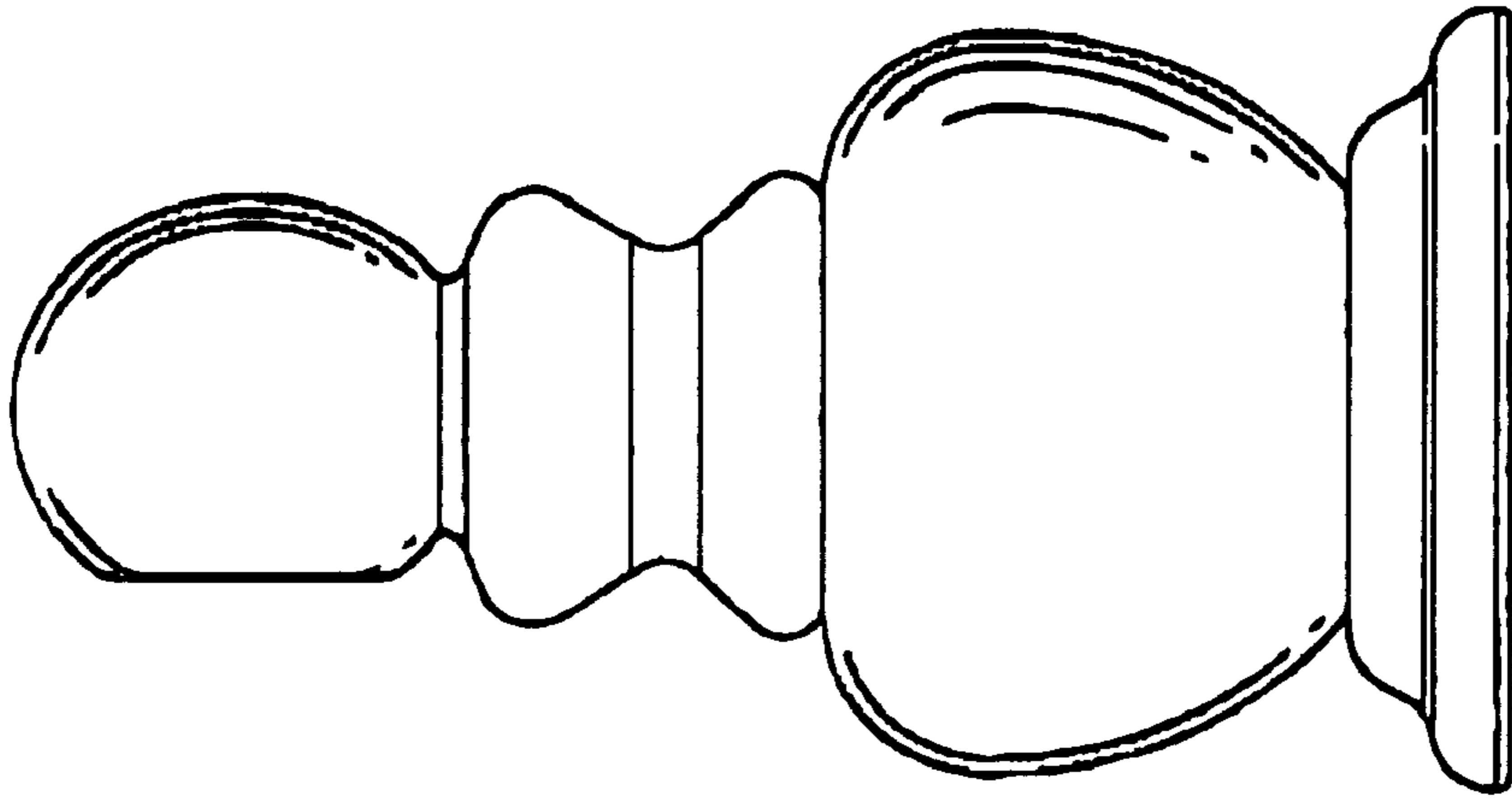


FIG. 5

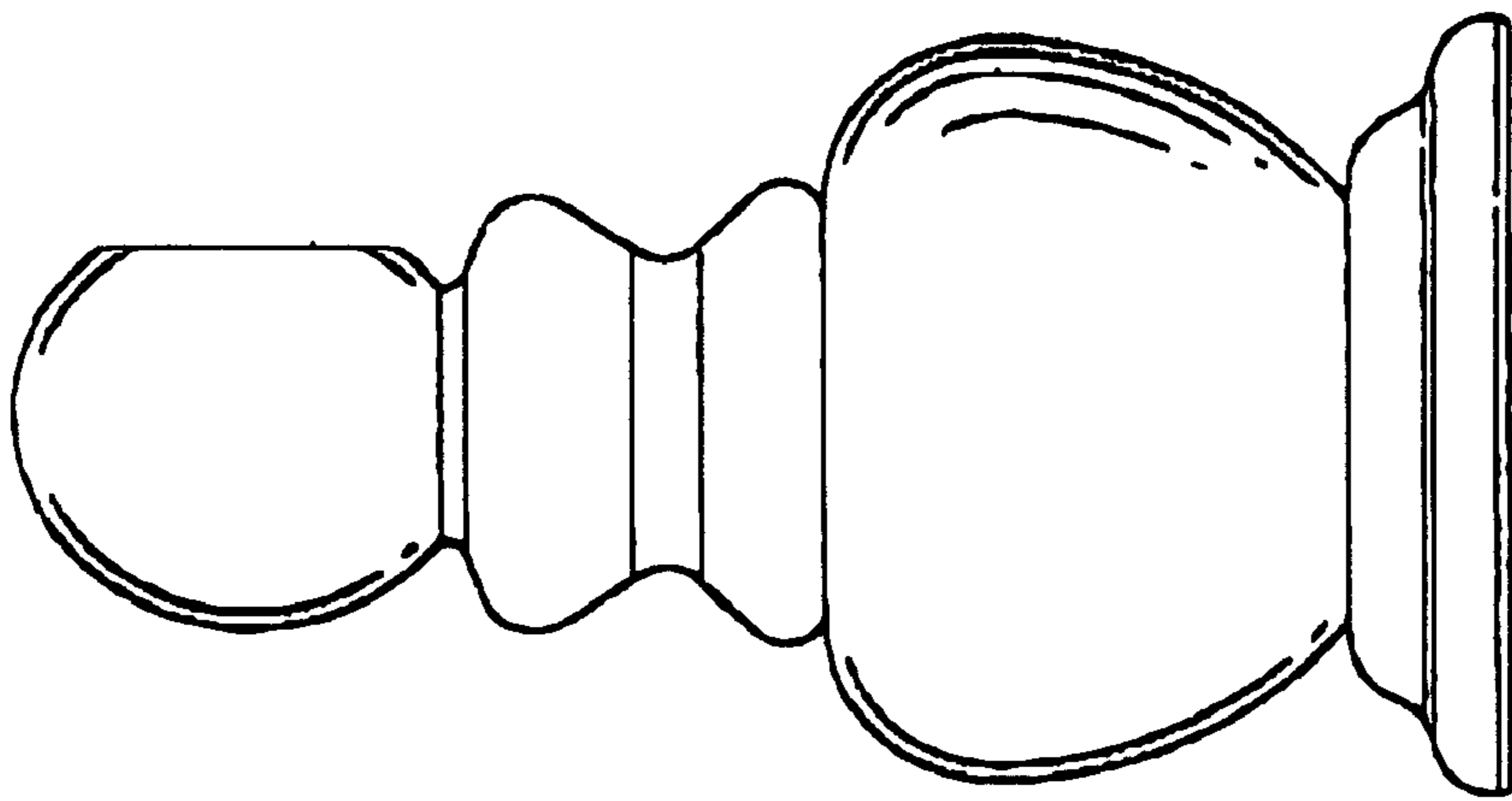


FIG. 4

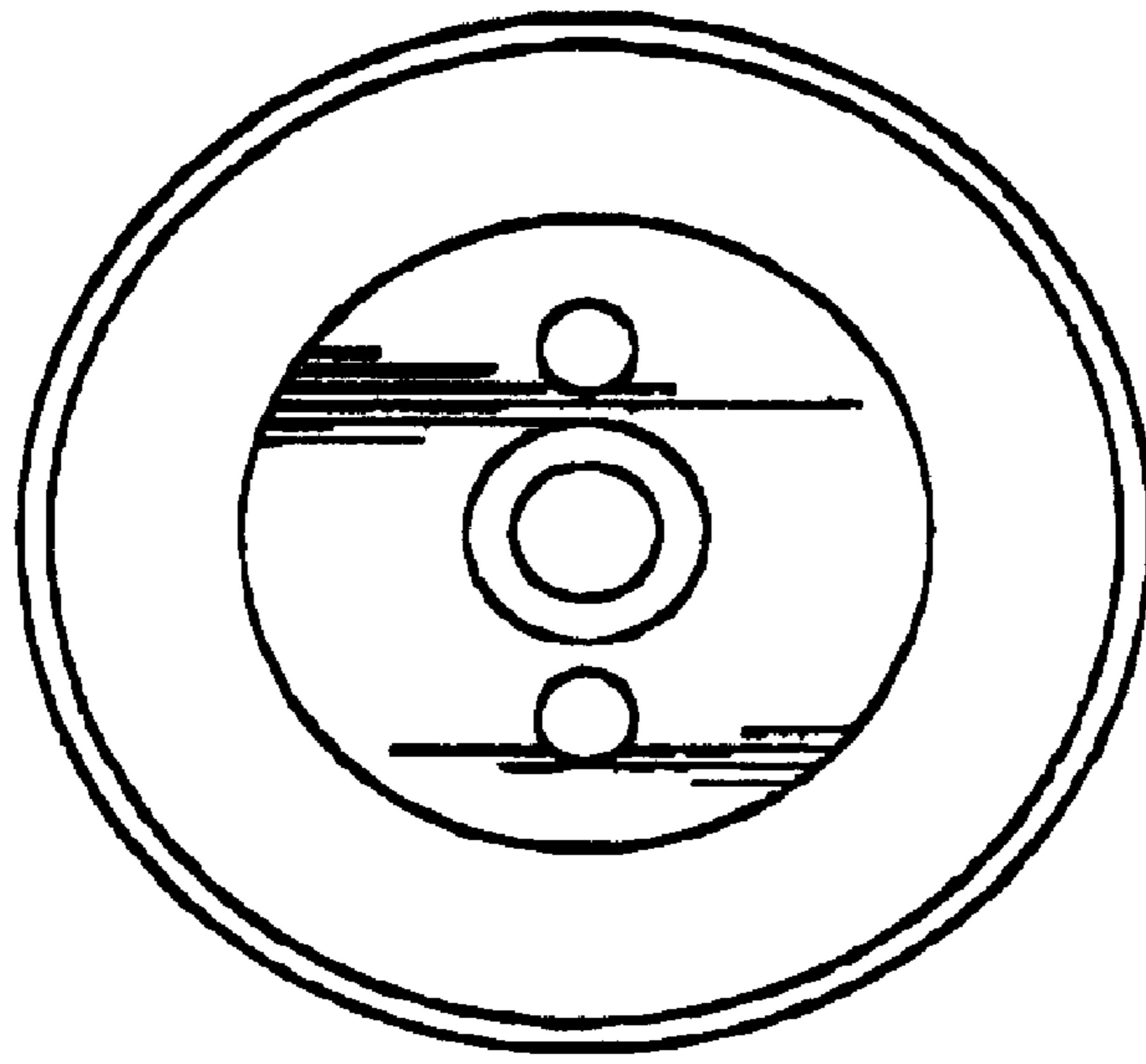


FIG. 7

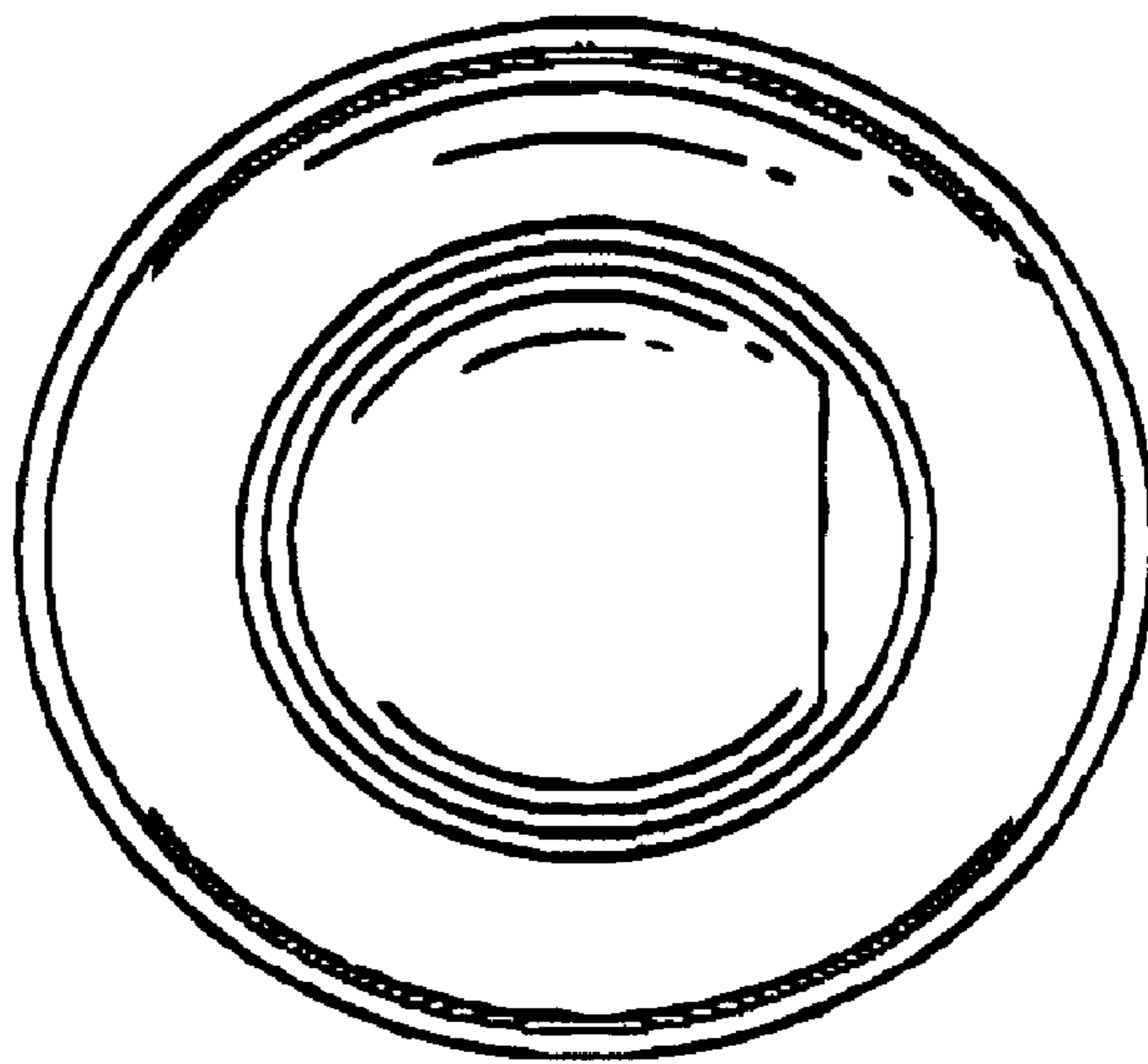


FIG. 6

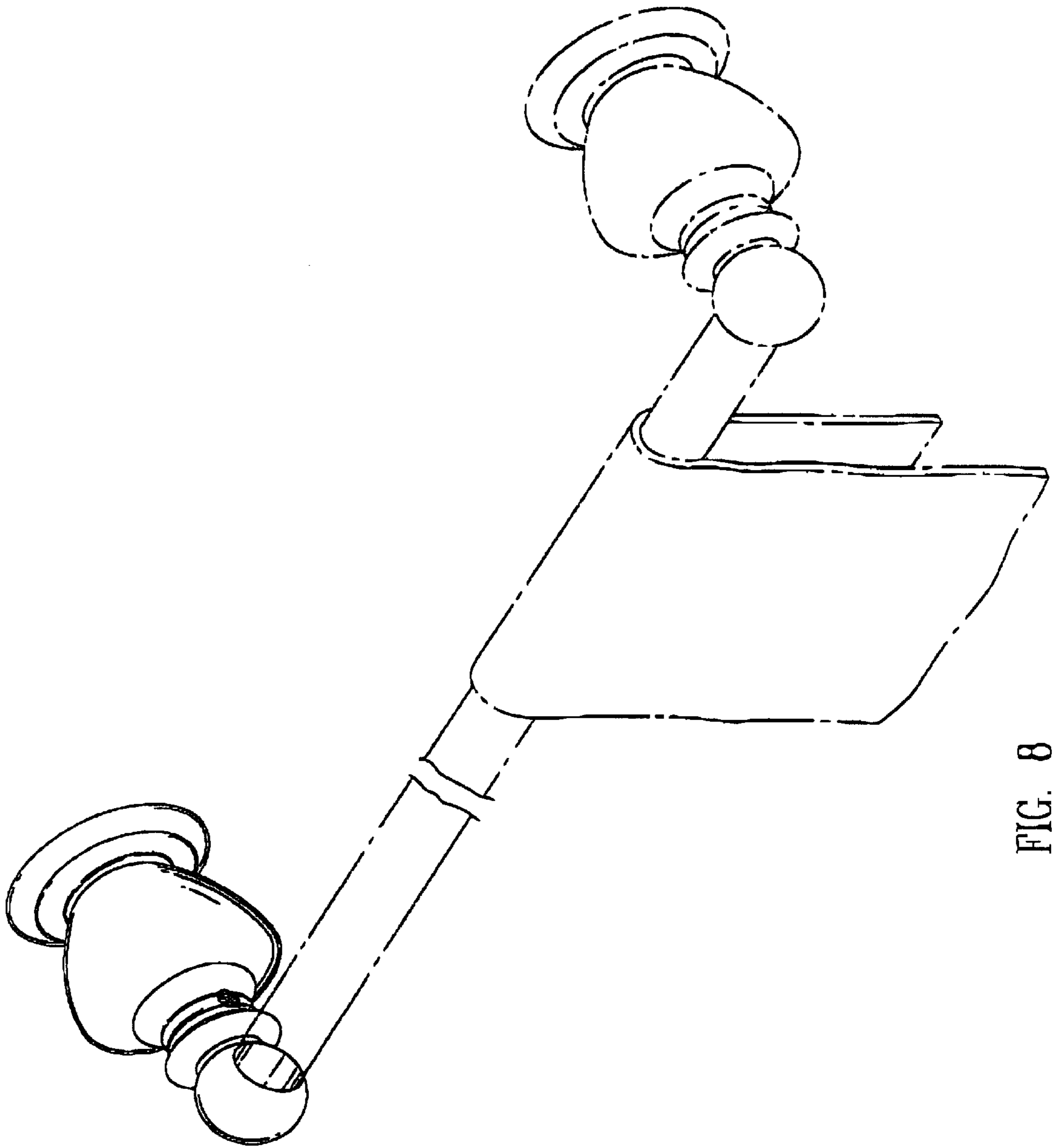


FIG. 8

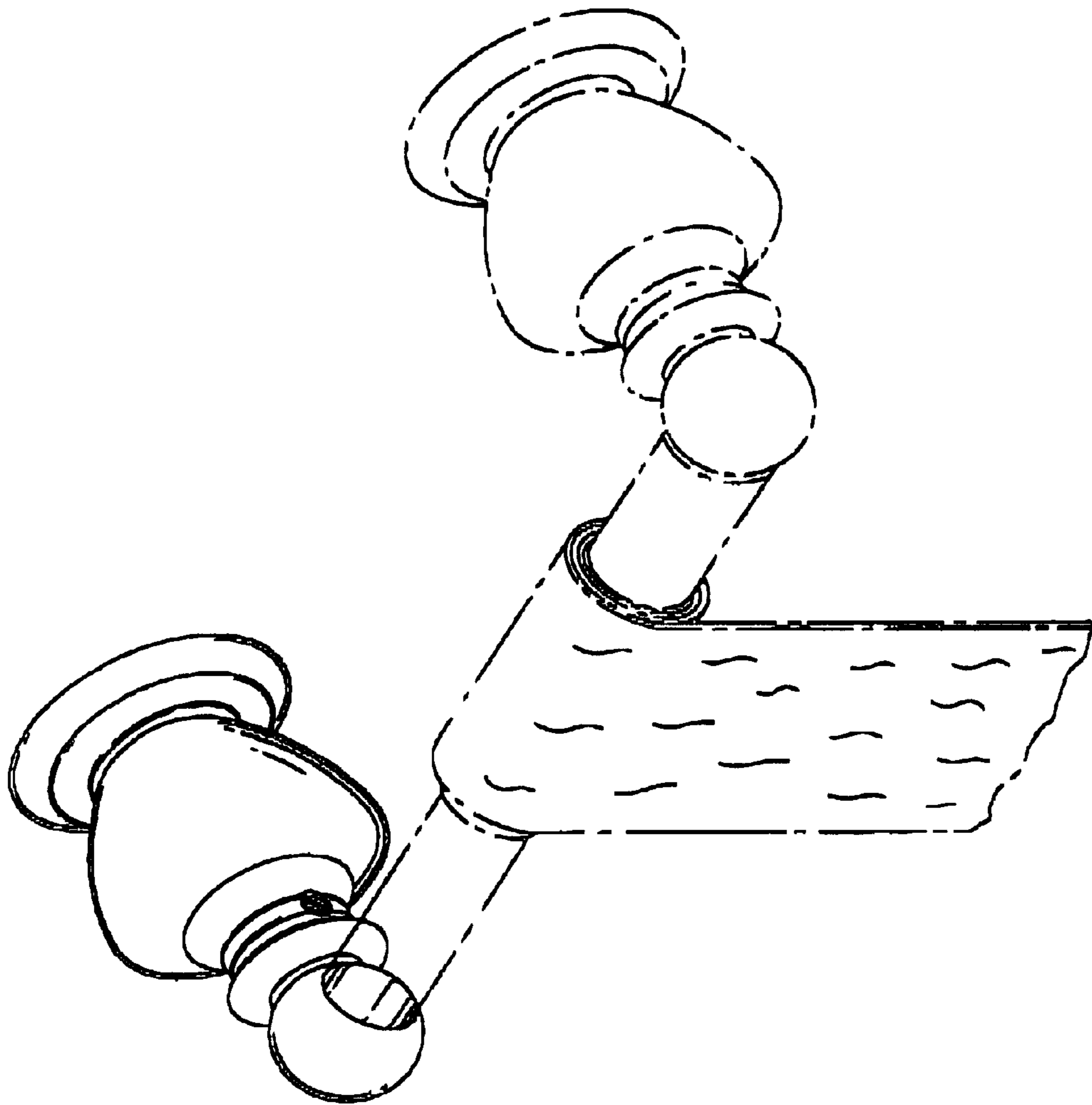


FIG. 9

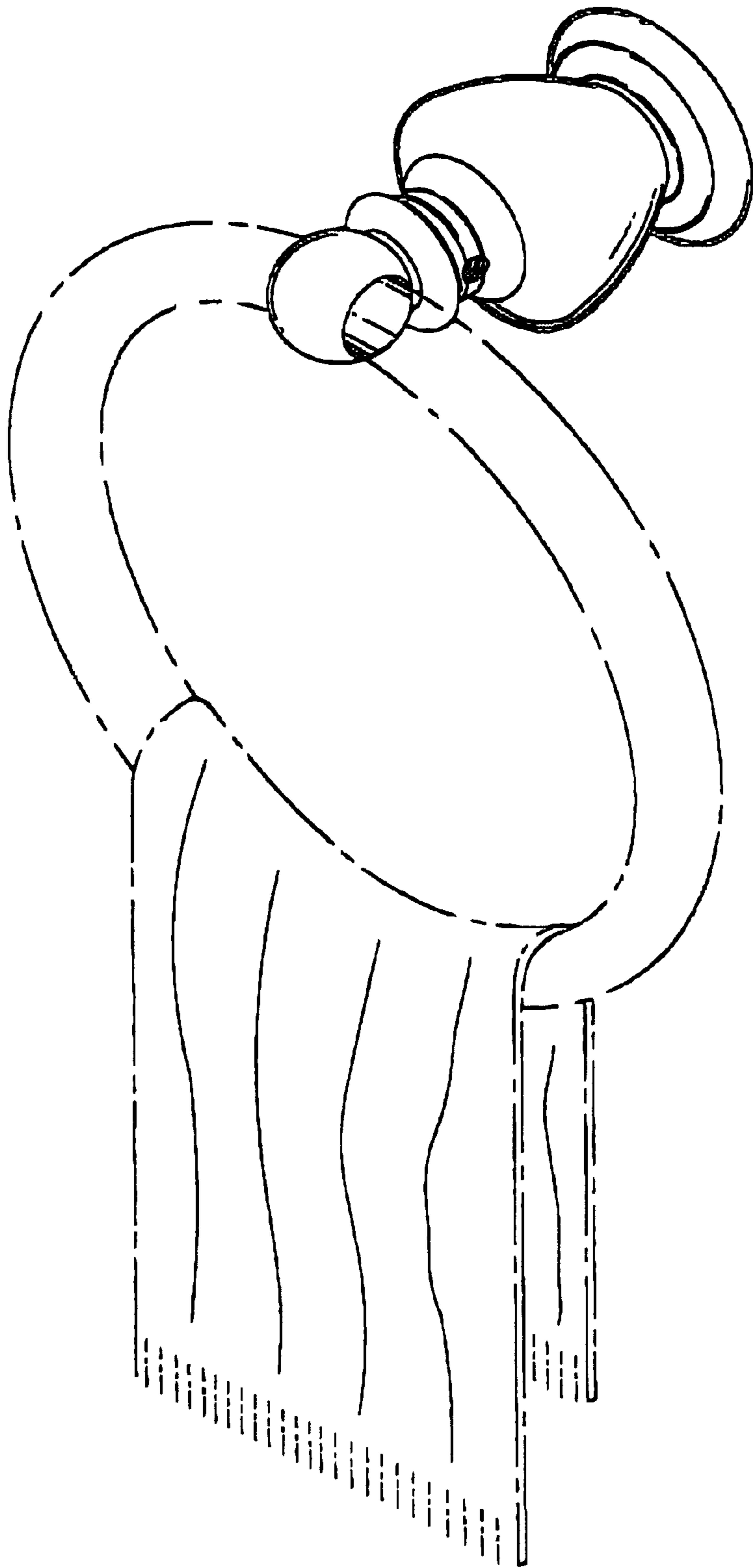


FIG. 10



FIG. 11

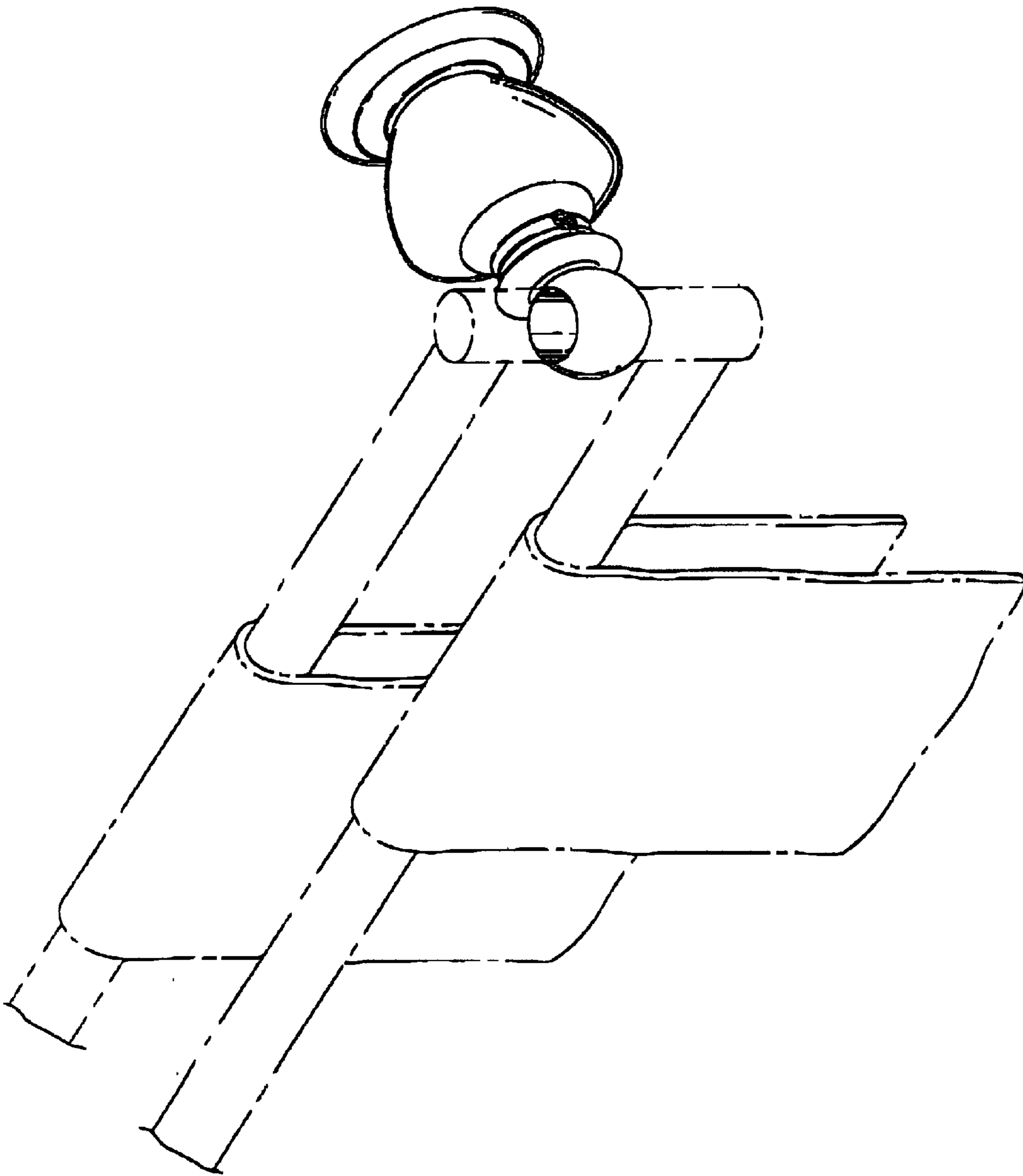


FIG. 12