



US00D439137S

(12) **United States Design Patent**
Ausilio

(10) **Patent No.:** **US D439,137 S**

(45) **Date of Patent:** **** Mar. 20, 2001**

(54) **POSITIONING BRACKET**

(75) Inventor: **John S. Ausilio**, Clinton Township, MI (US)

(73) Assignee: **Ultimate Standard Tooling International, LLC**, Clinton Township, MI (US)

(**) Term: **14 Years**

(21) Appl. No.: **29/129,074**

(22) Filed: **Sep. 6, 2000**

(51) **LOC (7) Cl.** **08-05**

(52) **U.S. Cl.** **D8/354**

(58) **Field of Search** D8/349, 354; 248/300, 248/200, 309.1

(56) **References Cited**

U.S. PATENT DOCUMENTS

D. 401,496 * 11/1998 Lambert et al. D8/354
1,722,755 * 7/1929 Koopmans 248/300

* cited by examiner

Primary Examiner—Holly Baynham

(74) *Attorney, Agent, or Firm*—Duane, Morris & Heckscher LLP

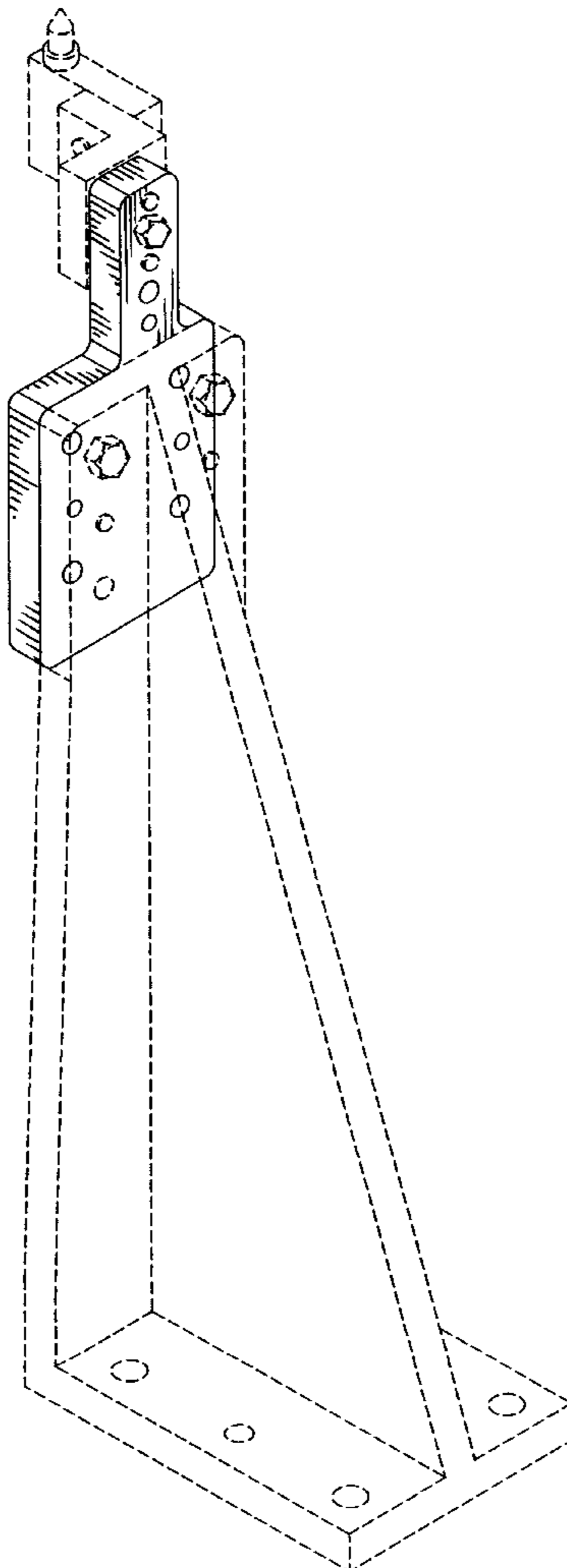
(57) **CLAIM**

The ornamental design for a positioning bracket, as shown and described.

DESCRIPTION

FIG. 1 is a rear perspective view of the positioning bracket supported by a frame, according to the invention; FIG. 2 is a perspective view of the positioning bracket; FIG. 3 is a front side view of the positioning bracket; FIG. 4 is a rear view of the positioning bracket; FIG. 5 is a right view of the positioning bracket; FIG. 6 is a left view of the positioning bracket; FIG. 7 is a top view of the positioning bracket; and, FIG. 8 is a bottom view of the positioning bracket. The broken line showing of structure is for illustrative purposes only and forms no part of the claimed design.

1 Claim, 4 Drawing Sheets



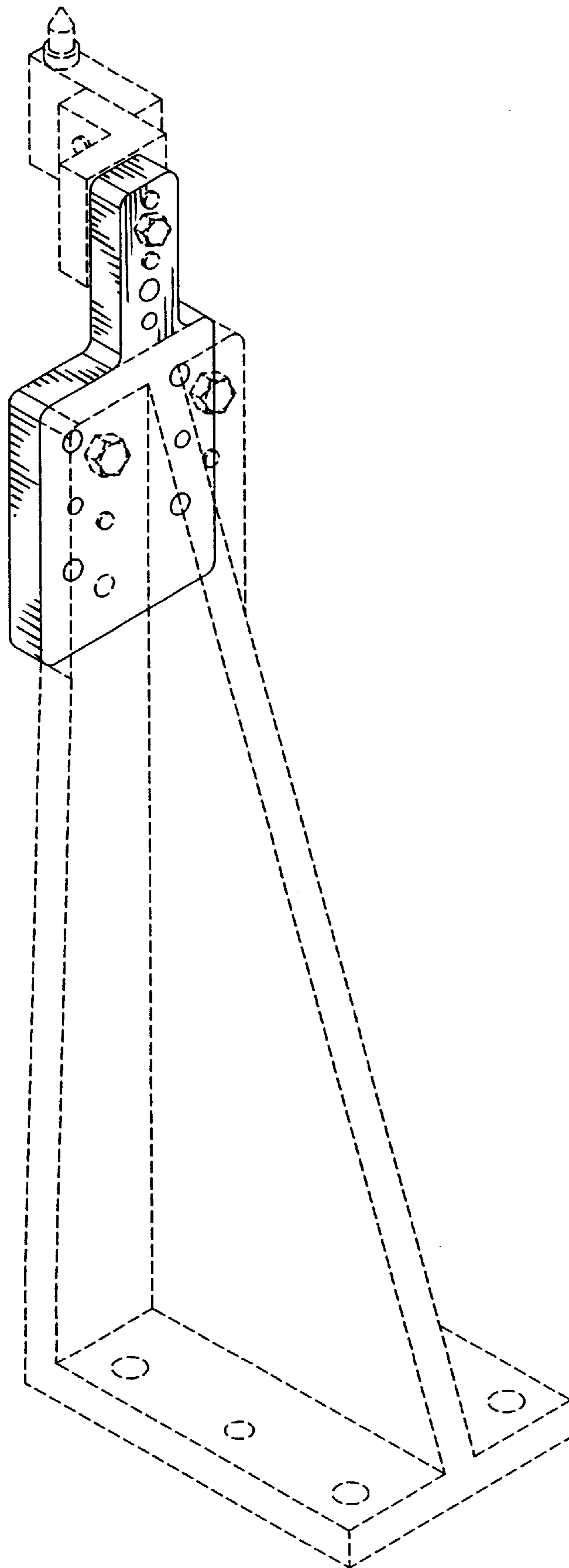


FIG. 1

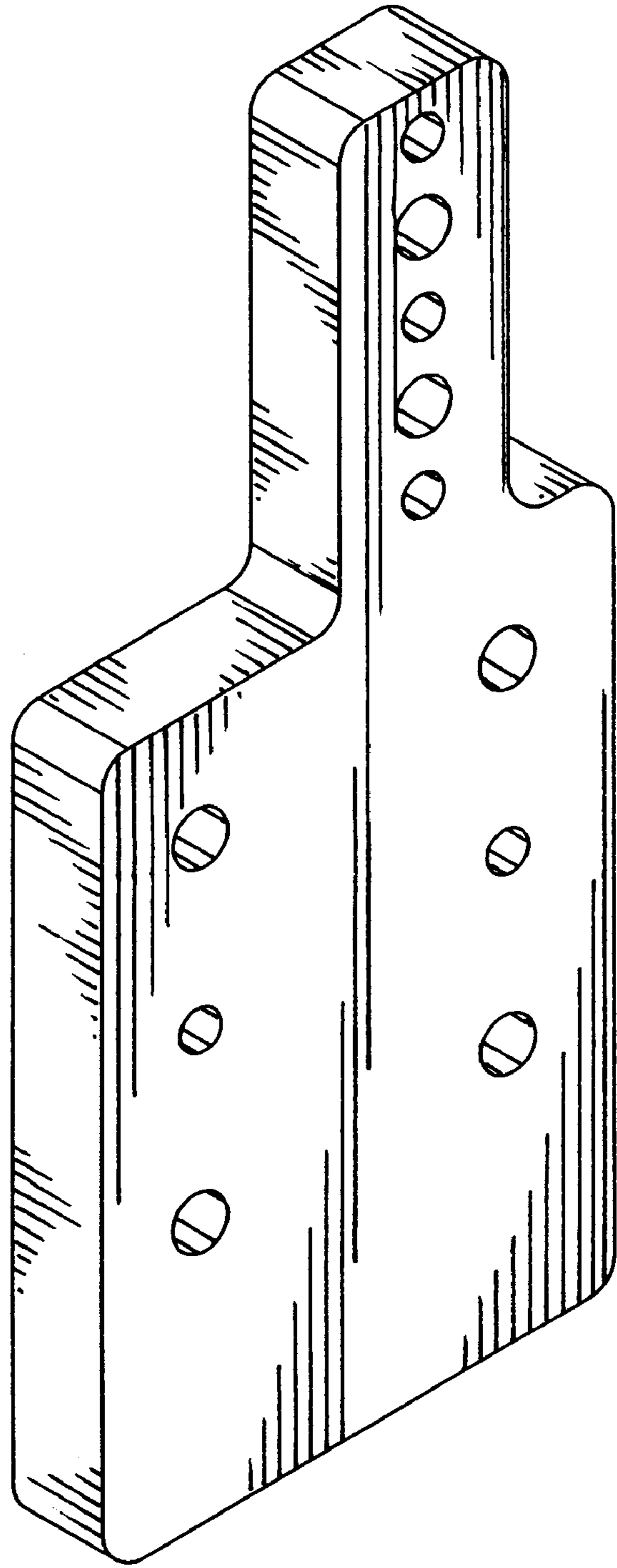


FIG. 2

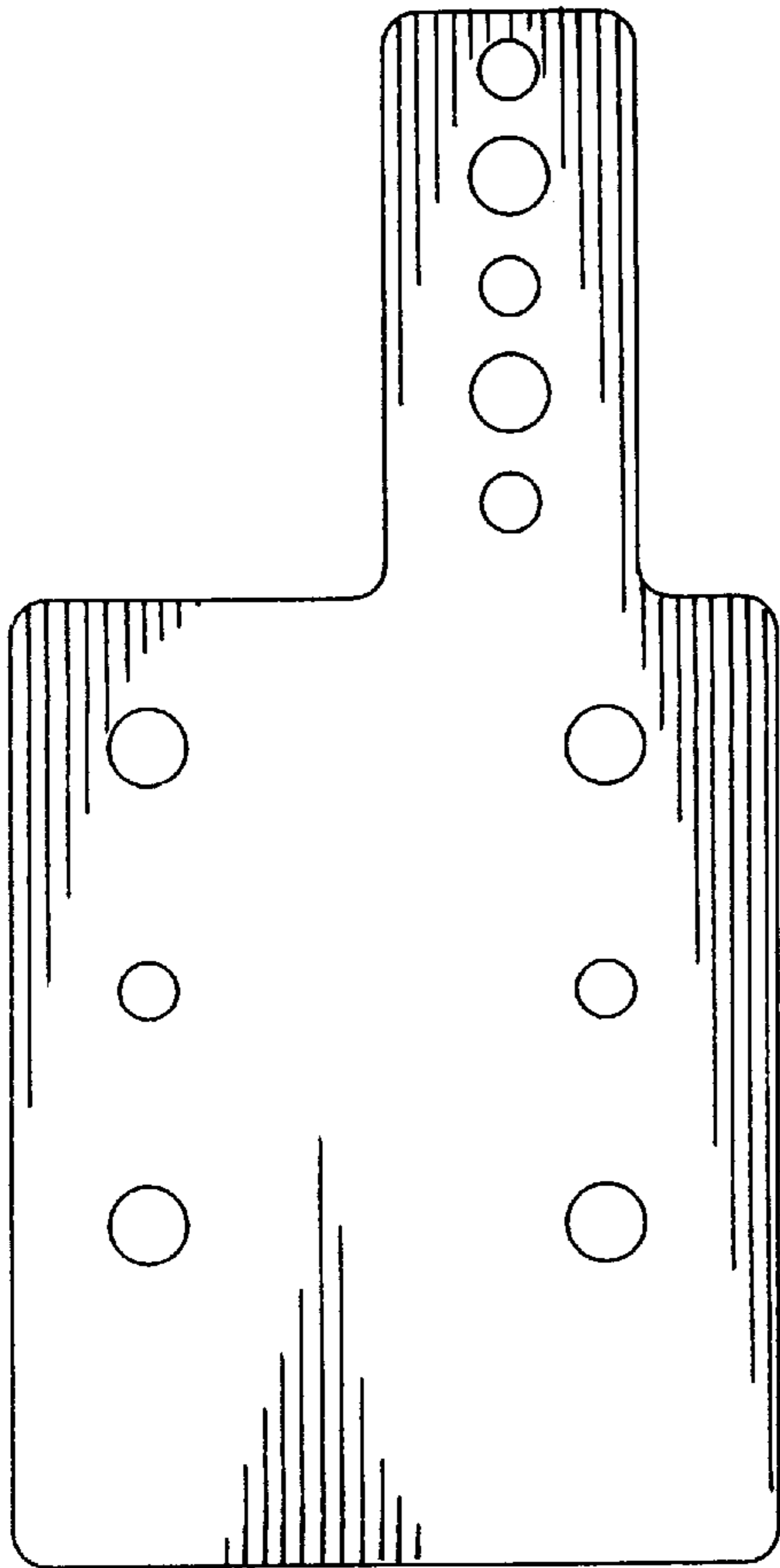


FIG. 3

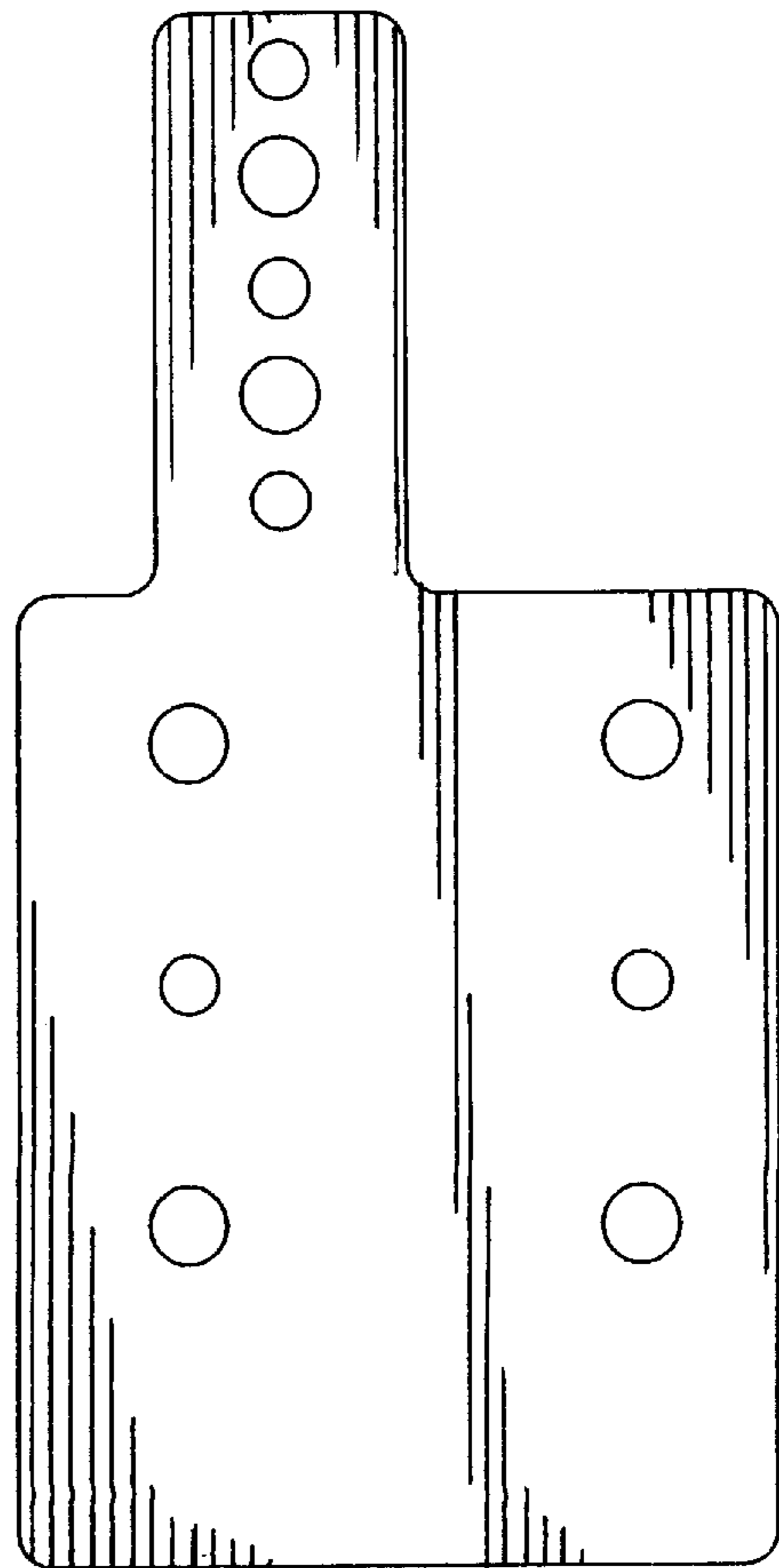


FIG. 4

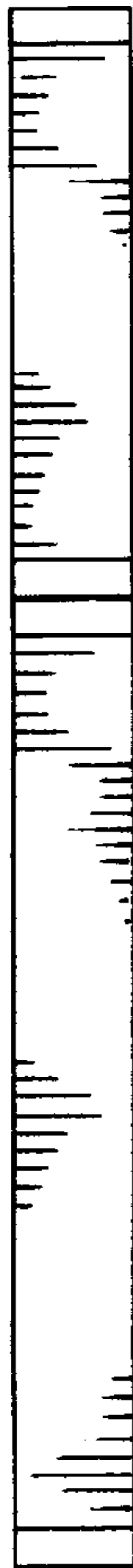


FIG. 5

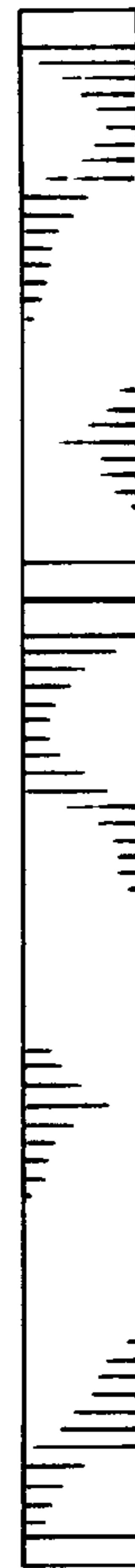


FIG. 6



FIG. 7

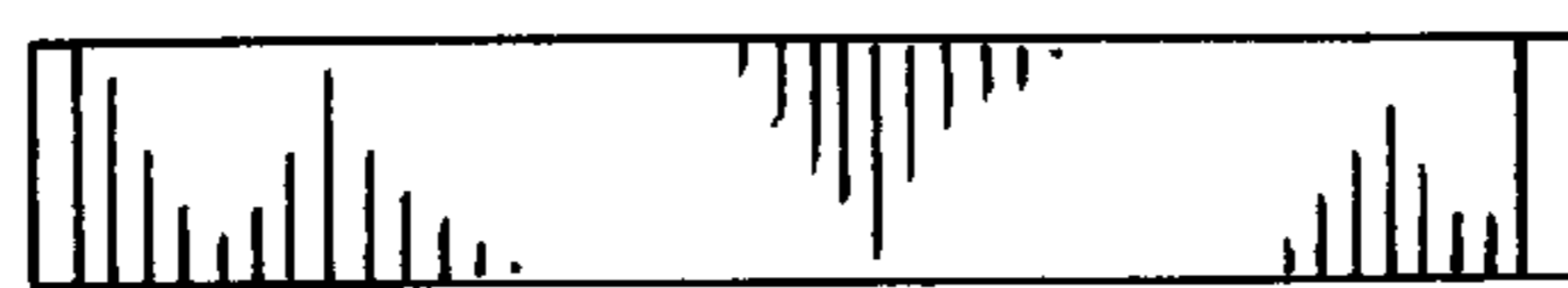


FIG. 8