



US00D439136S

(12) **United States Design Patent**
Rogers

(10) **Patent No.:** **US D439,136 S**

(45) **Date of Patent:** **** Mar. 20, 2001**

(54) **BILGE PUMP MOUNTING BRACKET**

(76) **Inventor:** **Thomas W. Rogers**, 6103 Crowne Cir., Franklin, TN (US) 37067

(**) **Term:** **14 Years**

(21) **Appl. No.:** **29/128,252**

(22) **Filed:** **Aug. 22, 2000**

(51) **LOC (7) Cl.** **08-05**

(52) **U.S. Cl.** **D8/354**

(58) **Field of Search** D8/349, 354; D15/7; 248/146, 300, 309.1, 311.2, 674; 114/183 R

(56) **References Cited**

U.S. PATENT DOCUMENTS

2,467,770	*	4/1949	Mulheim	248/674	X
3,432,705	*	3/1969	Lindtveit	248/674	X
3,580,367	*	5/1971	McCarthy	248/146	X

* cited by examiner

Primary Examiner—Holly Baynham

(74) *Attorney, Agent, or Firm*—Charles M. Kaplan

(57) **CLAIM**

The ornamental design for a bilge pump mounting bracket, as shown and described.

DESCRIPTION

FIG. 1 is a bottom plan view of a bilge pump mounting bracket embodying my new design;

FIG. 2 is a top plan view of the bilge pump mounting bracket;

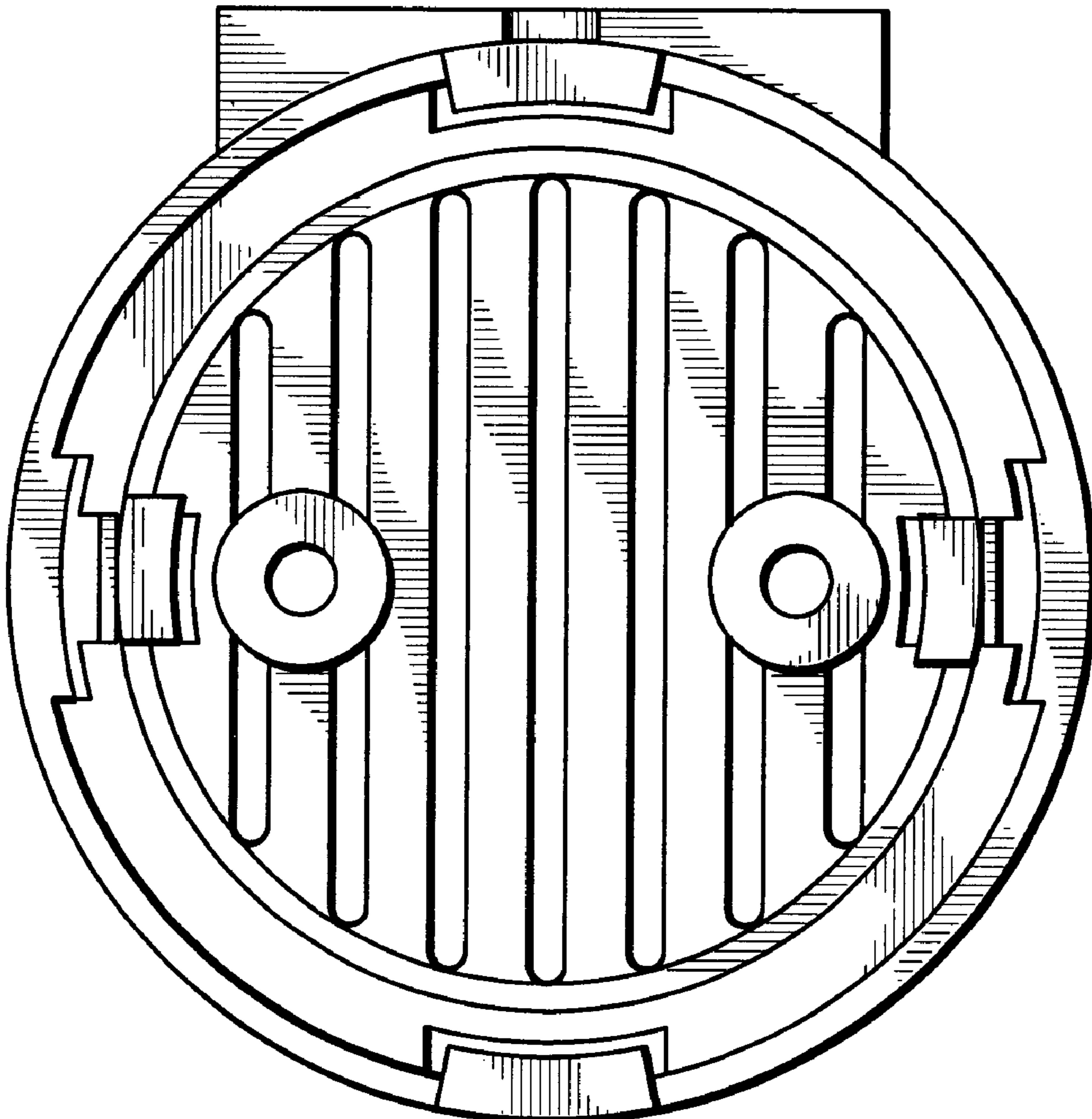
FIG. 3 is a side elevational view of the bilge pump mounting bracket;

FIG. 4 is a side elevational view of the opposite side of the bilge pump mounting bracket;

FIG. 5 is a rear elevational view of the bilge pump mounting bracket; and,

FIG. 6 is a front elevational view of the bilge pump mounting bracket.

1 Claim, 3 Drawing Sheets



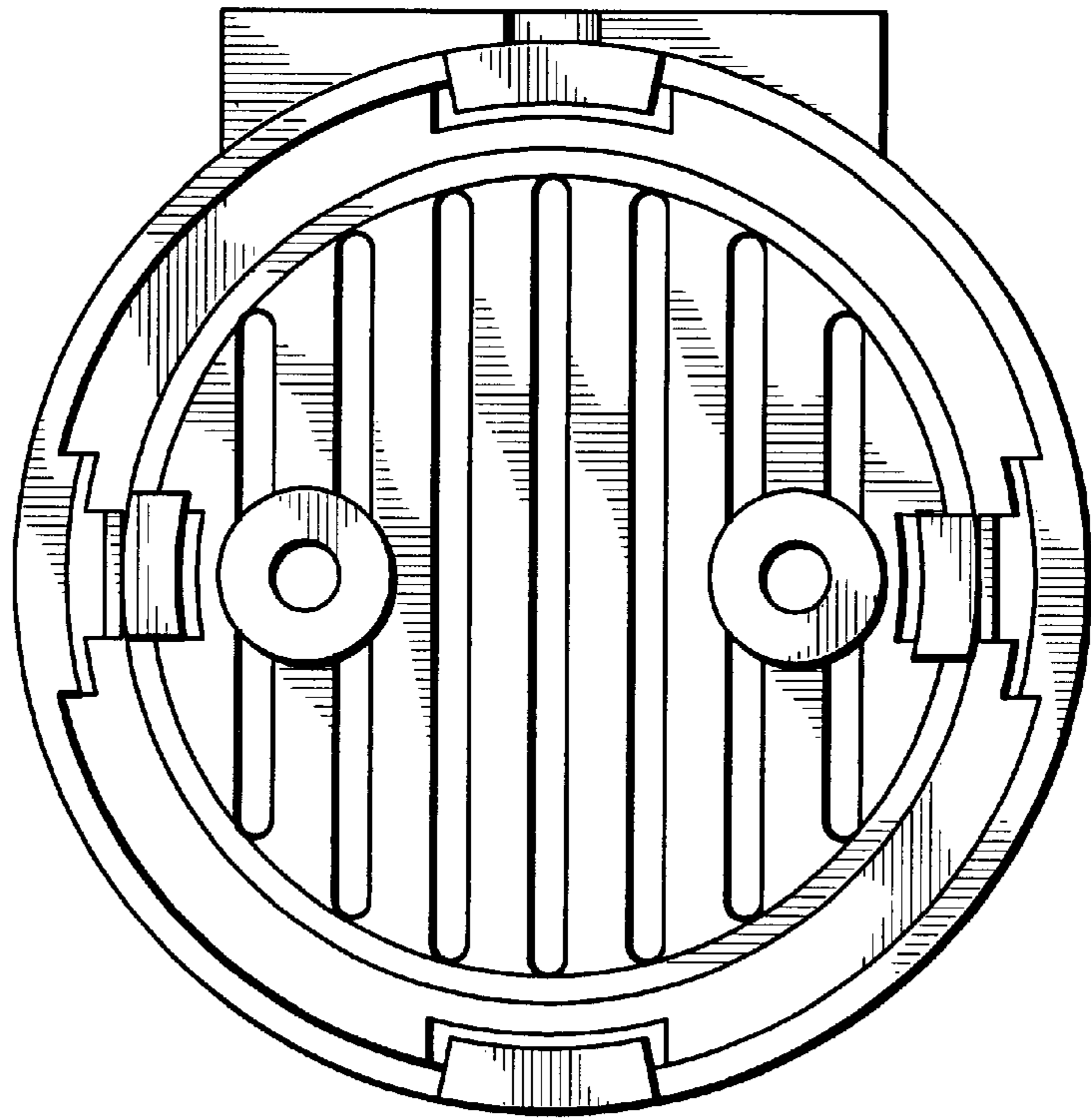


Fig. 1

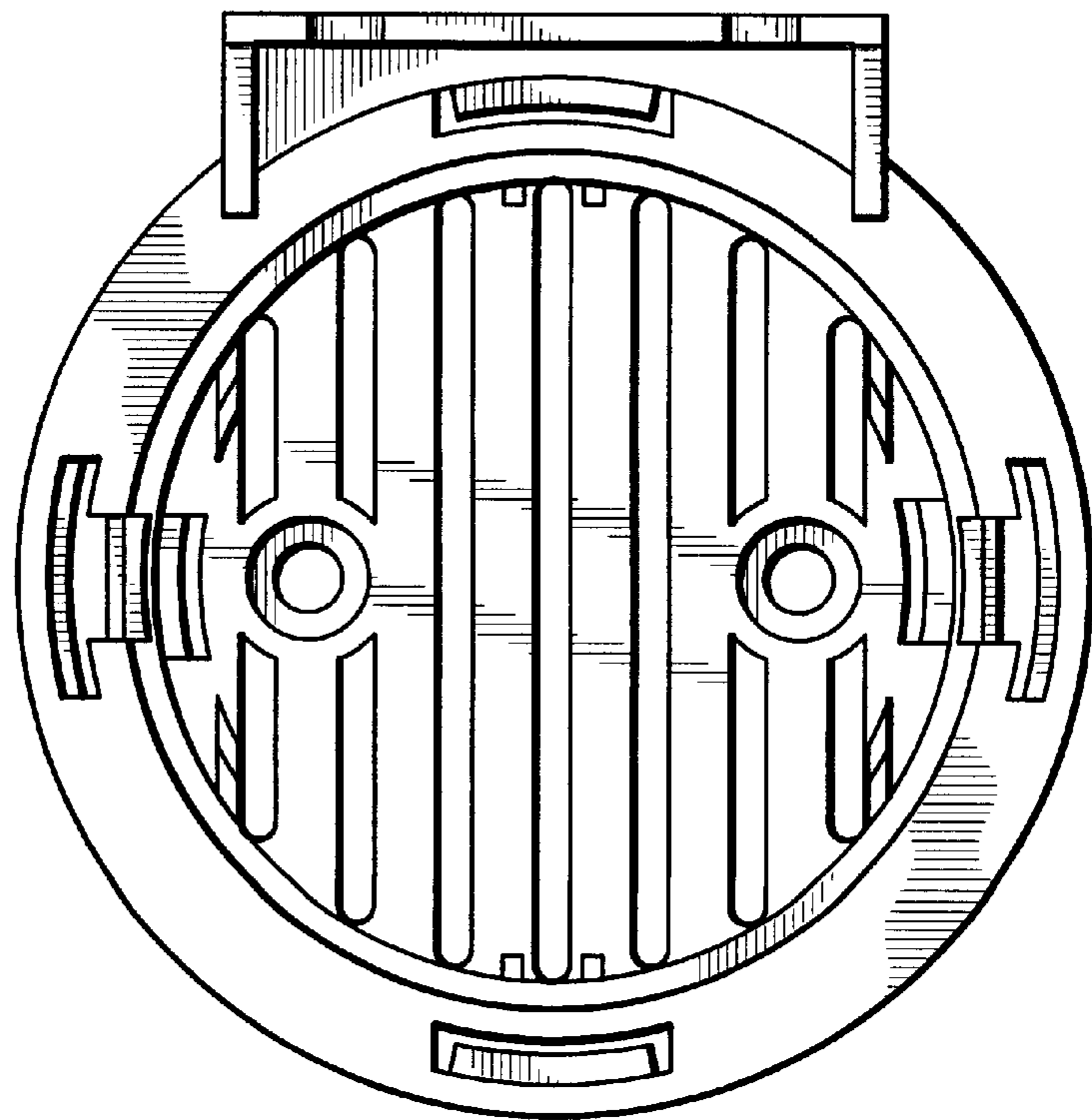


Fig. 2

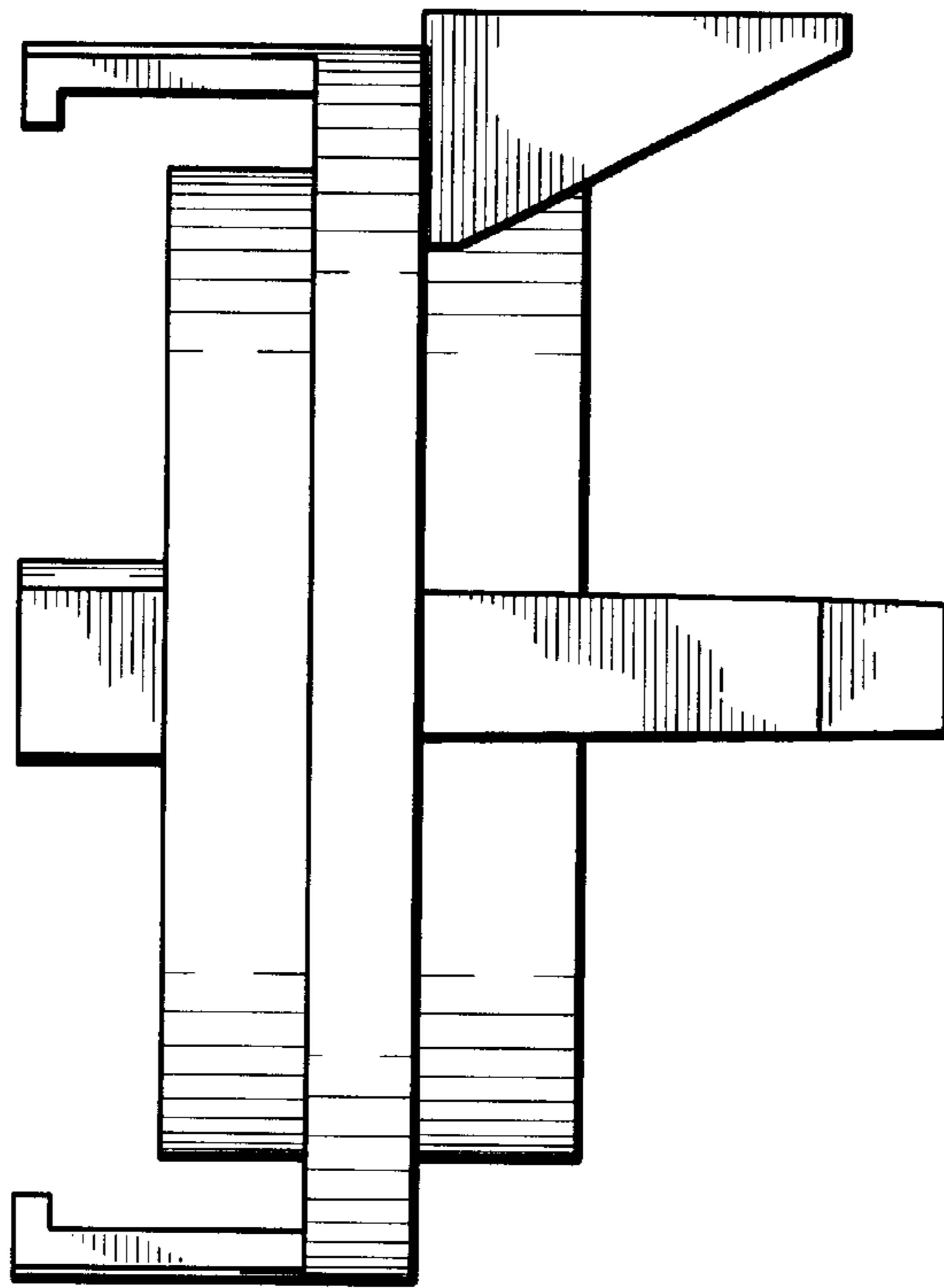


Fig. 3

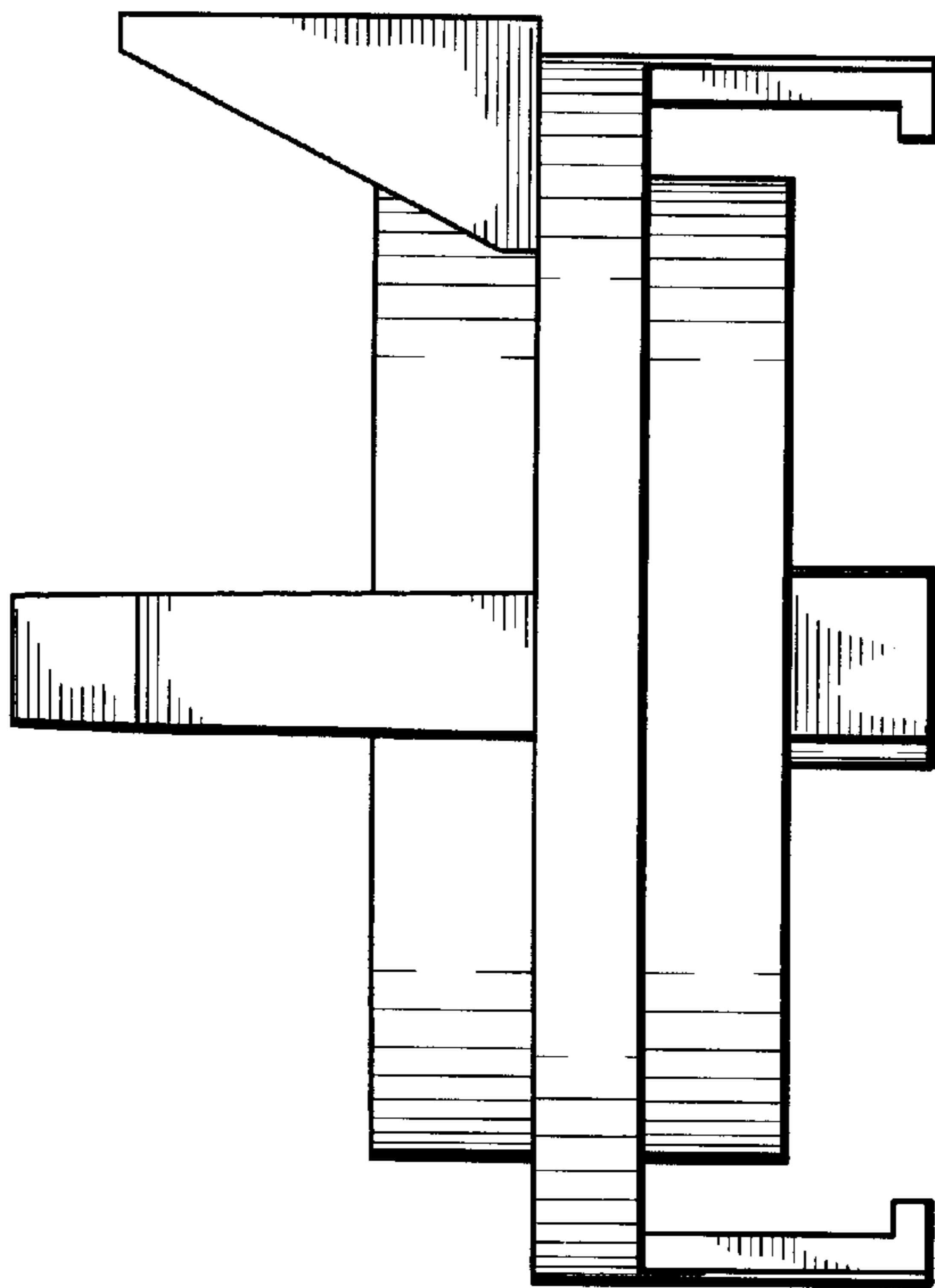


Fig. 4

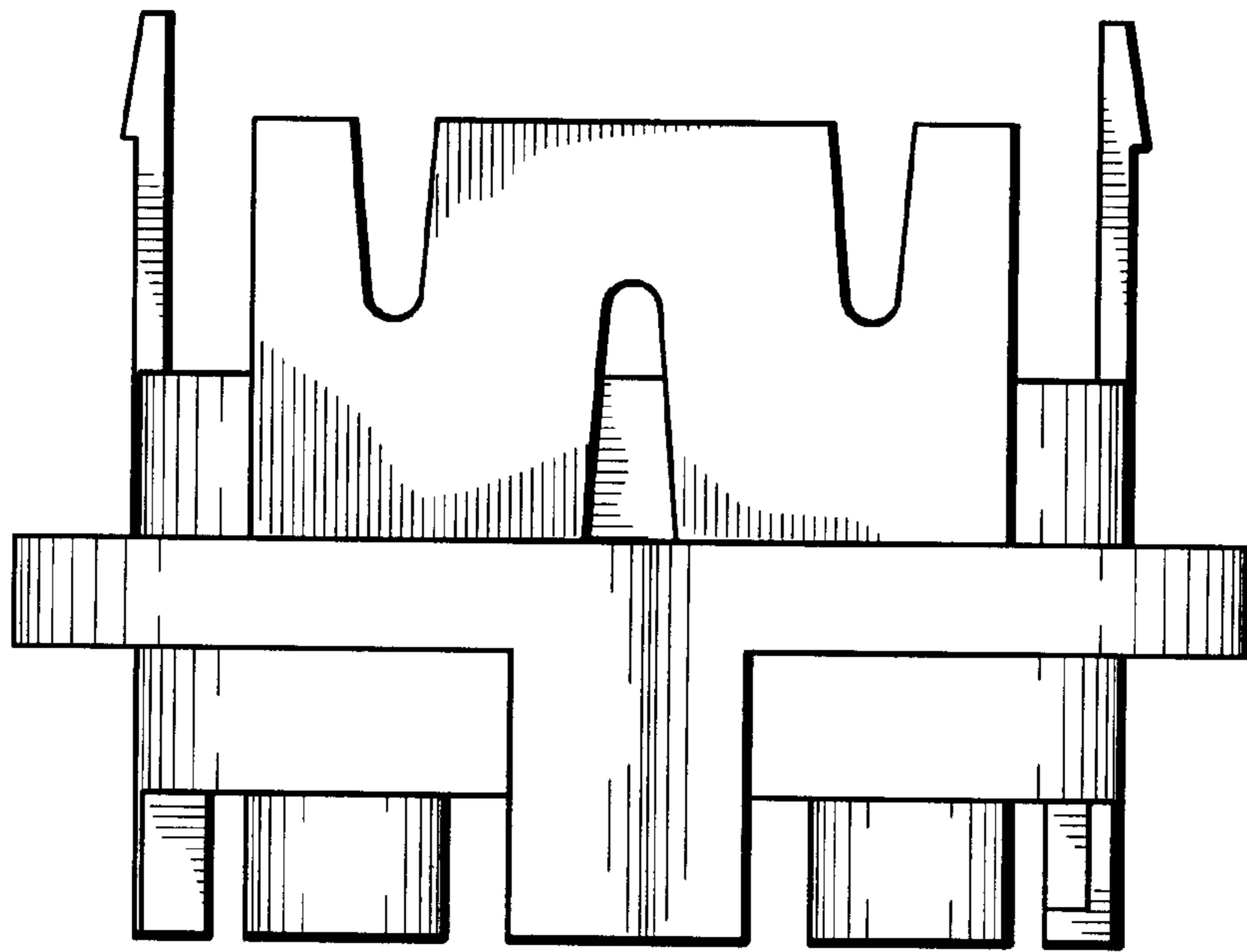


Fig. 5

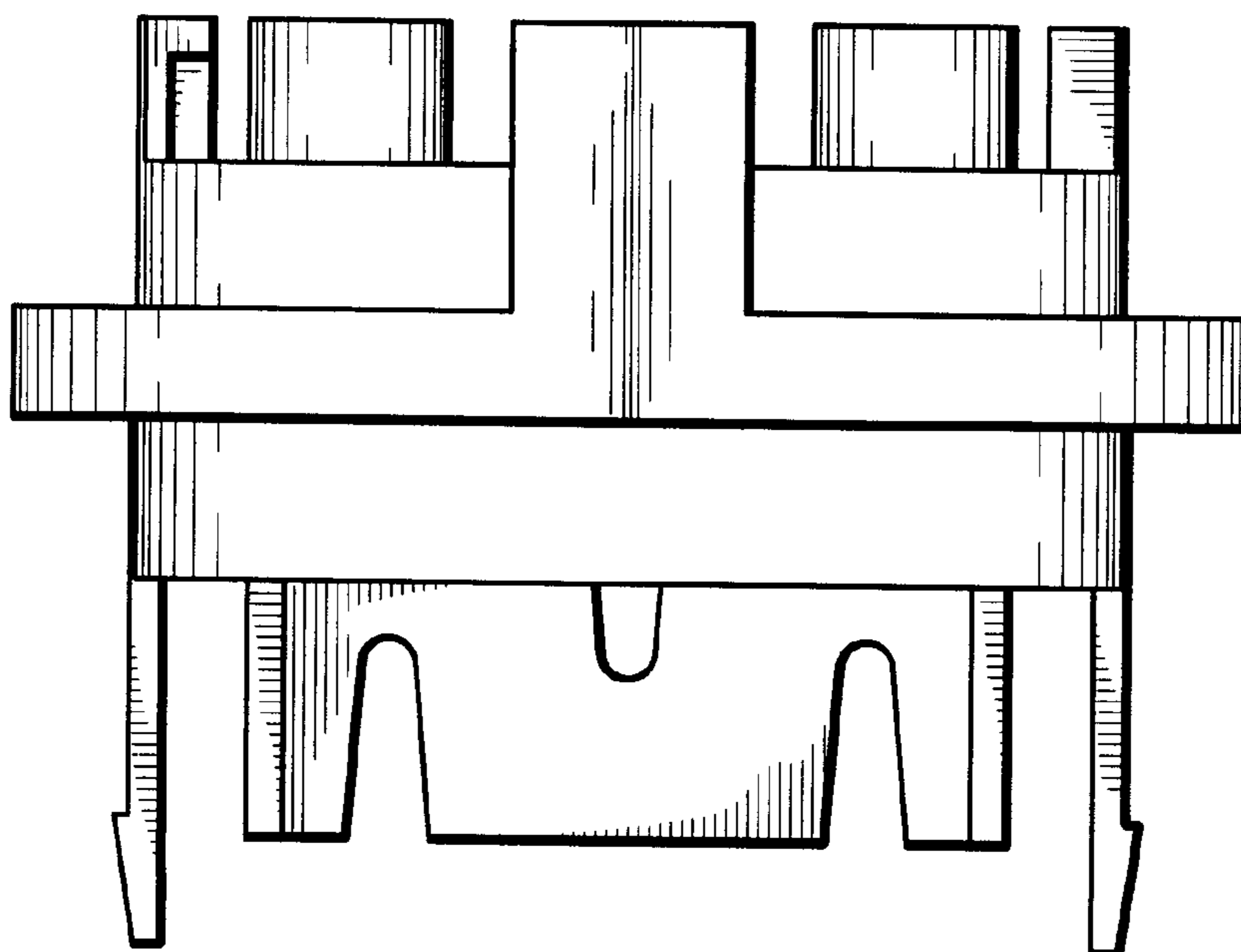


Fig. 6