



US00D439135S

(12) **United States Design Patent**  
**Elmer**

(10) **Patent No.:** **US D439,135 S**

(45) **Date of Patent:** **\*\* Mar. 20, 2001**

(54) **BRACKET FOR HANGING DECORATIVE PANELS**

5,909,758 \* 6/1999 Kitamura ..... 16/111 R

\* cited by examiner

(75) Inventor: **Hubert Elmer**, Innsbruck (AT)

*Primary Examiner*—Holly Baynham

(73) Assignee: **DORMA GmbH + Co. KG**, Ennepetal (DE)

(74) *Attorney, Agent, or Firm*—Nils H. Ljungman & Associates

(\*\*) Term: **14 Years**

(57) **CLAIM**

(21) Appl. No.: **29/119,932**

The ornamental design for a bracket for hanging decorative panels, as shown and described.

(22) Filed: **Mar. 10, 2000**

(30) **Foreign Application Priority Data**

**DESCRIPTION**

Sep. 13, 1999 (DE) ..... 4 99 08 700

FIG. 1 is a perspective view of a bracket for hanging decorative panels with the broken line showing of a connection to an outer facade of a building being for illustrative purposes only and forming no part of the claimed design; FIG. 2 is a perspective view thereof; FIG. 3 is a perspective view thereof; FIG. 4 is a side view thereof; and, FIG. 5 is a top view thereof.

(51) **LOC (7) Cl.** ..... **08-05**

(52) **U.S. Cl.** ..... **D8/349**

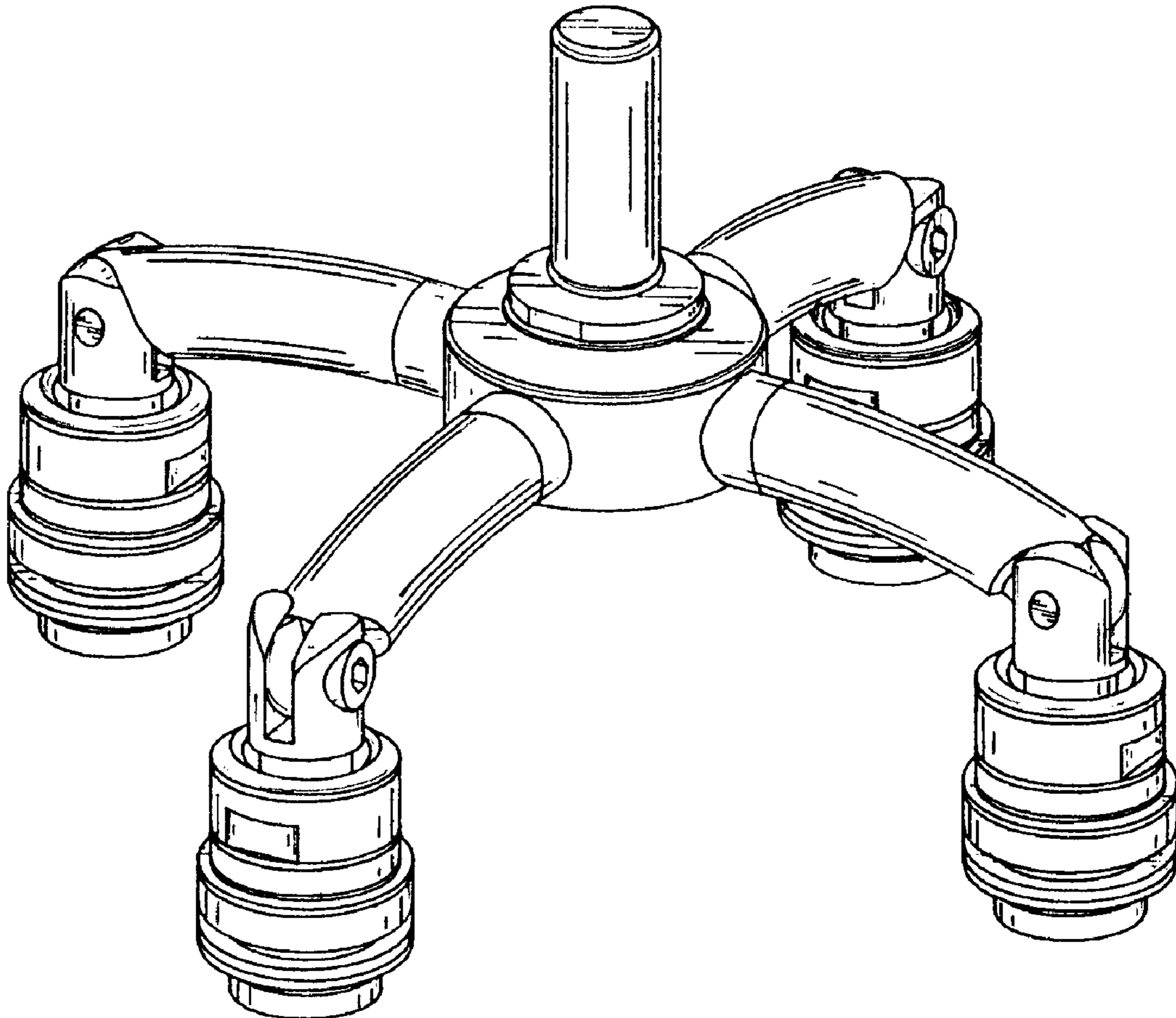
(58) **Field of Search** ..... D8/349, 354; 248/316.4, 248/229.12, 229.22; 16/111 R

(56) **References Cited**

**U.S. PATENT DOCUMENTS**

5,695,164 \* 12/1997 Hartman et al. .... 248/316.4

**1 Claim, 5 Drawing Sheets**



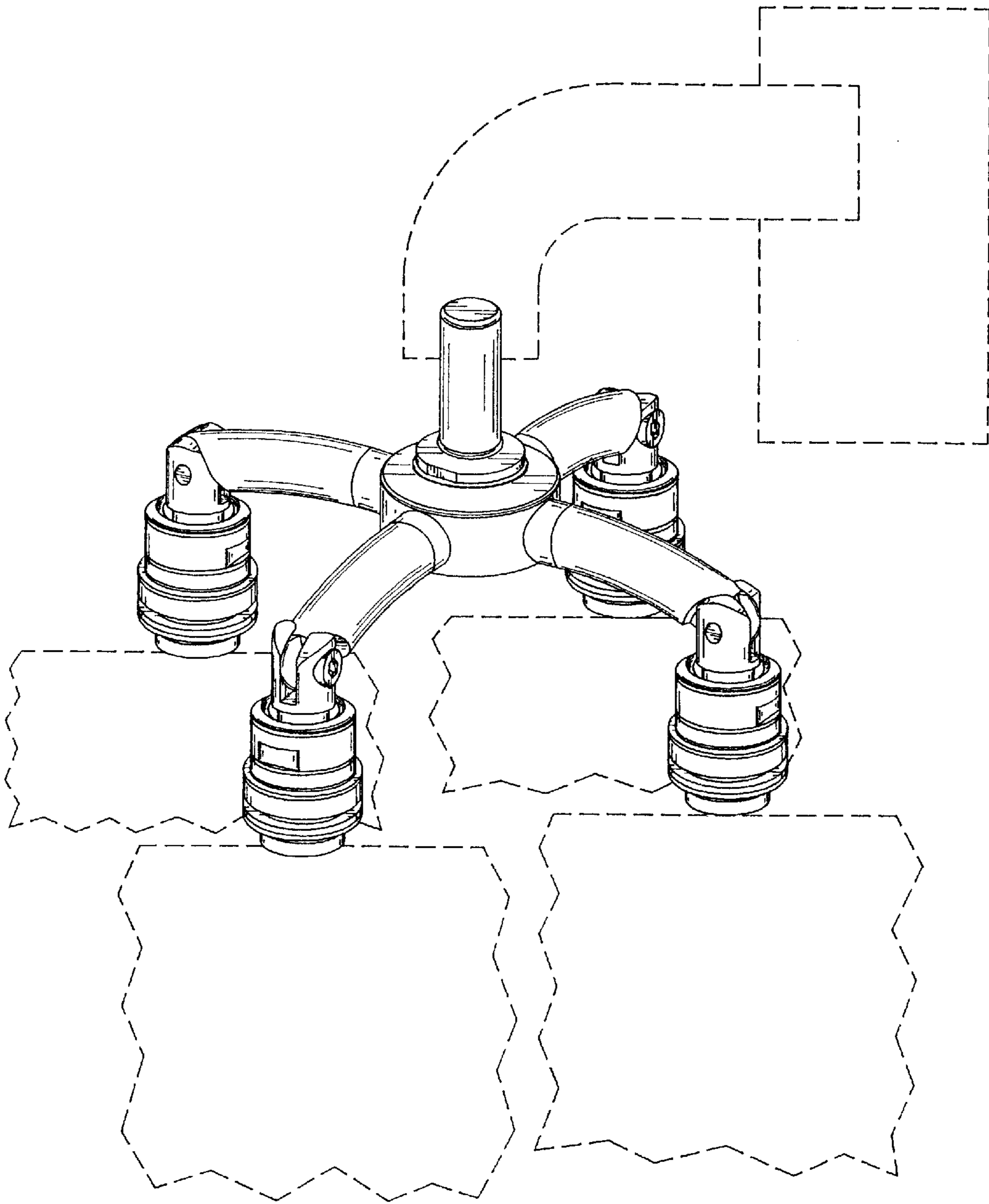


FIG. 1

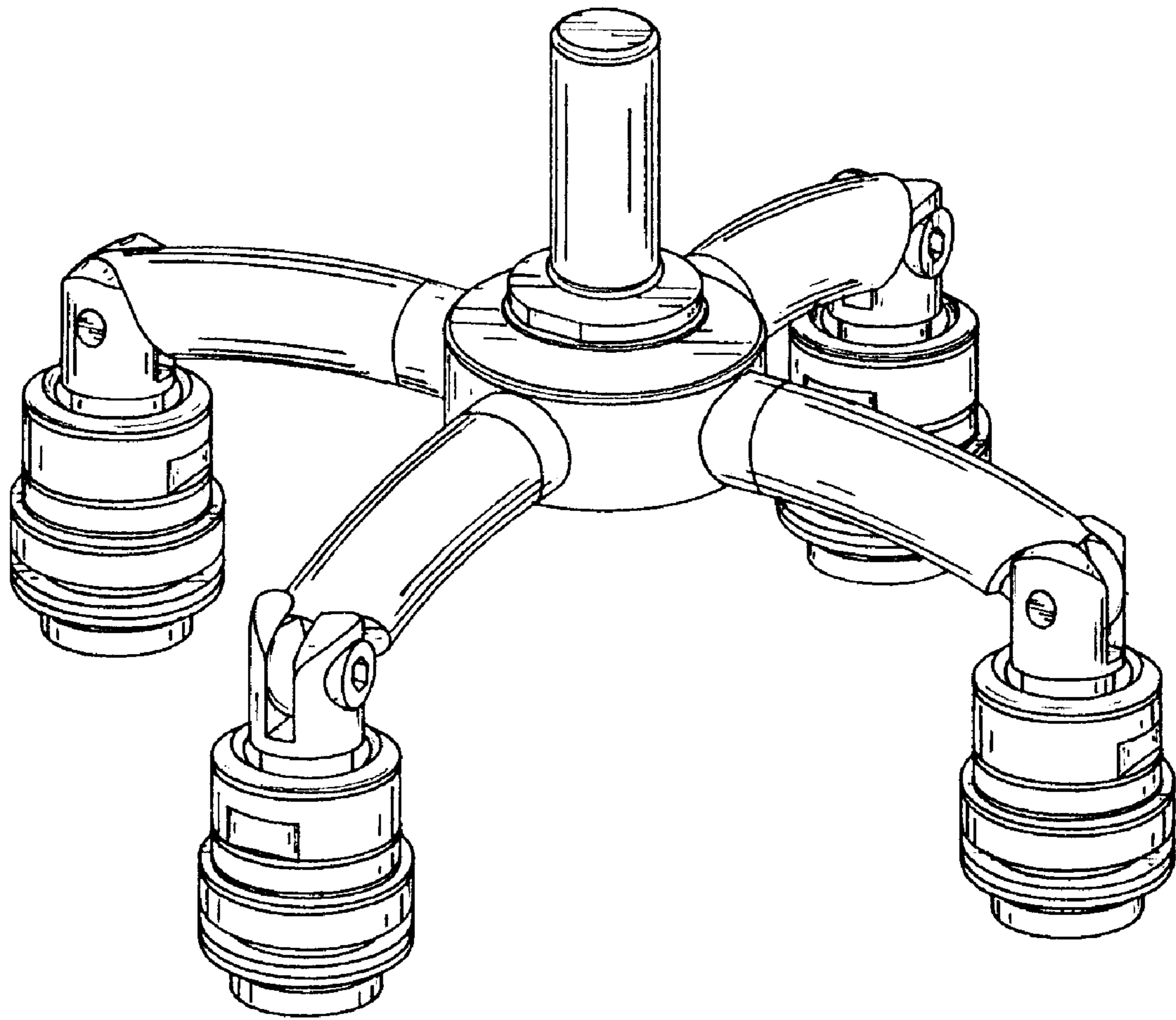


FIG. 2

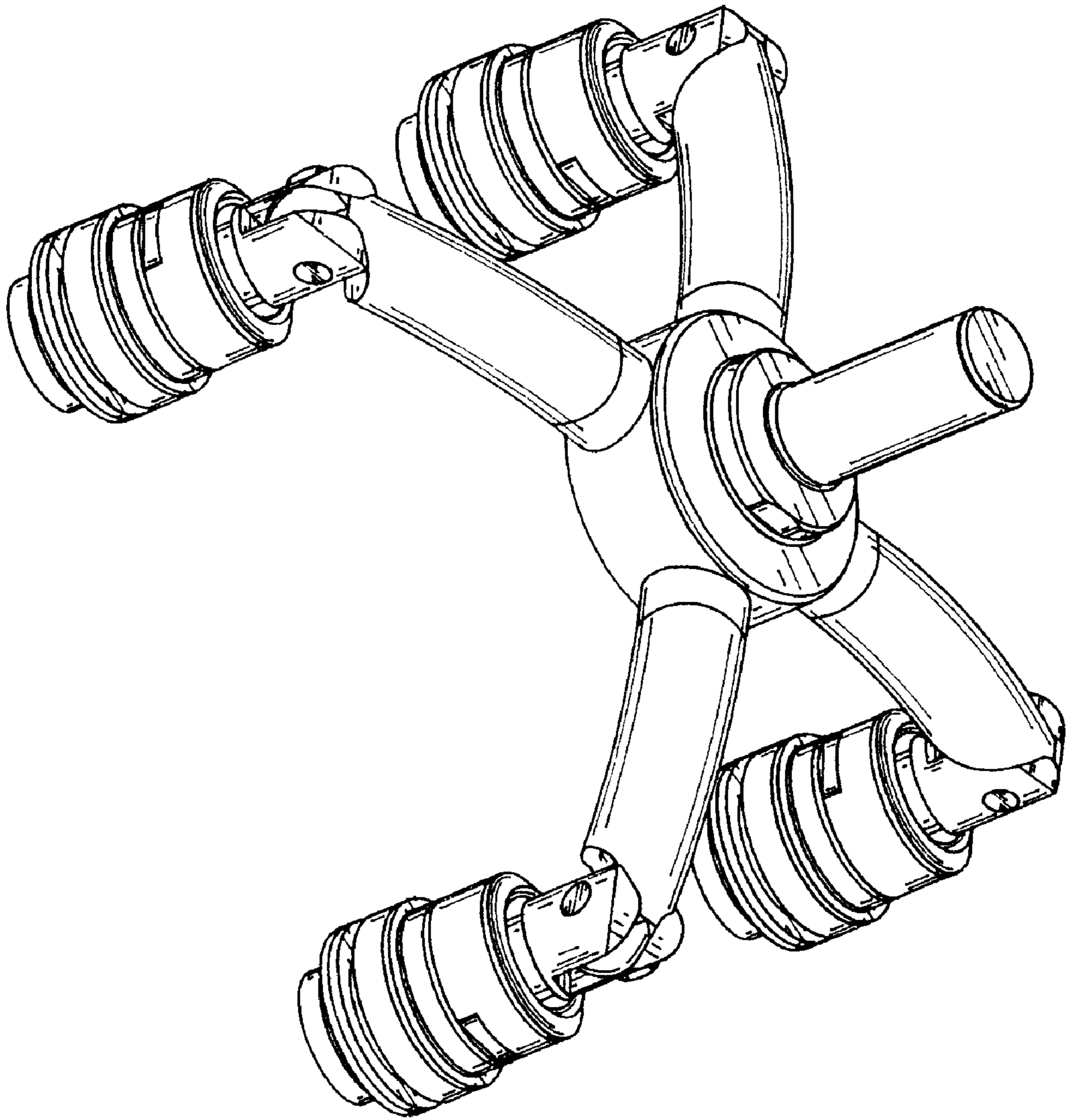


FIG. 3

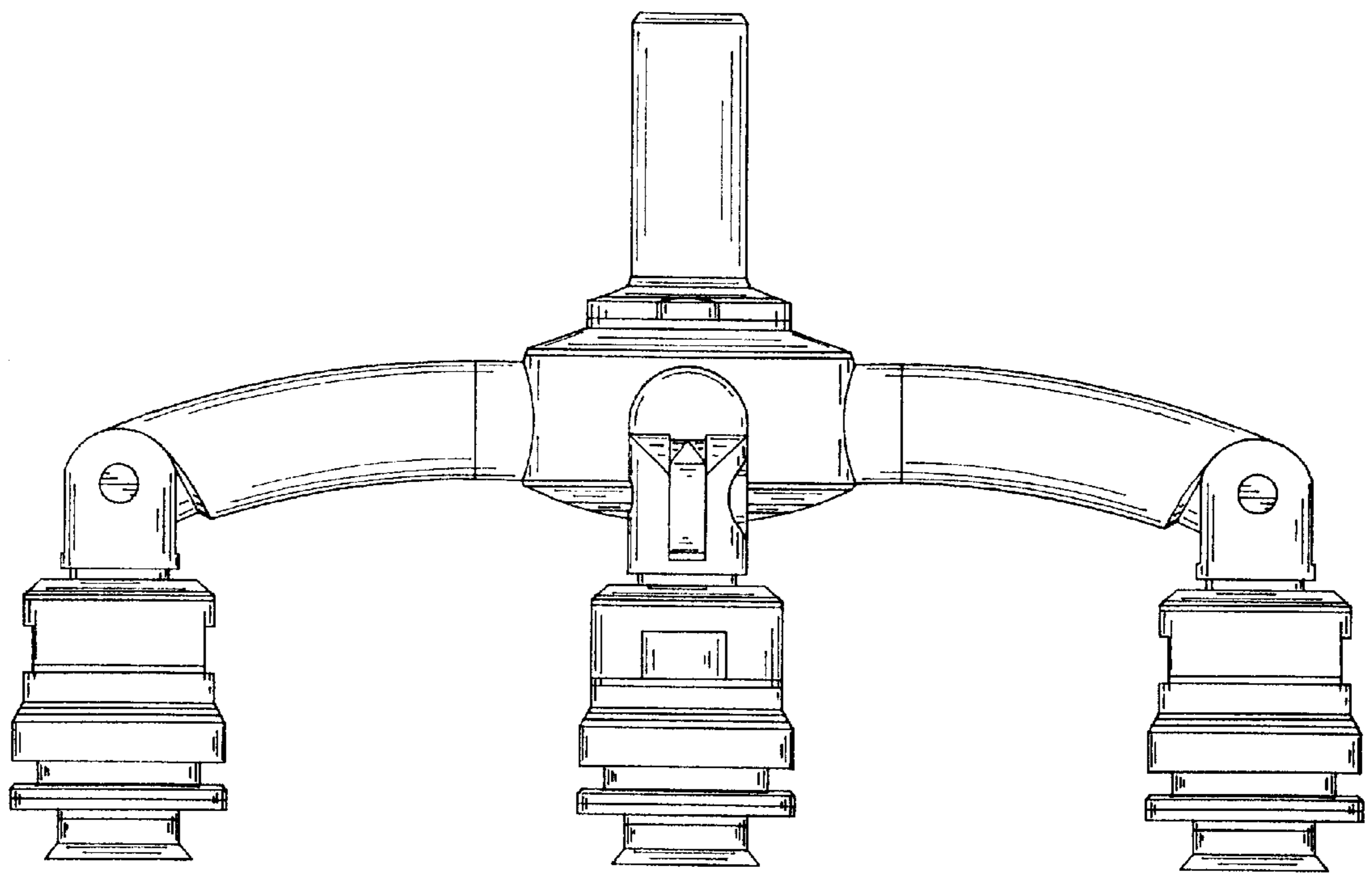


FIG. 4

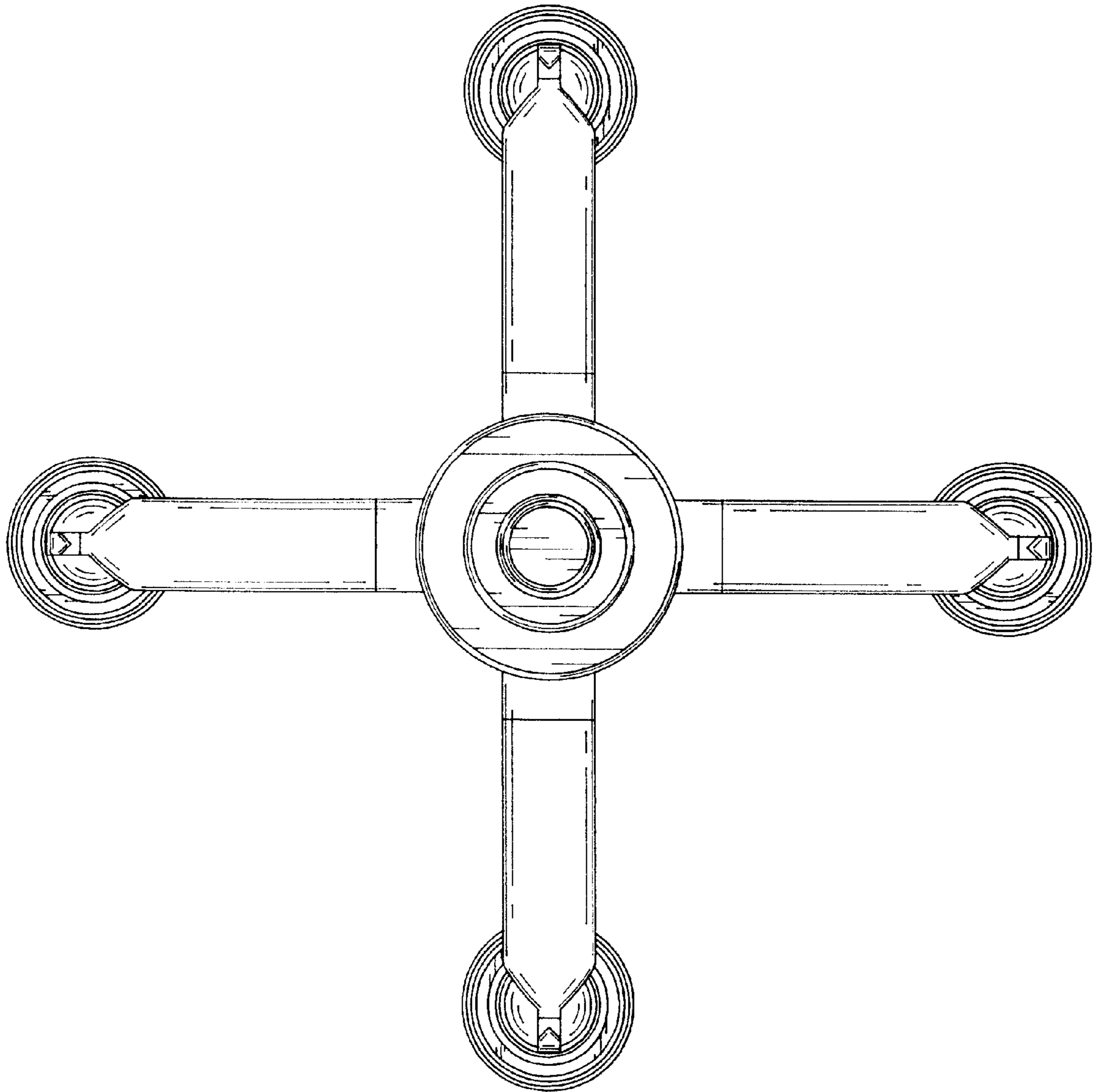


FIG. 5