



US00D439133S

(12) **United States Design Patent**
Hoyland

(10) **Patent No.:** **US D439,133 S**

(45) **Date of Patent:** **** Mar. 20, 2001**

(54) **ULTRA-SLIM LOCK**

D. 418,042 * 12/1999 Allen et al. D8/331

(76) **Inventor:** **Olaf Arne Hoyland**, 3495 Locust Rd.,
Decorah, IA (US) 52101

* cited by examiner

(**) **Term:** **14 Years**

Primary Examiner—Susan J. Lucas

Assistant Examiner—Jennifer Rivard

(74) *Attorney, Agent, or Firm*—Leydig, Voit & Mayer, Ltd.

(21) **Appl. No.:** **29/107,256**

(57) **CLAIM**

(22) **Filed:** **Jun. 30, 1999**

The ornamental design for an ultra-slim lock, as shown and described.

(51) **LOC (7) Cl.** **08-07**

(52) **U.S. Cl.** **D8/339; D8/331**

(58) **Field of Search** D8/330, 331, 339;
292/11; 70/14, 31, 32, 33

DESCRIPTION

FIG. 1 is a front and top perspective view of an ultra-slim lock showing my new design;

FIG. 2 is an exploded open view of the lock in FIG. 1;

FIG. 3 is a back and bottom view of the lock in FIG. 1;

FIG. 4 is an exploded open view thereof;

FIG. 5 is an inner-end view of the catch portion thereof; and,

FIG. 6 is an inner-end view of the locking portion thereof.

(56) **References Cited**

U.S. PATENT DOCUMENTS

D. 345,902 * 4/1994 Yung-Ghang D8/330

D. 371,503 * 7/1996 Nakano D8/331

1 Claim, 2 Drawing Sheets

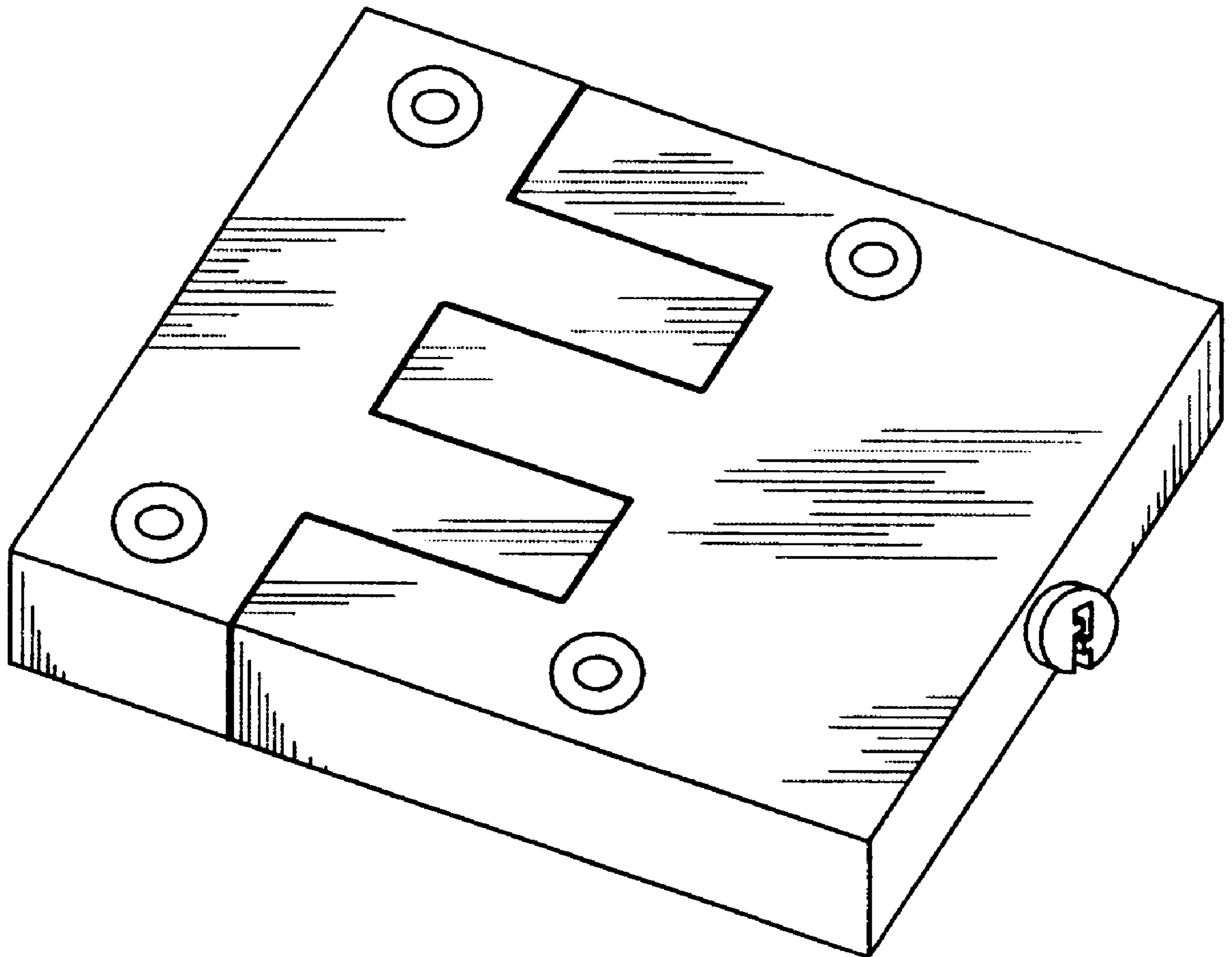


Fig. 1

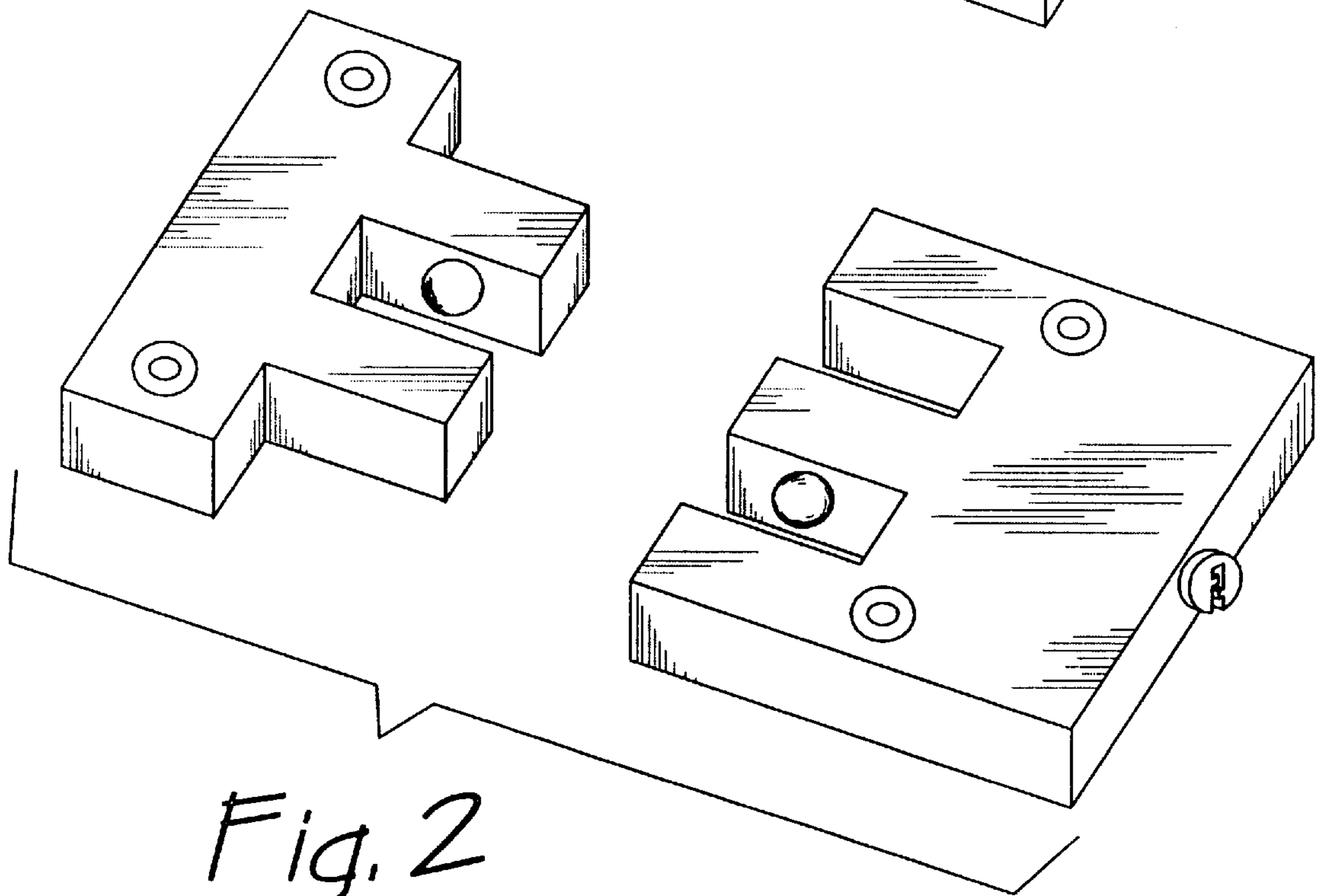
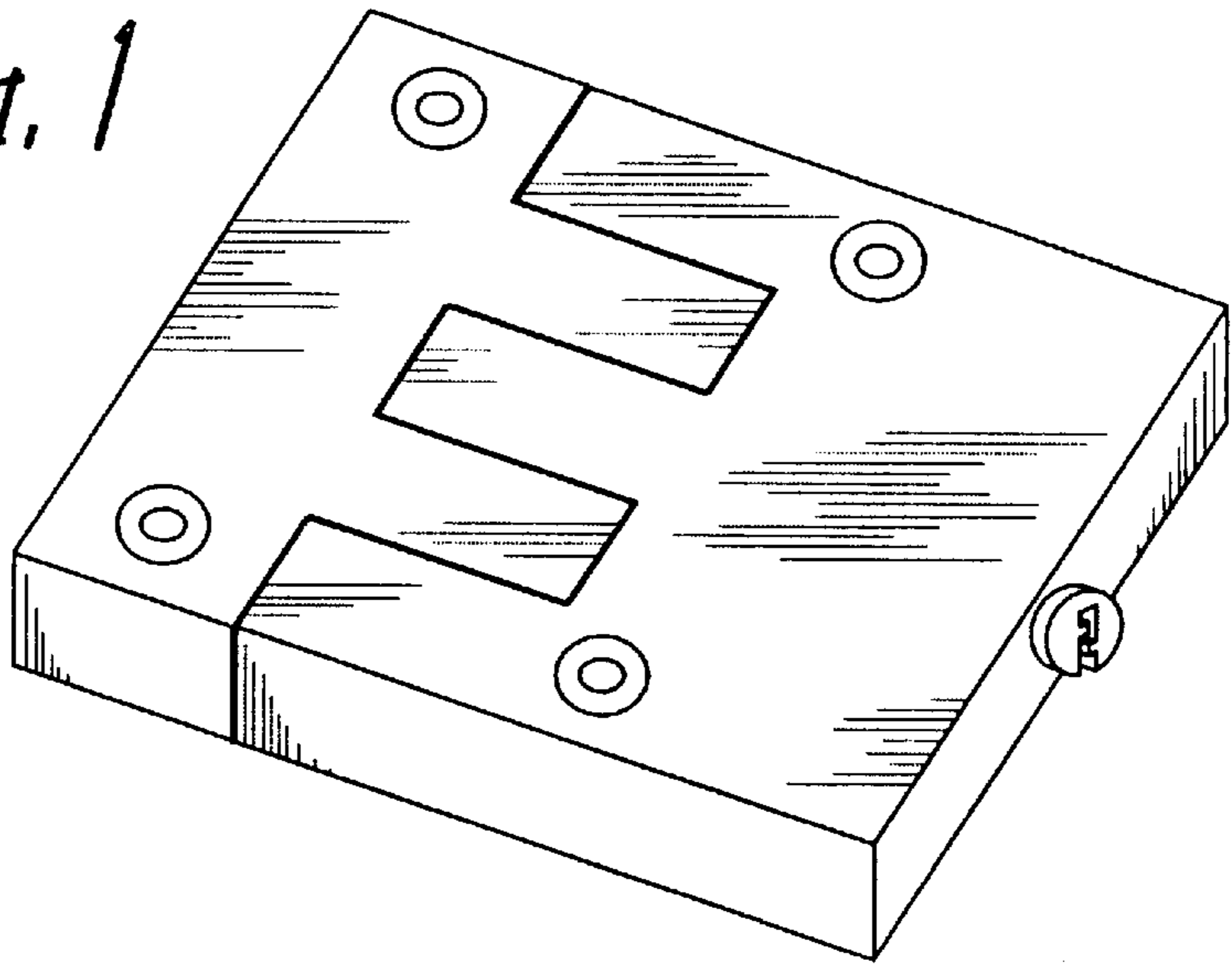


Fig. 2

Fig. 3

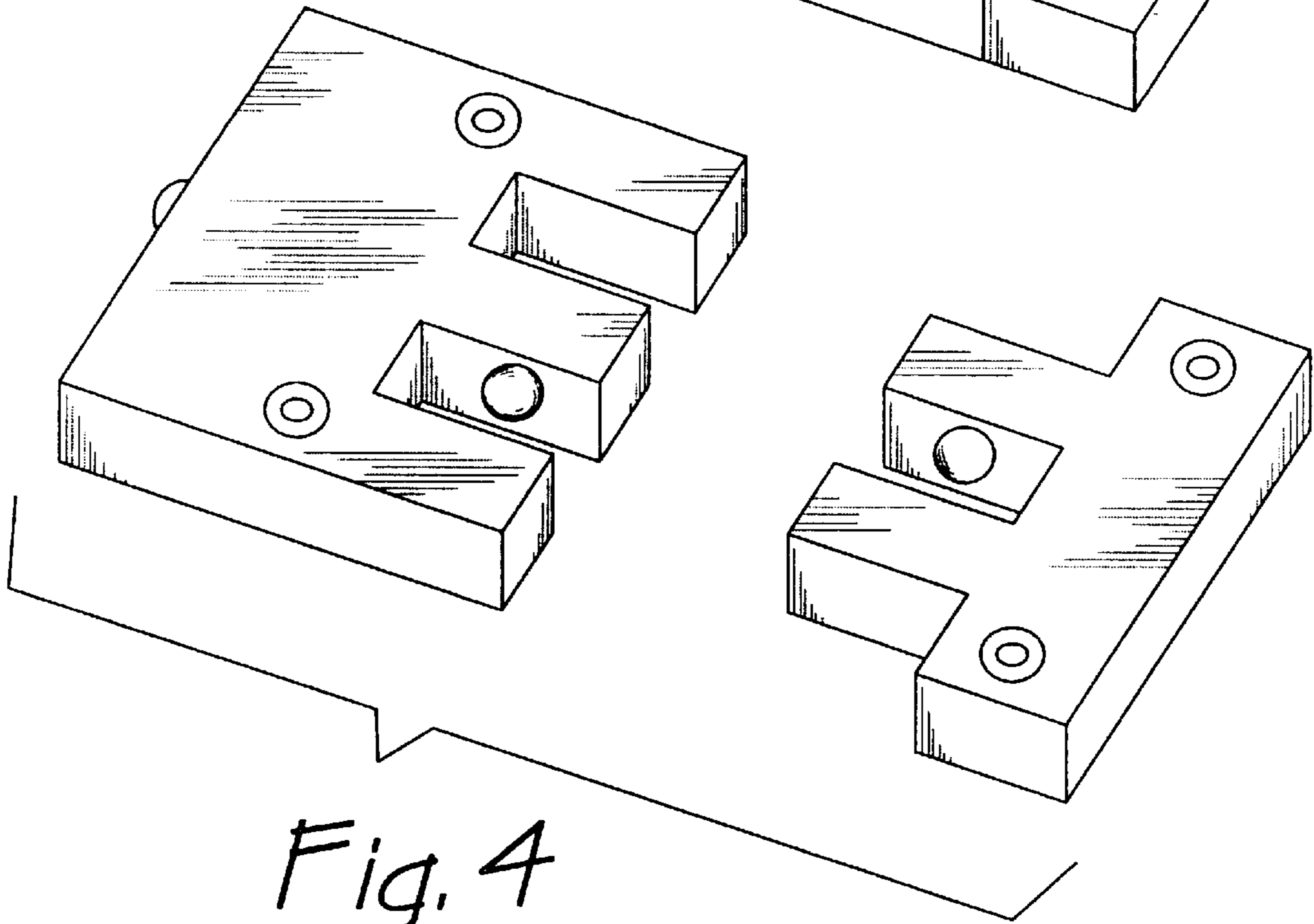
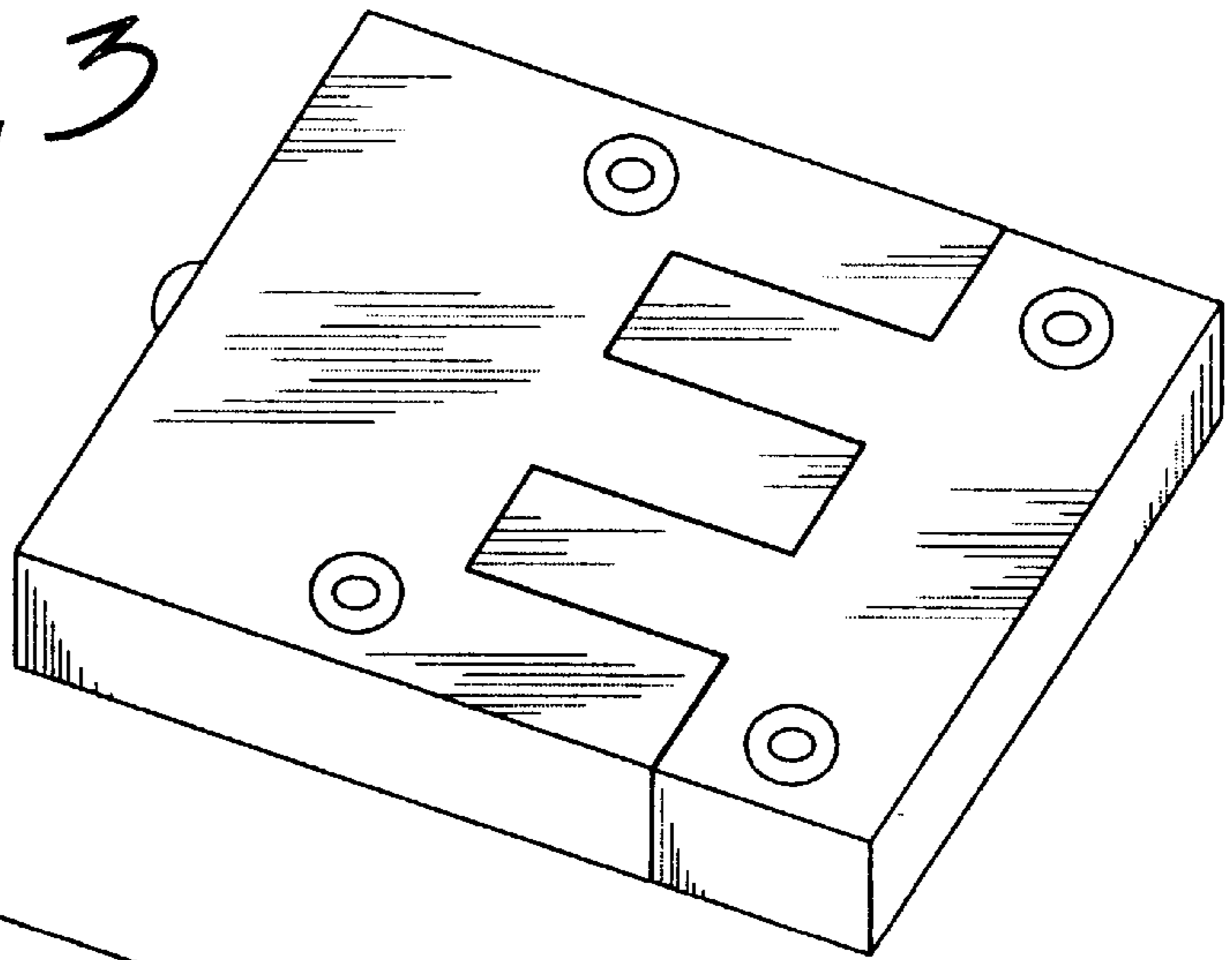


Fig. 4

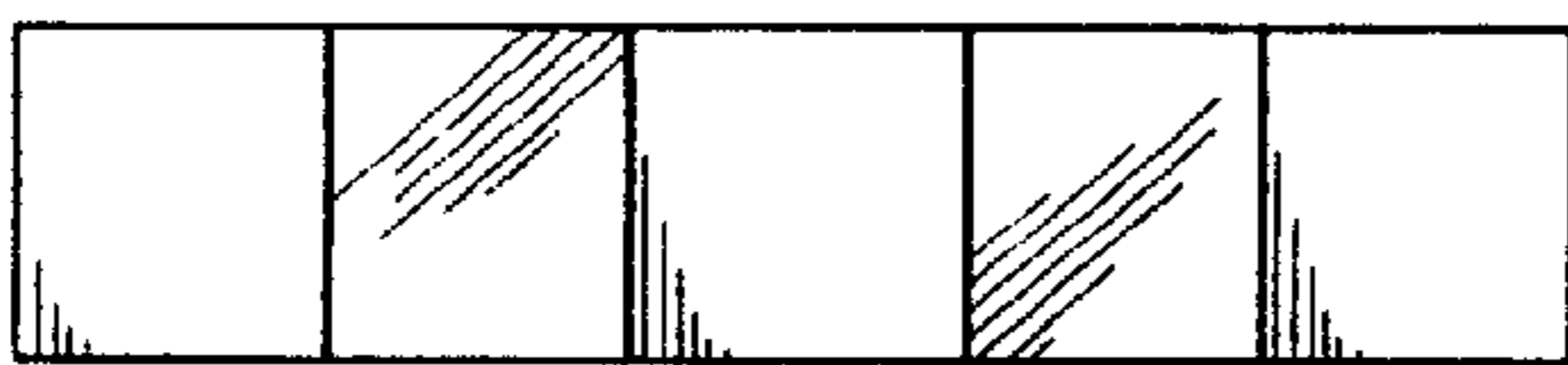


Fig. 5



Fig. 6