



US00D439130S

(12) **United States Design Patent**  
**Ford et al.**

(10) **Patent No.:** **US D439,130 S**

(45) **Date of Patent:** **\*\* Mar. 20, 2001**

(54) **HINGE**

4,819,299 \* 4/1989 Holan ..... 16/296  
4,823,438 \* 4/1989 Roloff ..... 16/307

(75) Inventors: **James J. Ford**, West Chester; **Charles R. Scally**, Warminster; **Edward A. Kurek, III**, North Wales; **David M. Fusina**, West Chester, all of PA (US); **Mark P. Reil**; **Peter B. Caratzas**, both of Troy, NY (US); **Gary Fellows**, Naples, NY (US)

**OTHER PUBLICATIONS**

Southco, Inc. Catalog No. 48 NA, 1998, p. M-6 and M-7.  
Pinet Handbook, p. 175 (undated).

\* cited by examiner

*Primary Examiner*—B. J. Bullock

(74) *Attorney, Agent, or Firm*—Paul and Paul

(73) Assignee: **Southco, Inc.**, Concordville, PA (US)

(\*\*) Term: **14 Years**

(57) **CLAIM**

The ornamental design for a hinge, as shown and described.

(21) Appl. No.: **29/118,211**

**DESCRIPTION**

(22) Filed: **Feb. 4, 2000**

**Related U.S. Application Data**

(63) Continuation-in-part of application No. 29/110,139, filed on Aug. 31, 1999.

(51) **LOC (7) Cl.** ..... **08-06**

(52) **U.S. Cl.** ..... **D8/329**

(58) **Field of Search** ..... D8/323, 327, 328,  
D8/329; 16/221, 229, 256, 262, 295, 296,  
304, 307, 386, 230, 306, 308, 318, 379,  
390

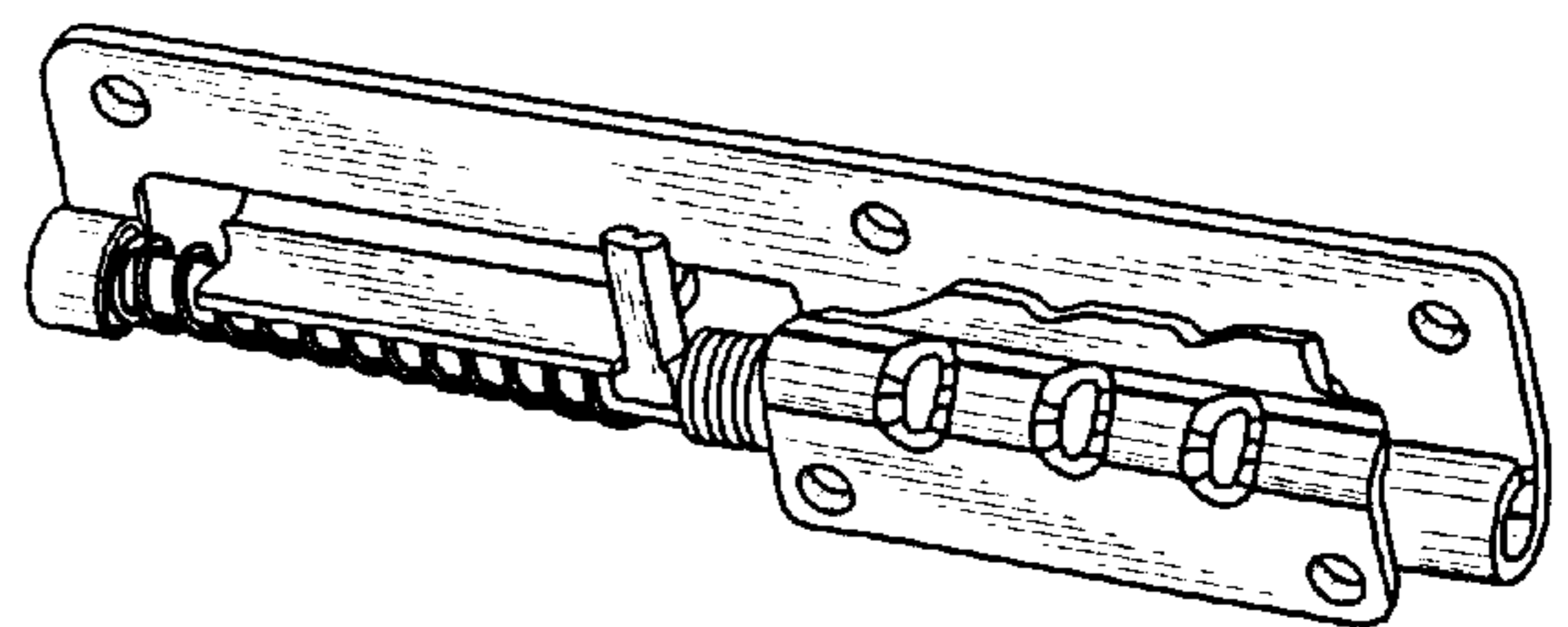
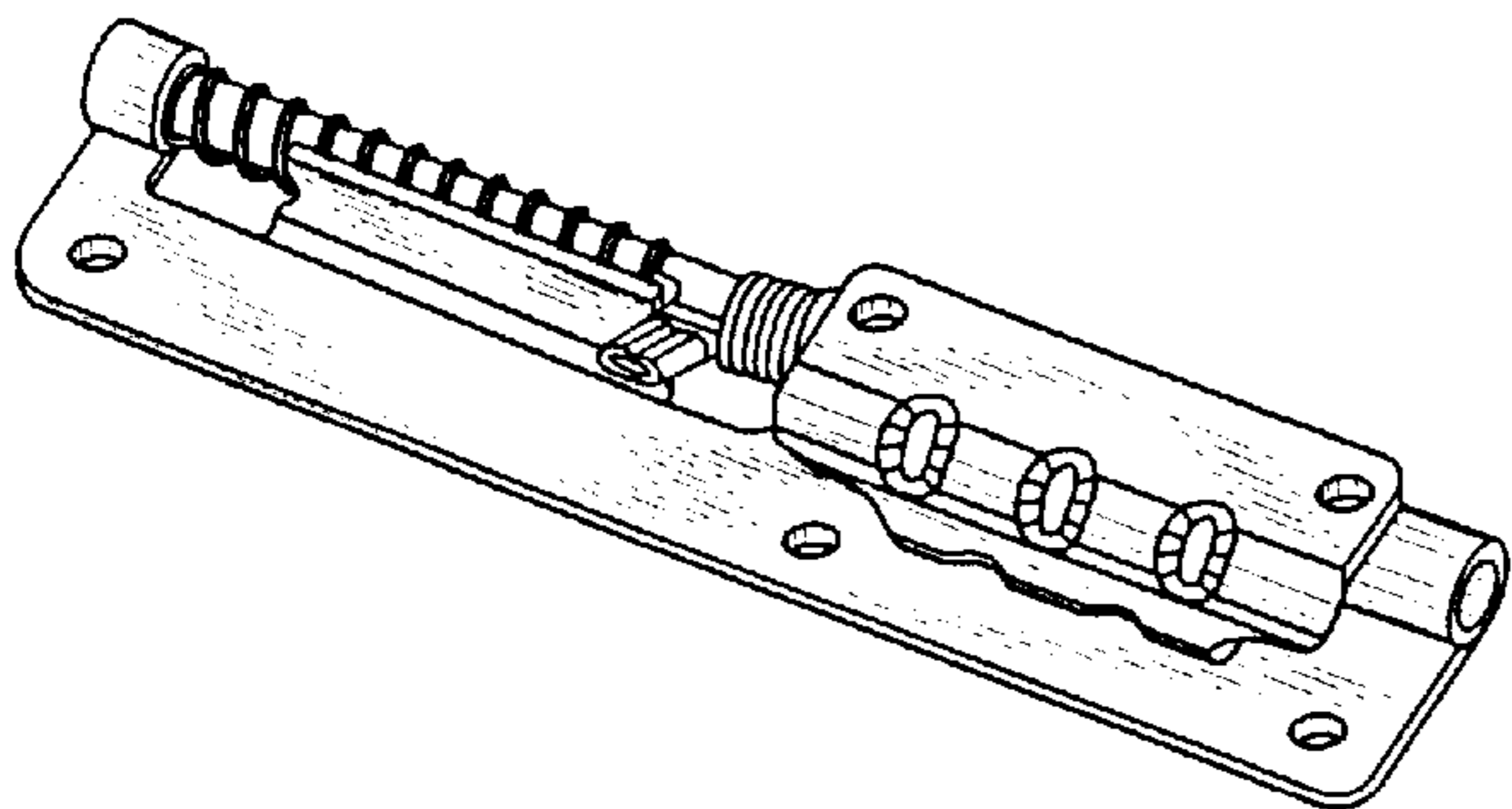
FIG. 1 is a partially, exploded perspective view of a first embodiment of a hinge according to our new design; FIG. 2 is a perspective view of the hinge of FIG. 1; FIG. 3 is a front view of the hinge of FIG. 1; FIG. 4 is a right side view of the hinge of FIG. 1; FIG. 5 is a bottom view of the hinge of FIG. 1; FIG. 6 is a left side view of the hinge of FIG. 1; FIG. 7 is a back view of the hinge of FIG. 1; FIG. 8 is a top view of the hinge of FIG. 1; FIG. 9 is a partially, exploded perspective view of a second embodiment of a hinge according to our new design; FIG. 10 is a perspective view of the hinge of FIG. 9; FIG. 11 is a front view of the hinge of FIG. 9; FIG. 12 is a right side view of the hinge of FIG. 9; FIG. 13 is a bottom view of the hinge of FIG. 9; FIG. 14 is a left side view of the hinge of FIG. 9; FIG. 15 is a back view of the hinge of FIG. 9; and, FIG. 16 is a top view of the hinge of FIG. 9.

(56) **References Cited**

**U.S. PATENT DOCUMENTS**

197,801 \* 12/1877 Schweinfurt .  
721,641 \* 2/1903 Whitehead .  
1,429,416 \* 9/1922 Fade .  
2,186,789 \* 1/1940 Rosenberg .

**1 Claim, 4 Drawing Sheets**



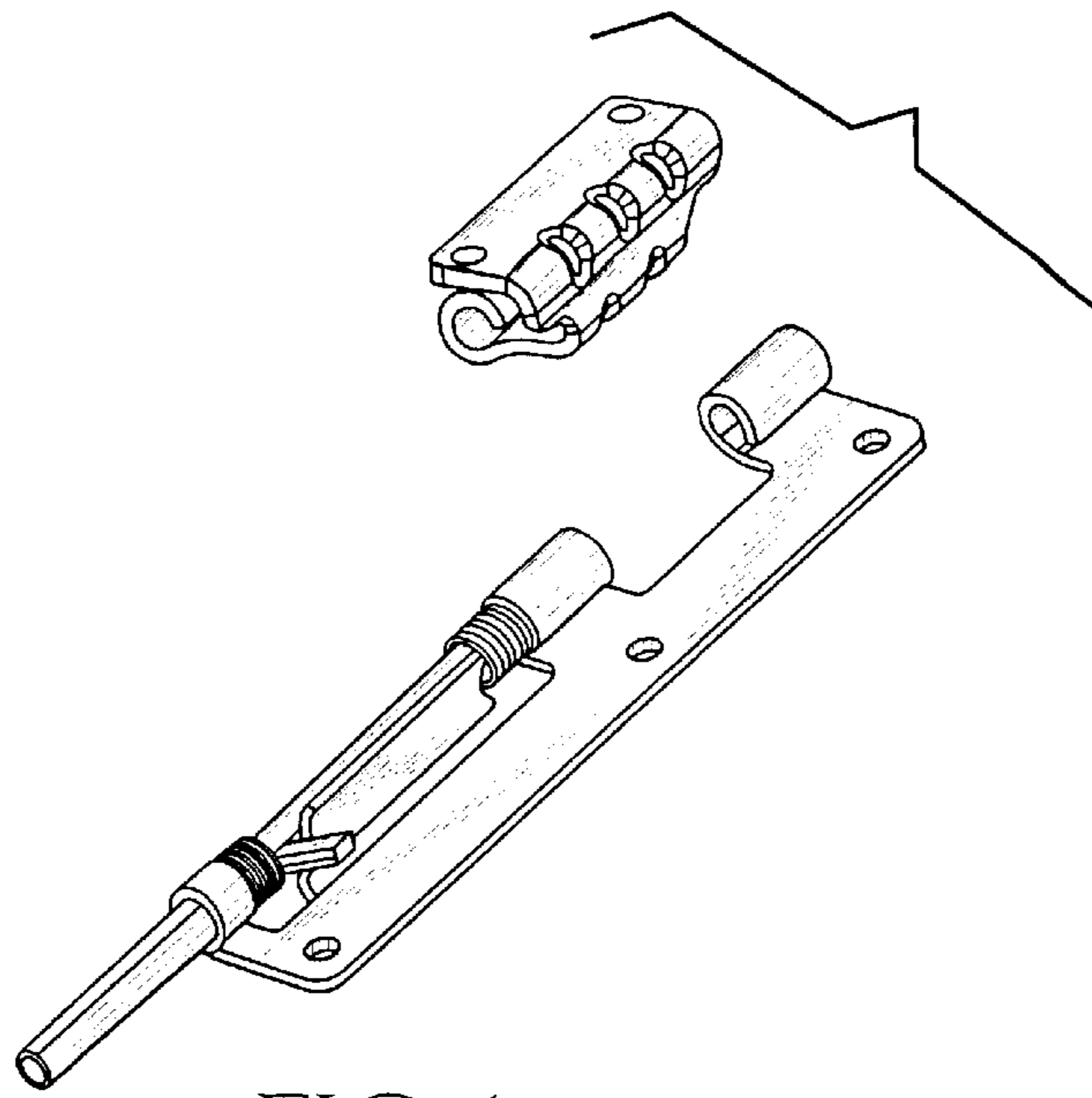


FIG. 1

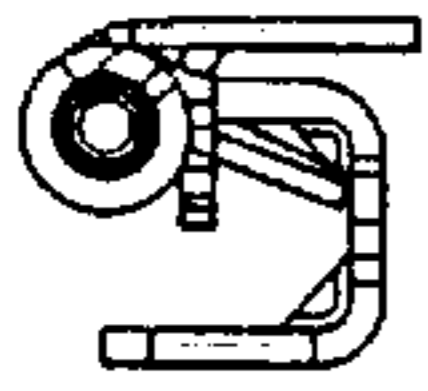


FIG. 4

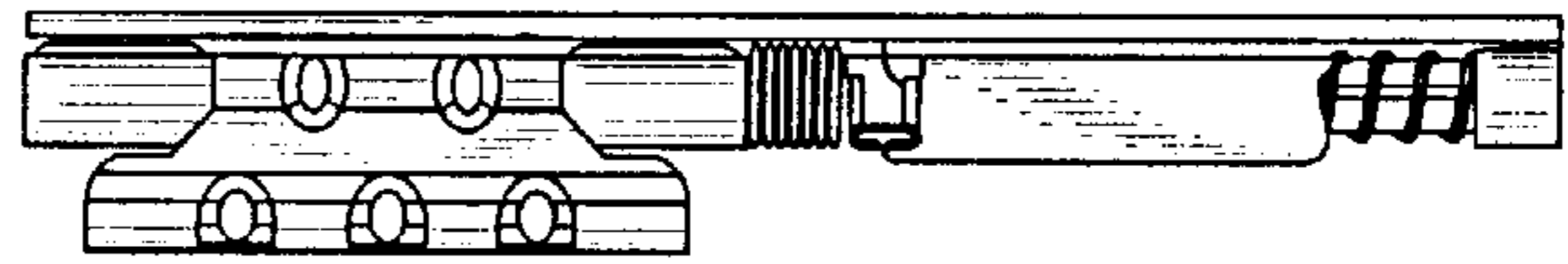


FIG. 3

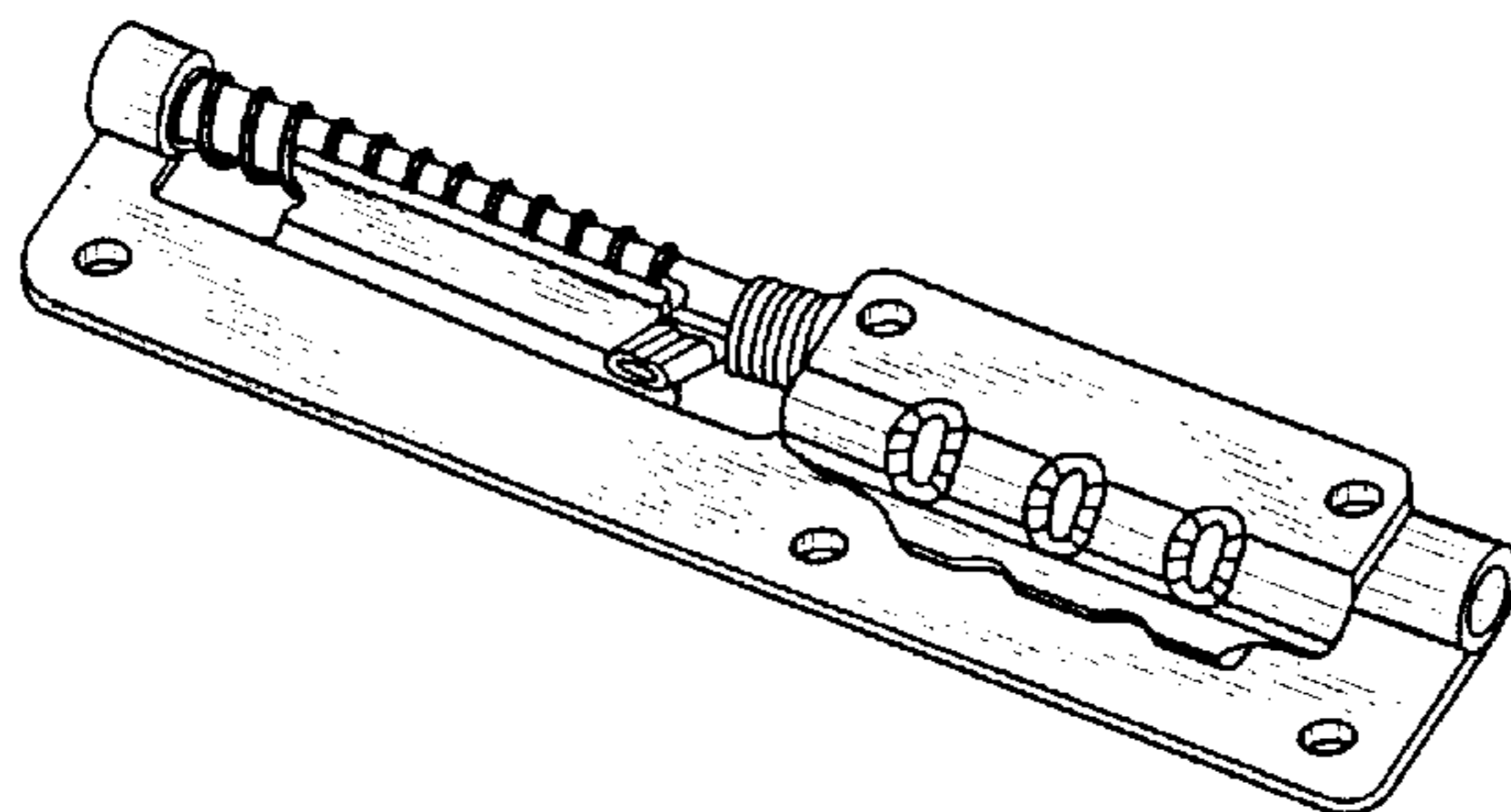


FIG. 2

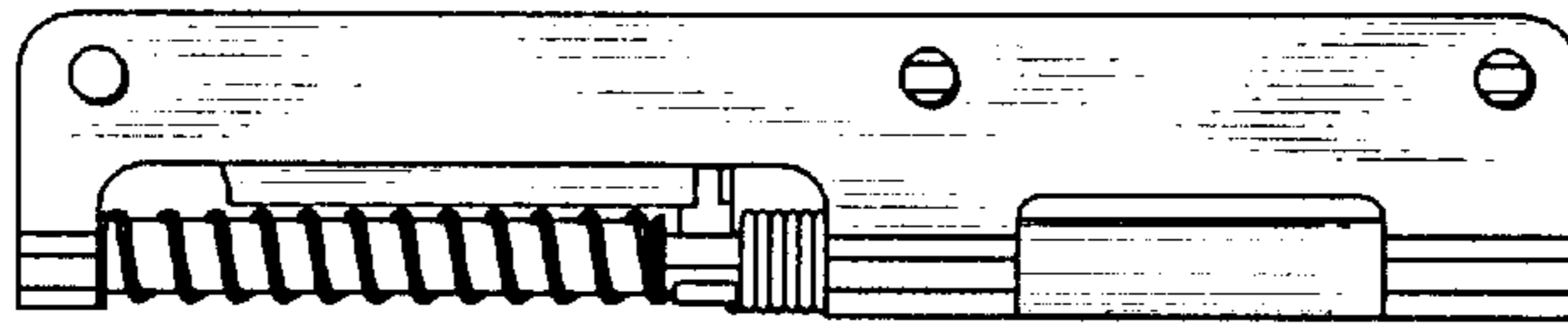


FIG. 5

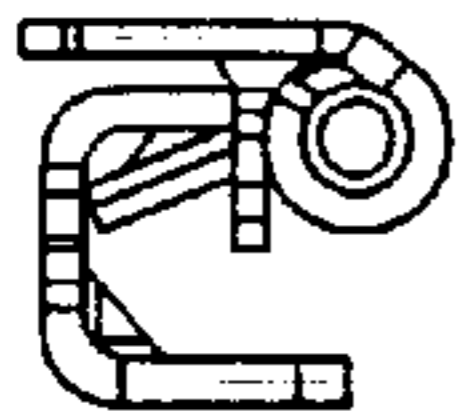


FIG. 6

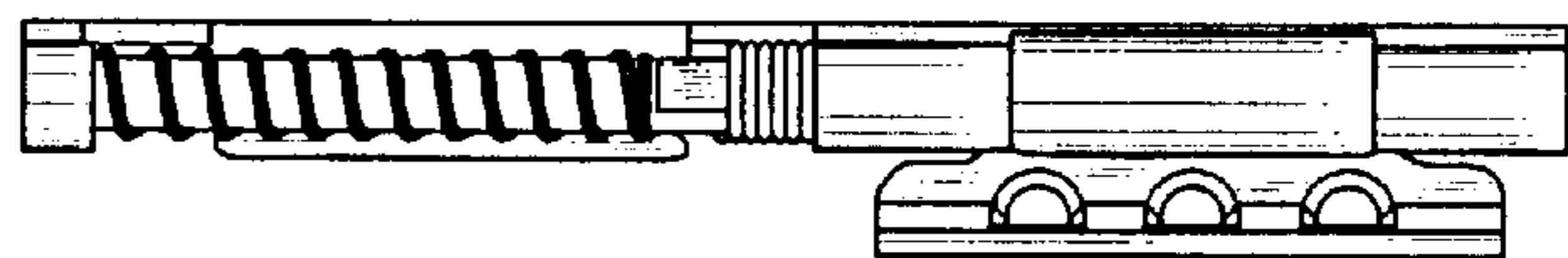


FIG. 7

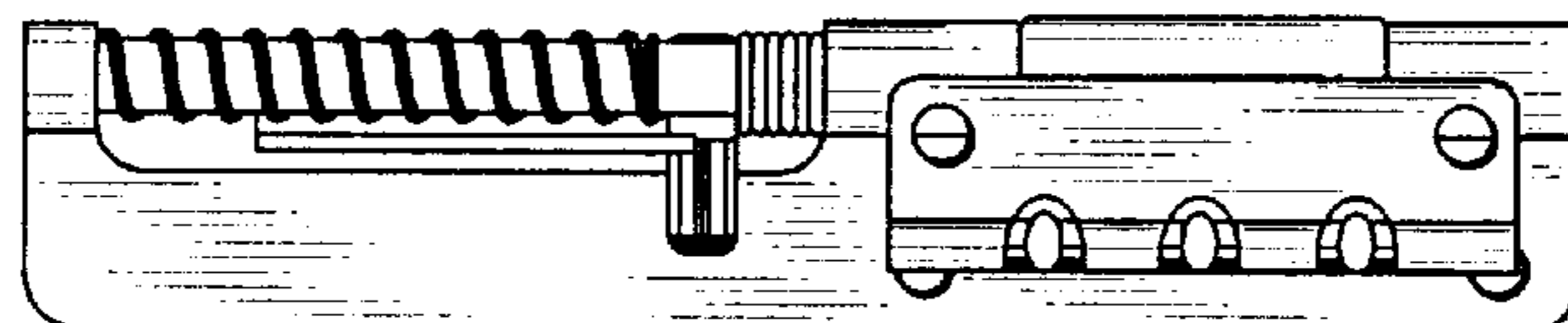


FIG. 8

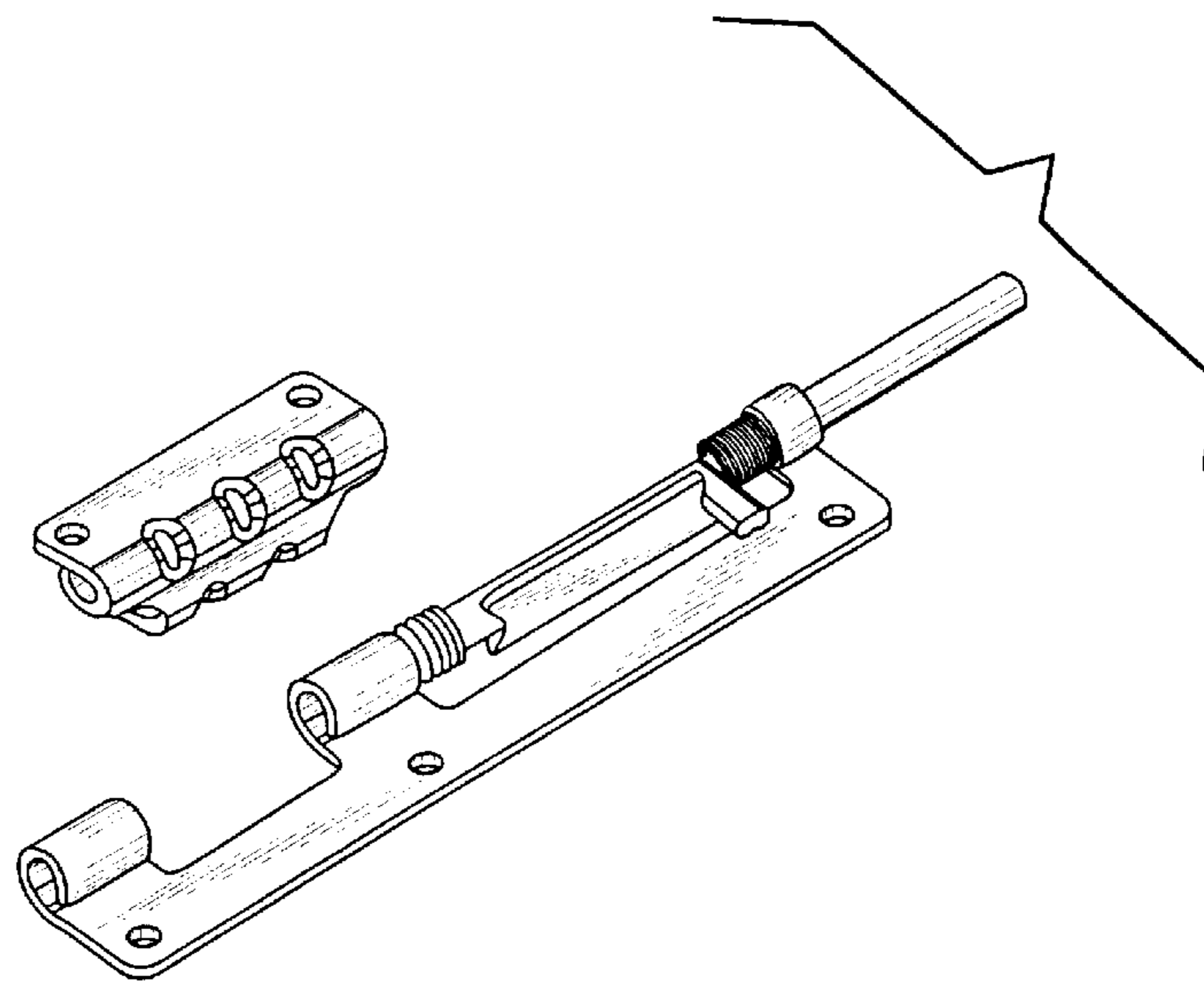


FIG. 9

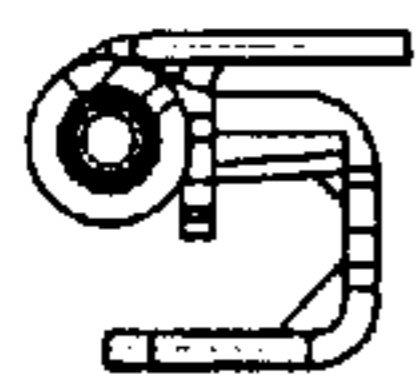


FIG. 12

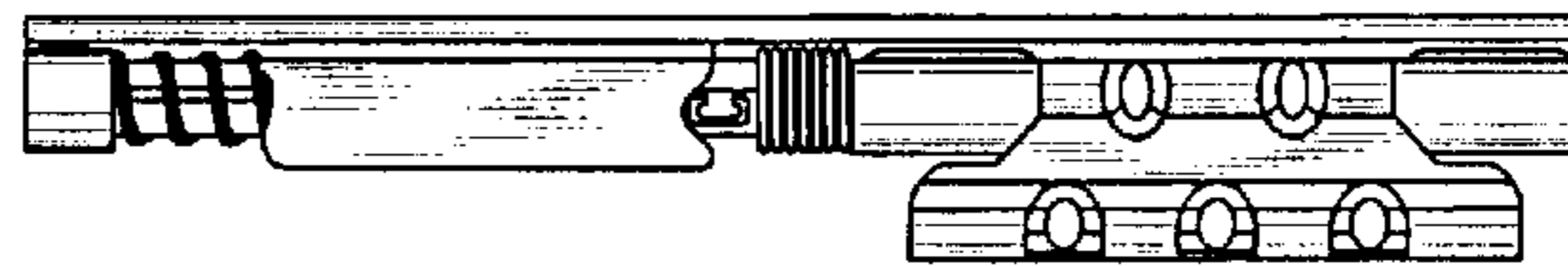


FIG. 11

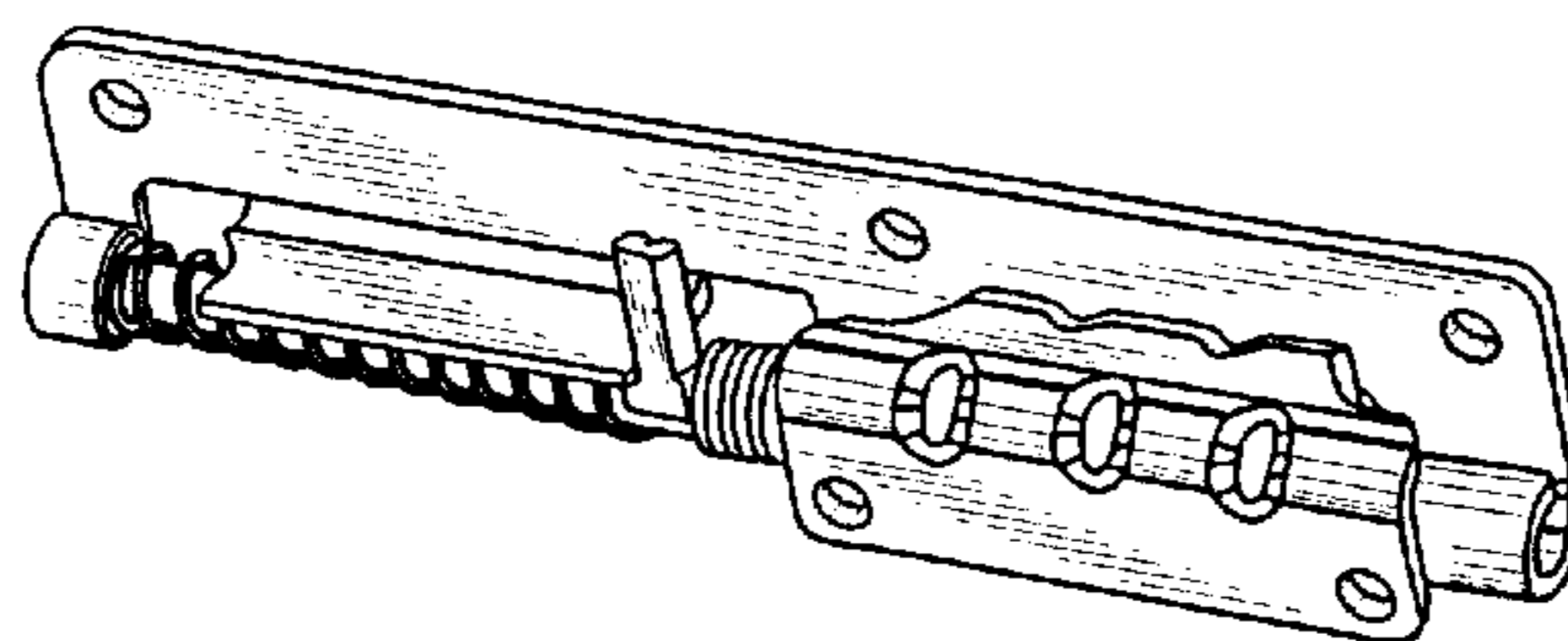


FIG. 10

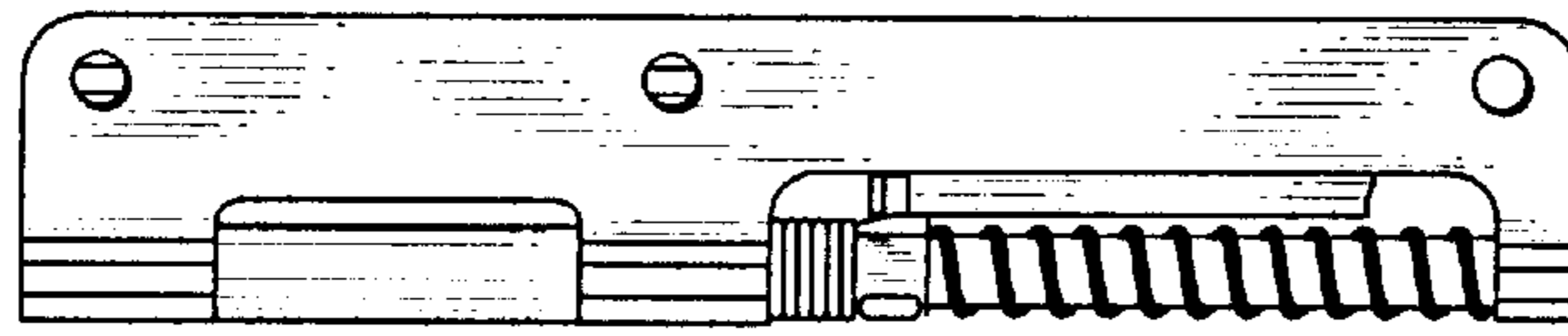


FIG. 13

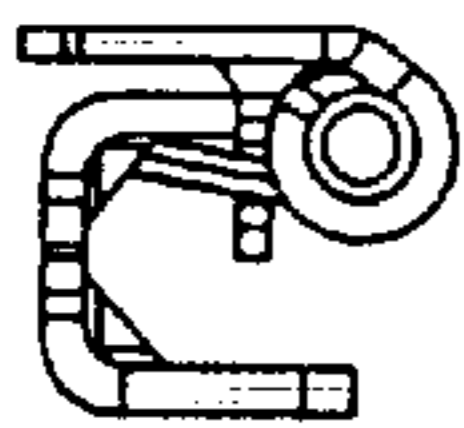


FIG. 14

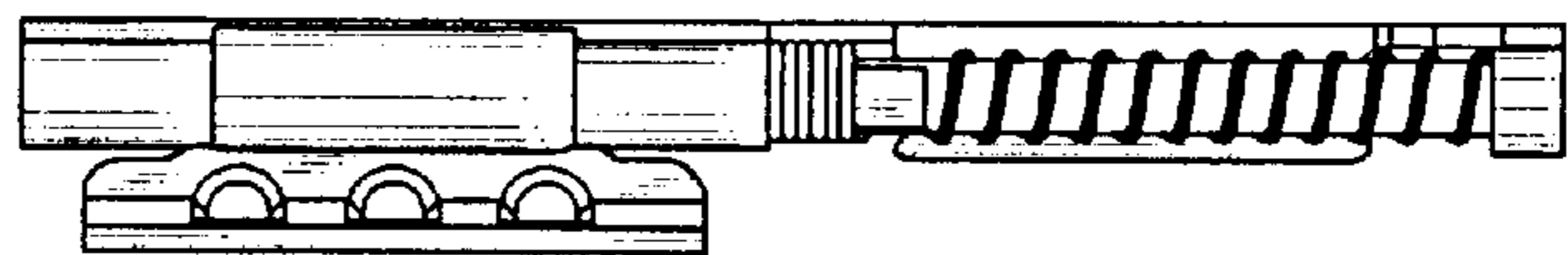


FIG. 15

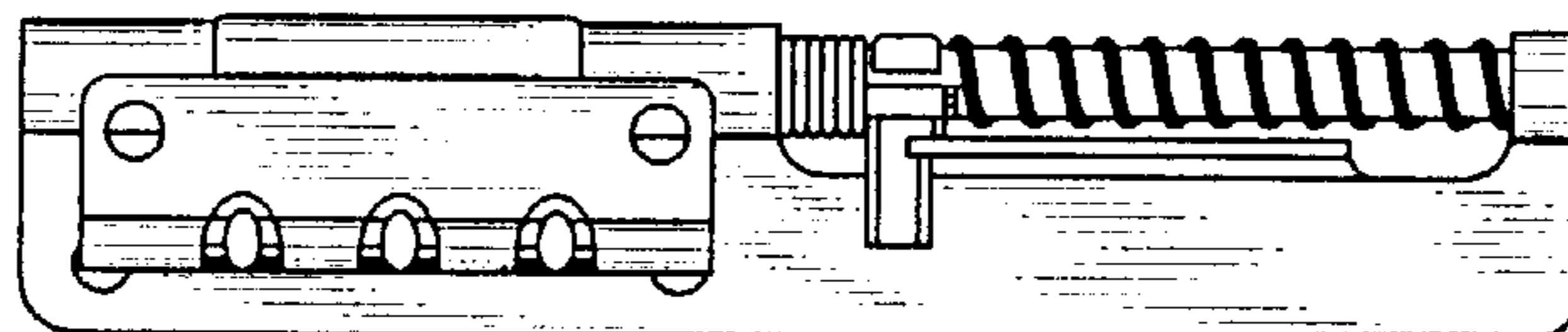


FIG. 16