



US00D439129S

(12) **United States Design Patent**
Chen

(10) **Patent No.:** **US D439,129 S**

(45) **Date of Patent:** **** Mar. 20, 2001**

(54) **TOOL HANDLE**

(76) **Inventor:** **Lung Chih Chen**, No. 108-24, Chong
Chin Road, Bei Tun Chu, Taichung
(TW), 406

(**) **Term:** **14 Years**

(21) **Appl. No.:** **29/119,650**

(22) **Filed:** **Mar. 2, 2000**

(51) **LOC (7) Cl.** **08-05**

(52) **U.S. Cl.** **D8/107**

(58) **Field of Search** D8/14, 45, 47,
D8/51, 82, 83, 94, 97, 107, 300, 303, 315,
DIG. 7, DIG. 8; 16/110.1, 421, 422, 430,
431, DIG. 12, DIG. 18, DIG. 19; 15/105.5,
235.4; 81/52, 177.1, 436, 489; D7/393,
395, 401.2

(56) **References Cited**

U.S. PATENT DOCUMENTS

- D. 132,890 * 6/1942 Brabham D8/45
- D. 331,177 * 11/1992 Musselman D8/14
- D. 411,077 * 6/1999 Kwok D7/395
- D. 422,474 * 4/2000 Shiao D8/83

- 1,550,296 * 8/1925 Weiland 15/235.4
- 5,392,484 * 2/1995 Stoltzfus D8/45
- 5,967,006 * 10/1999 Hillinger 81/177.1

* cited by examiner

Primary Examiner—Alan P. Douglas

Assistant Examiner—Reid Hecker

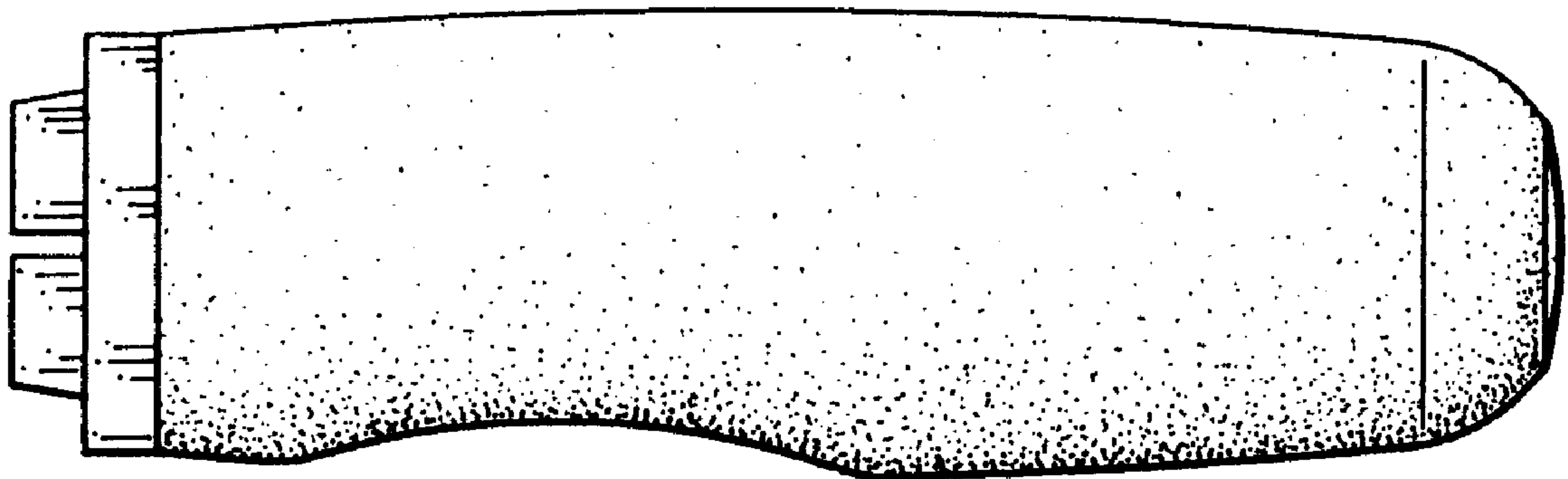
(57) **CLAIM**

The ornamental design for a tool handle, as shown and described.

DESCRIPTION

FIG. 1 is a perspective view of a tool handle showing my new design;
 FIG. 2 is a front elevational view thereof;
 FIG. 3 is a rear elevational view thereof;
 FIG. 4 is a top plan view thereof;
 FIG. 5 is a bottom plan view thereof;
 FIG. 6 is a left side elevational view thereof;
 FIG. 7 is a right side elevational view thereof; and,
 FIGS. 8 and 9 are perspective views embodying the utilization of my new design, the tool members depicted by means of broken lines being for illustrative purposes only and forming no part of the claimed design.

1 Claim, 4 Drawing Sheets



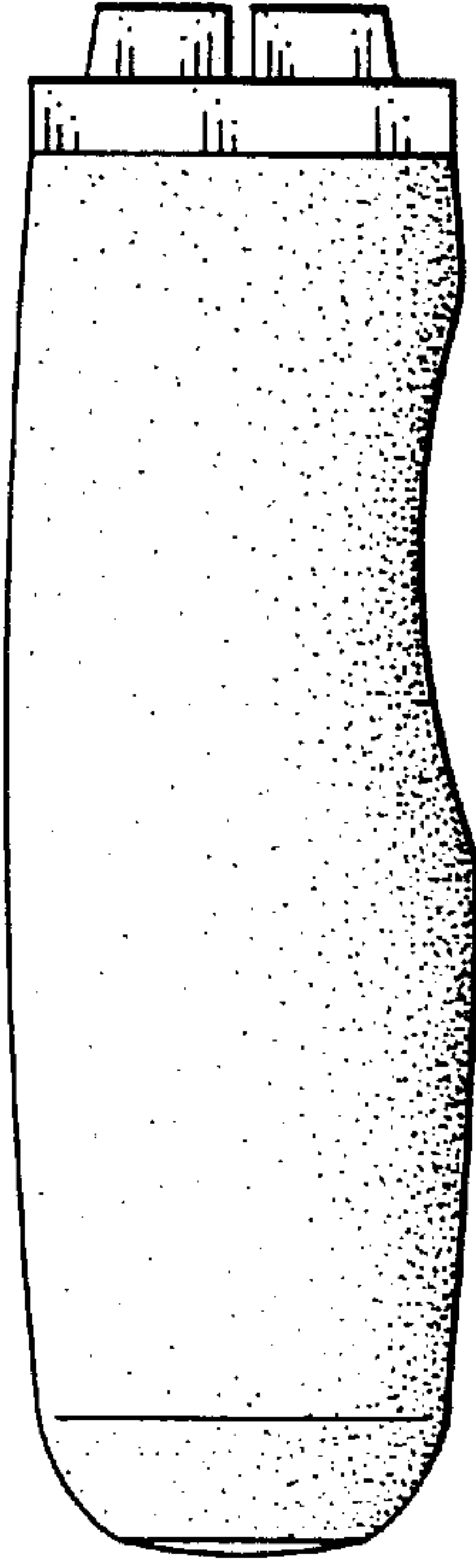


FIG. 3

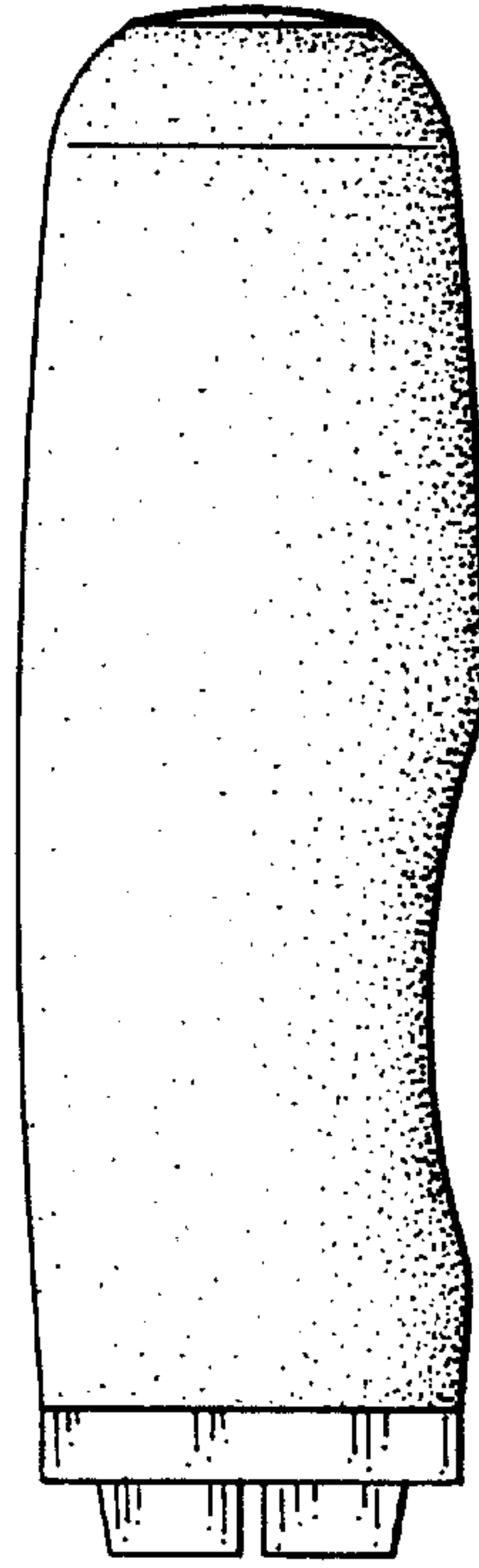


FIG. 2

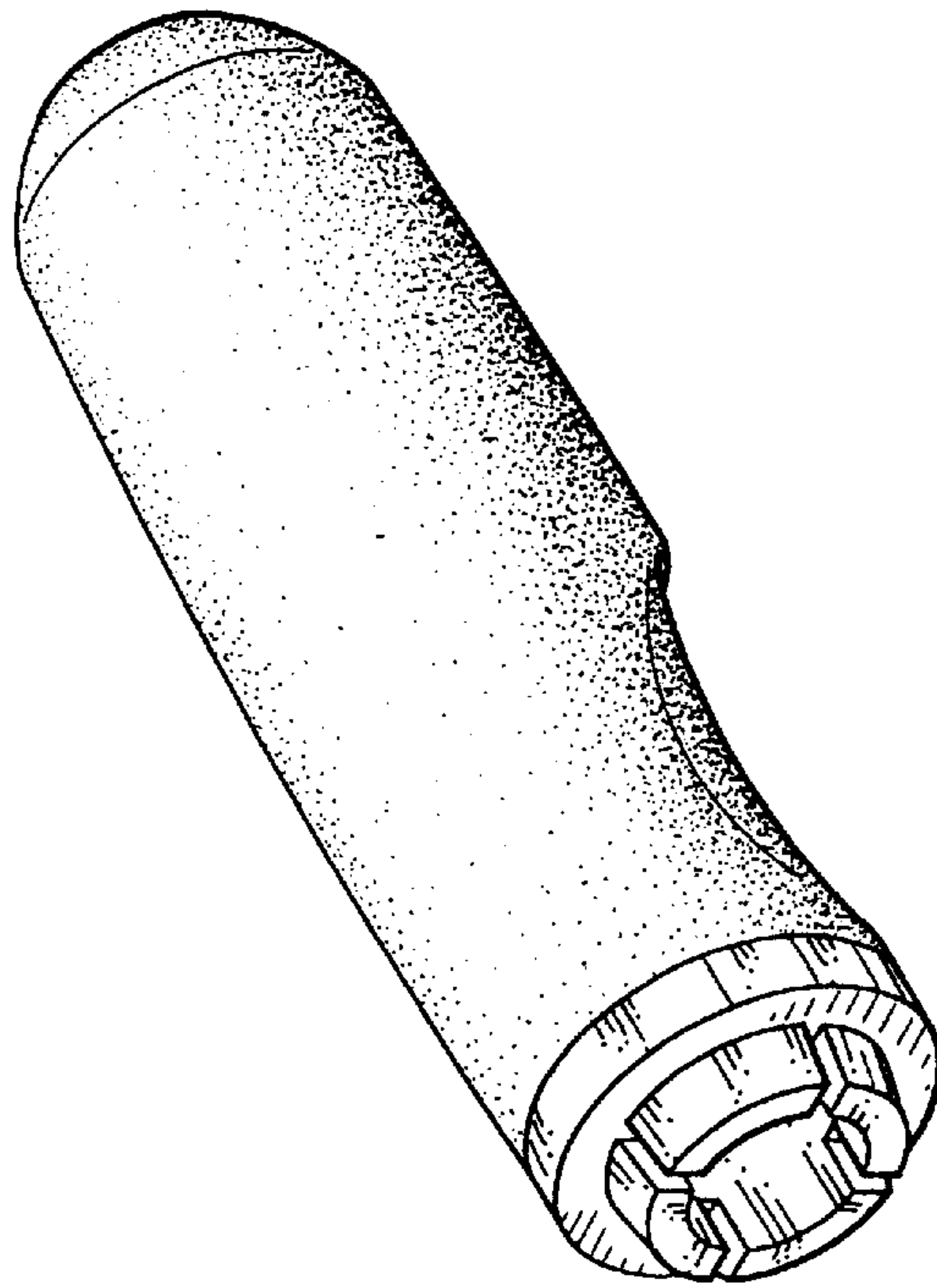


FIG. 1

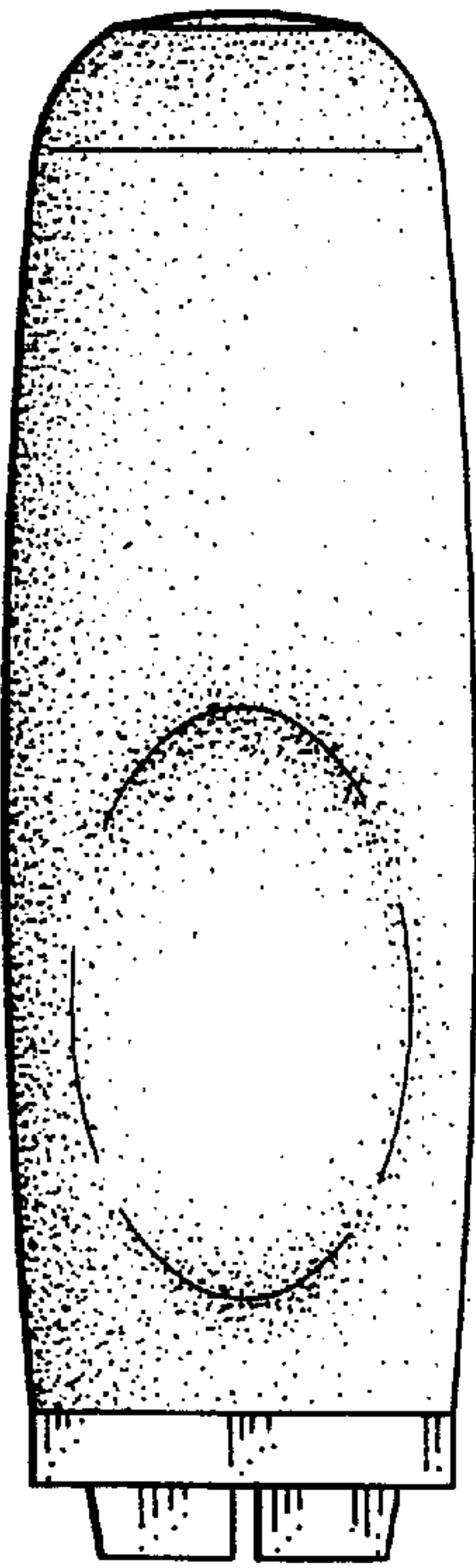


FIG. 5

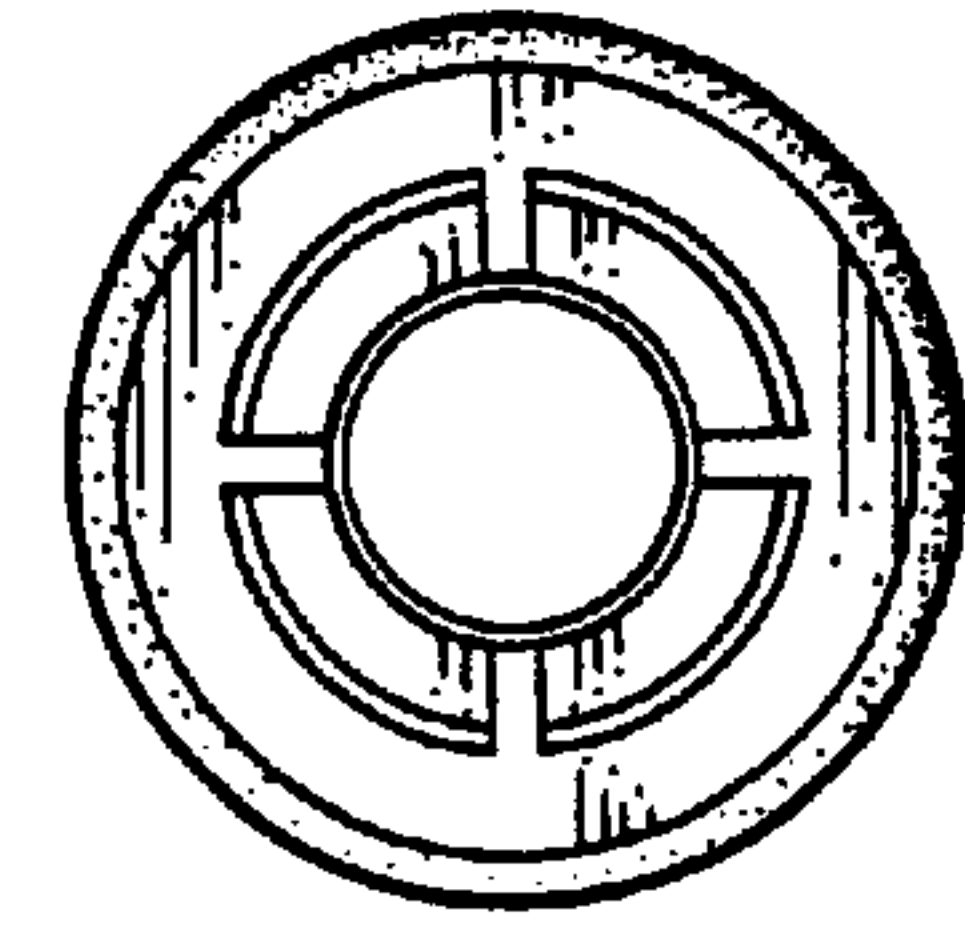


FIG. 6

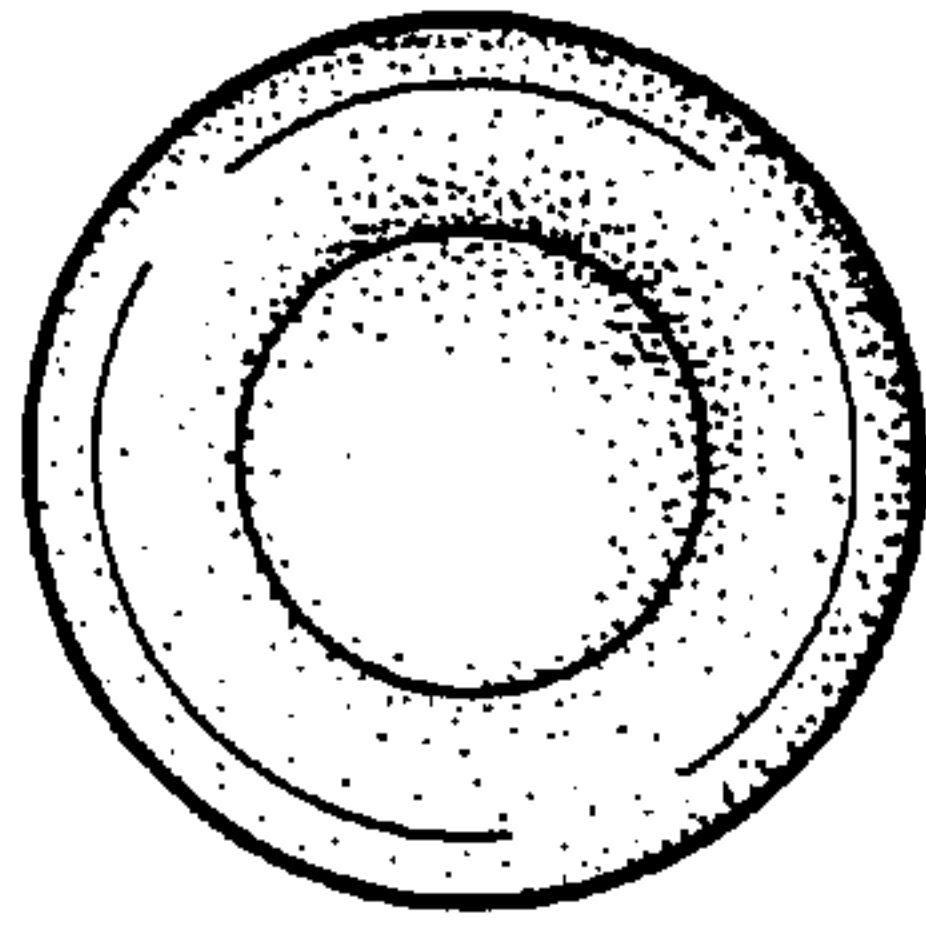


FIG. 7



FIG. 4

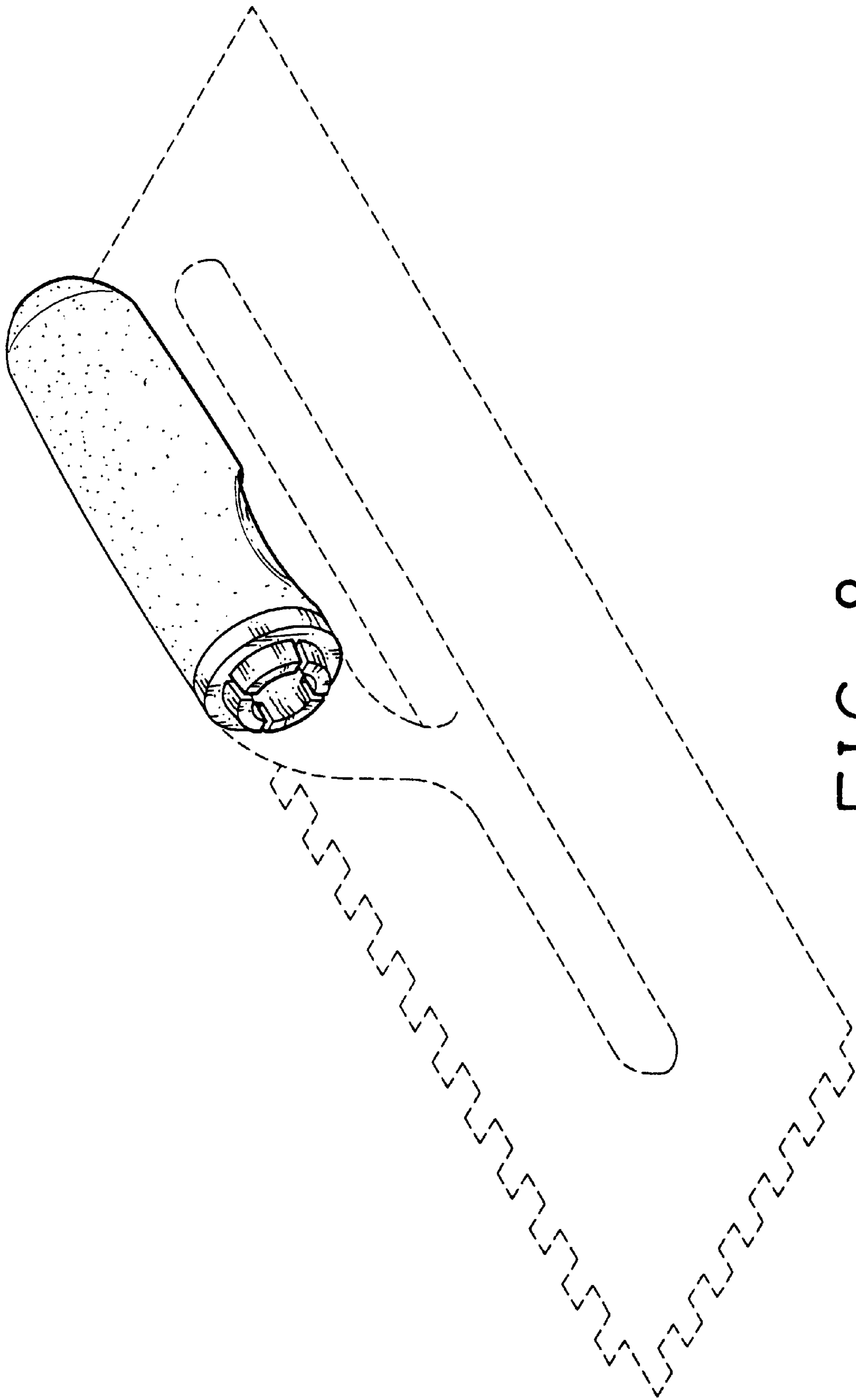


FIG. 8

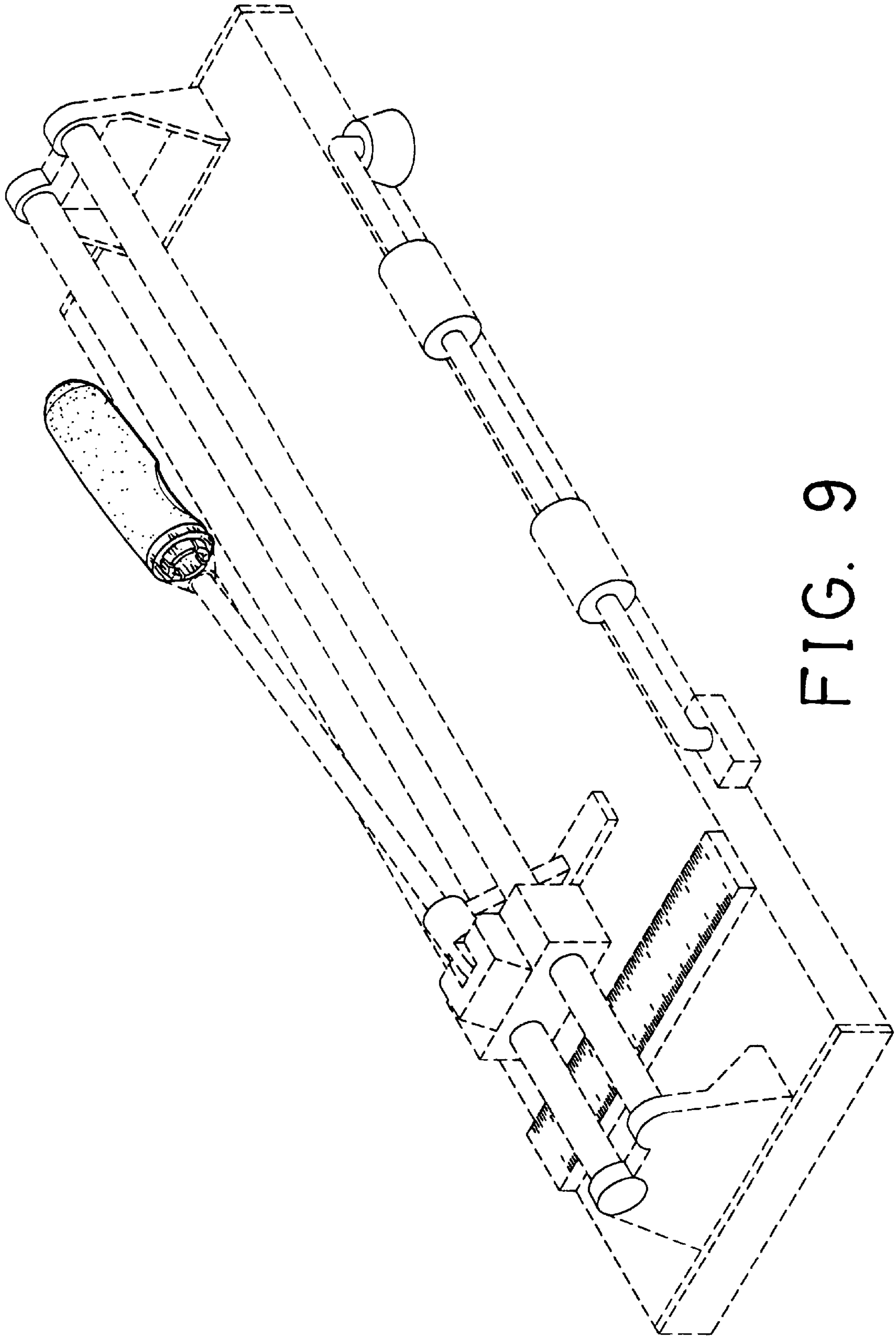


FIG. 9