



US00D439124S

(12) **United States Design Patent**
Duennes

(10) **Patent No.:** **US D439,124 S**

(45) **Date of Patent:** **** Mar. 20, 2001**

(54) **RIGHT ANGLE ATTACHMENT FOR A
ROTARY POWER TOOL**

(75) **Inventor:** **Mark D. Duennes**, Glenview, IL (US)

(73) **Assignee:** **5-BPower Tool Company**, Chicago, IL
(US)

(**) **Term:** **14 Years**

(21) **Appl. No.:** **29/123,648**

(22) **Filed:** **May 23, 2000**

(51) **LOC (7) Cl.** **08-05**

(52) **U.S. Cl.** **D8/70**

(58) **Field of Search** D8/61-70; 81/57.11,
81/57.29, 57.13, 54, 57.42, 469, 57.39;
173/170, 48, 169, 163, 217, 182; 451/358,
359; 310/50, 240; 433/82, 125

(56) **References Cited**

U.S. PATENT DOCUMENTS

| | | | | | |
|------------|---|---------|----------------|-------|---------|
| D. 104,623 | * | 5/1937 | Decker | | D8/61 |
| D. 125,641 | * | 3/1941 | McCrery | | D8/69 |
| D. 162,877 | * | 4/1951 | Price et al. | | D8/70 |
| D. 298,908 | * | 12/1988 | Clemens | | D8/61 |
| D. 309,088 | * | 7/1990 | Ogawa et al. | | D8/68 |
| D. 316,216 | * | 4/1991 | Gierke et al. | | D8/61 |
| D. 323,395 | * | 1/1992 | Meller et al. | | D24/146 |
| D. 323,603 | * | 2/1992 | Fu | | D8/61 |
| D. 323,961 | * | 2/1992 | Fushiya et al. | | D8/61 |
| D. 327,620 | * | 7/1992 | Fisher | | D8/68 |

| | | | | | |
|------------|---|--------|-----------------|-------|----------|
| D. 333,766 | * | 3/1993 | Albert et al. | | D8/62 |
| D. 336,228 | * | 6/1993 | Anderson et al. | | D8/61 |
| D. 357,848 | * | 5/1995 | Izumisawa | | D8/62 |
| D. 372,850 | * | 8/1996 | Dubuque et al. | | D8/61 |
| D. 408,241 | * | 4/1999 | Jansson | | D8/61 |
| D. 411,424 | * | 6/1999 | Saito | | D8/62 |
| D. 414,093 | * | 9/1999 | Zurwelle | | D8/61 |
| 4,770,316 | * | 9/1988 | Overy | | 220/677 |
| 5,007,832 | * | 4/1991 | Meller et al. | | 433/126 |
| 5,404,775 | * | 4/1995 | Abe | | 81/469 |
| 6,009,776 | * | 1/2000 | Warren | | 81/57.29 |
| 6,087,754 | * | 7/2000 | Berger | | 310/240 |

* cited by examiner

Primary Examiner—Jeffrey Asch

(74) *Attorney, Agent, or Firm*—Leo H McCormick, Jr.;
Warren Comstock

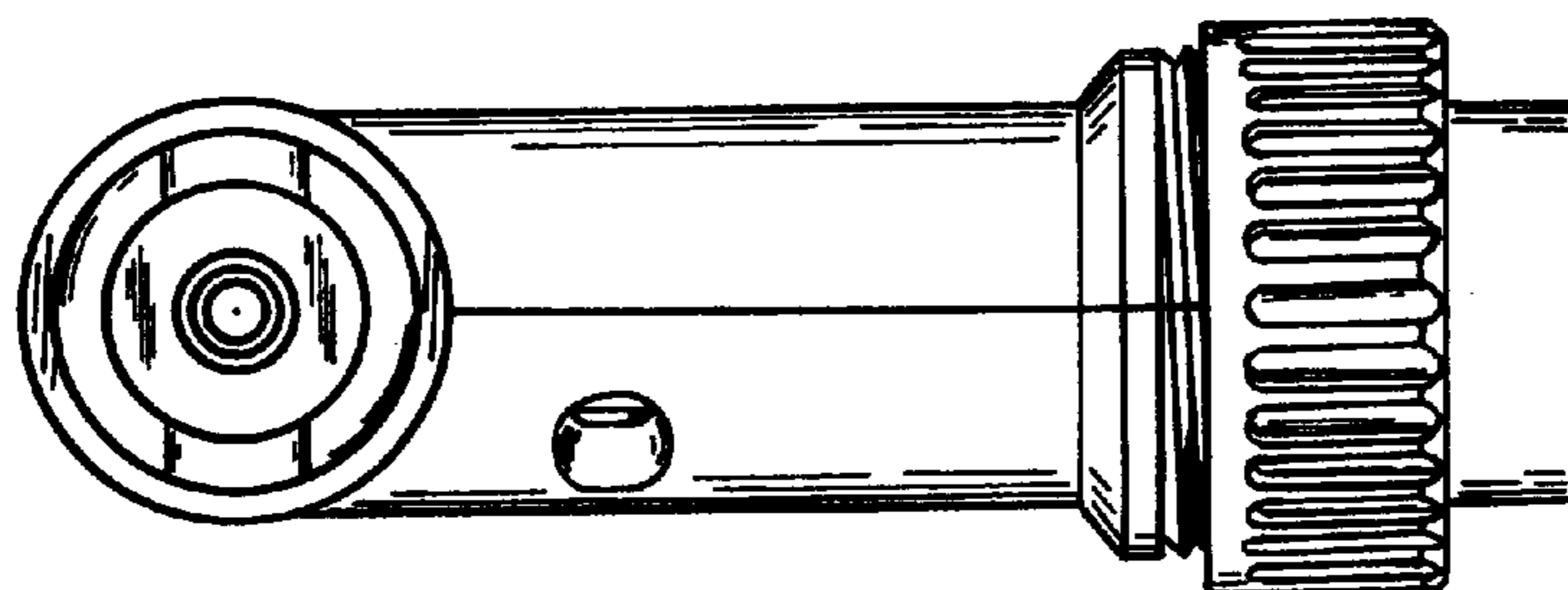
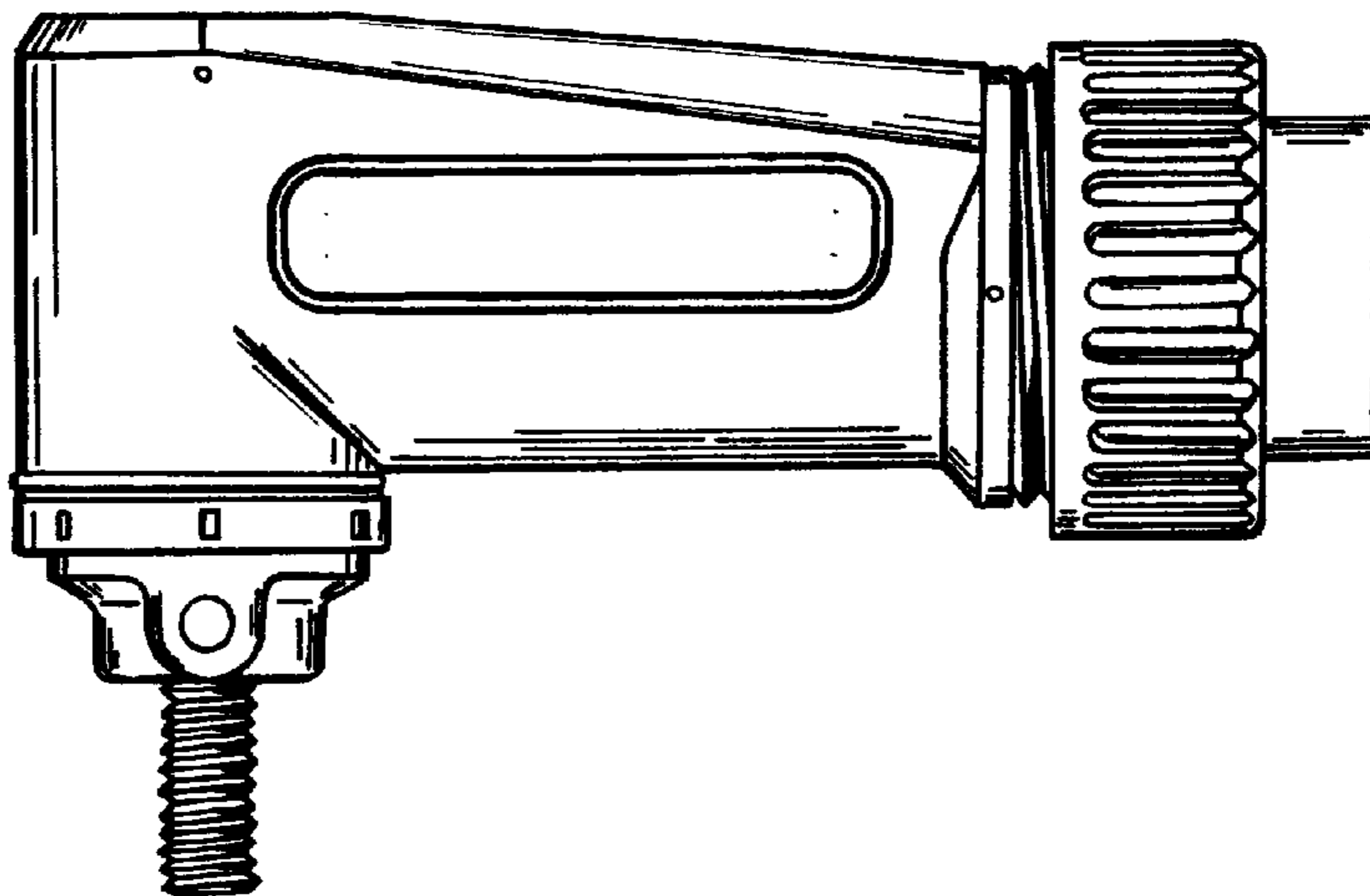
(57) **CLAIM**

The ornamental design for a right angle attachment for a rotary power tool, as shown and described.

DESCRIPTION

FIG. 1 is a right side plan elevation view of a right angle attachment for a rotary power tool showing my new design; FIG. 2 is a bottom plan view thereof; FIG. 3 is a left side plan elevation view thereof; FIG. 4 is a top plan view thereof; FIG. 5 is a left end plan elevation view thereof; and, FIG. 6 is a right end plan elevation view thereof.

1 Claim, 2 Drawing Sheets



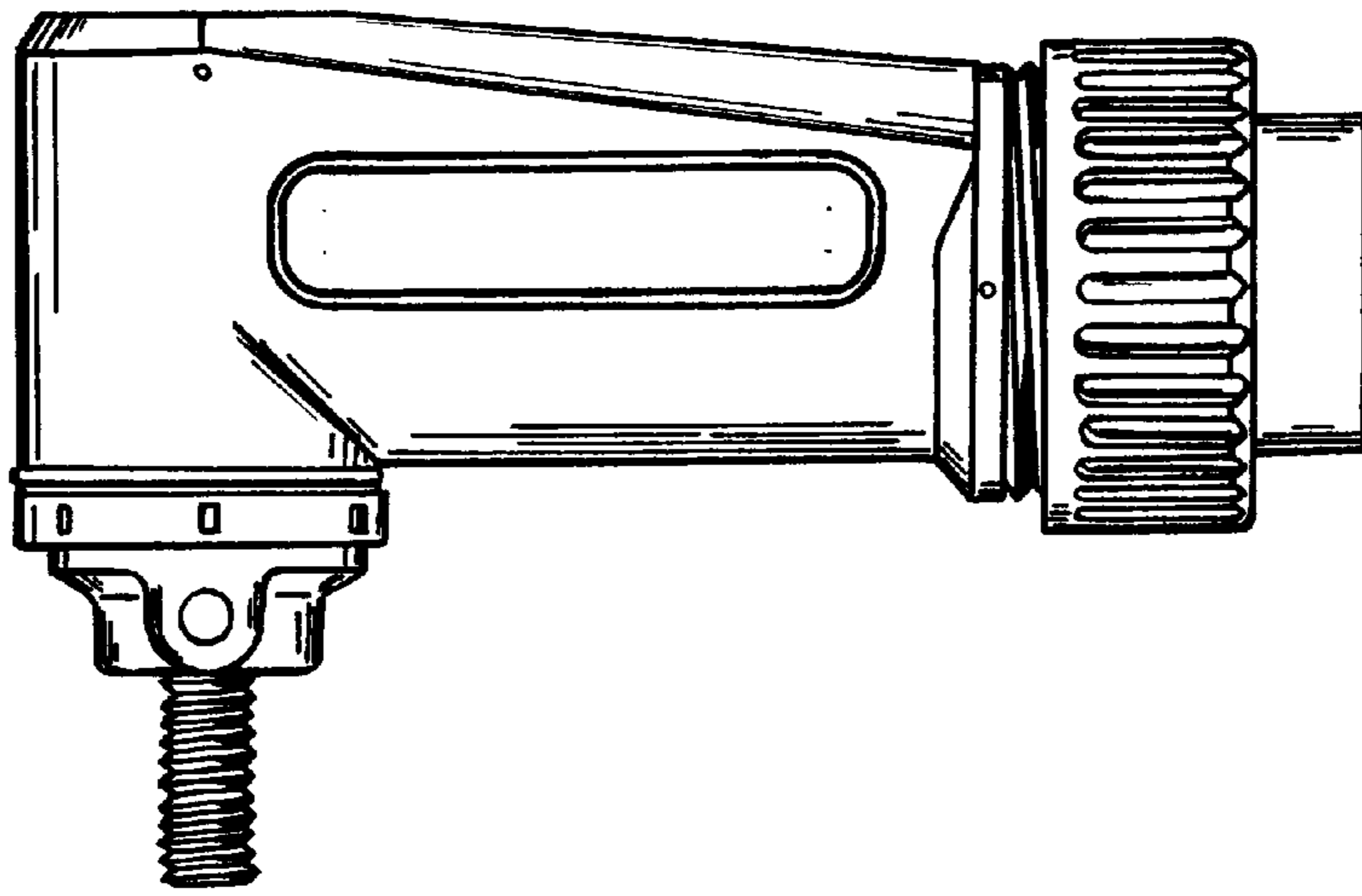


FIG. 1

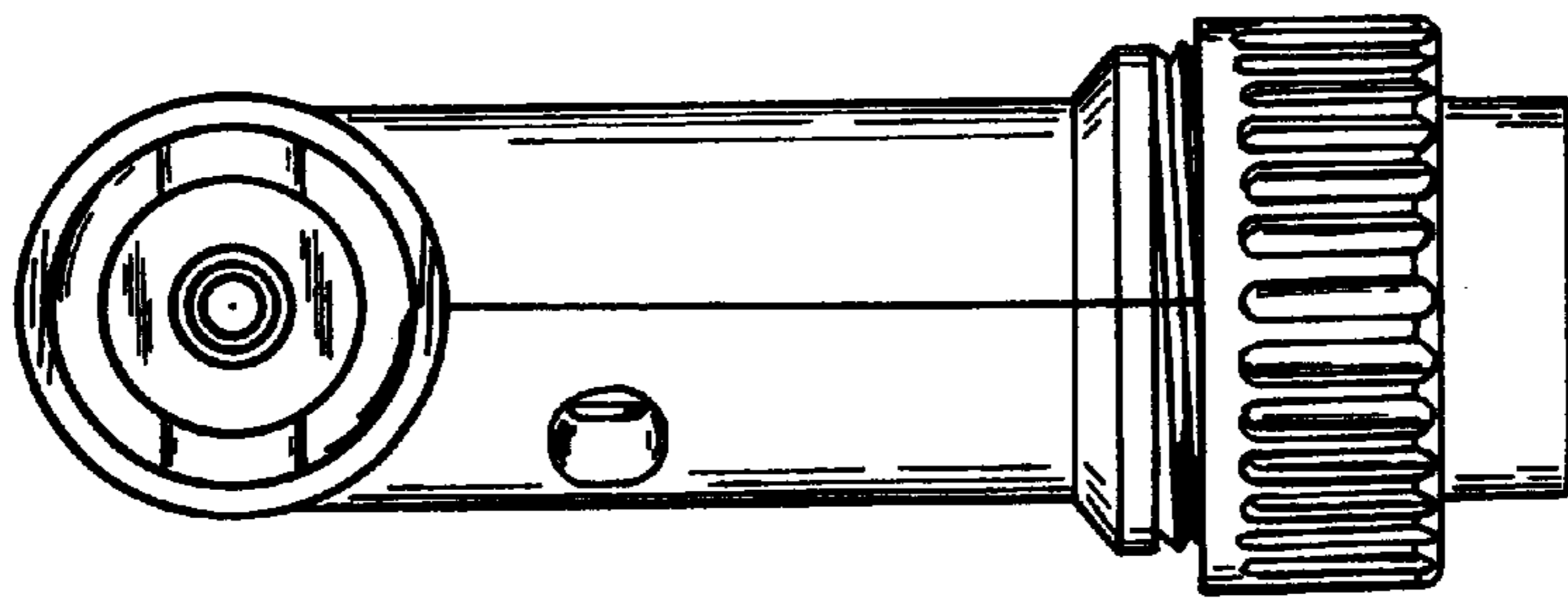


FIG. 2

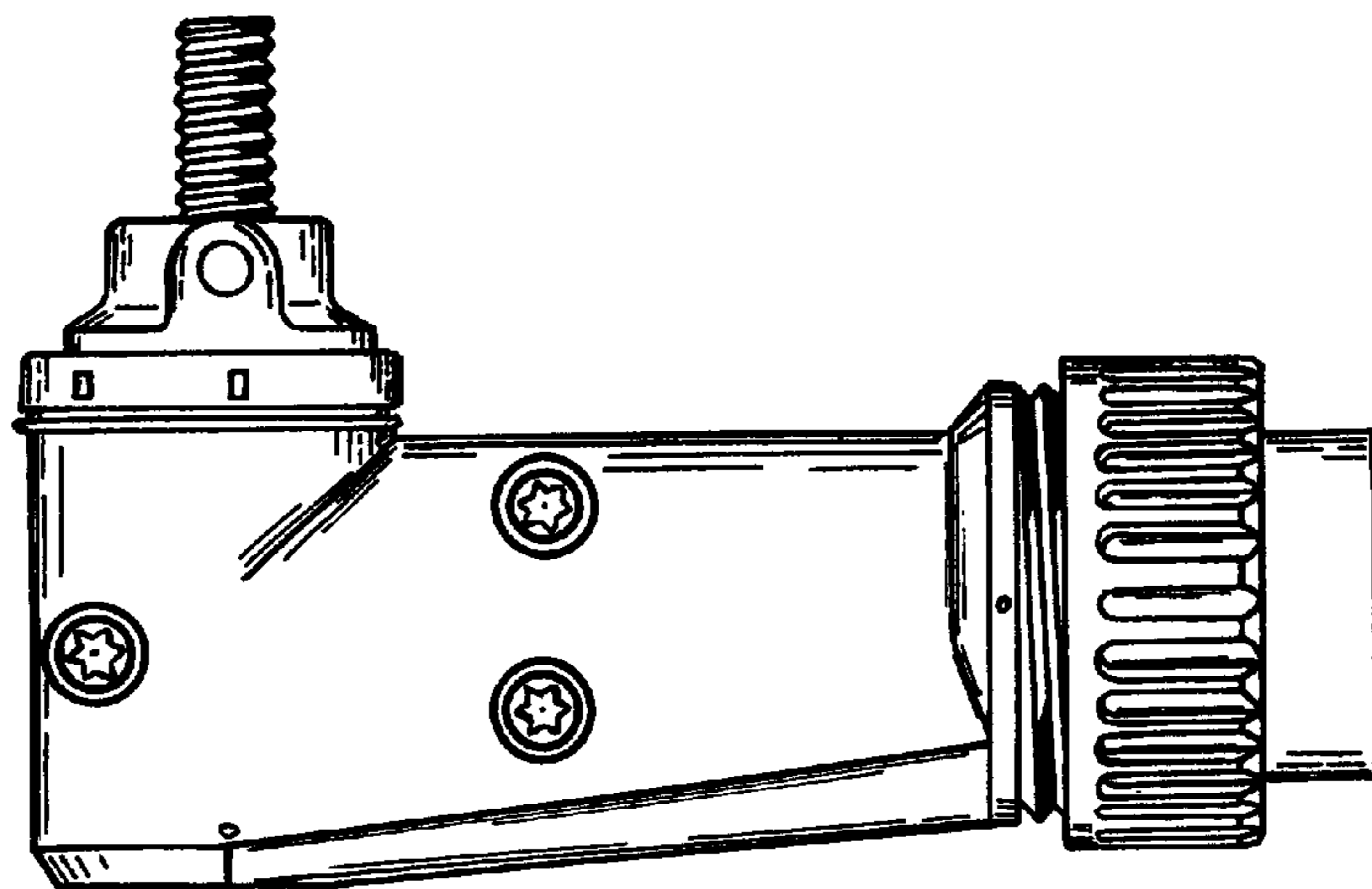


FIG. 3

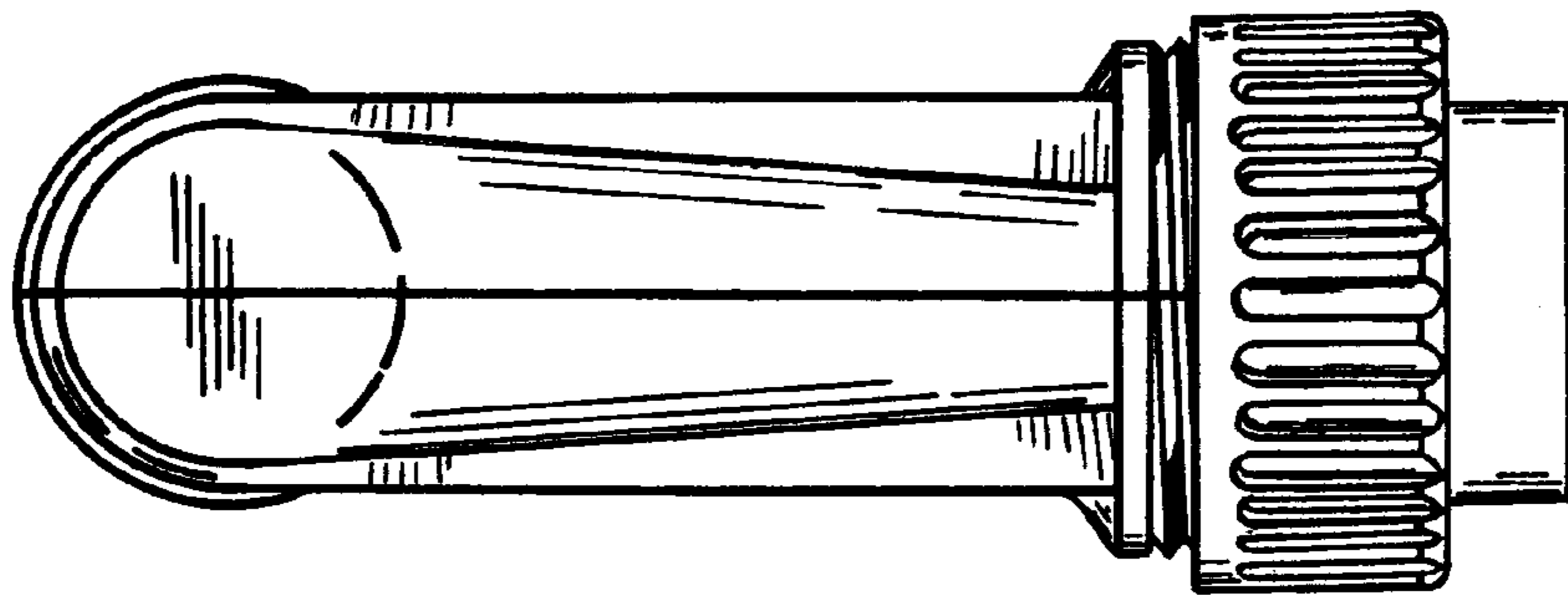


FIG. 4

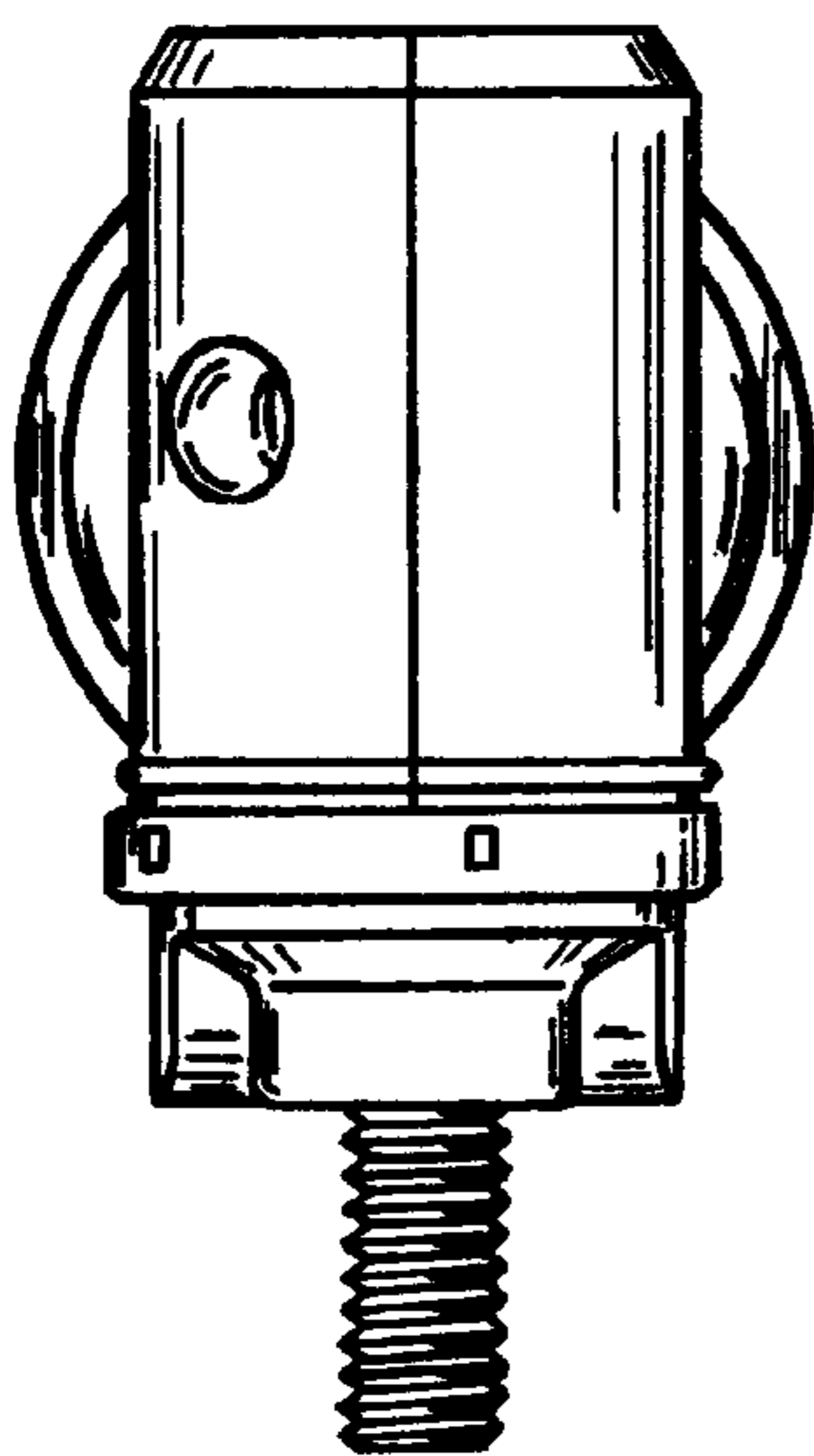


FIG. 5

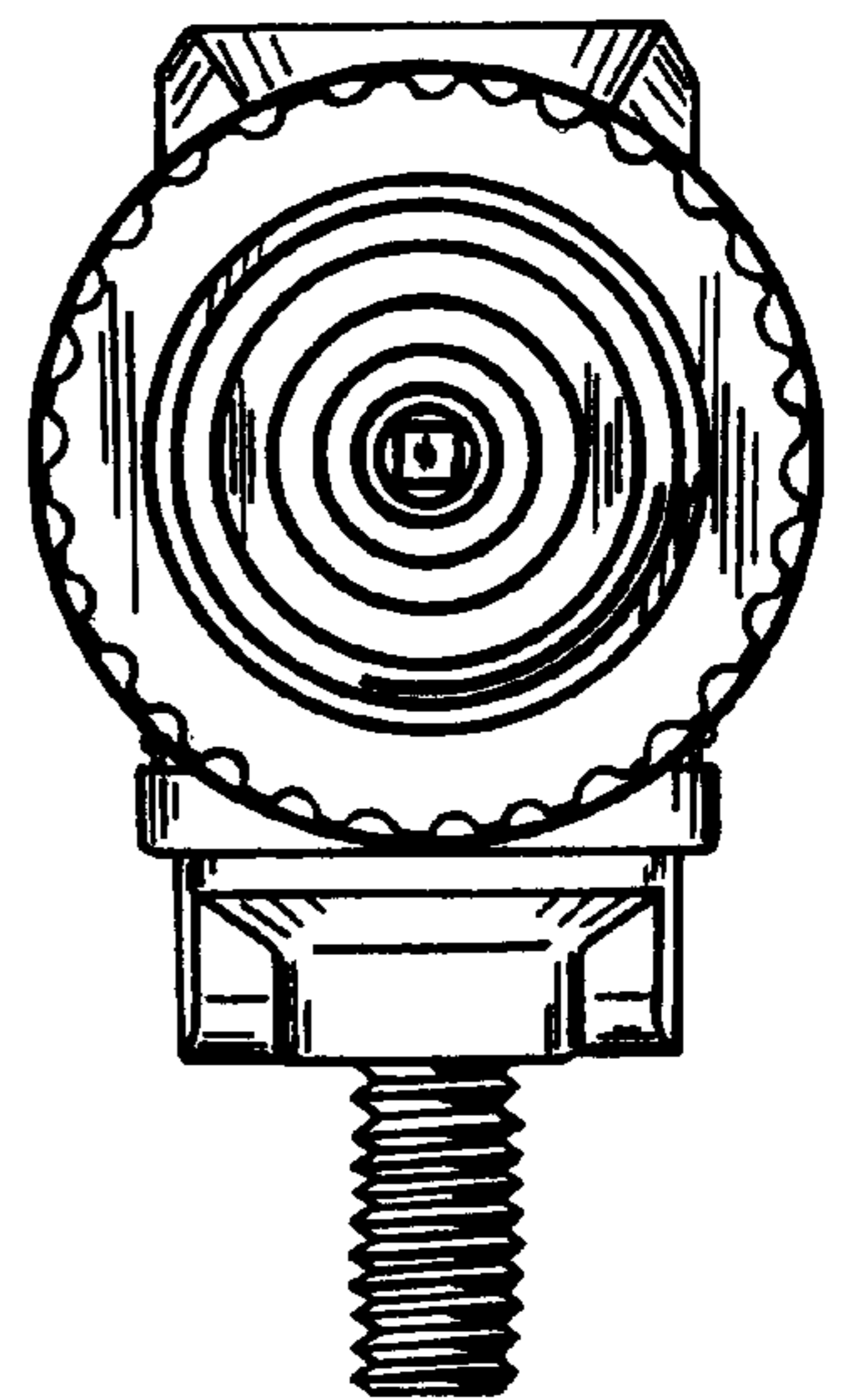


FIG. 6

UNITED STATES PATENT AND TRADEMARK OFFICE
CERTIFICATE OF CORRECTION

PATENT NO. : Des 439,124 S
DATED : March 20, 2001
INVENTOR(S) : Mark D. Duennes

Page 1 of 1

It is certified that error appears in the above-identified patent and that said Letters Patent is hereby corrected as shown below:

Title page,

Item [73], Assignee, should read:

-- [73] Assignee: **S-B Power Tool Company**, Chicago, Il (US) --

Signed and Sealed this

Twelfth Day of February, 2002

Attest:



Attesting Officer

JAMES E. ROGAN
Director of the United States Patent and Trademark Office