



US00D439123S

(12) **United States Design Patent**
Sakai et al.

(10) **Patent No.:** **US D439,123 S**

(45) **Date of Patent:** **** Mar. 20, 2001**

(54) **PORTABLE ELECTRIC DRILL**

5,159,986 * 11/1992 Hoser 173/48
5,524,512 * 6/1996 Wolfe 81/429

(75) Inventors: **Masato Sakai; Kenji Kataoka**, both of Hitachinaka (JP)

* cited by examiner

(73) Assignee: **Hitachi Koki Co., Ltd.**, Tokyo (JP)

Primary Examiner—Jeffrey Asch

(**) Term: **14 Years**

(74) *Attorney, Agent, or Firm*—McDermott, Will & Emery

(21) Appl. No.: **29/125,728**

(57) **CLAIM**

(22) Filed: **Jun. 29, 2000**

The ornamental design for a portable electric drill, as shown.

(30) **Foreign Application Priority Data**

DESCRIPTION

Dec. 29, 1999 (JP) 11-37140
Dec. 29, 1999 (JP) 11-37141

FIG. 1 is a photograph corresponding to a front perspective view of a portable electric drill;

(51) **LOC (7) Cl.** **08-05**

(52) **U.S. Cl.** **D8/68**

FIG. 2 is a photograph corresponding to a front view thereof;

(58) **Field of Search** D8/61-70; 81/57.11, 81/429, 54, 57.42, 409, 436, 900, 439, 57.14, 901, 177.1, 177.85; 173/170, 48, 213, 217, 171; 408/241 S, 20; 451/357-359

FIG. 3 is a photograph corresponding to a rear view thereof;

FIG. 4 is a photograph corresponding to a left side view thereof;

FIG. 5 is a photograph corresponding to a right side view thereof;

FIG. 6 is a photograph corresponding to a top view thereof;

FIG. 7 is a photograph corresponding to a bottom view thereof;

FIG. 8 is a photograph corresponding to a front perspective view of a second embodiment of a portable electric drill;

FIG. 9 is a photograph corresponding to a front view thereof;

FIG. 10 is a photograph corresponding to a rear view thereof;

FIG. 11 is a photograph corresponding to a left side view thereof;

FIG. 12 is a photograph corresponding to a right side view thereof;

FIG. 13 is a photograph corresponding to a top view thereof;

and,

FIG. 14 is a photograph corresponding to a bottom view thereof.

(56) **References Cited**

U.S. PATENT DOCUMENTS

D. 280,797 * 10/1985 Sakamoto et al. D8/68
D. 316,021 * 4/1991 Bunyea D8/68
D. 326,400 * 5/1992 Fushiya et al. D8/68
D. 330,152 * 10/1992 Ogawa et al. D8/68
D. 337,710 * 7/1993 Lui et al. D8/68
D. 339,727 * 9/1993 Kikuchi D8/68
D. 342,878 * 1/1994 Watanabe et al. D8/68
D. 343,105 * 1/1994 Shibata et al. D8/68
D. 400,416 * 11/1998 Zurwelle D8/68
D. 406,740 * 3/1999 Zurwelle D8/68
D. 406,741 * 3/1999 Zurwelle D8/68
2,940,488 * 6/1960 Riley 81/429
4,647,260 * 3/1987 O'Hara et al. 408/241 S

1 Claim, 14 Drawing Sheets

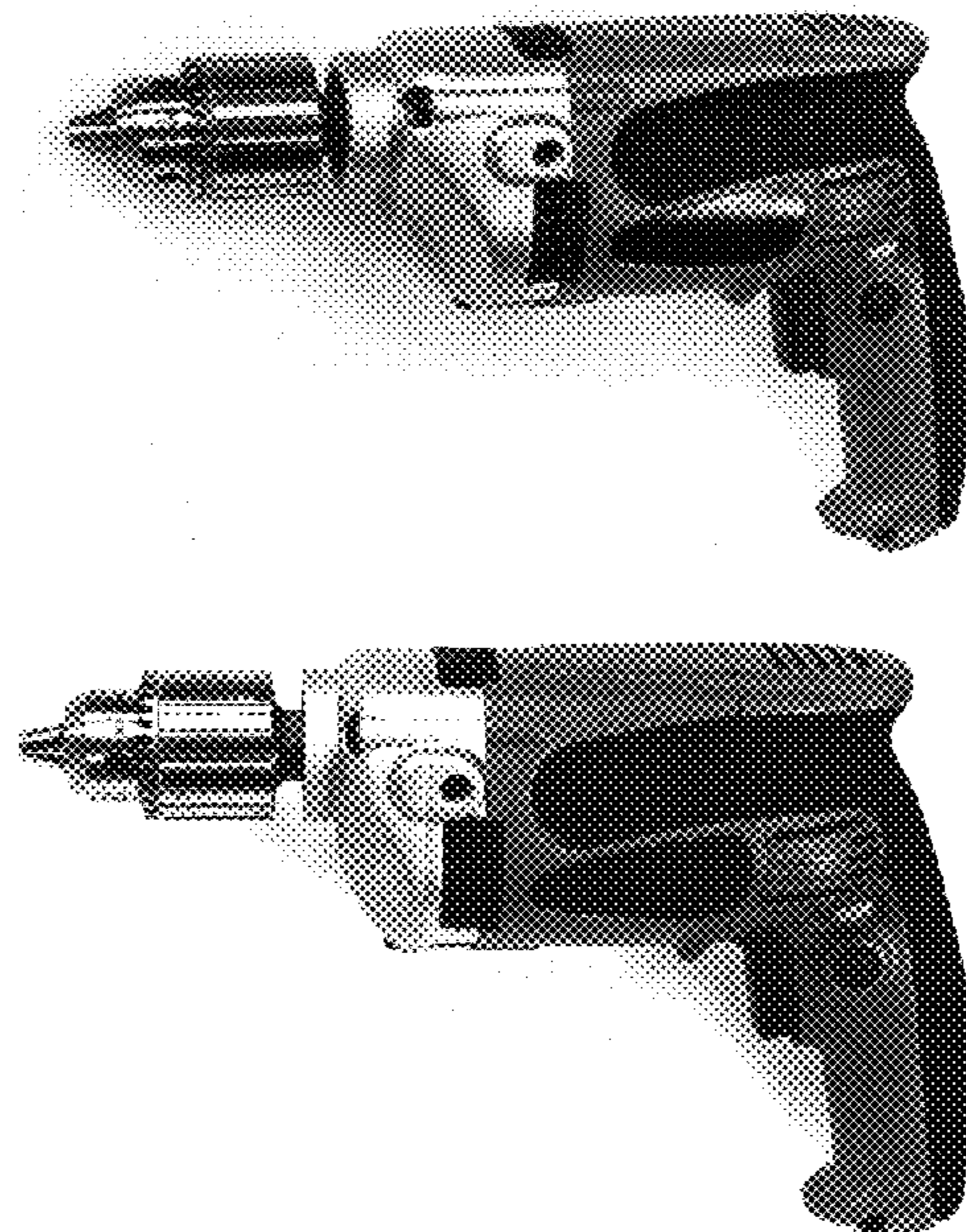


FIG. 1

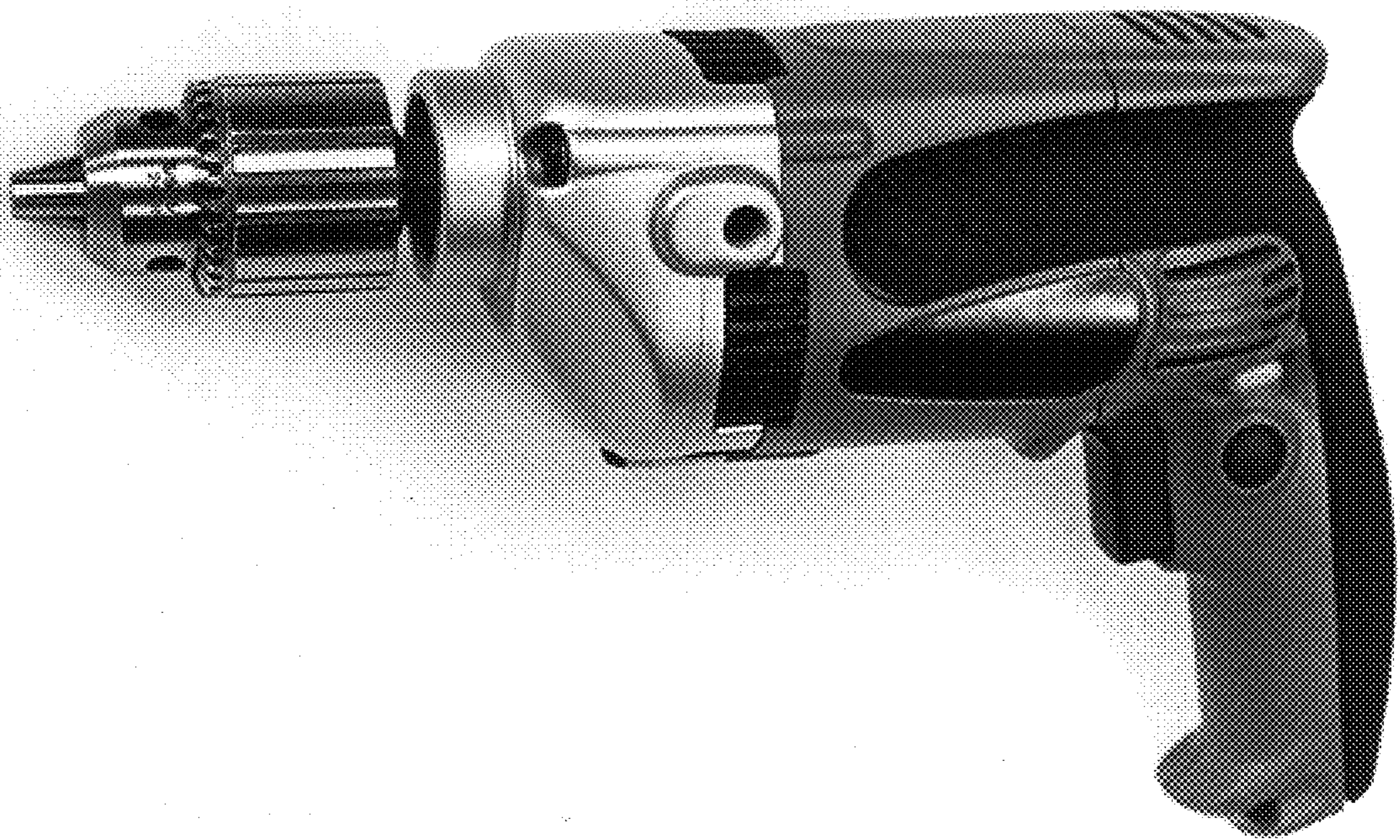


FIG. 2

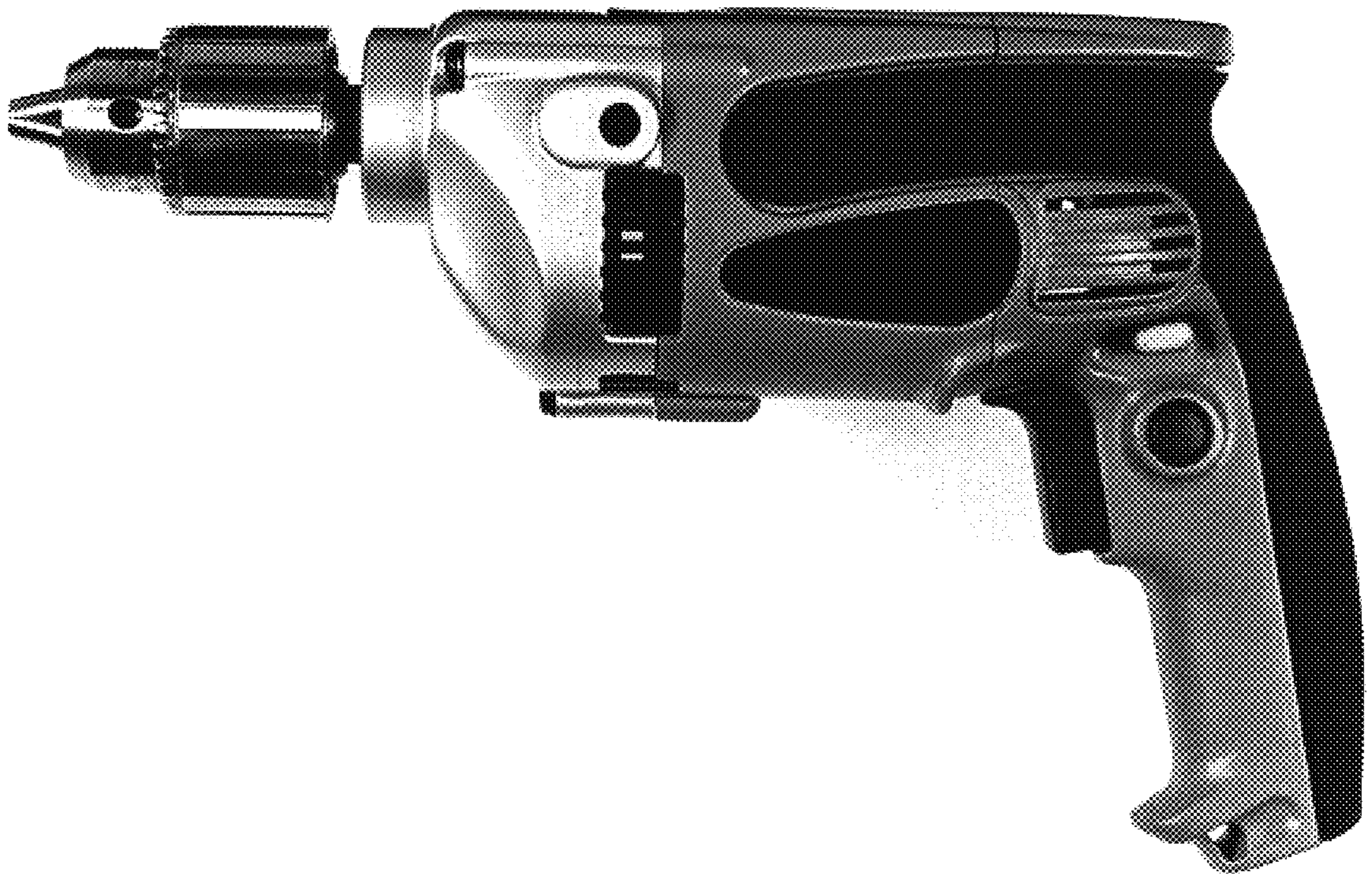


FIG. 3



FIG. 4

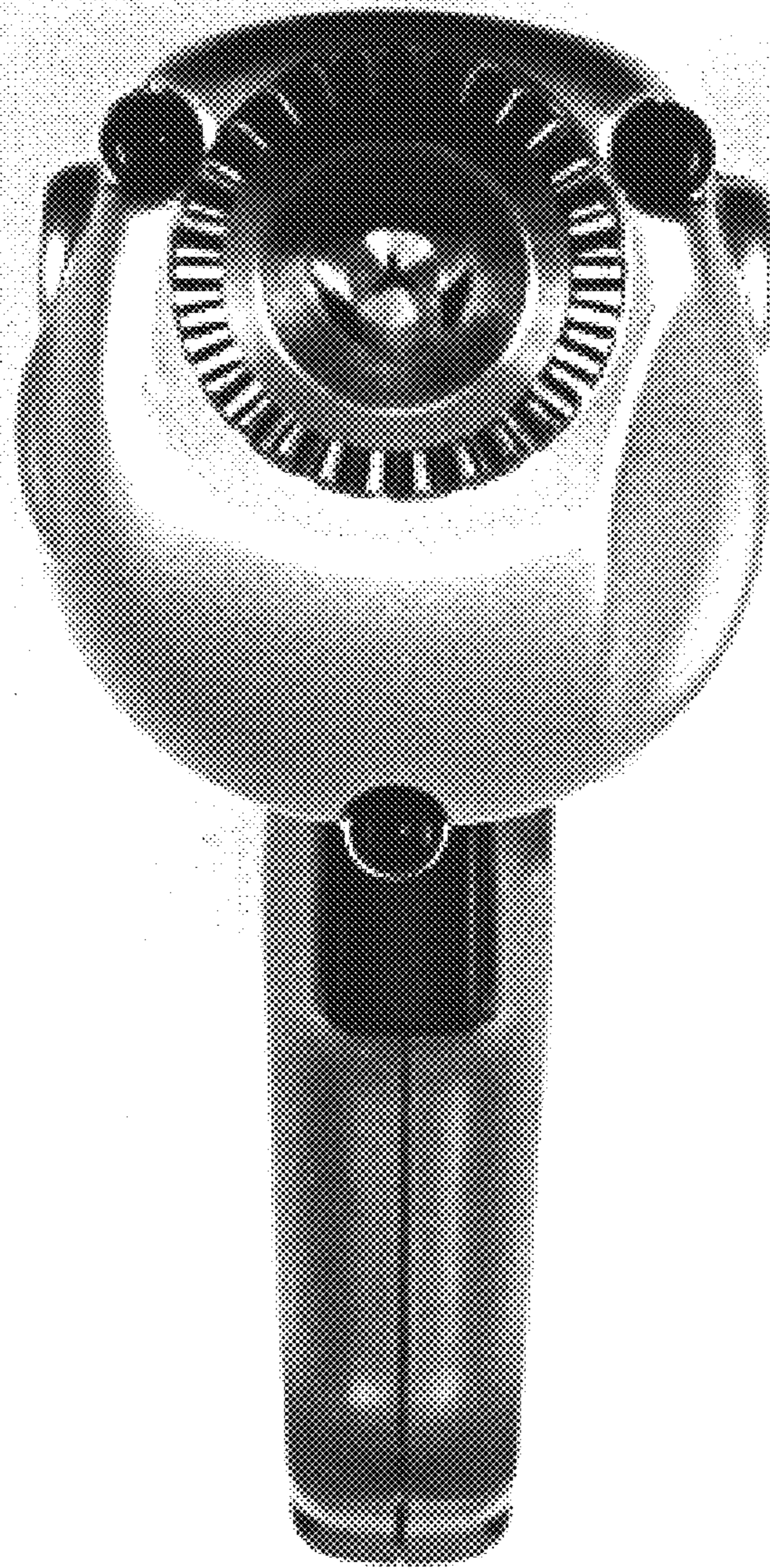


FIG. 5

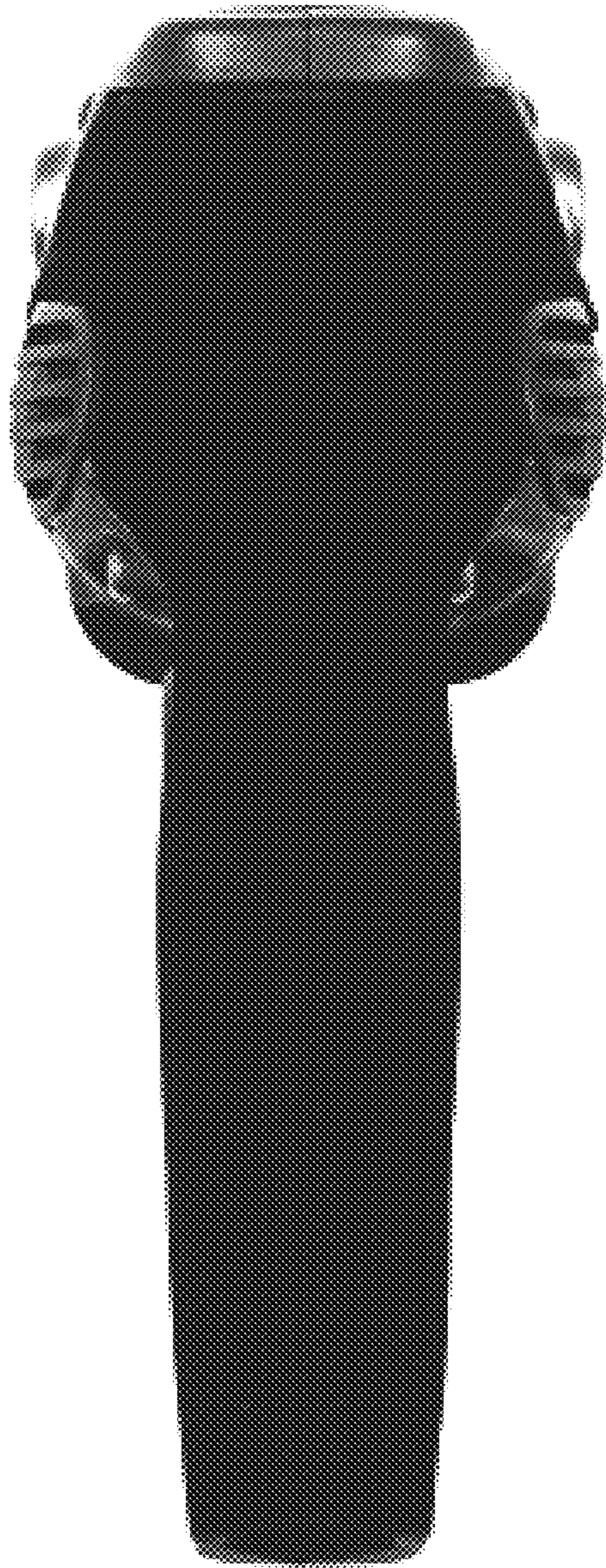


FIG. 6

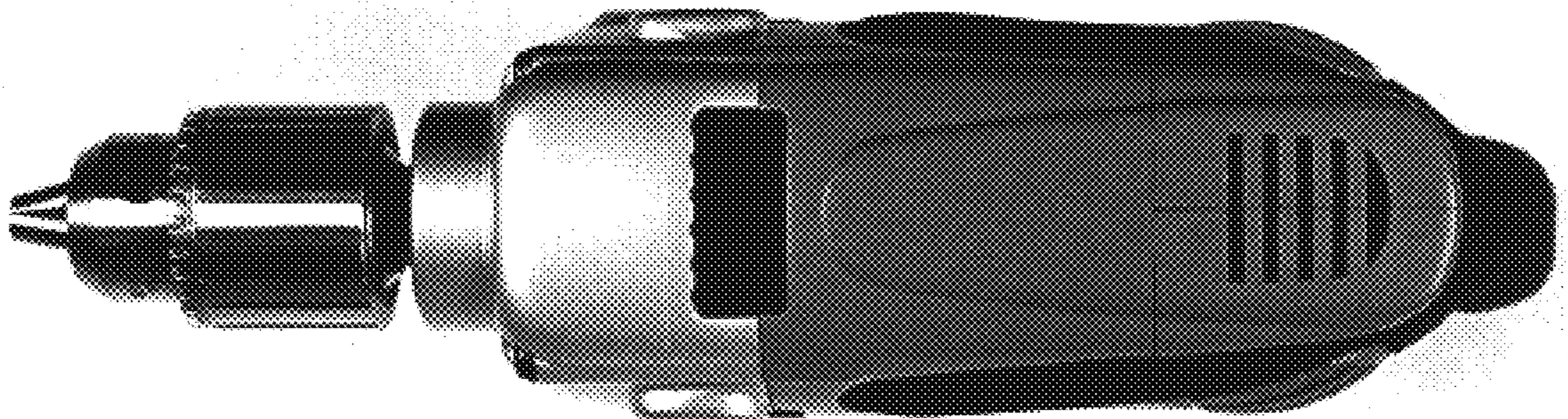


FIG. 7

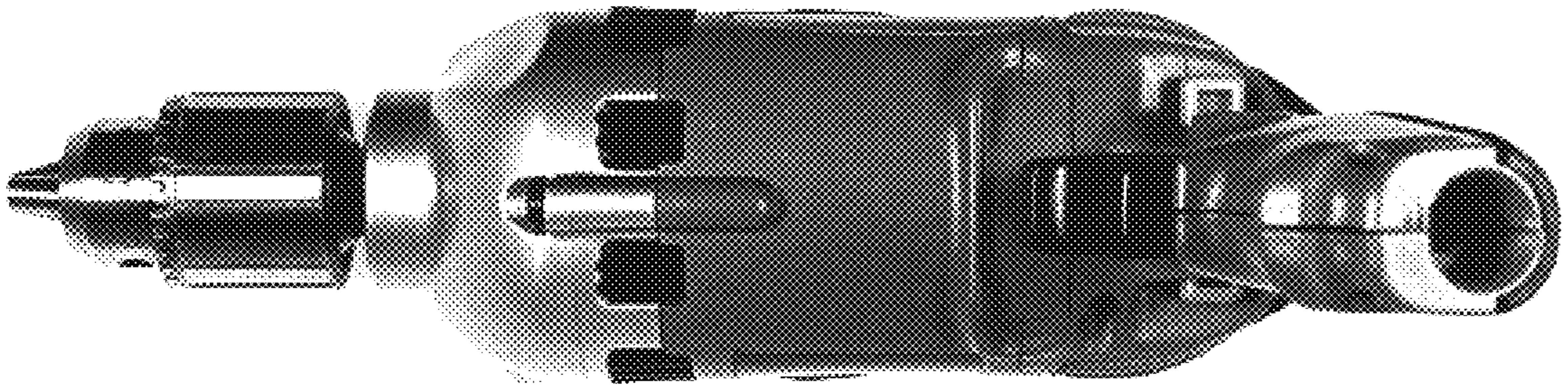


FIG. 8

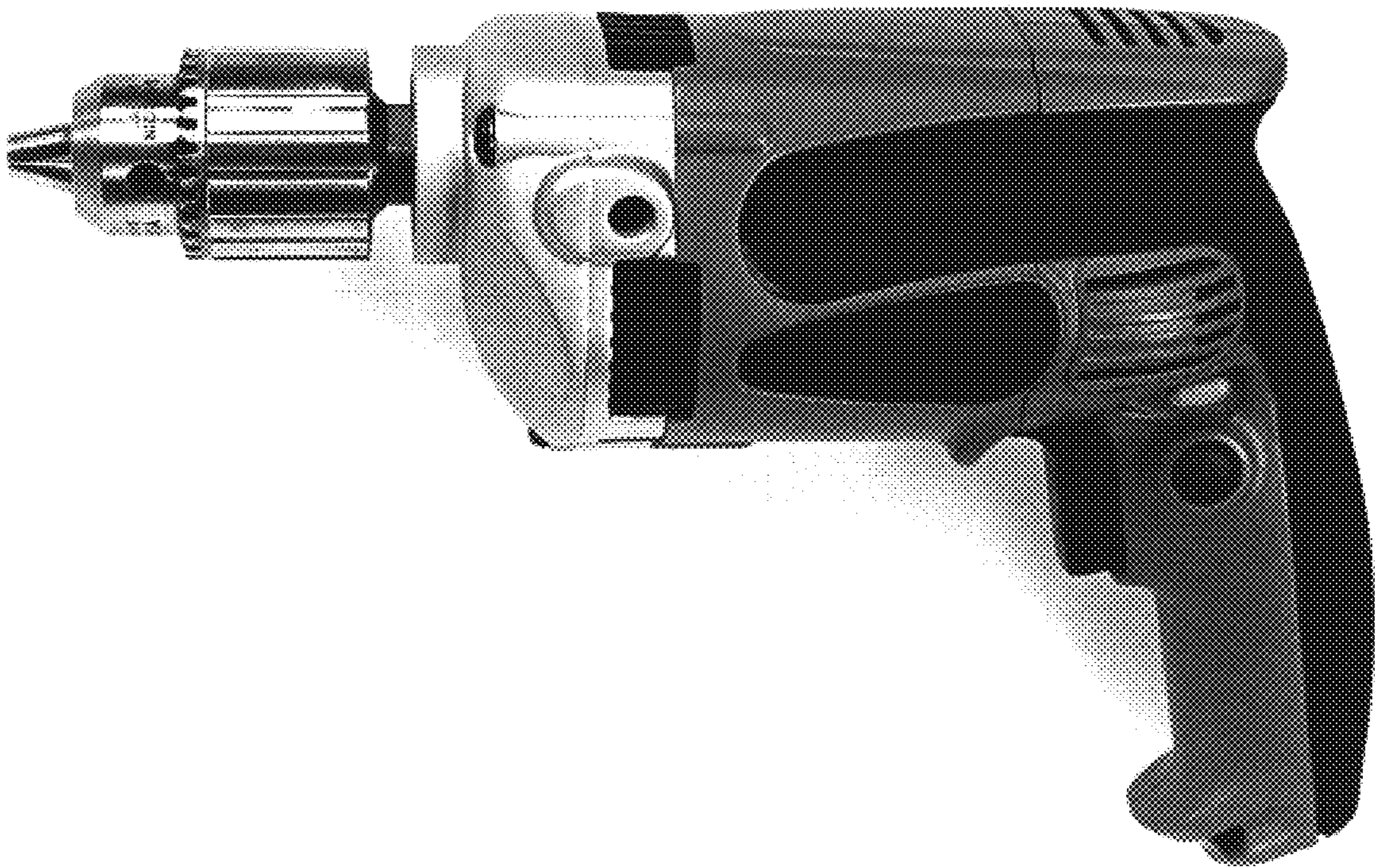


FIG. 9

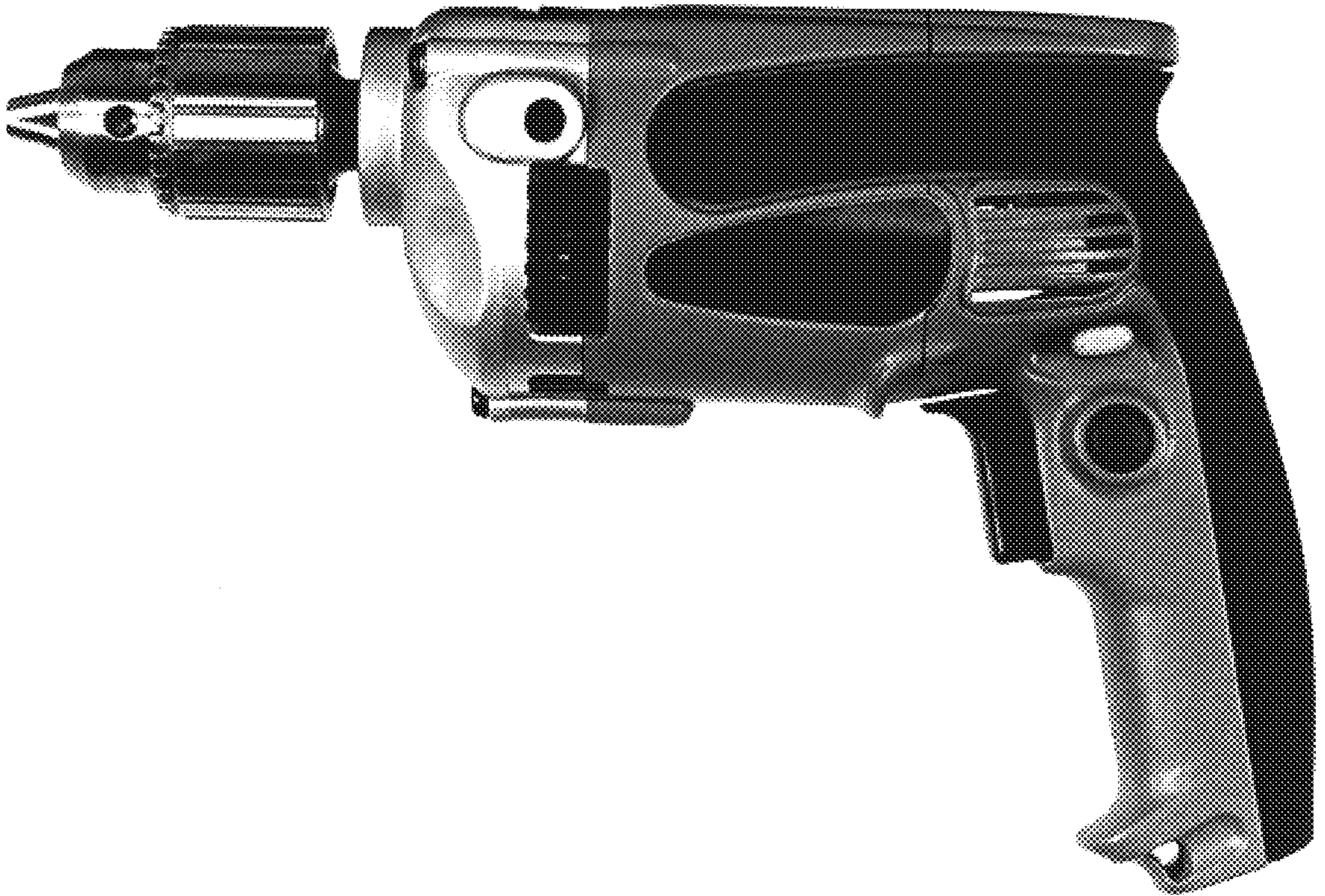


FIG. 10

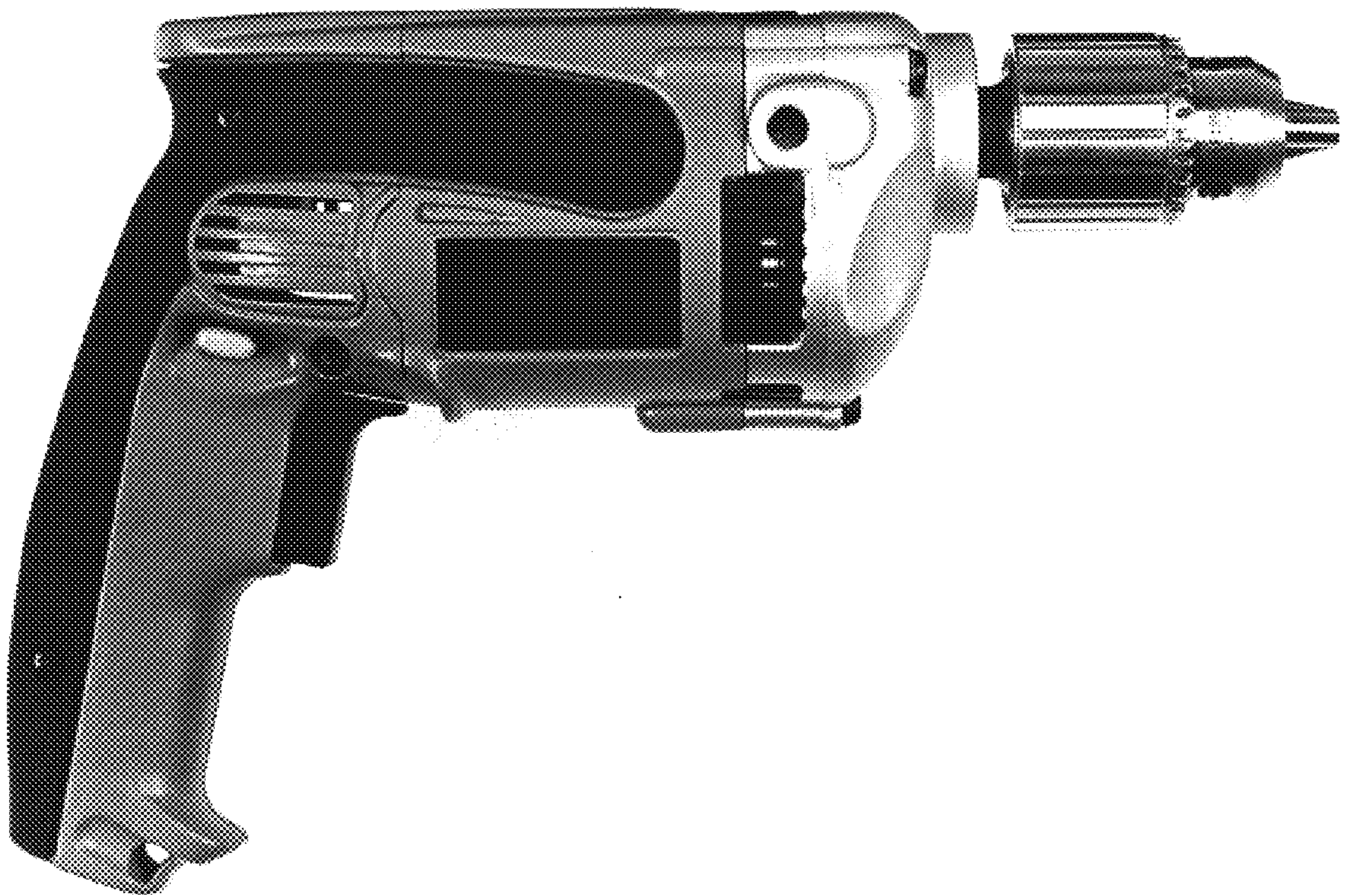


FIG. 11

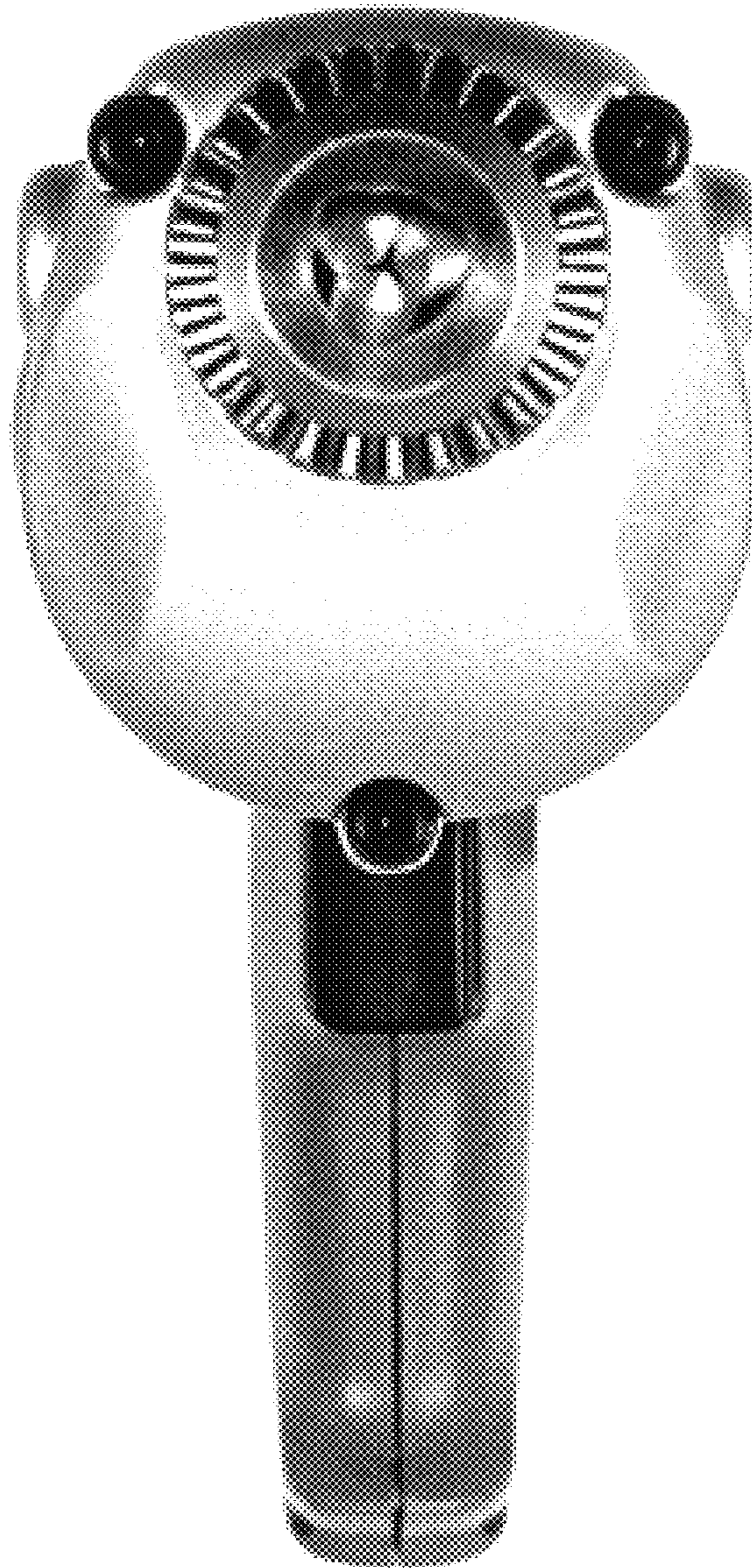


FIG. 12



FIG. 13

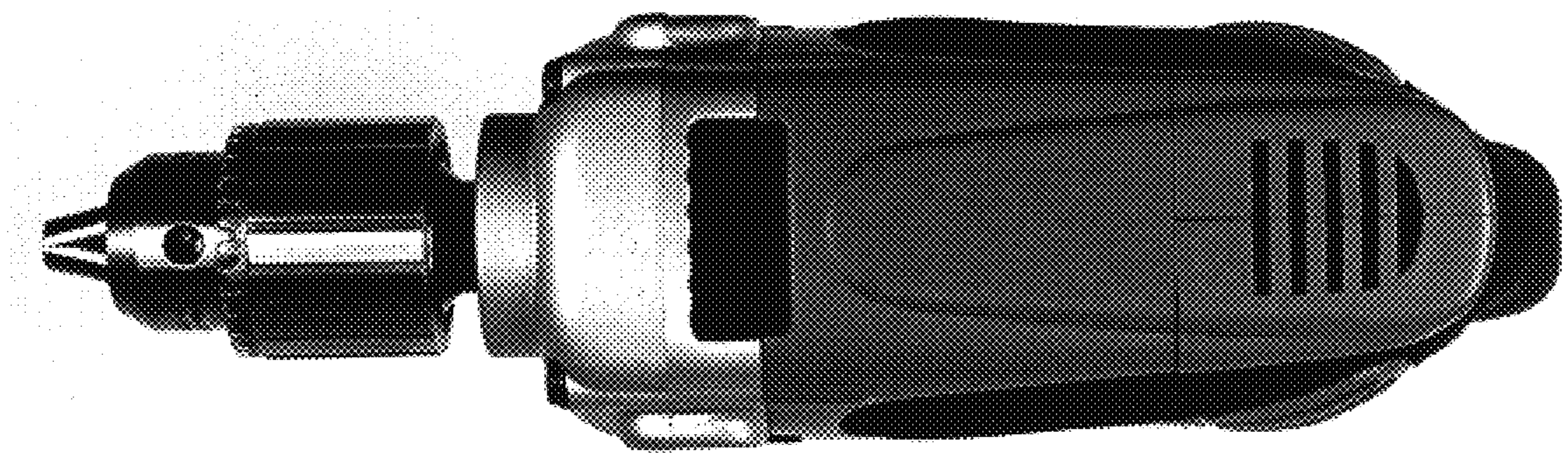


FIG. 14

