



US00D439122S

(12) **United States Design Patent**
Adler et al.

(10) **Patent No.:** **US D439,122 S**

(45) **Date of Patent:** **** Mar. 20, 2001**

(54) **SPIRAL CUTTING TOOL**

(75) Inventors: **Scott Adler; Cory Boudreau; Ryan Rindy; Daniel Bullis**, all of Madison, WI (US)

(73) Assignee: **Roto Zip Tool Corporation**, Cross Plains, WI (US)

(**) Term: **14 Years**

(21) Appl. No.: **29/118,870**

(22) Filed: **Feb. 17, 2000**

(51) **LOC (7) Cl.** **08-01**

(52) **U.S. Cl.** **D8/61**

(58) **Field of Search** D8/61-70; 81/57.11, 81/474, 54, 57.42; 173/170, 217, 213, 168, 169; 451/344, 354, 359, 458; 409/182; 310/40 R, 50

(56) **References Cited**

U.S. PATENT DOCUMENTS

- D. 168,215 * 11/1952 Doeden D8/61
- D. 248,820 * 8/1978 Roth et al. D8/61
- D. 267,974 * 2/1983 Nilles et al. D8/61 X
- D. 295,714 * 5/1988 Sasaki et al. D8/68
- D. 310,470 * 9/1990 Tohdoh D8/62
- D. 364,790 * 12/1995 Duennes D8/61
- D. 380,658 * 7/1997 Bruno et al. D8/61

- D. 391,820 * 3/1998 Bunyea D8/61
- D. 392,863 * 3/1998 Sugimoto et al. D8/68
- D. 423,897 * 5/2000 Cooper D8/61
- D. 424,902 * 5/2000 Gildersleeve et al. D8/68
- 5,813,805 9/1998 Kopras .
- 5,829,931 * 11/1998 Doumani 409/182
- 5,902,080 5/1999 Kopras .
- 6,102,134 * 8/2000 Alsruhe 173/217

* cited by examiner

Primary Examiner—Jeffrey Asch

(74) *Attorney, Agent, or Firm*—Foley & Lardner

(57) **CLAIM**

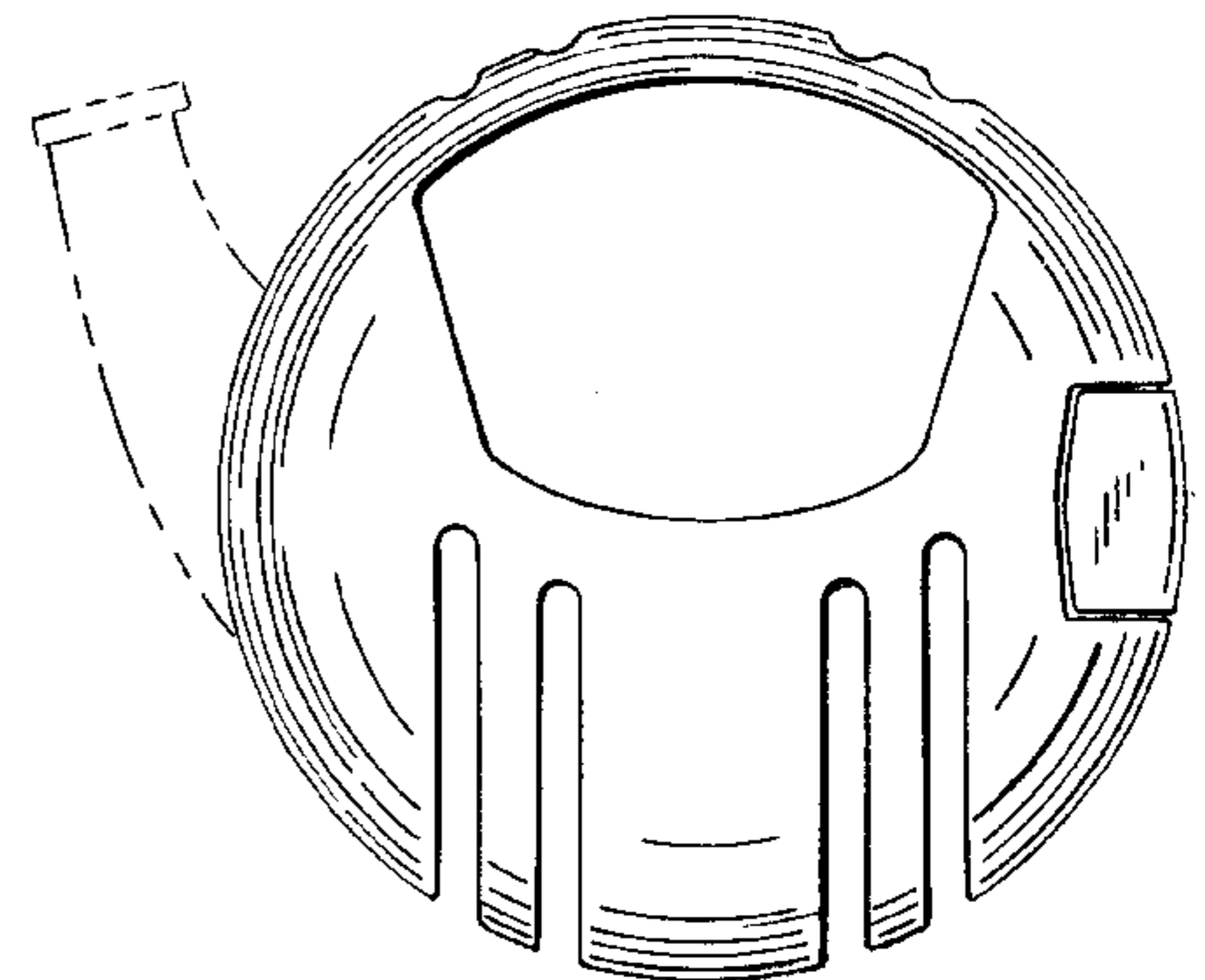
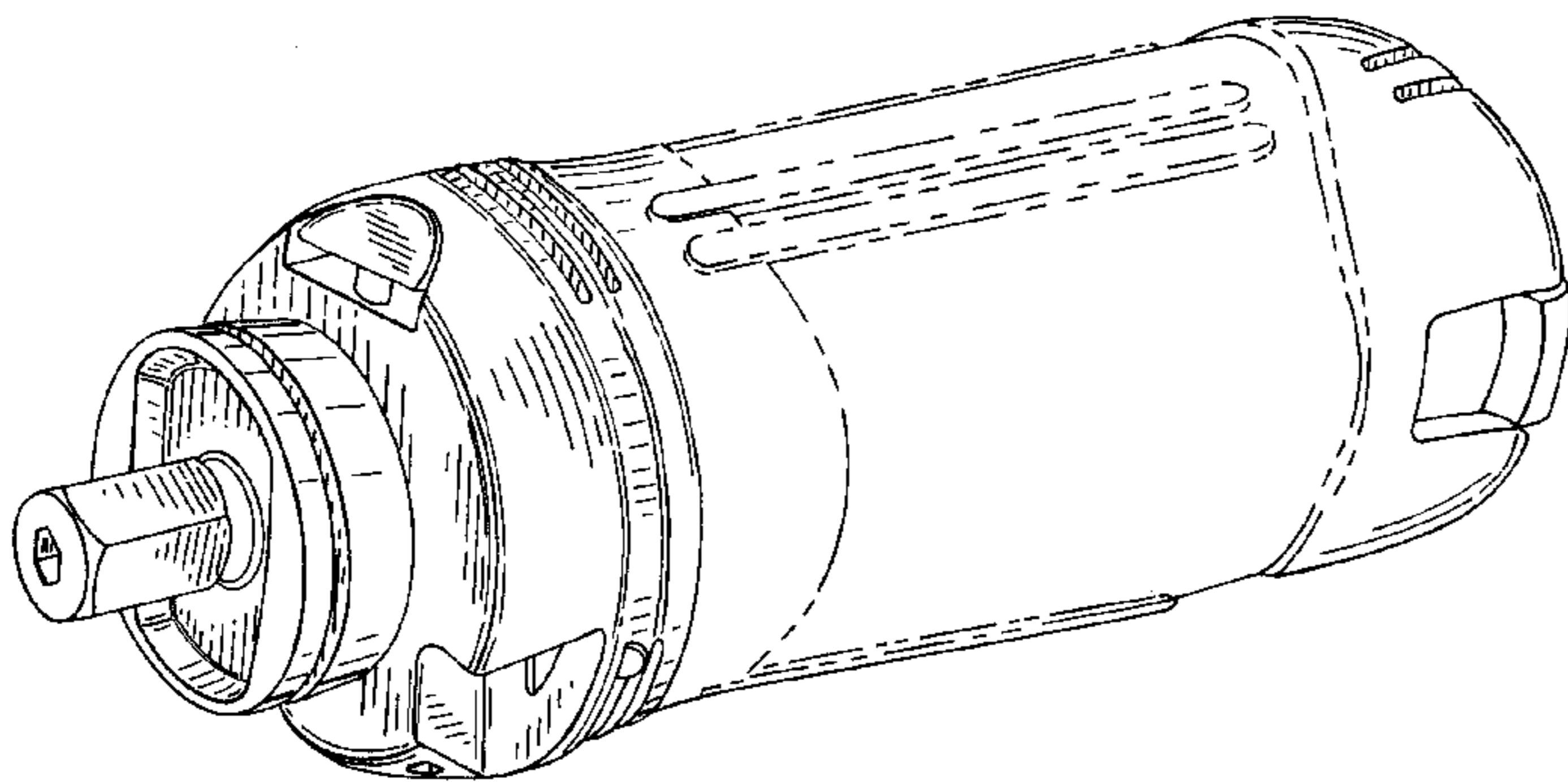
The ornamental design for a spiral cutting tool, as shown and described.

DESCRIPTION

FIG. 1 is a perspective view of the claimed design; FIG. 2 is a first side view thereof; FIG. 3 is a second side view thereof; FIG. 4 is a third side view thereof; FIG. 5 is a fourth side view thereof; FIG. 6 is a bottom view thereof; and, FIG. 7 is a top view thereof.

The broken line disclosure shown superimposed on continuous claimed surfaces in the drawings are for illustrative purposes only and form no part of the claimed design.

1 Claim, 6 Drawing Sheets



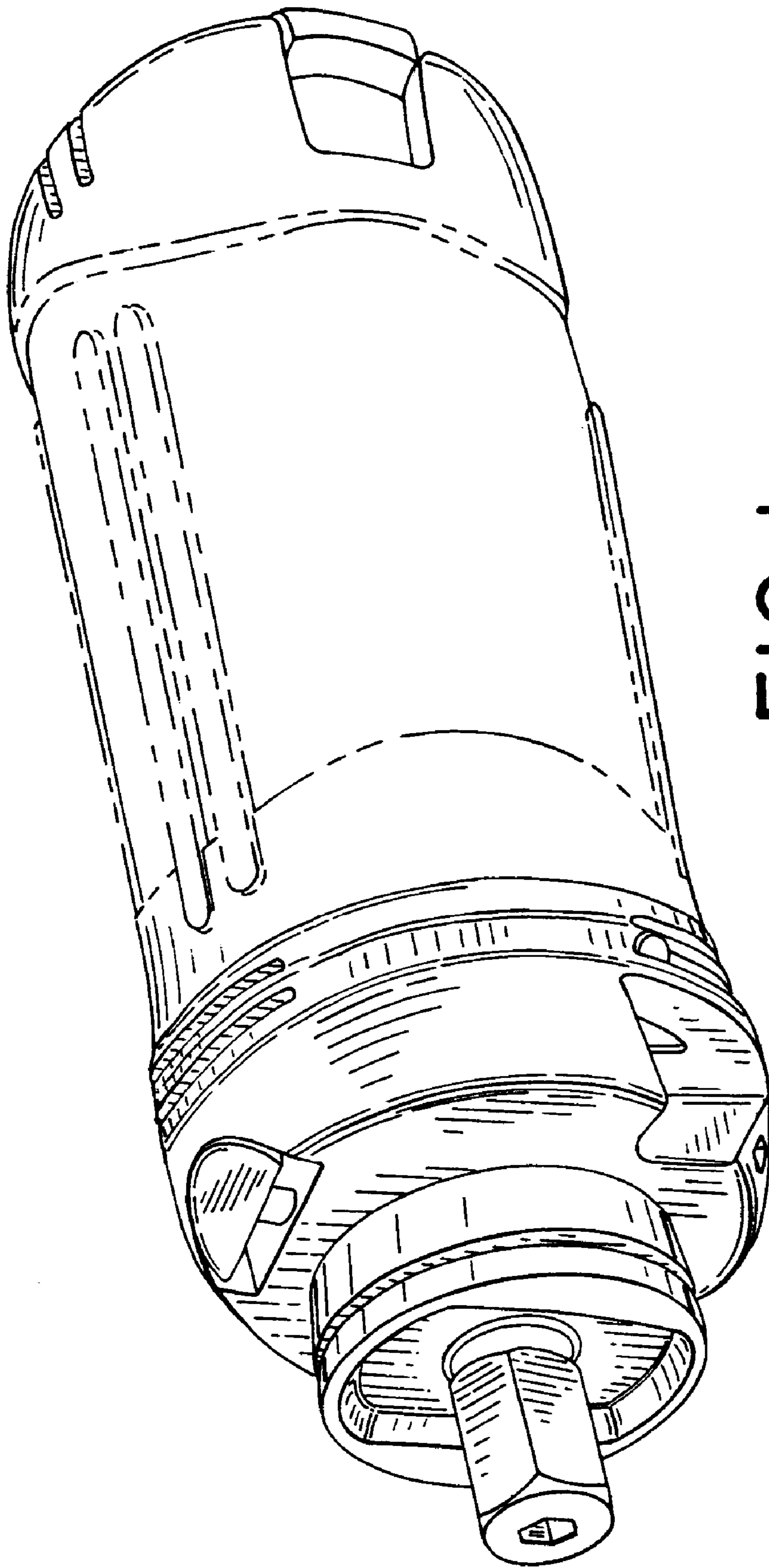


FIG. 1

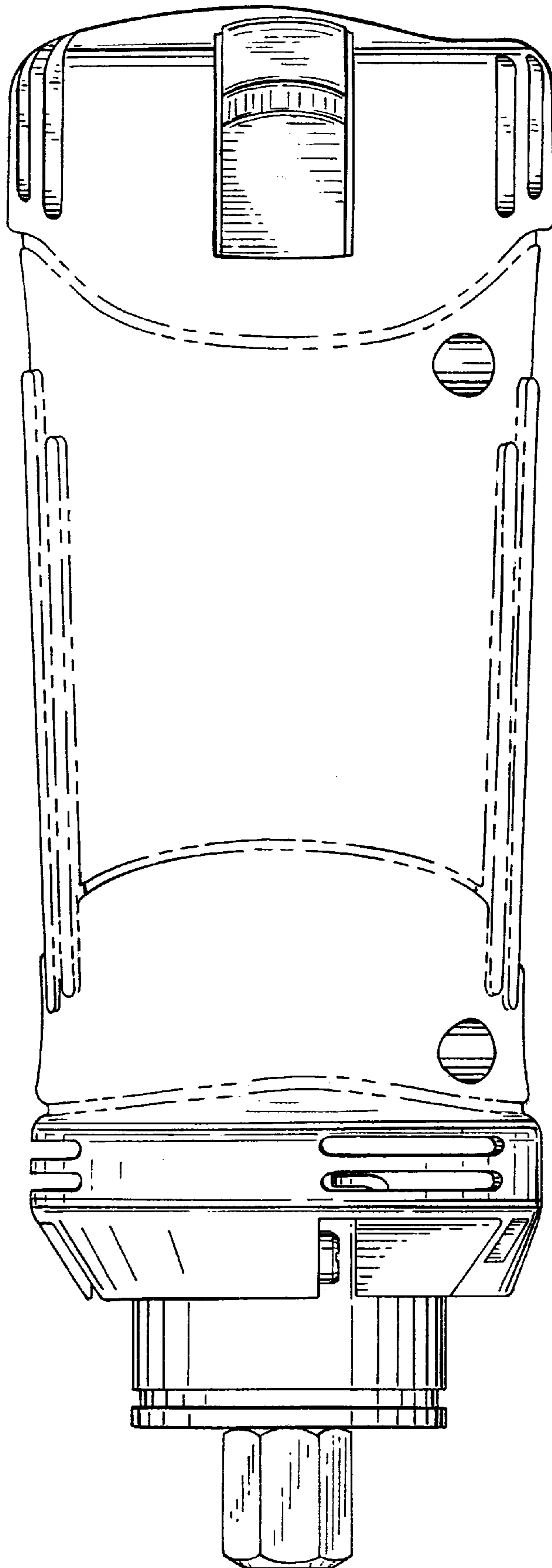


FIG. 2

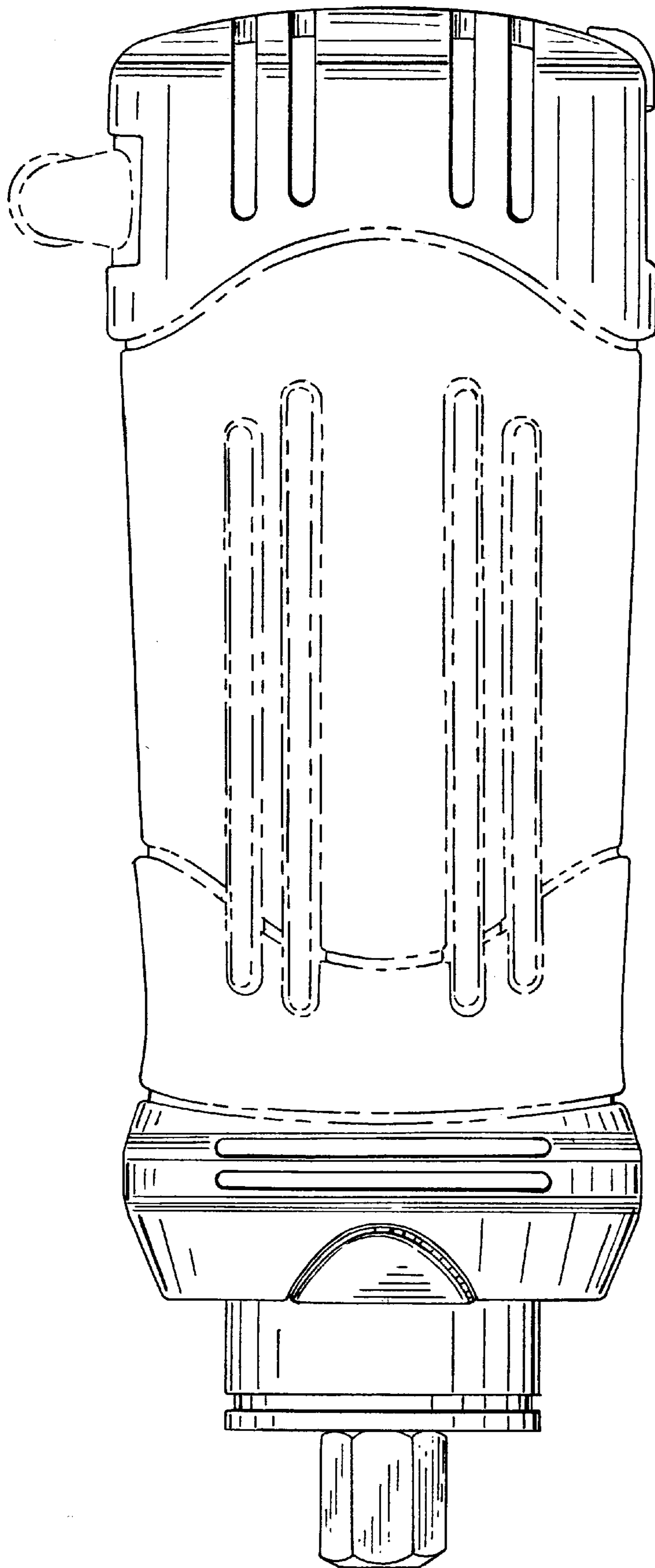
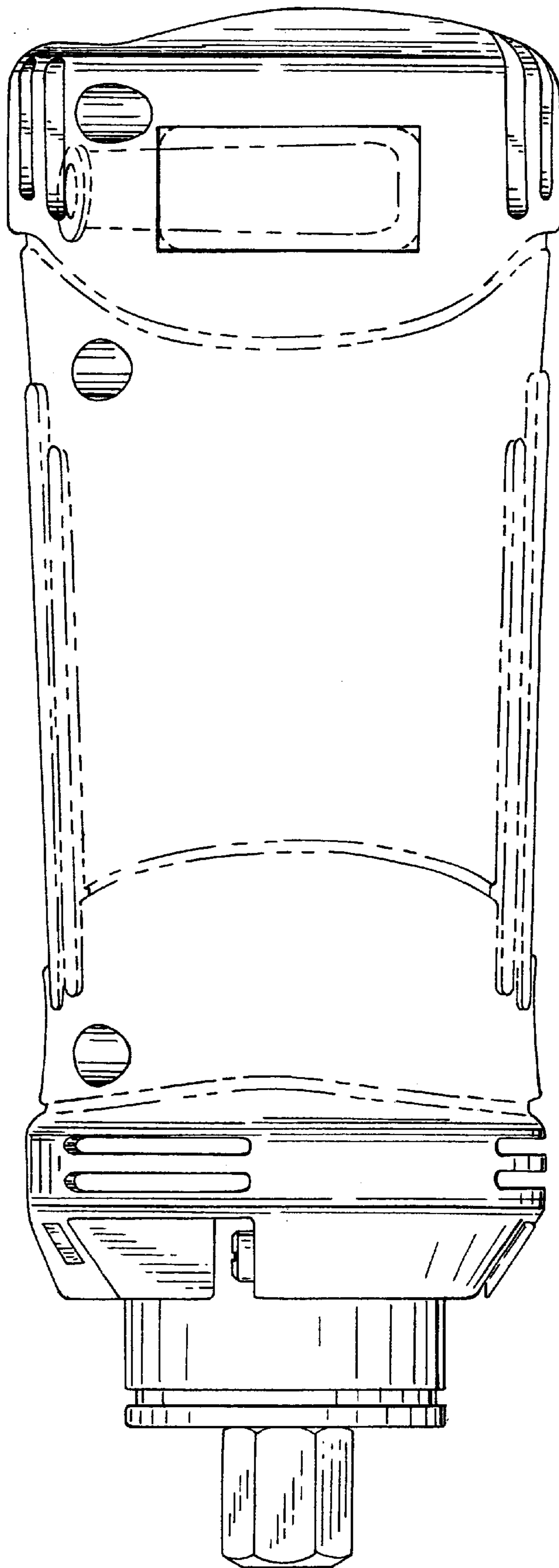


FIG. 3

FIG. 4



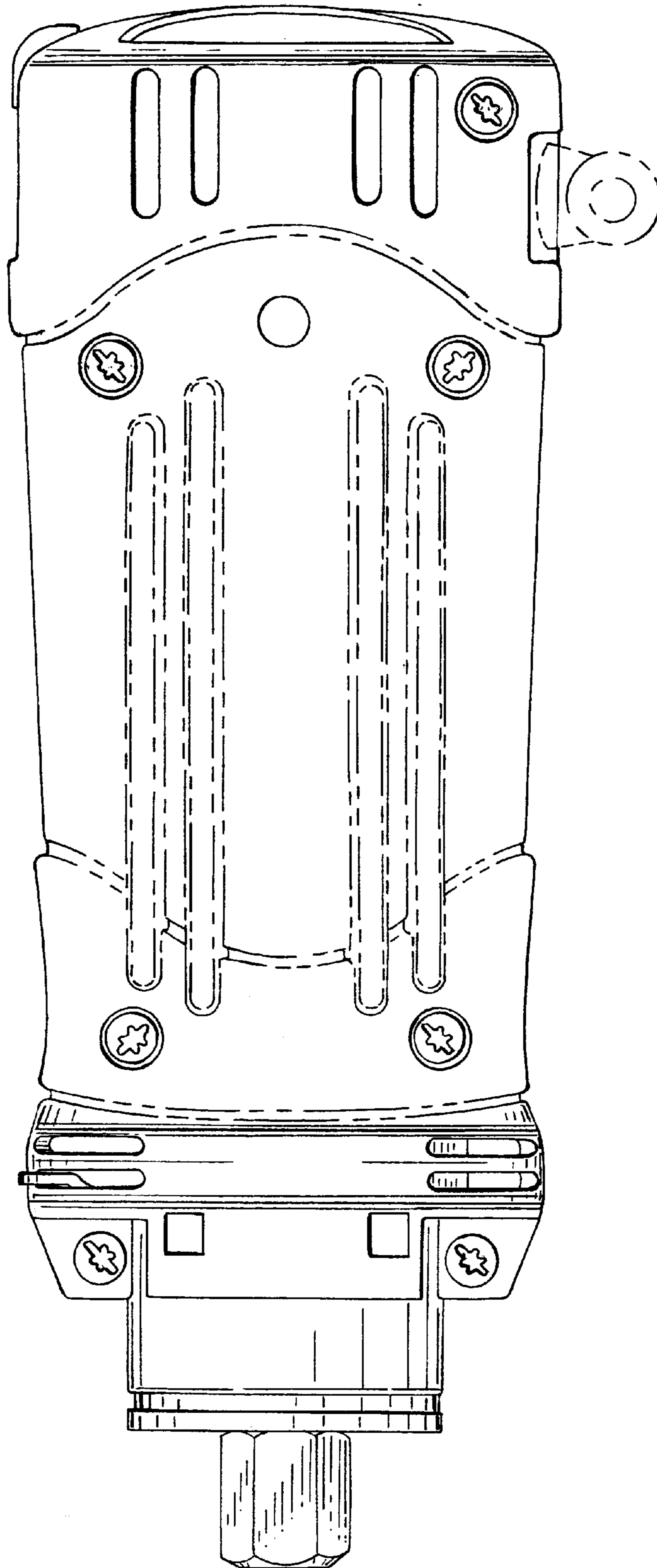


FIG. 5

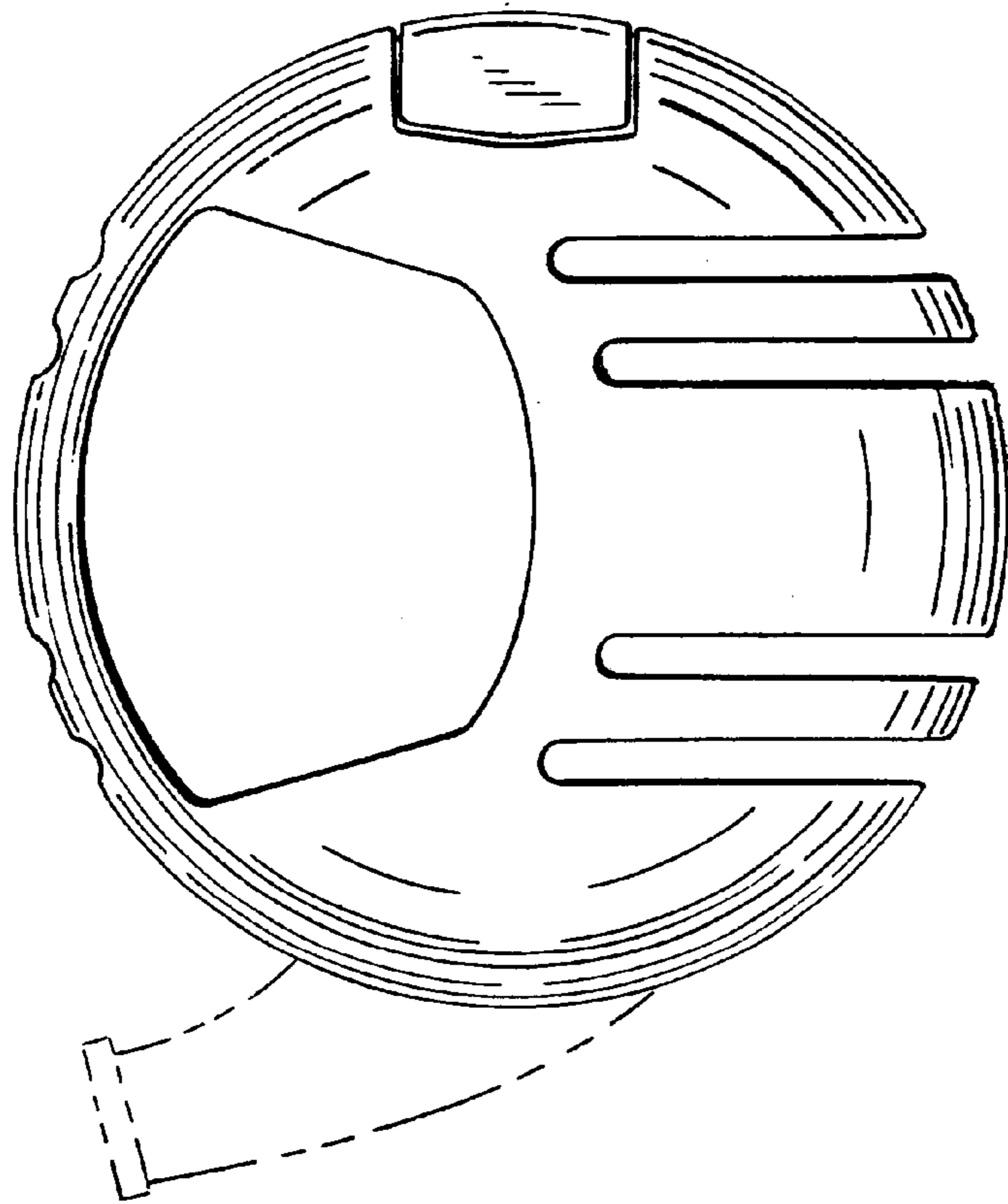


FIG. 7

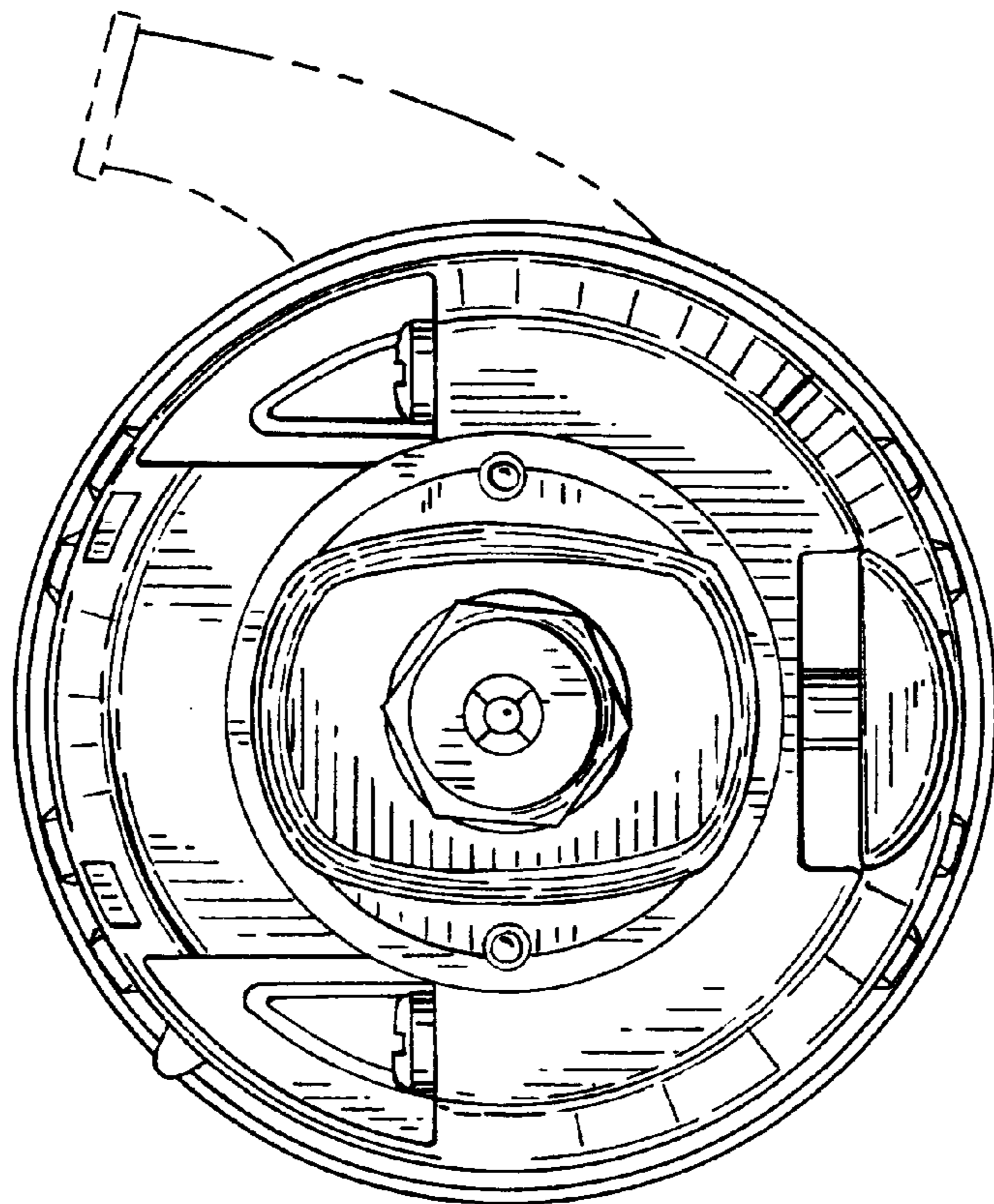


FIG. 6