



US00D439121S

(12) **United States Design Patent**  
**Hsu**

(10) **Patent No.:** **US D439,121 S**

(45) **Date of Patent:** **\*\* Mar. 20, 2001**

(54) **RATCHET WRENCH**

6,125,722 \* 10/2000 Hopper, Jr. et al. .... 81/62

(76) Inventor: **Frank Hsu**, 14F-3, No. 148,  
Chung-Hsing E. Rd., Tai-Ping City,  
Taichung Hsien (TW)

\* cited by examiner

*Primary Examiner*—Raphael Barkai  
(74) *Attorney, Agent, or Firm*—Merchant & Gould P.C.

(\*\*) Term: **14 Years**

(57) **CLAIM**

(21) Appl. No.: **29/129,488**

The ornamental design for ratchet wrench, as shown and described.

(22) Filed: **Sep. 14, 2000**

(51) **LOC (7) Cl.** ..... **08-05**

(52) **U.S. Cl.** ..... **D8/25**

(58) **Field of Search** ..... D8/21-29; 81/60-63.2,  
81/177.1, 177.85

**DESCRIPTION**

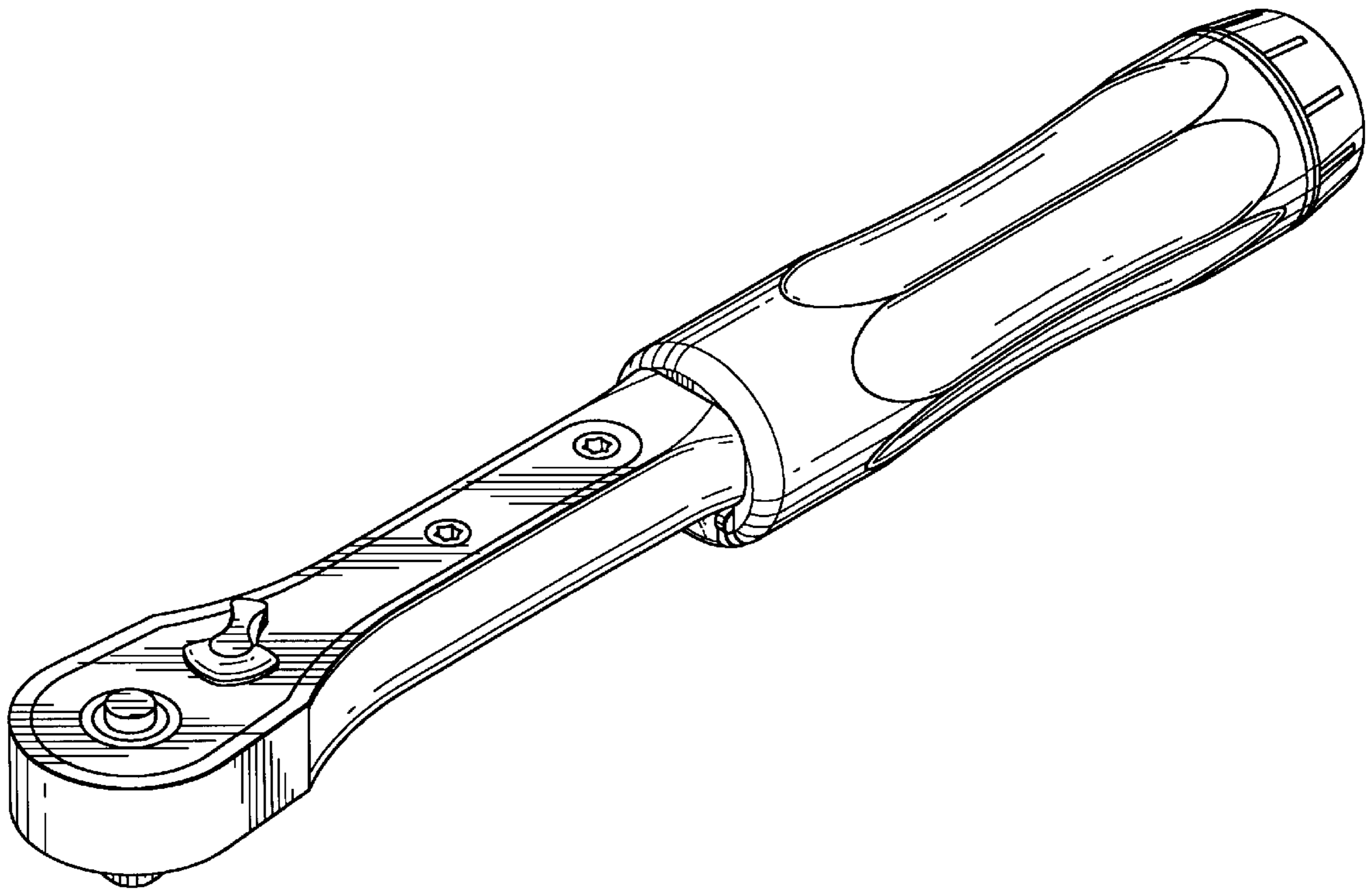
FIG. 1 is a perspective view of ratchet wrench showing my new design;  
FIG. 2 is a front elevational view thereof;  
FIG. 3 is a rear elevational view thereof;  
FIG. 4 is a left side elevational view thereof;  
FIG. 5 is a right side elevational view thereof;  
FIG. 6 is a top plan view thereof; and,  
FIG. 7 is a bottom plan view thereof.

(56) **References Cited**

**U.S. PATENT DOCUMENTS**

- D. 326,985 \* 6/1992 Chow ..... D8/25
- D. 361,484 \* 8/1995 Whitley ..... D8/25
- 5,687,820 \* 11/1997 Lin ..... 81/63.1
- 5,910,197 \* 6/1999 Chaconas ..... 81/63.2

**1 Claim, 4 Drawing Sheets**



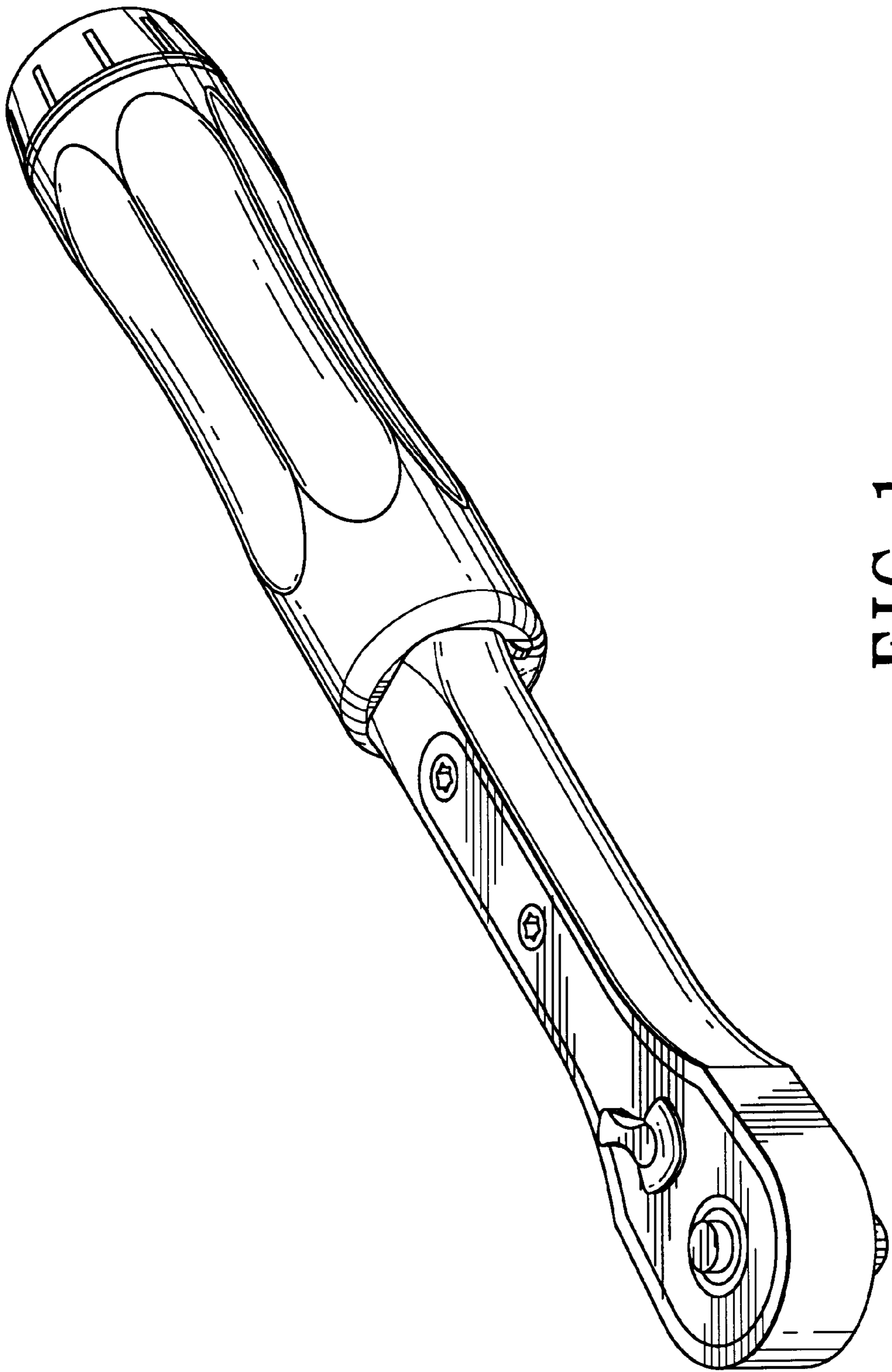


FIG. 1

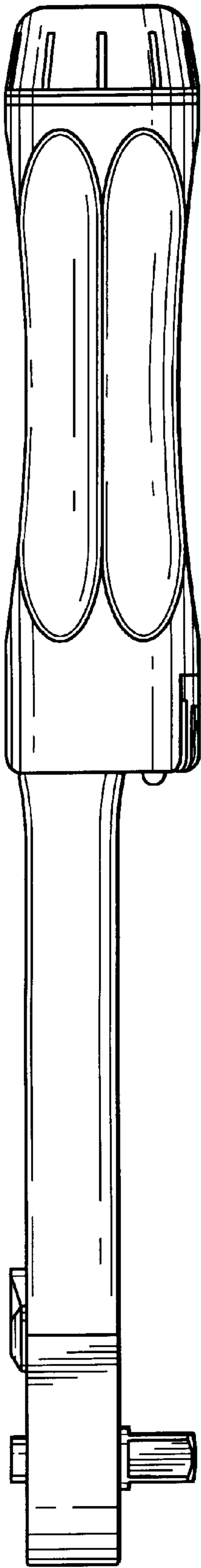


FIG. 2

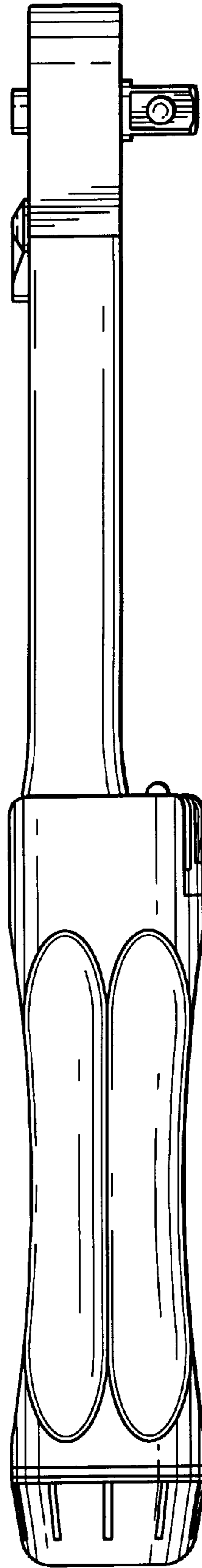


FIG. 3

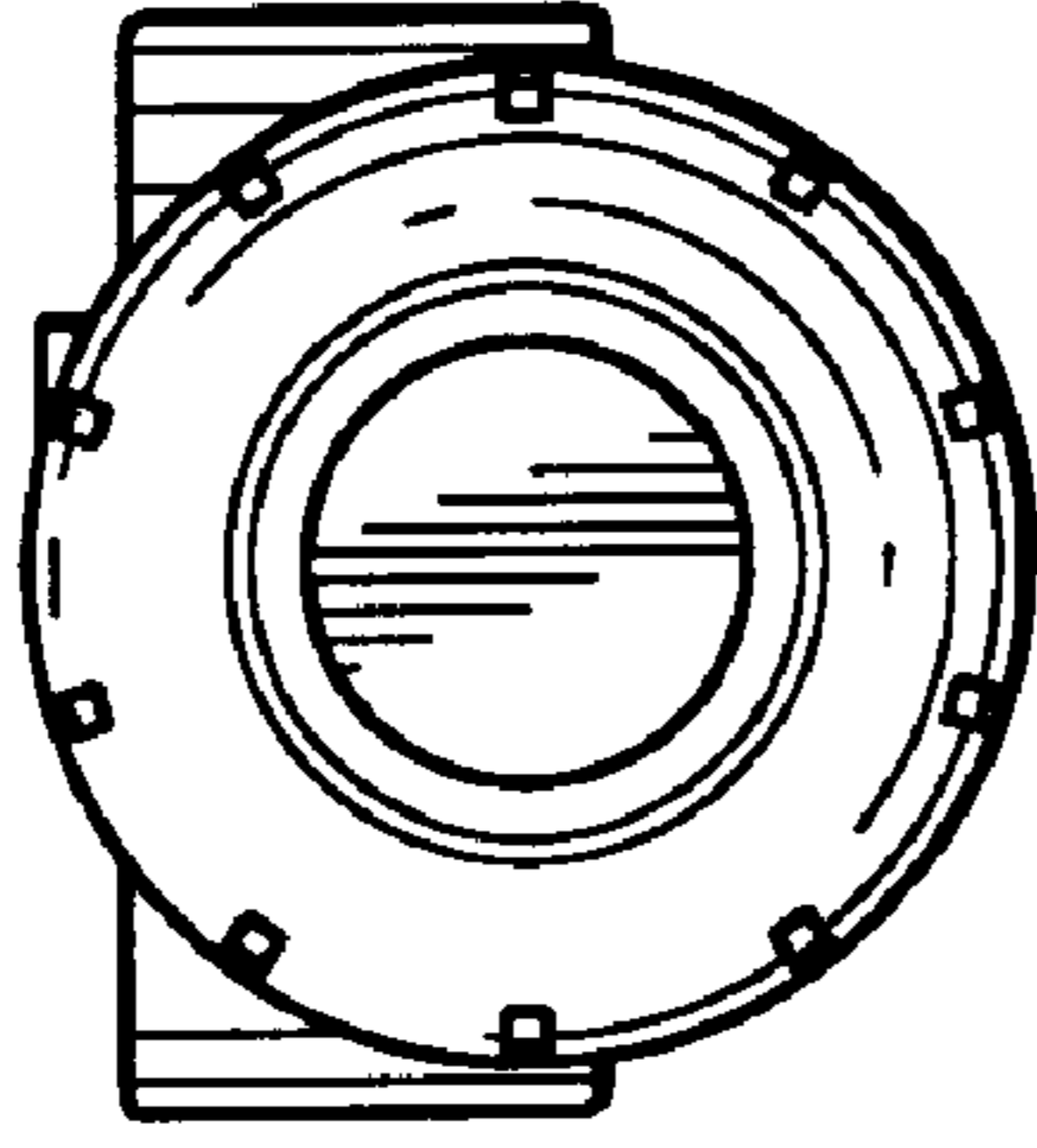


FIG. 5

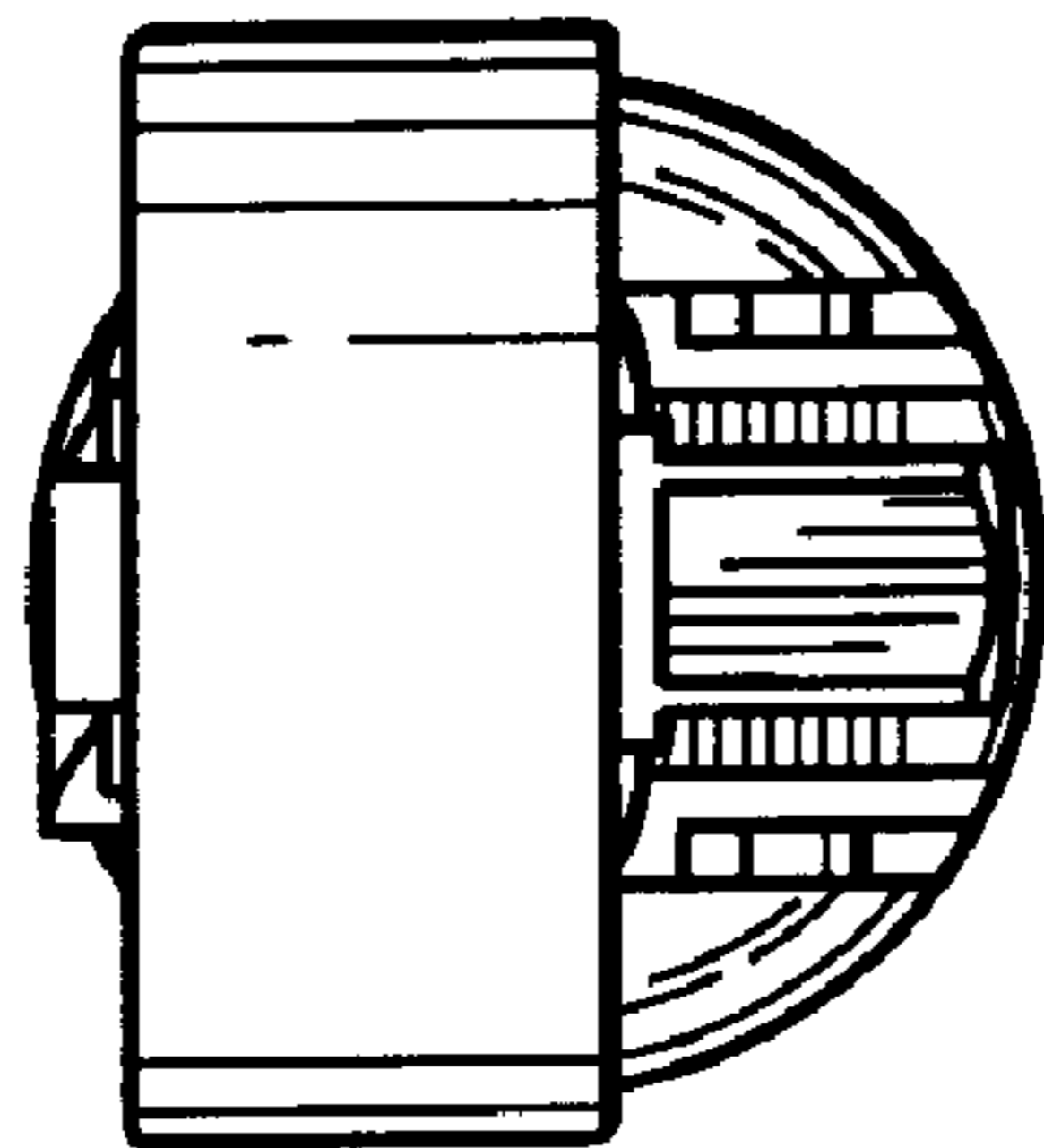


FIG. 4

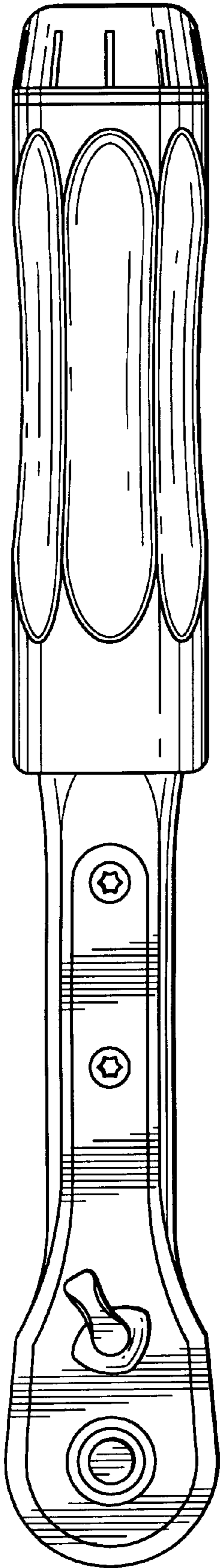


FIG. 6

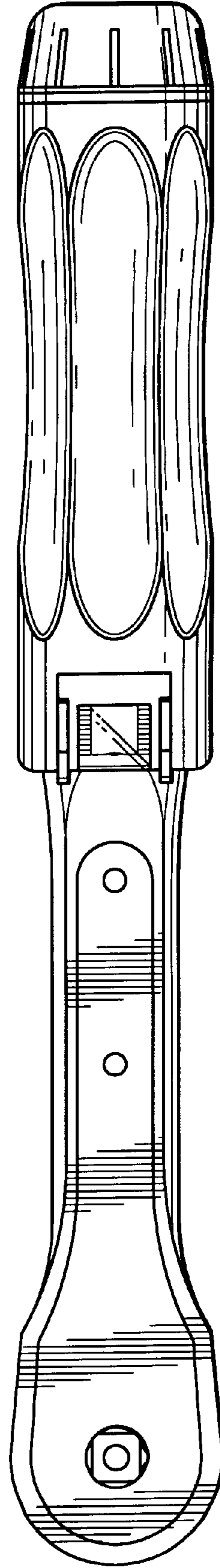


FIG. 7