



US00D439119S

(12) **United States Design Patent**  
**Colonello**

(10) **Patent No.:** **US D439,119 S**

(45) **Date of Patent:** **\*\* Mar. 20, 2001**

(54) **DISK RAKE**

(75) Inventor: **Alex Colonello**, Winnipeg (CA)

(73) Assignee: **Bayco Golf Inc.**, Winnipeg (CA)

(\*\*) Term: **14 Years**

(21) Appl. No.: **29/125,382**

(22) Filed: **Jun. 22, 2000**

(30) **Foreign Application Priority Data**

Mar. 20, 2000 (CA) ..... 2000-0757

(51) **LOC (7) Cl.** ..... **08-01**

(52) **U.S. Cl.** ..... **D8/13**

(58) **Field of Search** ..... D8/1, 13; 56/400.05,  
56/400.04, 400.17, 400.21; 294/49, 52

(56) **References Cited**

**U.S. PATENT DOCUMENTS**

D. 350,464 \* 9/1994 Colonello ..... D8/13

D. 392,854 \* 3/1998 Gregory ..... D8/13

D. 393,191 \* 4/1998 Latto ..... D8/13

D. 397,592 \* 9/1998 Widmer ..... D8/13

D. 409,461 \* 5/1999 Kiefer ..... D8/13

\* cited by examiner

*Primary Examiner*—Robin V. Taylor

(74) *Attorney, Agent, or Firm*—Adrian D. Battison

(57) **CLAIM**

The ornamental design for a disk rake, as shown and described.

**DESCRIPTION**

FIG. 1 is an isometric view of a rake head to which the present design has been applied.;

FIG. 2 is a right end view of the rake head;

FIG. 3 is a front view of the rake head;

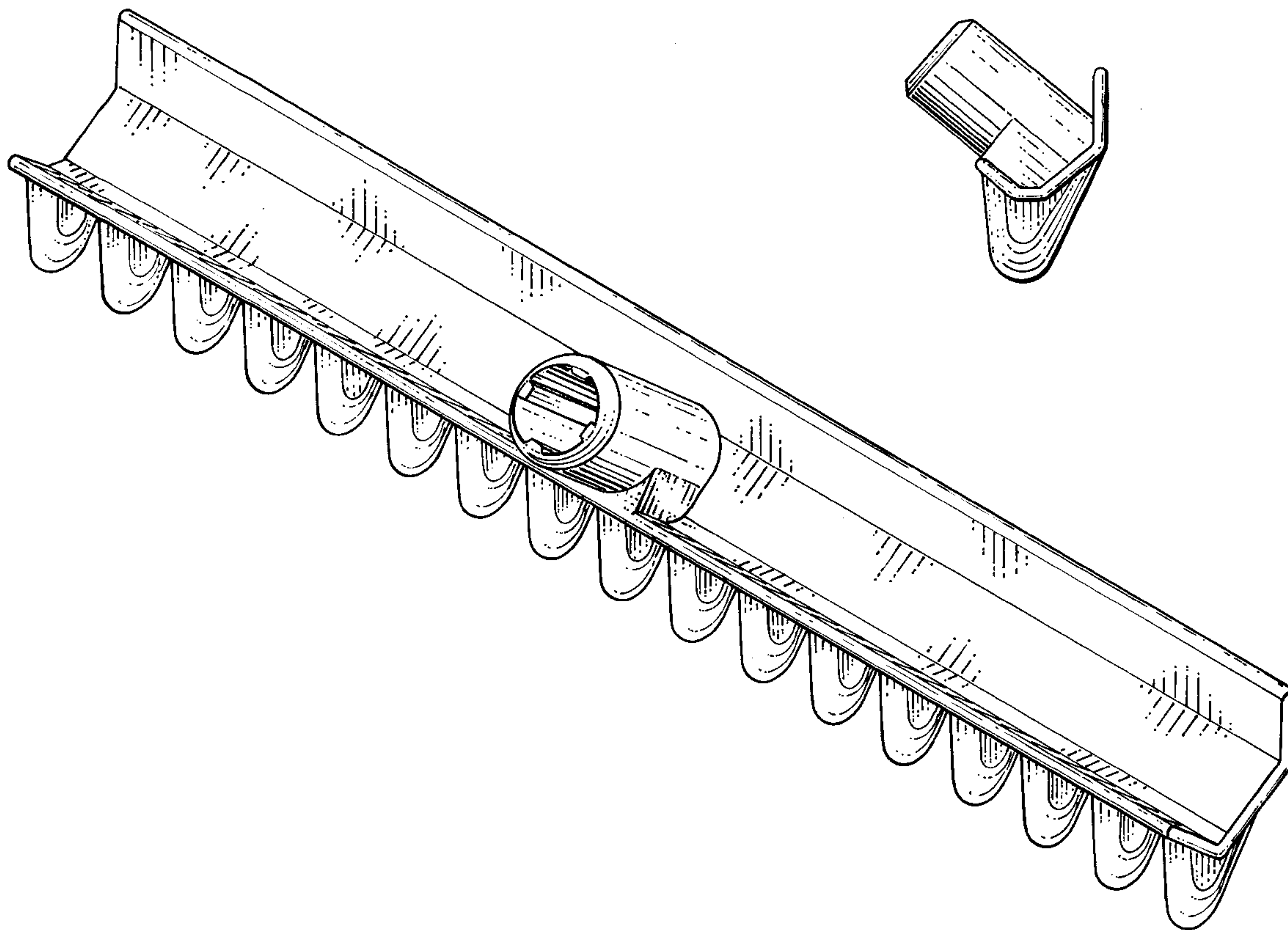
FIG. 4 is a back view of the rake head;

FIG. 5 is a top view of the rake head; and,

FIG. 6 is a bottom view of the rake head.

The left end view is a mirror image of the right end view.

**1 Claim, 3 Drawing Sheets**



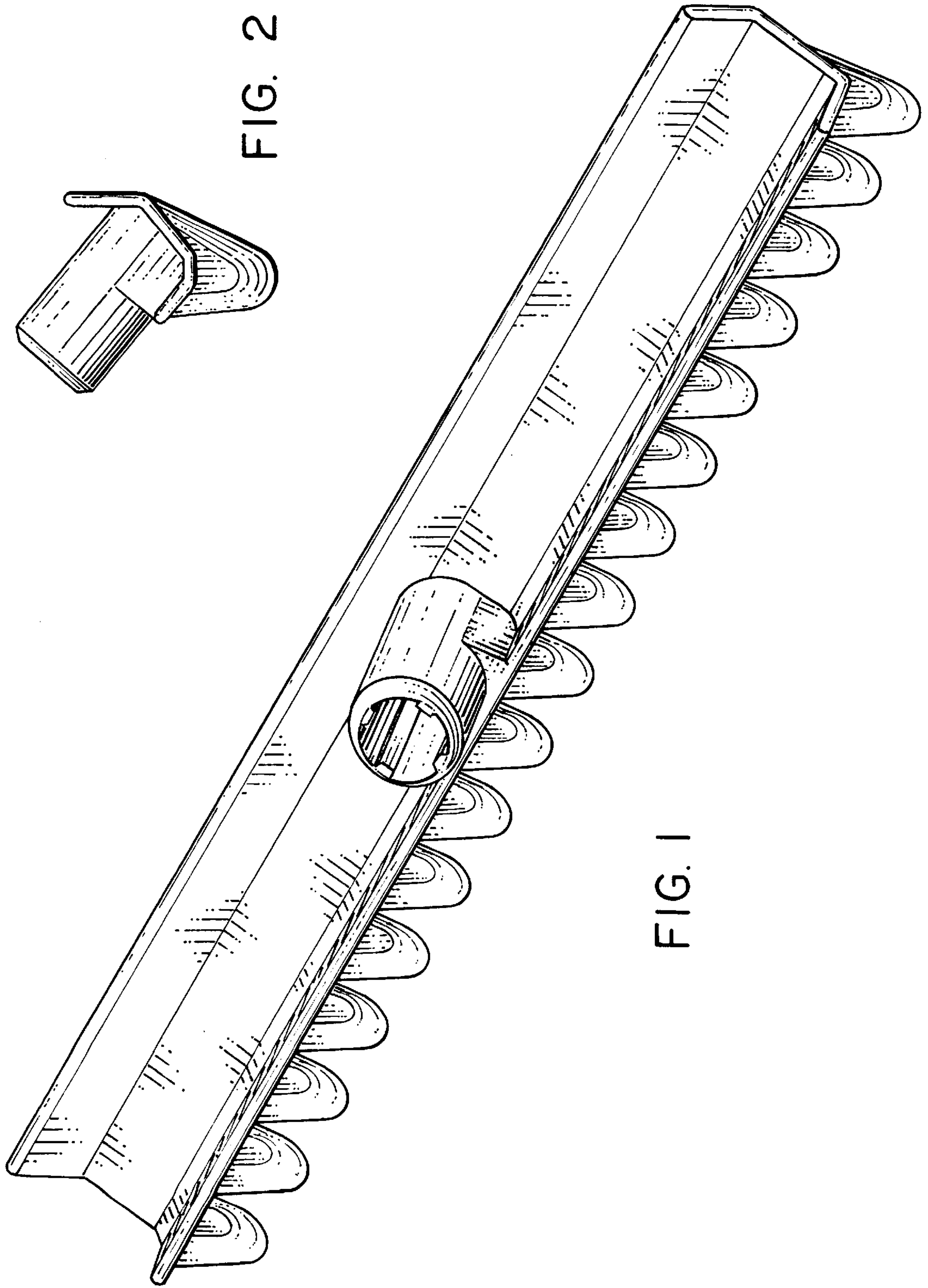


FIG. 2

FIG. 1

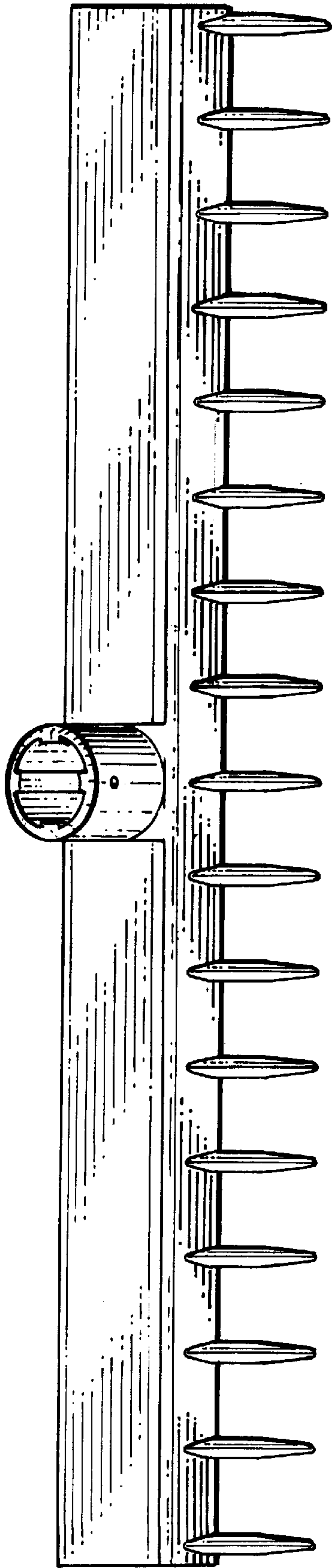


FIG. 3

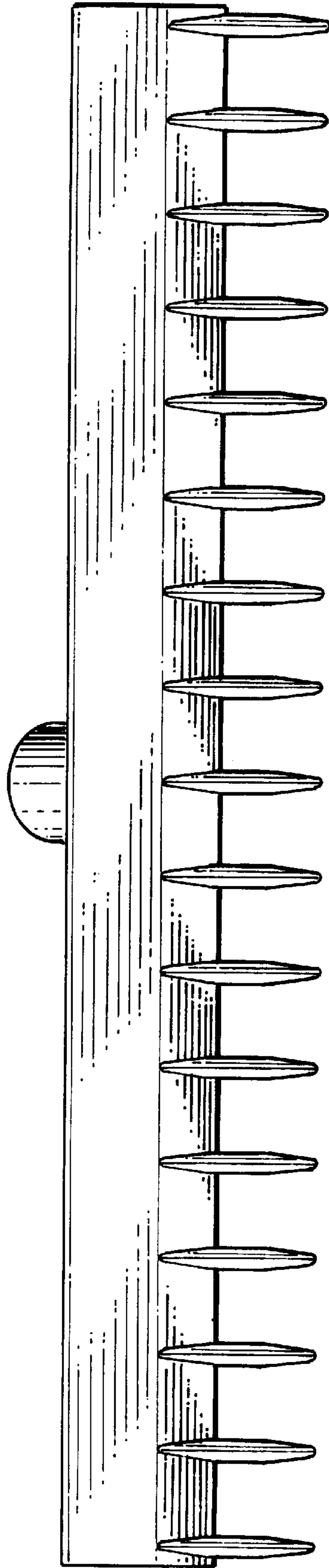


FIG. 4

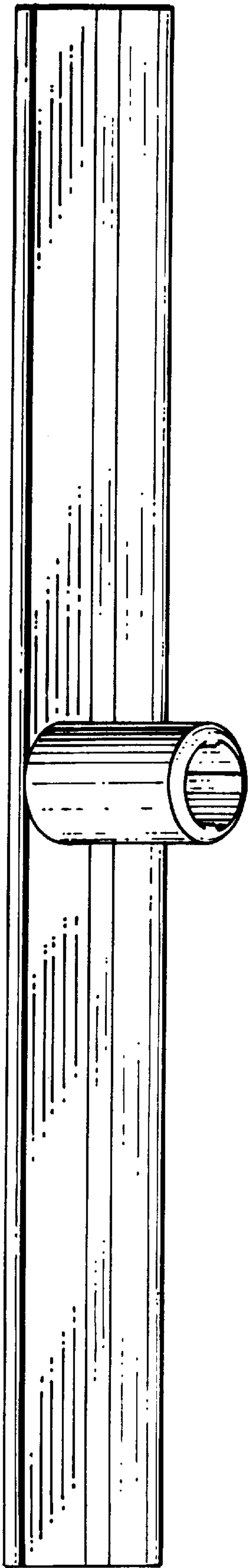


FIG. 5

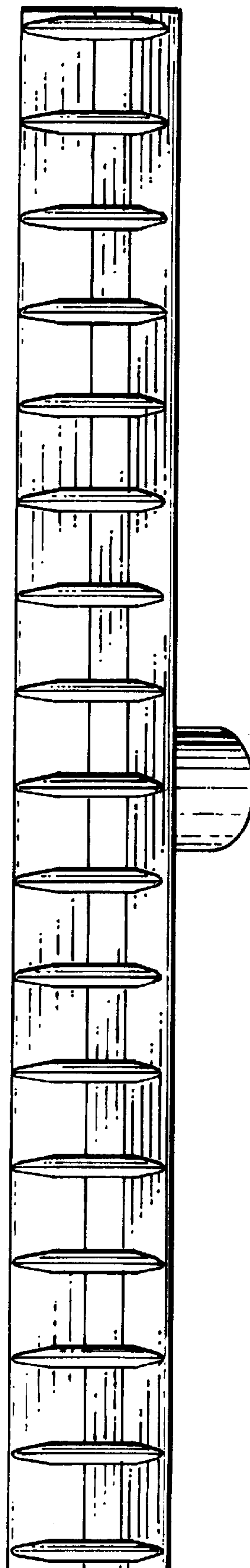


FIG. 6