



US00D439115S

(12) **United States Design Patent**
Bidwell

(10) **Patent No.:** **US D439,115 S**

(45) **Date of Patent:** **** Mar. 20, 2001**

(54) **REPLICA COOLER**

(76) Inventor: **Christopher C. Bidwell**, 1009 Dunbar Dr., Dunwoody, GA (US) 30338

(**) Term: **14 Years**

(21) Appl. No.: **29/117,212**

(22) Filed: **Jan. 18, 2000**

(51) **LOC (7) Cl.** **07-01**

(52) **U.S. Cl.** **D7/606; D21/578**

(58) **Field of Search** **D7/605, 606; D21/578, D21/622, 623; D9/307; 62/457.1, 457.7; 206/457**

(56) **References Cited**

U.S. PATENT DOCUMENTS

D. 251,628	*	4/1979	McQuarrie et al.	D21/578
D. 293,345	*	12/1987	Takizawa	D21/578
D. 350,894	*	9/1994	Meng	D9/307
D. 353,323	*	12/1994	Meng	D9/307

* cited by examiner

Primary Examiner—Terry A. Wallace

(74) *Attorney, Agent, or Firm*—Joel S. Goldman; Troutman Sanders LLP

(57) **CLAIM**

The ornamental design for a replica cooler, as shown and described.

DESCRIPTION

FIG. 1 is a top, front, right side isometric view of the replica cooler according to a first embodiment of the present invention;

FIG. 2 is a front side elevation view of the replica cooler of FIG. 1;

FIG. 3 is a right side elevation view of the replica cooler of FIG. 1;

FIG. 4 is a rear side elevation view of the replica cooler of FIG. 1;

FIG. 5 is a left side elevation view of the replica cooler illustrated in FIG. 1;

FIG. 6 is a top plan view of the replica cooler of FIG. 1;

FIG. 7 is a bottom plan view of the replica cooler of FIG. 1;

FIG. 8 is a cross-sectional view of the replica cooler of FIG. 1 along cut-line 8—8 of FIG. 6;

FIG. 9 is a top, front, right side isometric view of the replica cooler of FIG. 1 with the handle rotated 90 degrees and the lid separated from the base;

FIG. 10 is a top, front, right side isometric view of the replica cooler according to a second embodiment of the present invention;

FIG. 11 is a front side elevation view of the replica cooler of FIG. 10;

FIG. 12 is a right side elevation of the replica cooler of FIG. 10;

FIG. 13 is a rear side elevation view of the replica cooler of FIG. 10;

FIG. 14 is a left side elevation of the replica cooler of FIG. 10;

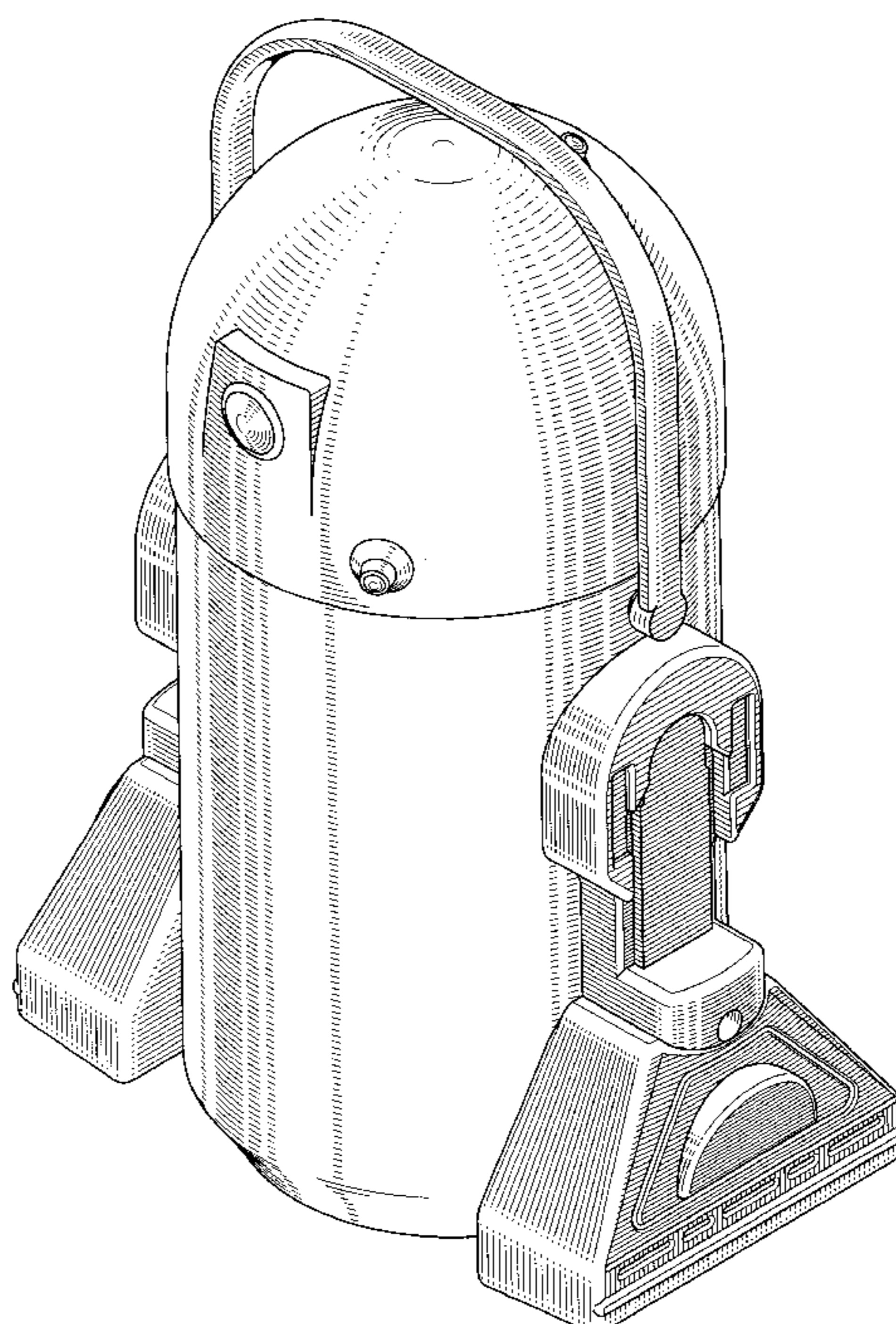
FIG. 15 is a top plan view of the replica cooler of FIG. 10;

FIG. 16 is a bottom plan view of the replica cooler of FIG. 10;

FIG. 17 is a cross-sectional view of the replica cooler of FIG. 10 along cut-line 17—17 of FIG. 15; and,

FIG. 18 is a top, front, right side isometric view of the replica cooler of FIG. 1 with the lid separated from the base.

1 Claim, 10 Drawing Sheets



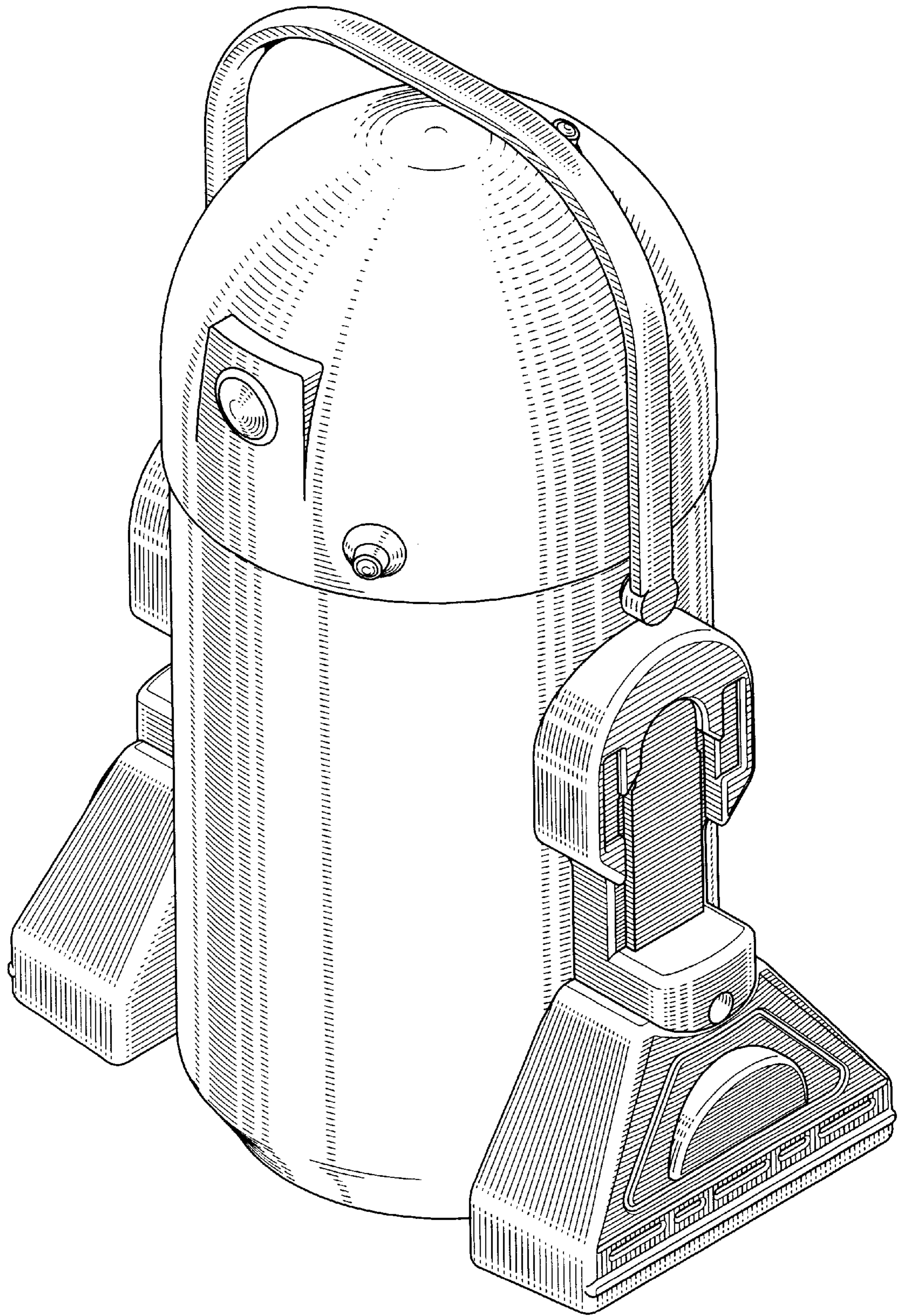


FIG 1

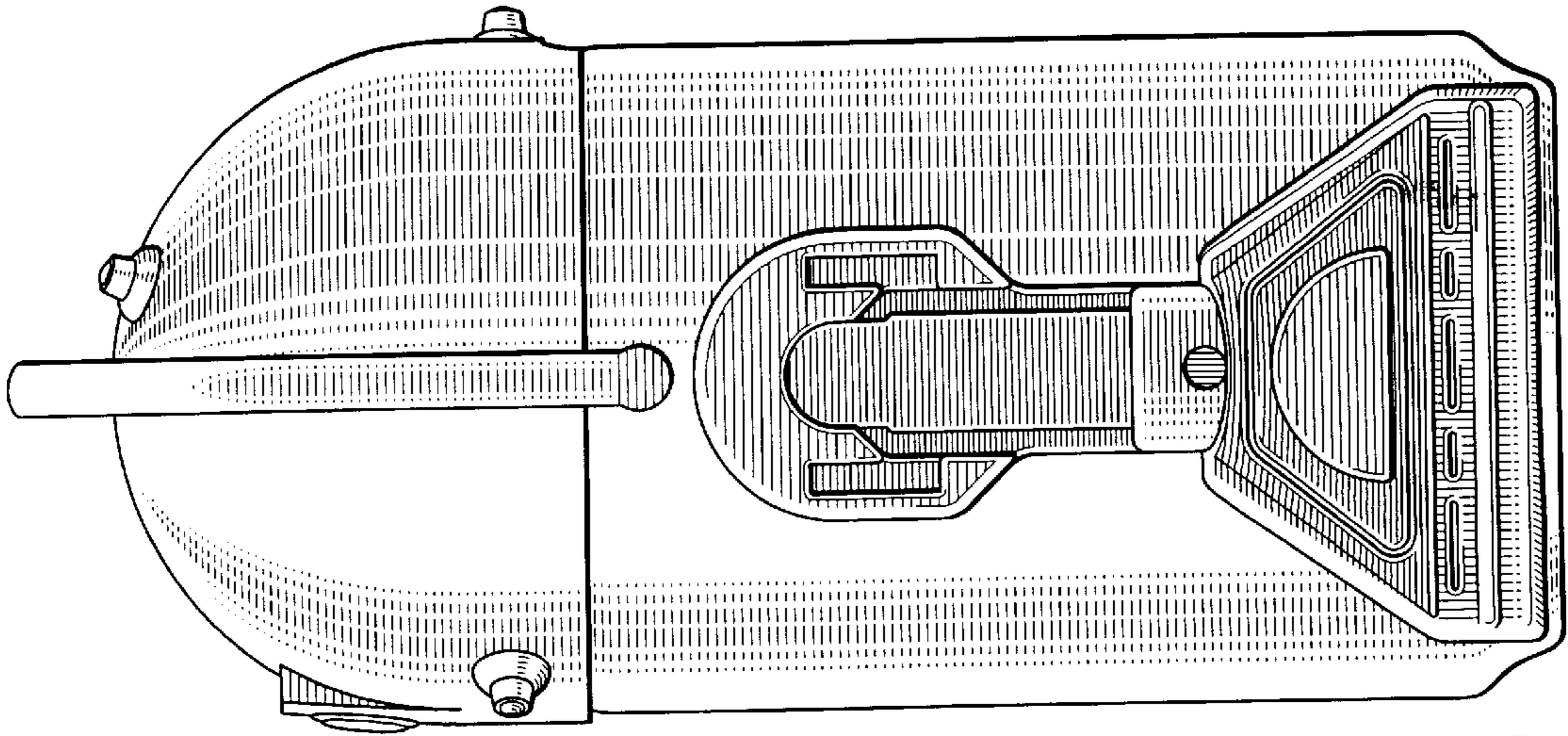


FIG 3

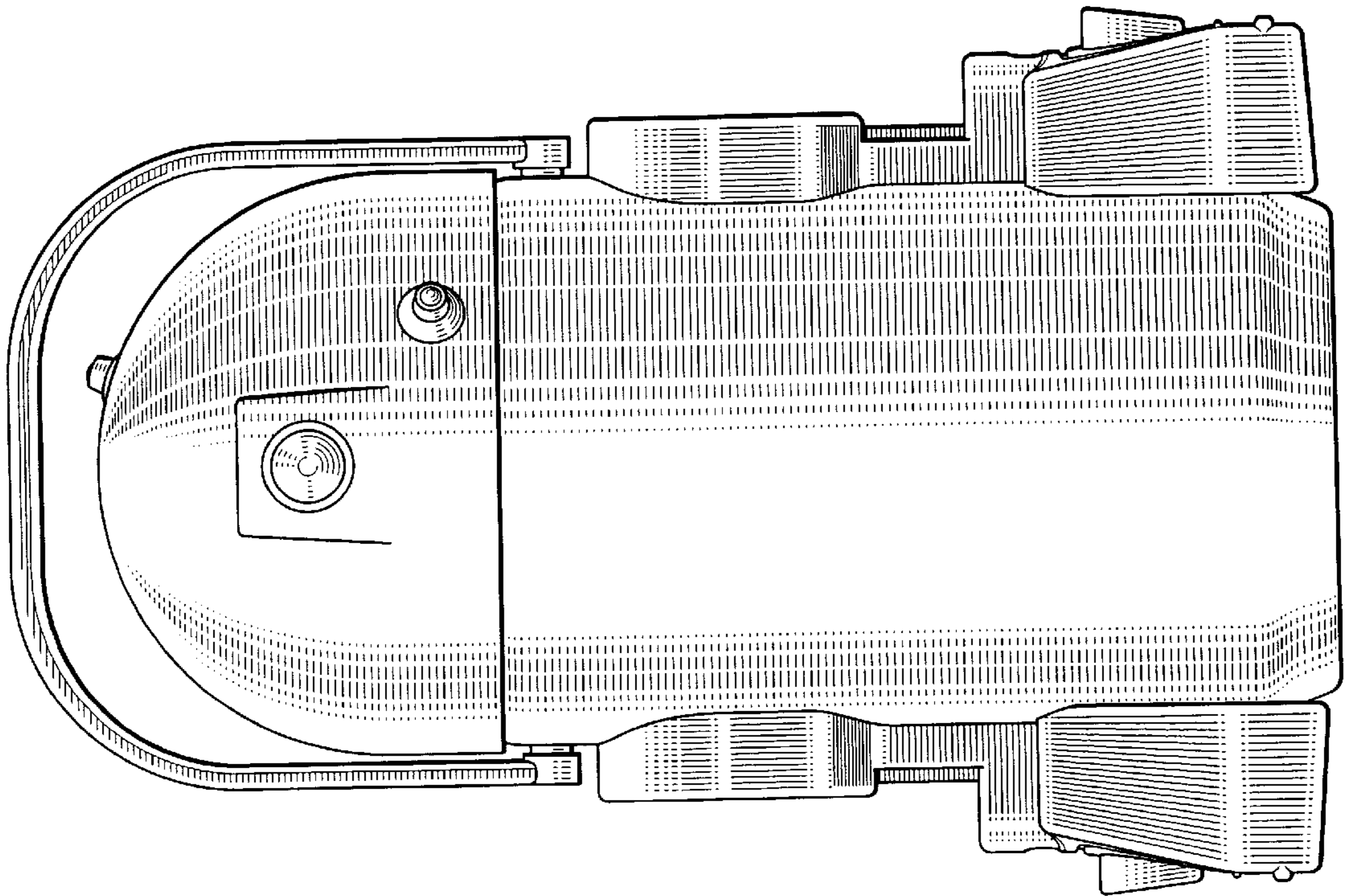


FIG 2

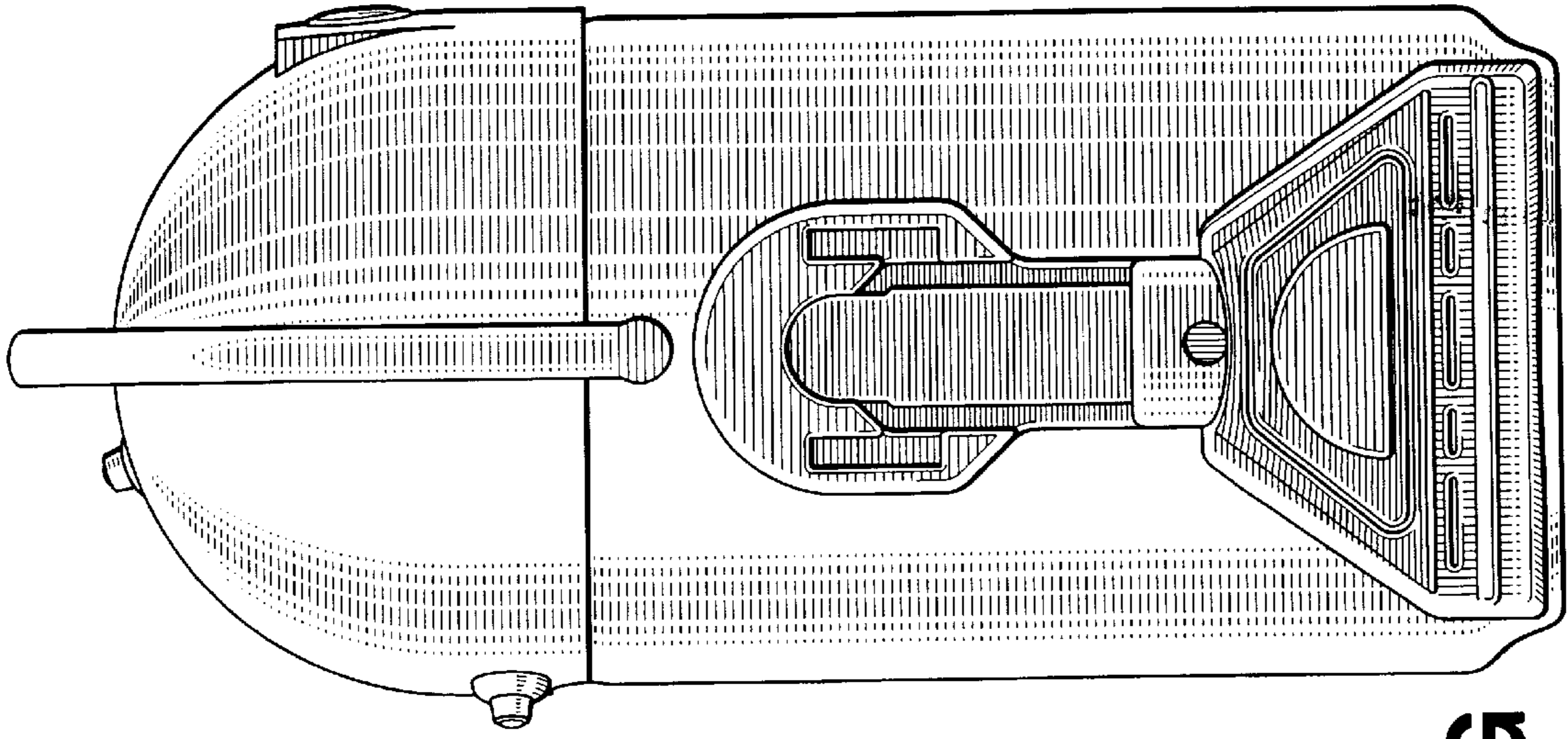


FIG 5

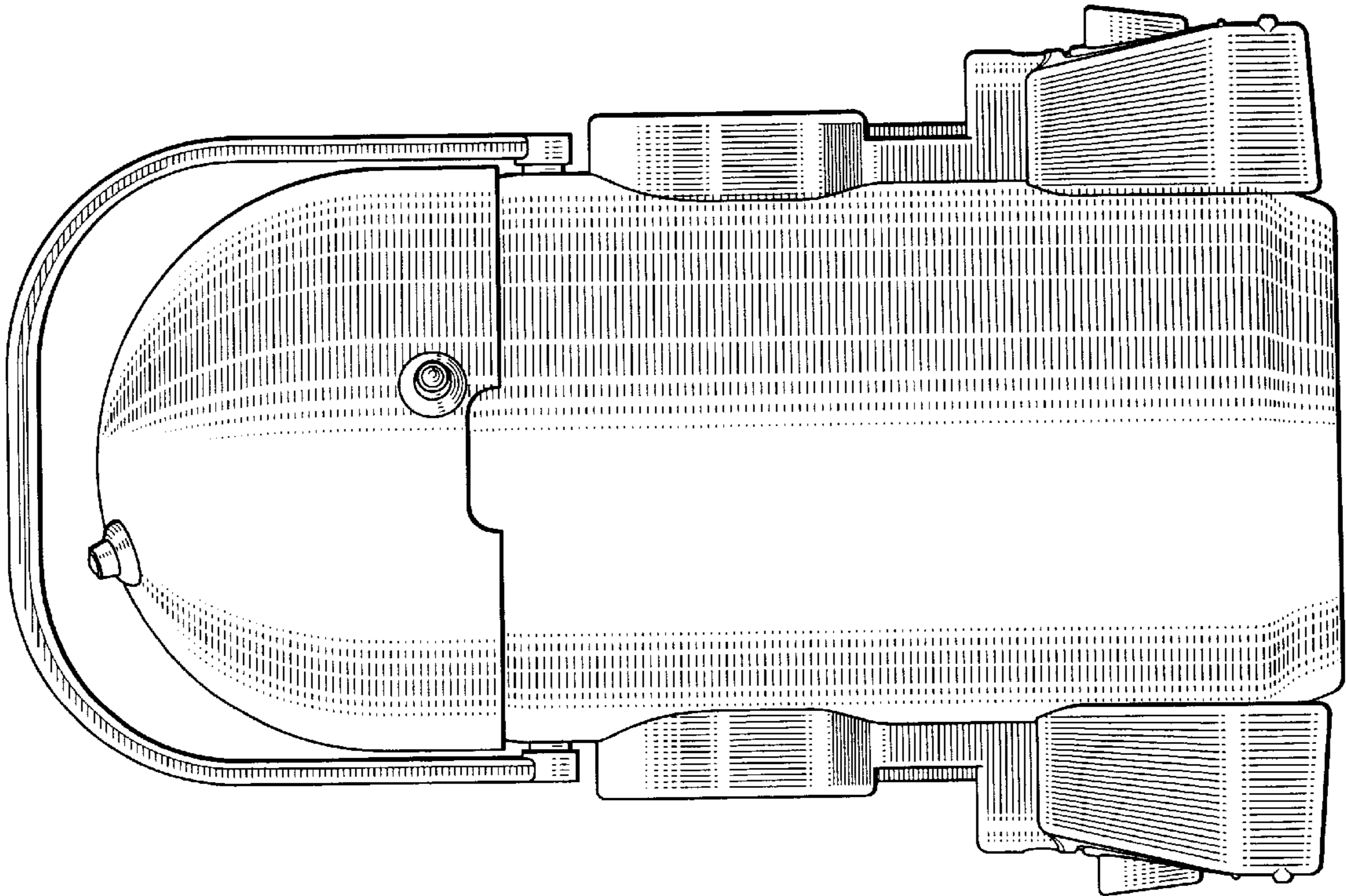


FIG 4

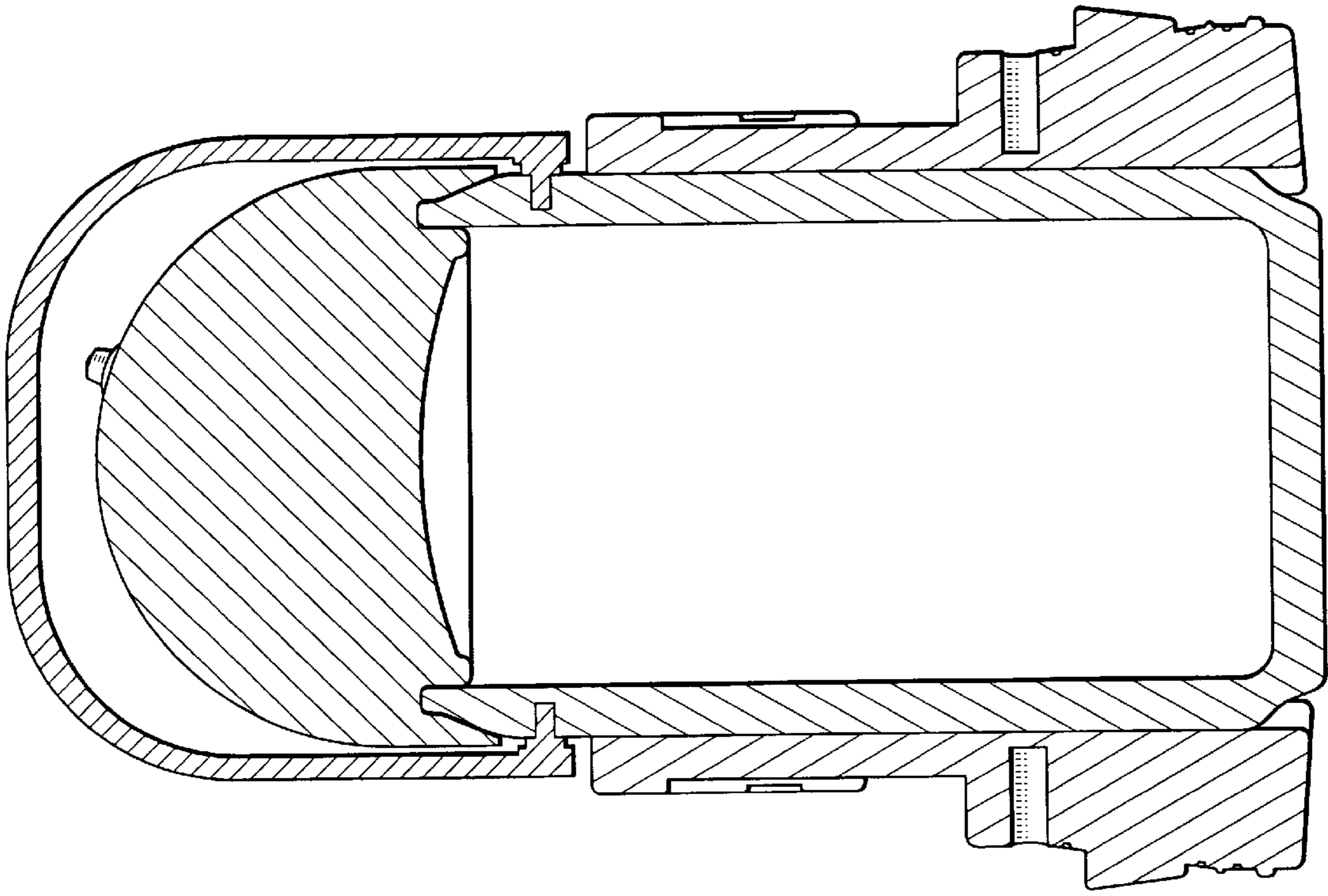


FIG 8

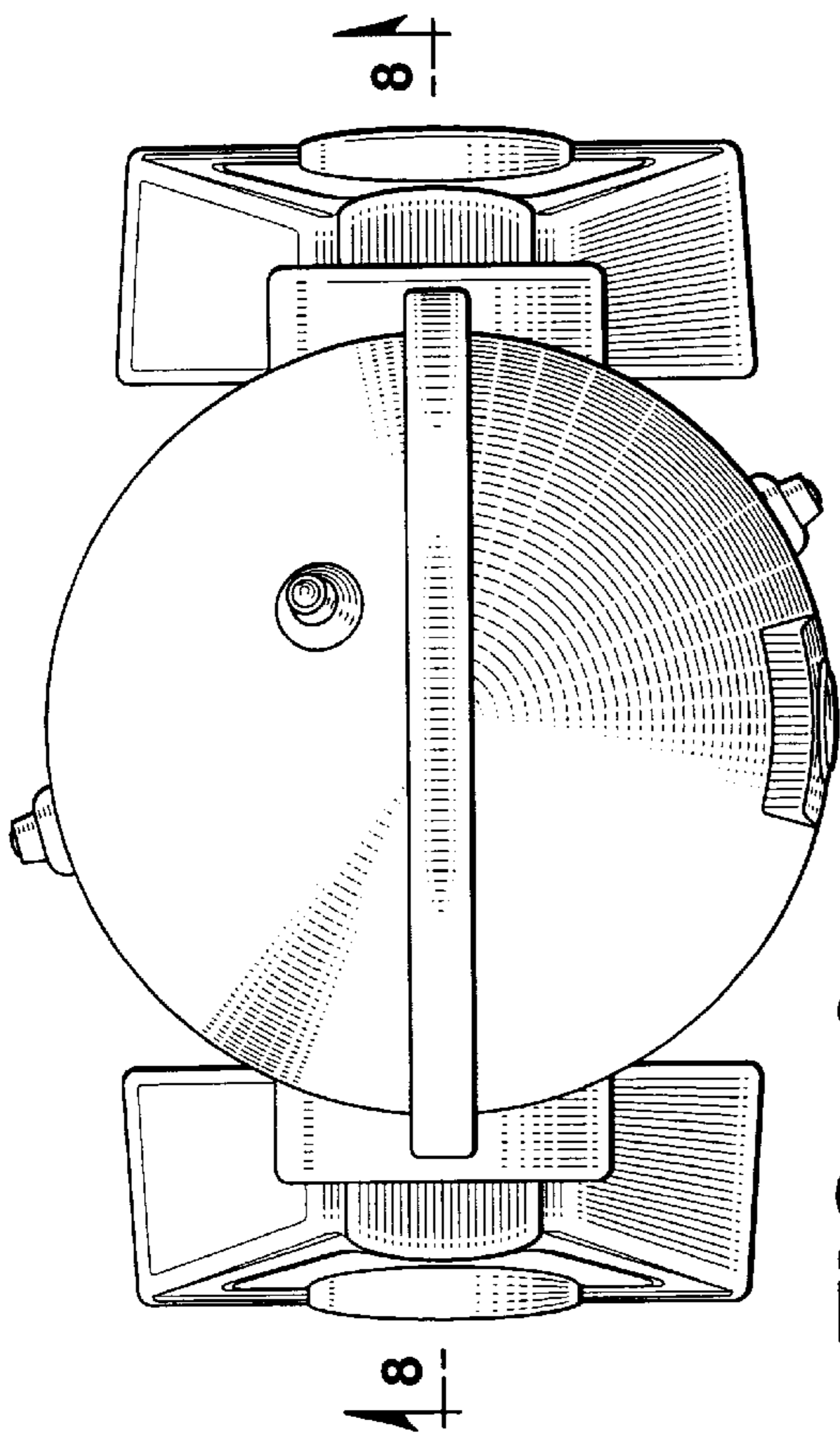


FIG 6

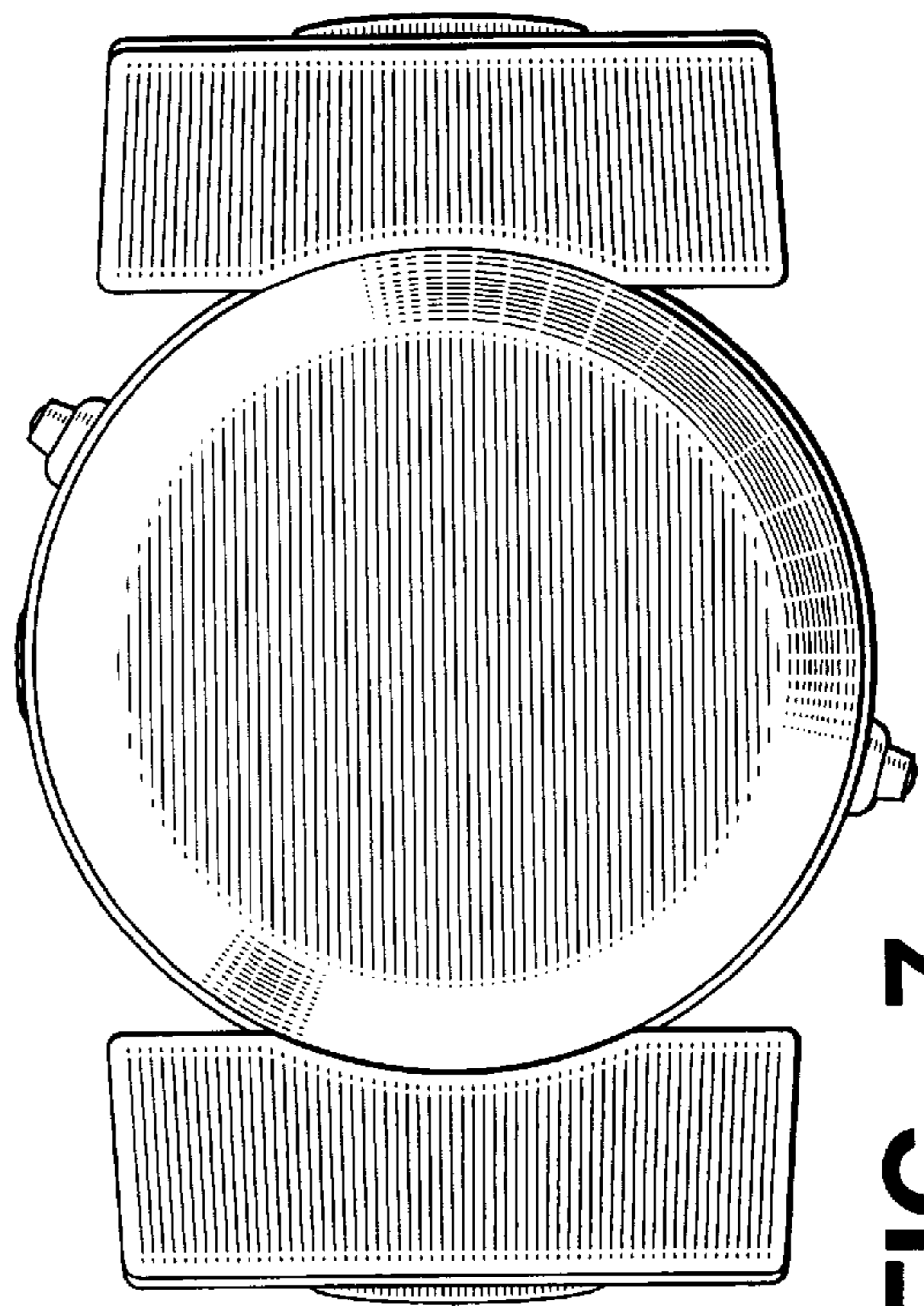
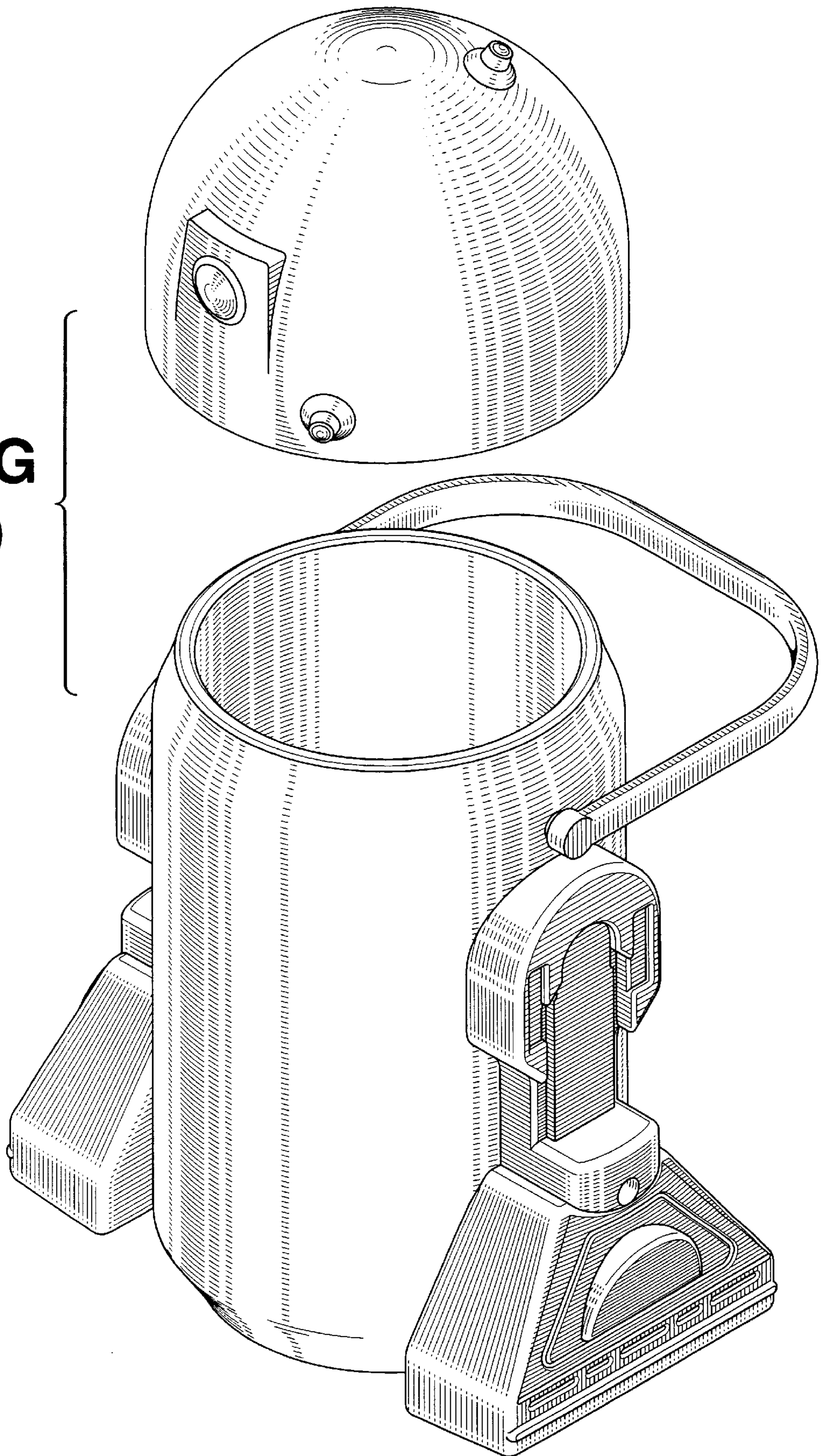


FIG 7

**FIG
9**



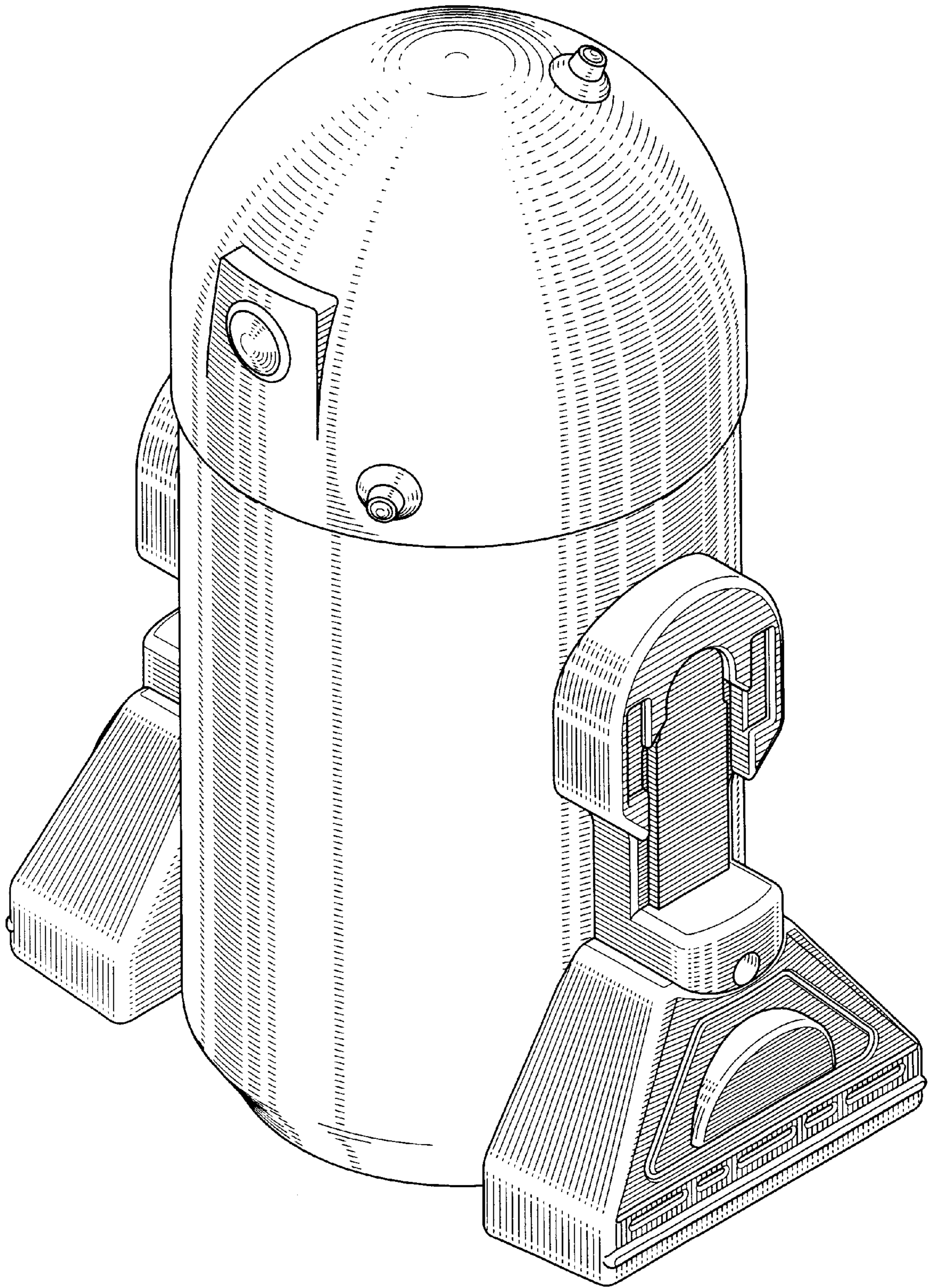


FIG 10

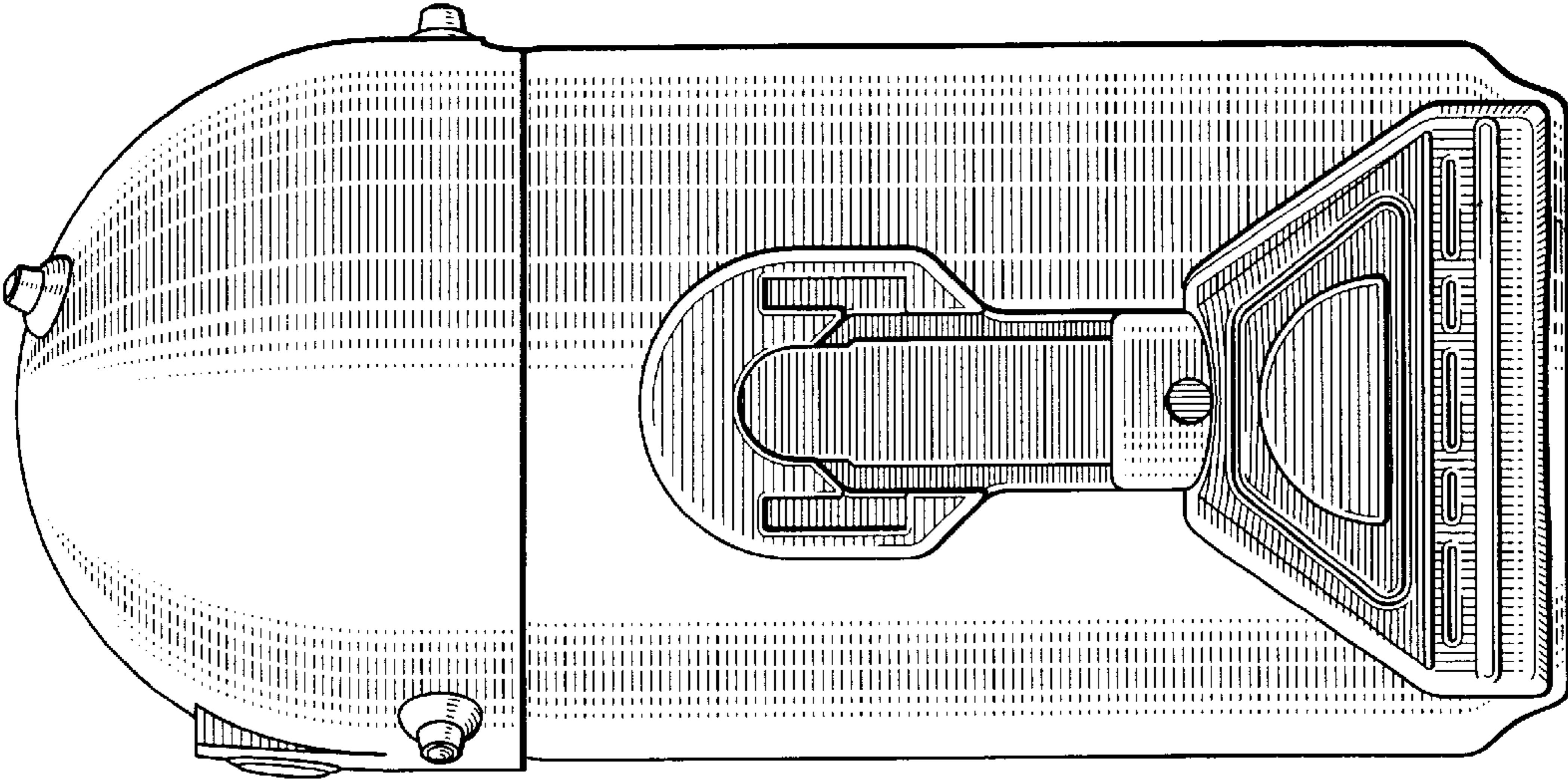


FIG 12

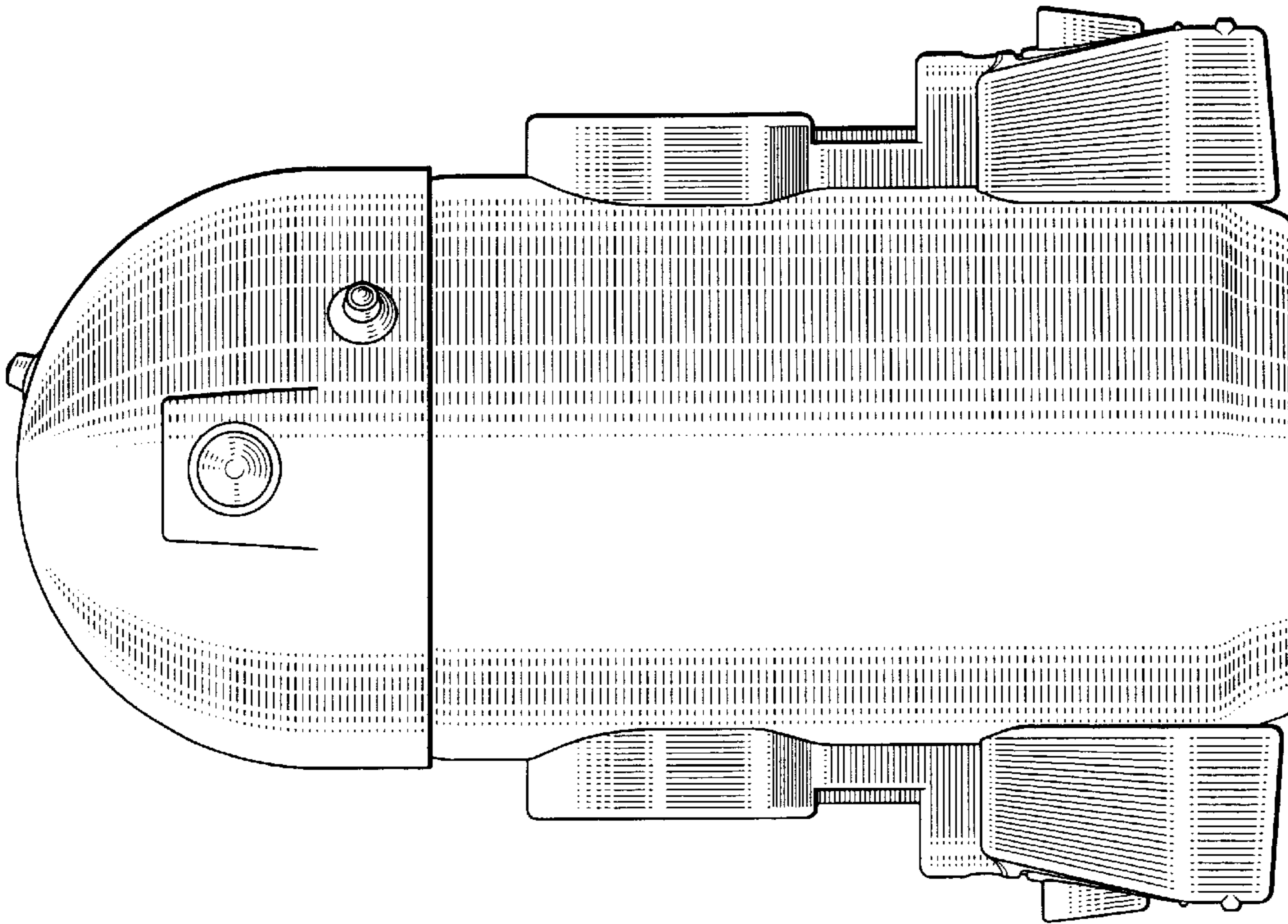


FIG 11

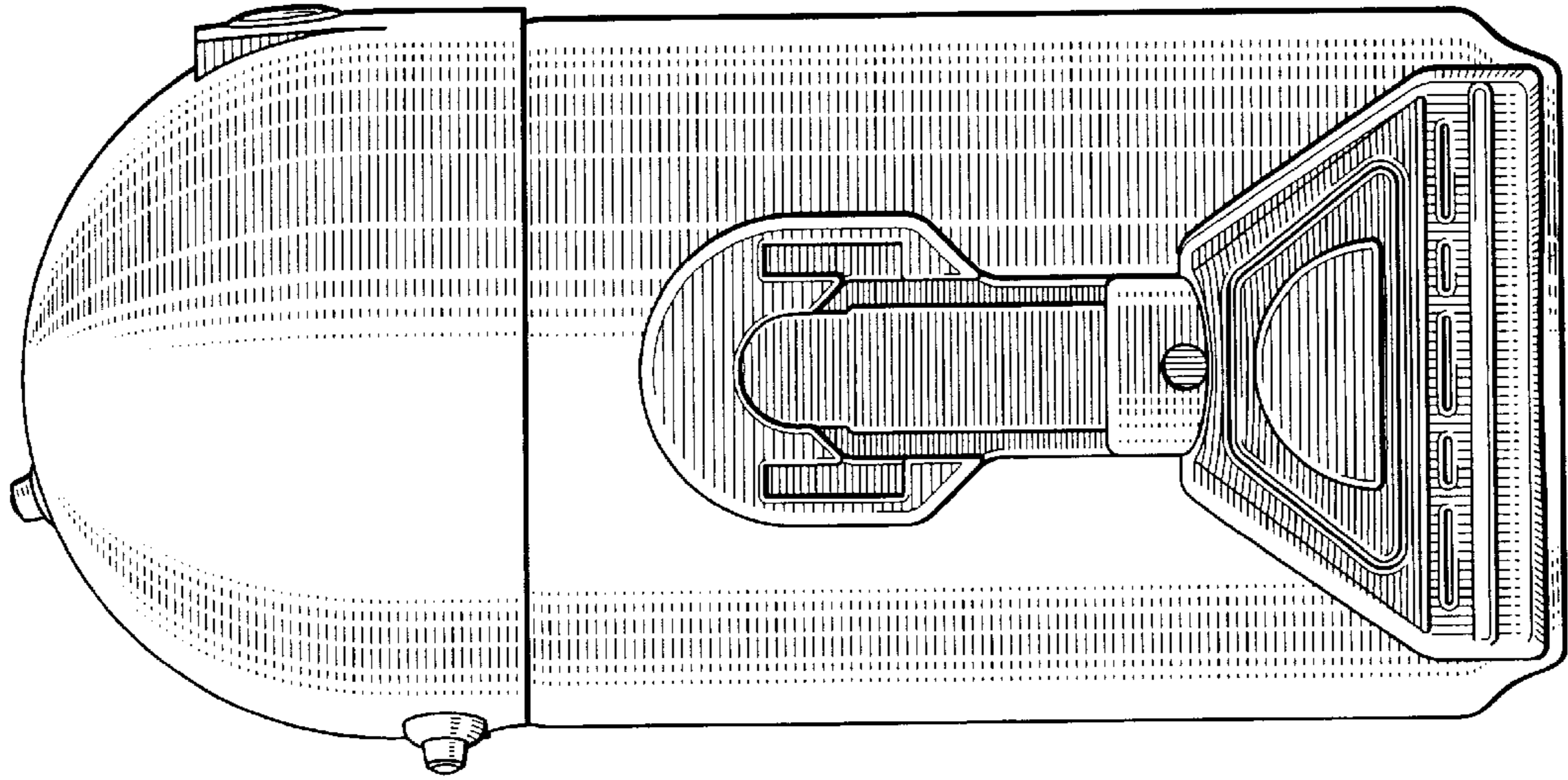


FIG 14

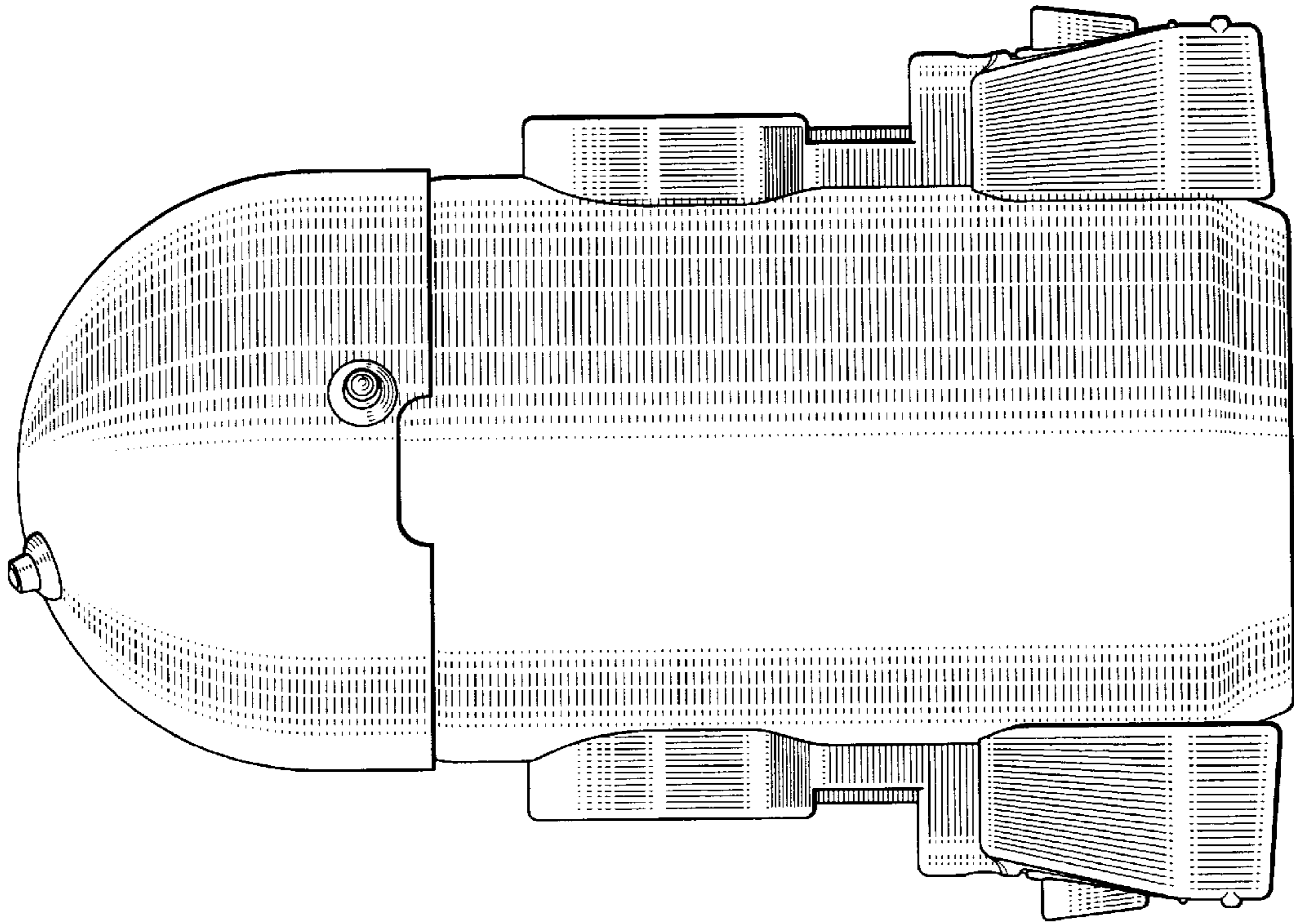


FIG 13

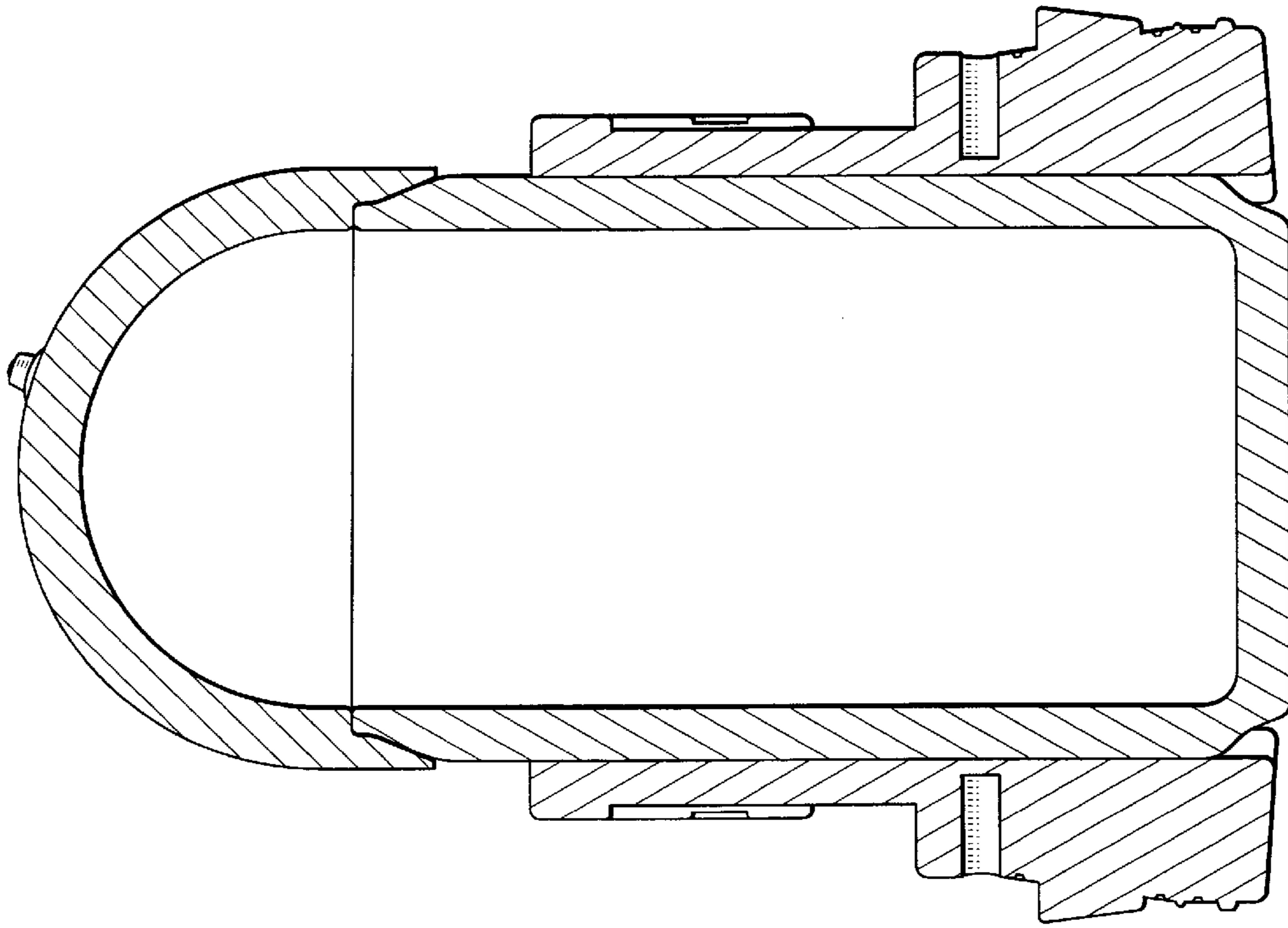


FIG 17

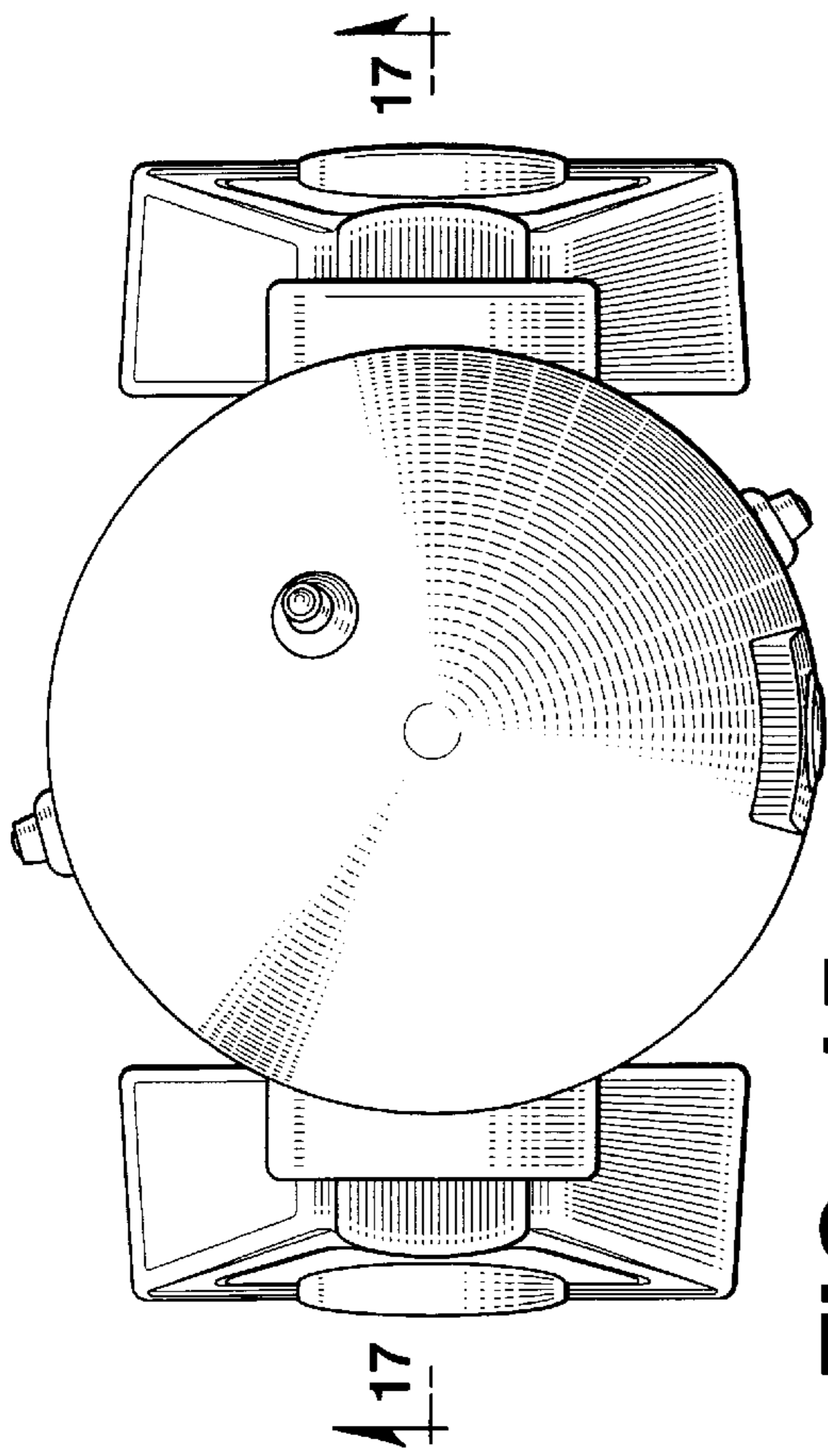


FIG 15

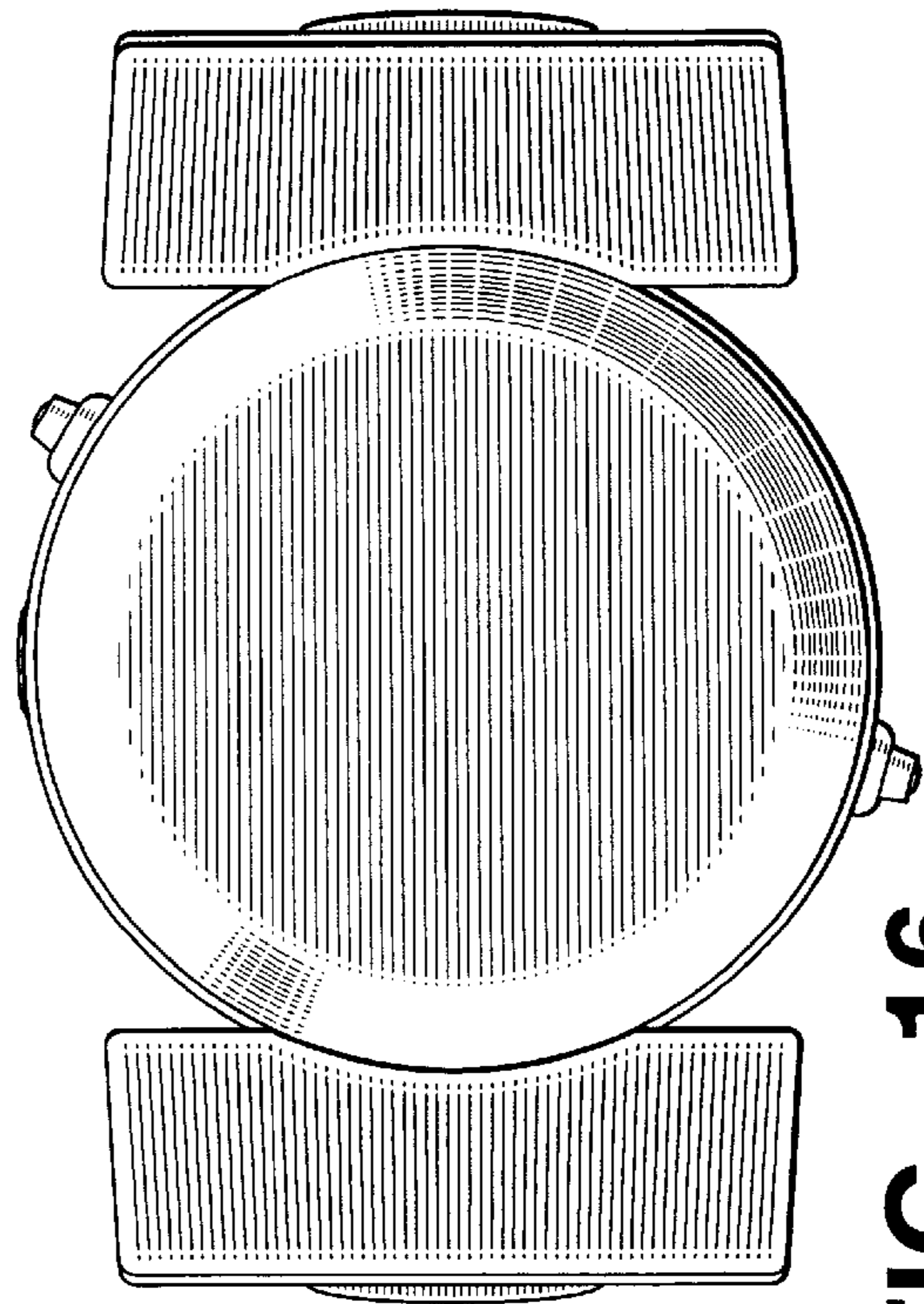


FIG 16

**FIG
18**

