



US00D439111S

(12) **United States Design Patent**
Tal et al.

(10) **Patent No.: US D439,111 S**

(45) **Date of Patent: ** Mar. 20, 2001**

(54) **CUP**

(75) Inventors: **Elisha Tal**, Macabin (IL); **Markus Diebel**, San Francisco, CA (US); **Patrick Gilmore**, Memphis, TN (US); **Adriana Colombo-Spitzberger**, New Fairfield, CT (US); **Chak Lam Chung**, Fremont; **Joseph W. Yang**, Castro Valley, both of CA (US)

(73) Assignee: **PepsiCo, Inc.**, Purchase, NY (US)

(**) Term: **14 Years**

(21) Appl. No.: **29/120,837**

(22) Filed: **Mar. 28, 2000**

Related U.S. Application Data

(60) Division of application No. 29/091,992, filed on Aug. 10, 1998, now Pat. No. Des. 427,852, which is a continuation-in-part of application No. 29/085,393, filed on Mar. 23, 1998, now abandoned.

(51) **LOC (7) Cl.** **07-01**

(52) **U.S. Cl.** **D7/511; D7/510**

(58) **Field of Search** **D7/507, 515, 510, D7/511, 523, 419, 605, 392.2, 392.1, 532, 536, 533, 622; D9/447, 445, 446; 220/703, 375, 713, 715, 717, 729**

(56) **References Cited**

U.S. PATENT DOCUMENTS

- D. 272,793 * 2/1984 Appel et al. D7/510
- D. 289,720 * 5/1987 Maher D7/396.2
- D. 336,429 * 6/1993 Petoskey D9/447
- D. 342,418 * 12/1993 Stymiest D7/396.2
- D. 358,294 * 5/1995 Letica D7/392.1
- D. 359,417 * 6/1995 Chen D7/510
- D. 360,579 * 7/1995 Accarias D9/447
- D. 364,810 * 12/1995 Meisner D9/446
- D. 367,402 * 2/1996 Bates et al. D7/520

- D. 379,738 * 6/1997 Liming et al. D7/511
- D. 382,174 * 8/1997 Grimm D7/510
- D. 382,247 * 8/1997 Lindberg D12/403

(List continued on next page.)

Primary Examiner—M. N. Pandozzi

(74) *Attorney, Agent, or Firm*—Fitzpatrick, Cella, Harper & Scinto

(57) **CLAIM**

The ornamental design for a cup, as shown and described.

DESCRIPTION

FIG. 1 is a perspective view of the cup design of the present invention;

FIG. 2 is an elevational view thereof with all sides being uniform;

FIG. 3 is a top plan view.

FIG. 4 is a bottom plan view.

FIG. 5 is a perspective view of another embodiment of the design of the present invention;

FIG. 6 is an elevational view of the embodiment of FIG. 5 with all sides being uniform;

FIG. 7 is a top plan view of the embodiment of FIG. 5;

FIG. 8 is a bottom plan view of the embodiment of FIG. 5;

FIG. 9 is a perspective view of another embodiment of the design of the present invention;

FIG. 10 is an elevational view of the embodiment of FIG. 9 with all sides being uniform;

FIG. 11 is a top plan view of the embodiment of FIG. 9;

FIG. 12 is a bottom plan view of the embodiment of FIG. 9;

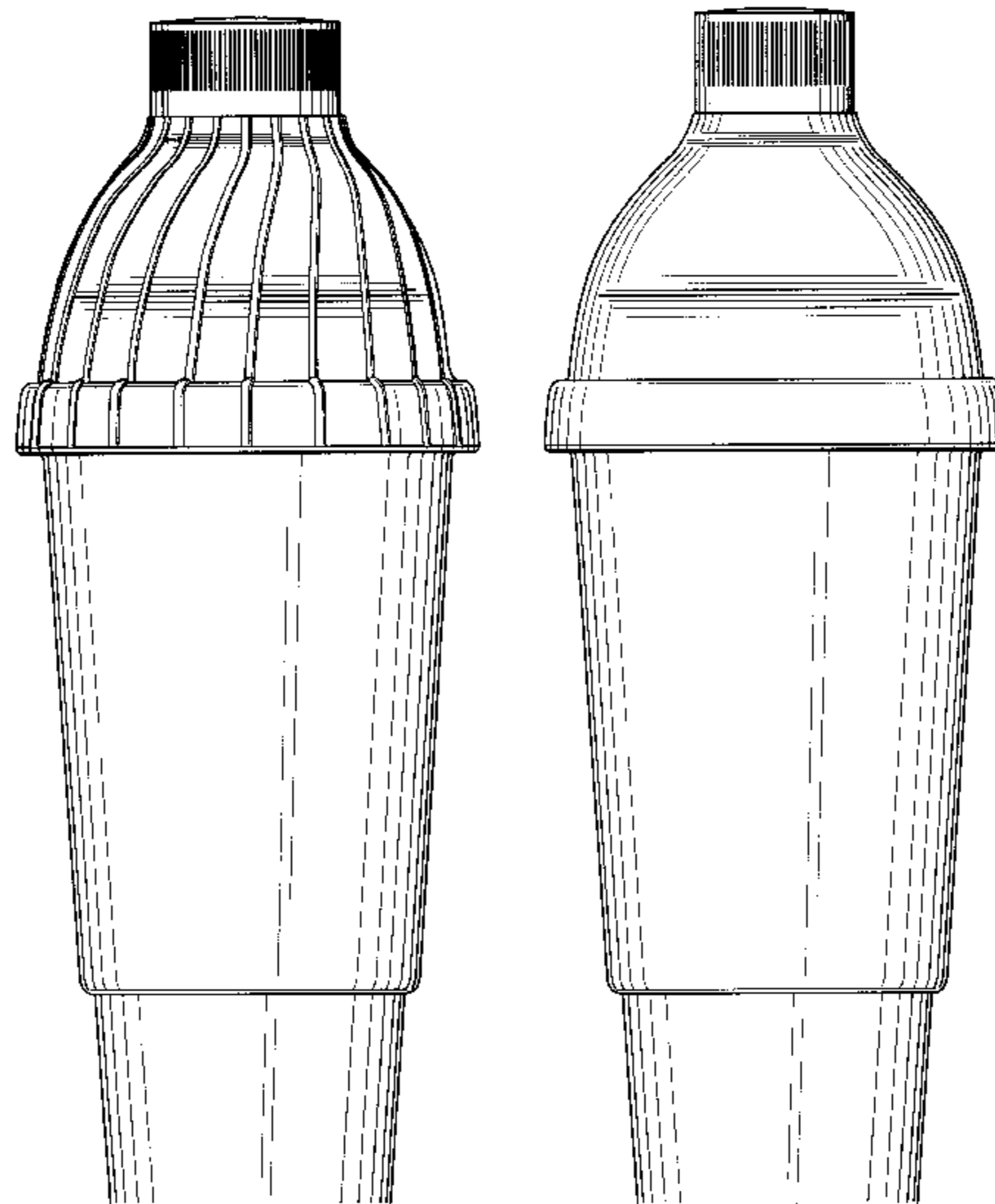
FIG. 13 is a perspective view of another embodiment of the design of the present invention;

FIG. 14 is an elevational view of the embodiment of FIG. 13 with all sides being uniform;

FIG. 15 is a top plan view of the embodiment of FIG. 13; and,

FIG. 16 is a bottom plan view of the embodiment of FIG. 13.

1 Claim, 12 Drawing Sheets



US D439,111 S

Page 2

U.S. PATENT DOCUMENTS				
		4,448,316	* 5/1984	Hiroshige 215/388
		4,508,235	* 4/1985	Steele et al. 215/307
D. 383,038	* 9/1997	Willbrandt	D7/531
D. 398,851	* 9/1998	Gaiser et al.	D9/447
D. 404,646	* 1/1999	Black, Sr. et al.	D9/446
4,123,225	* 10/1978	Jones et al.	422/98
				* cited by examiner

FIG.1

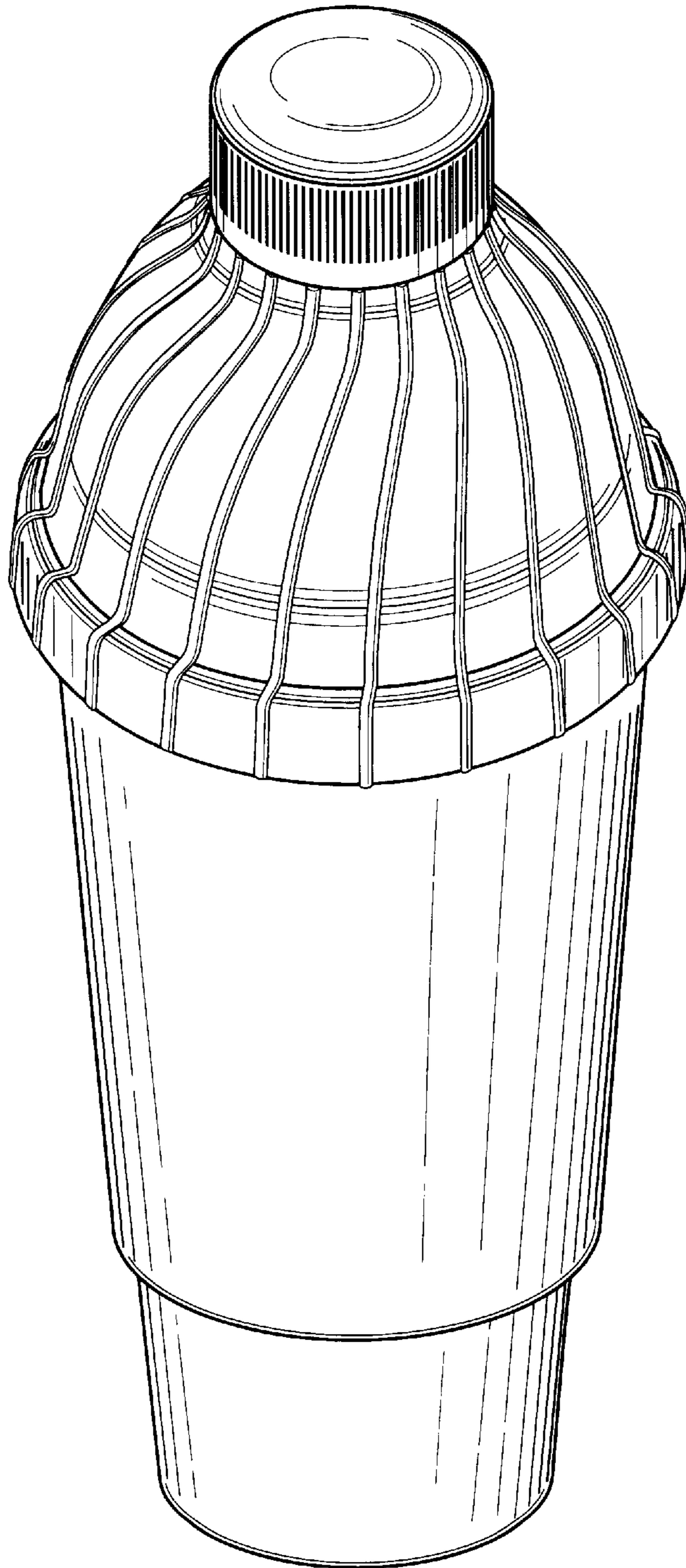


FIG. 2

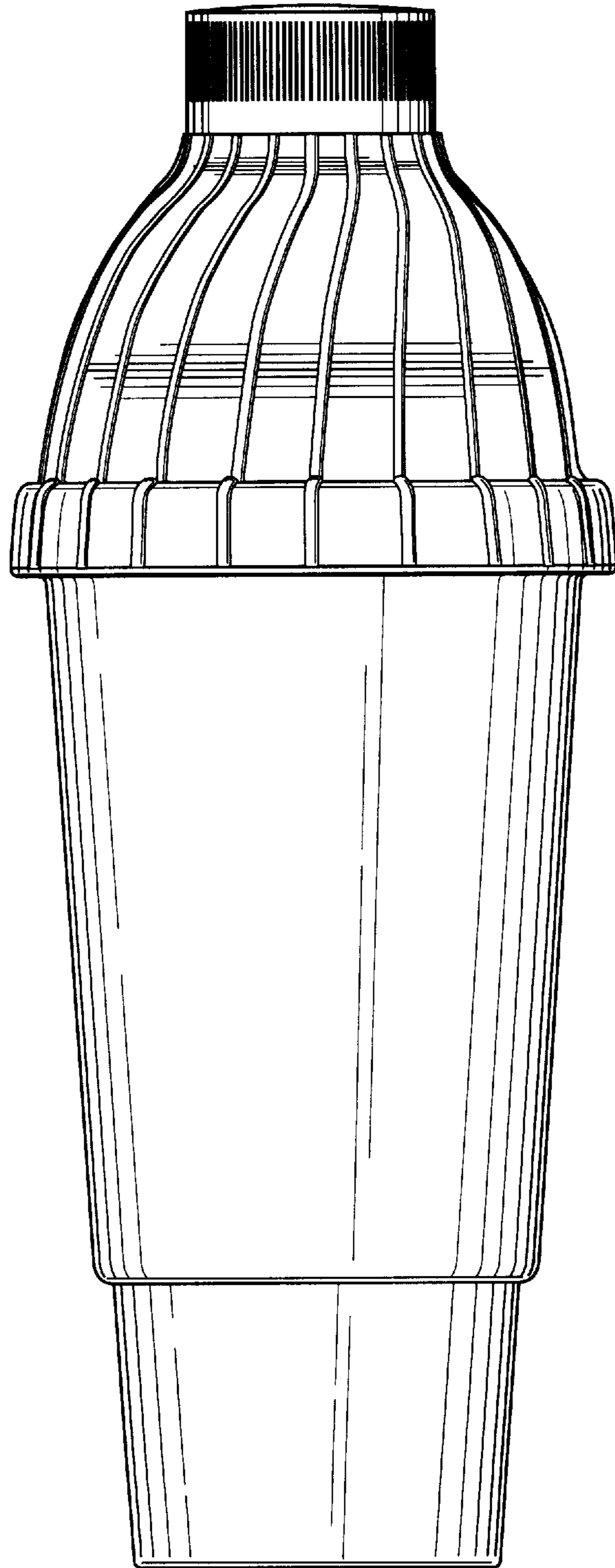


FIG. 3

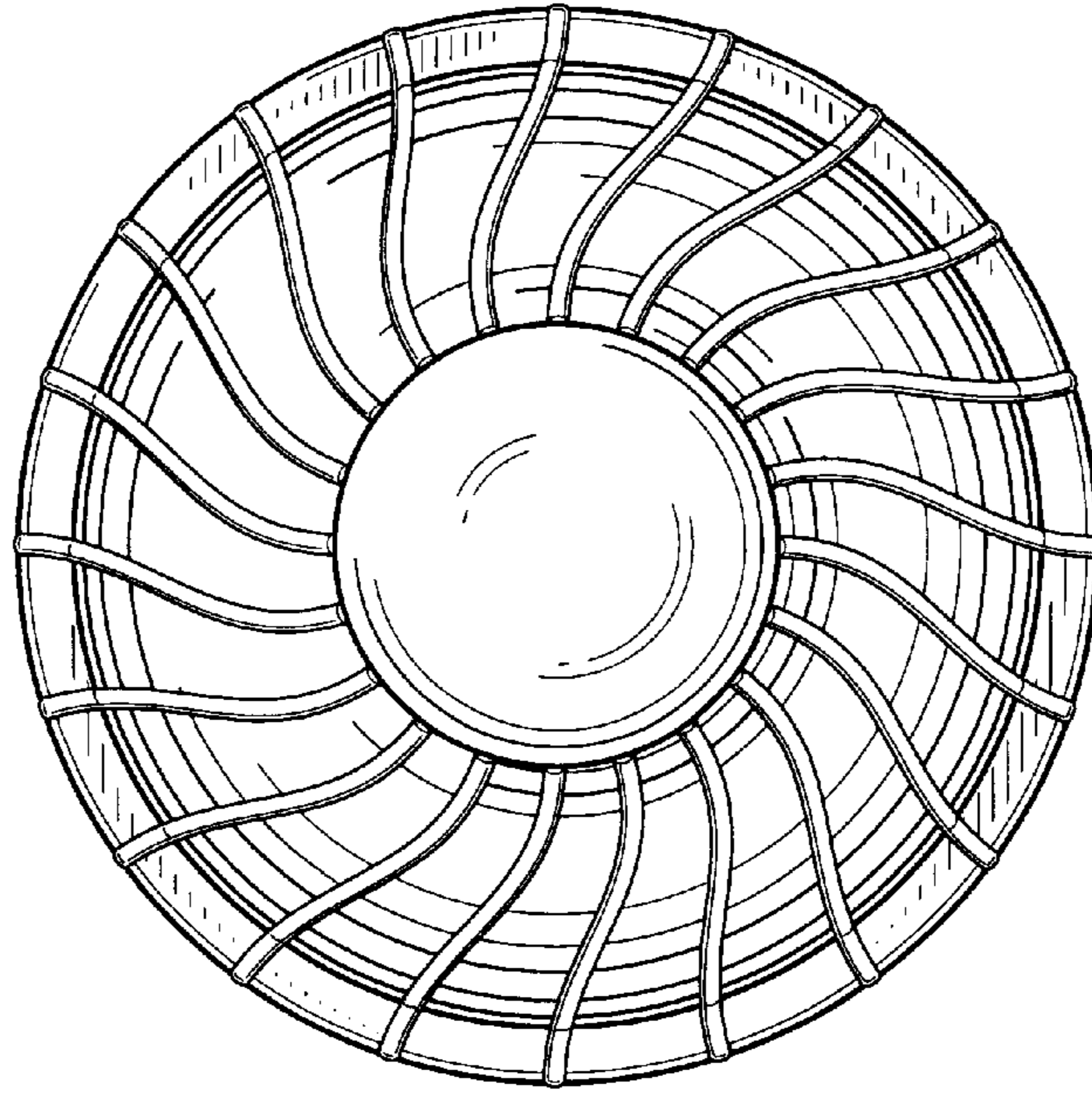


FIG. 4

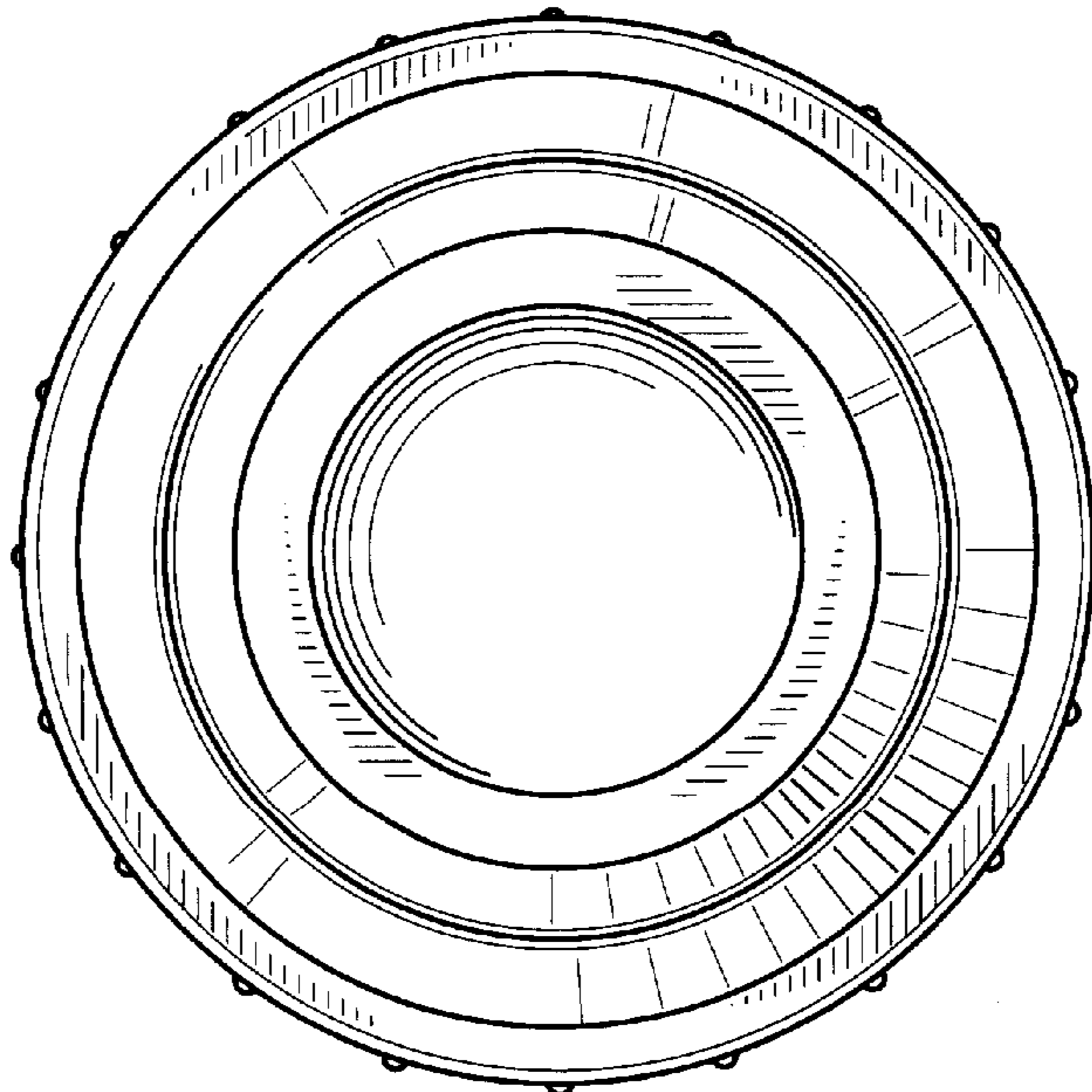


FIG. 5

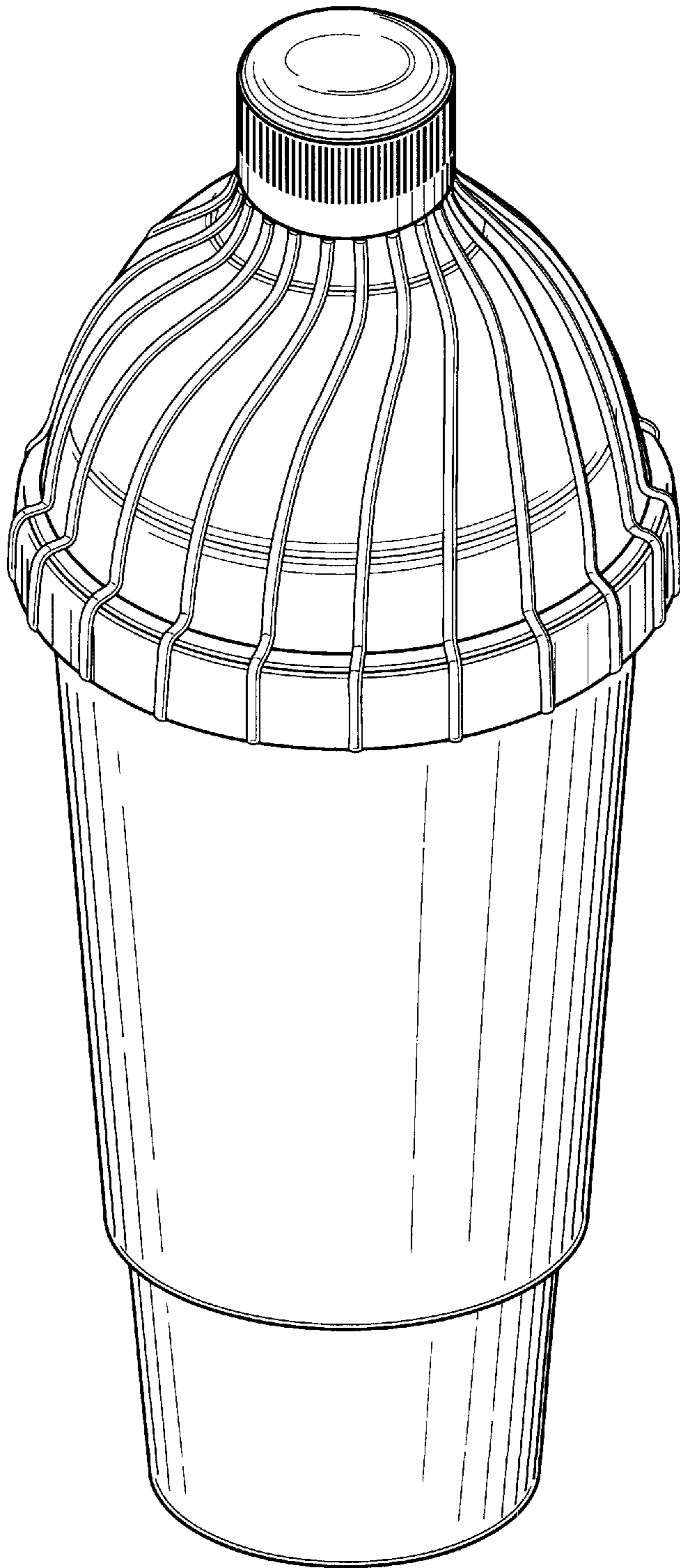


FIG. 6

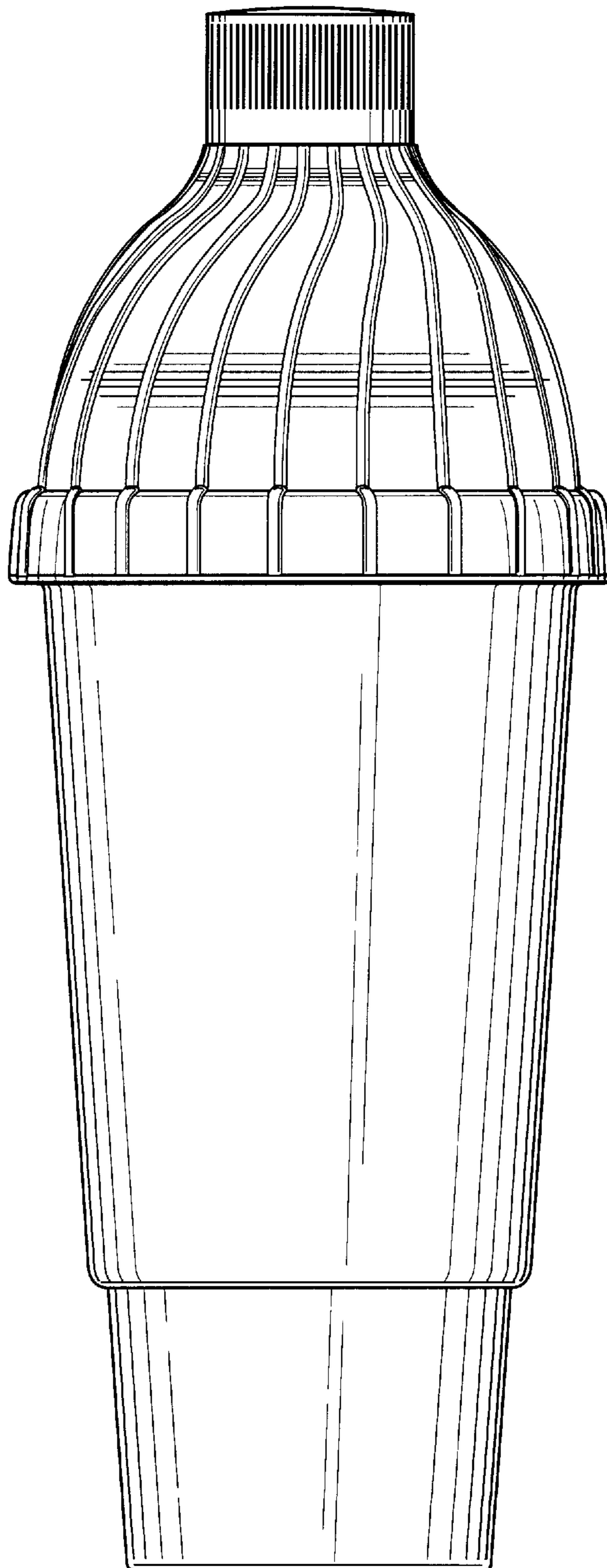


FIG. 7

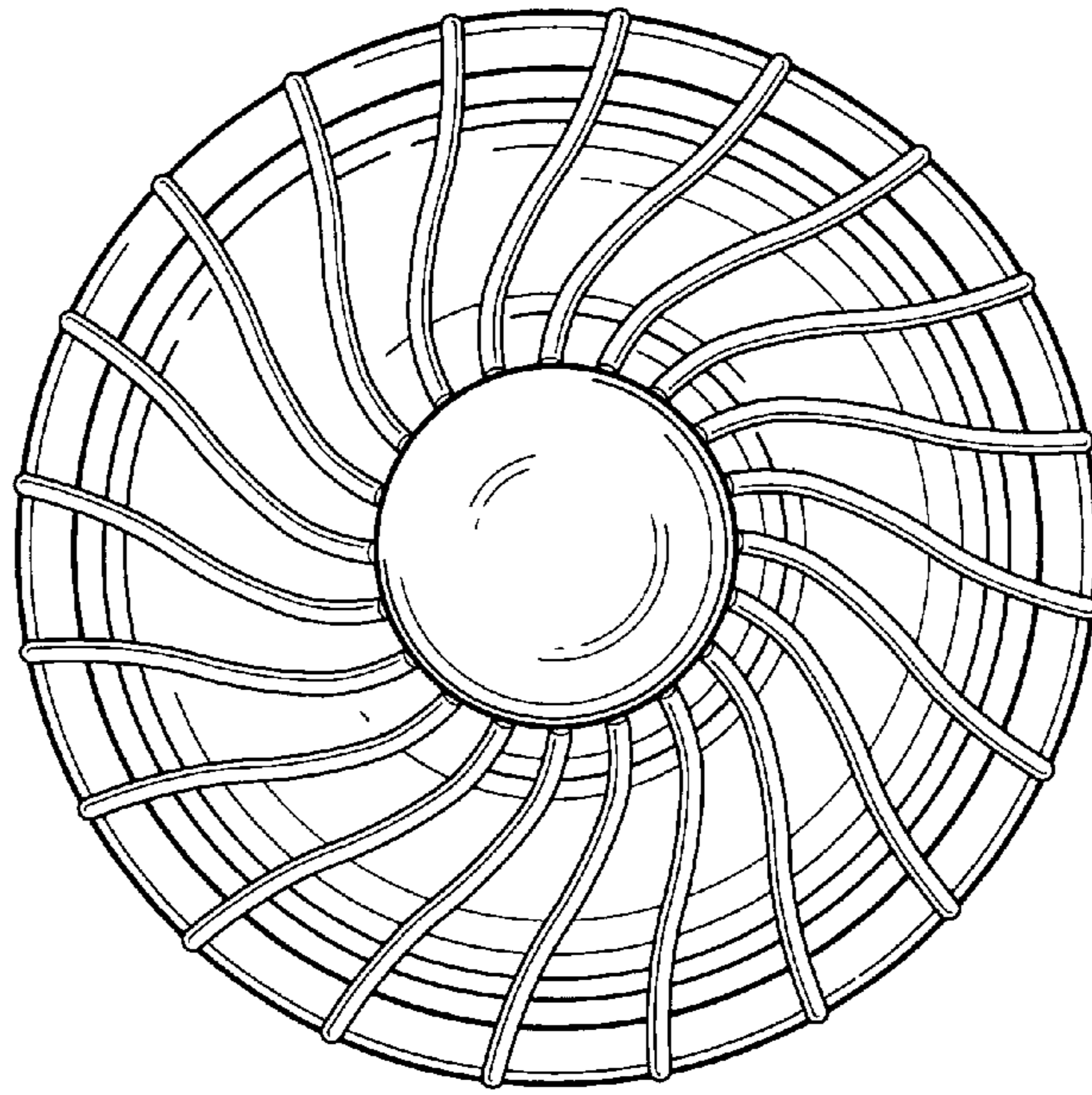


FIG. 8

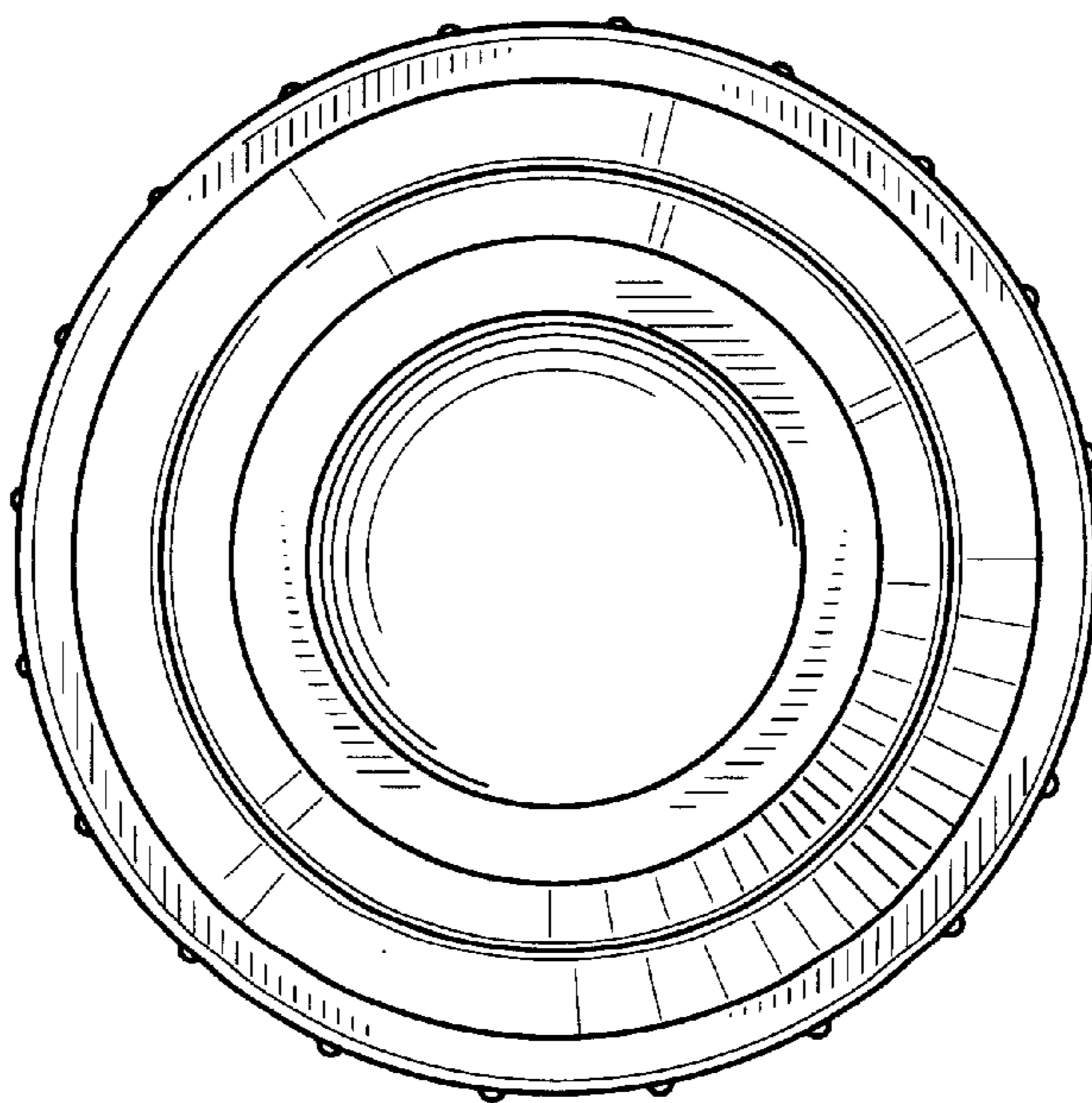


FIG. 9

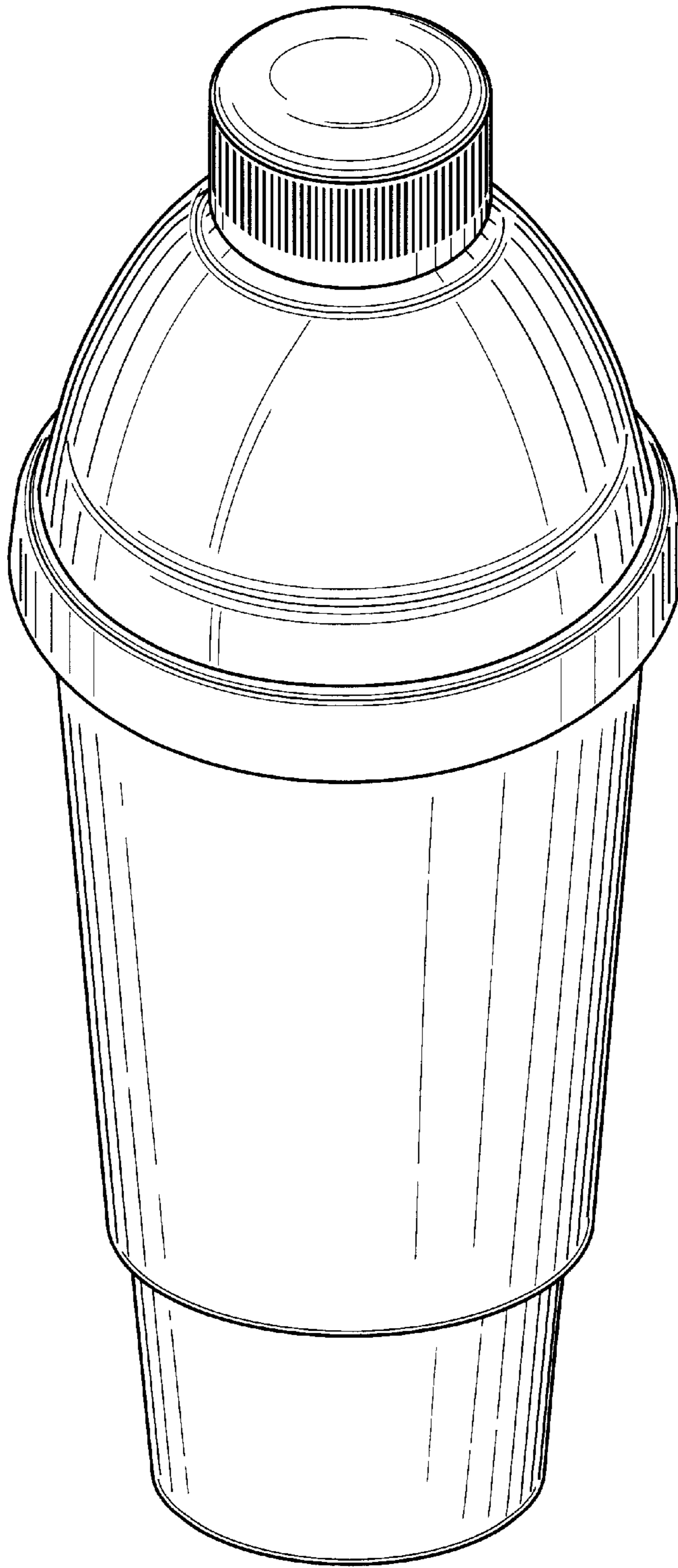


FIG. 10

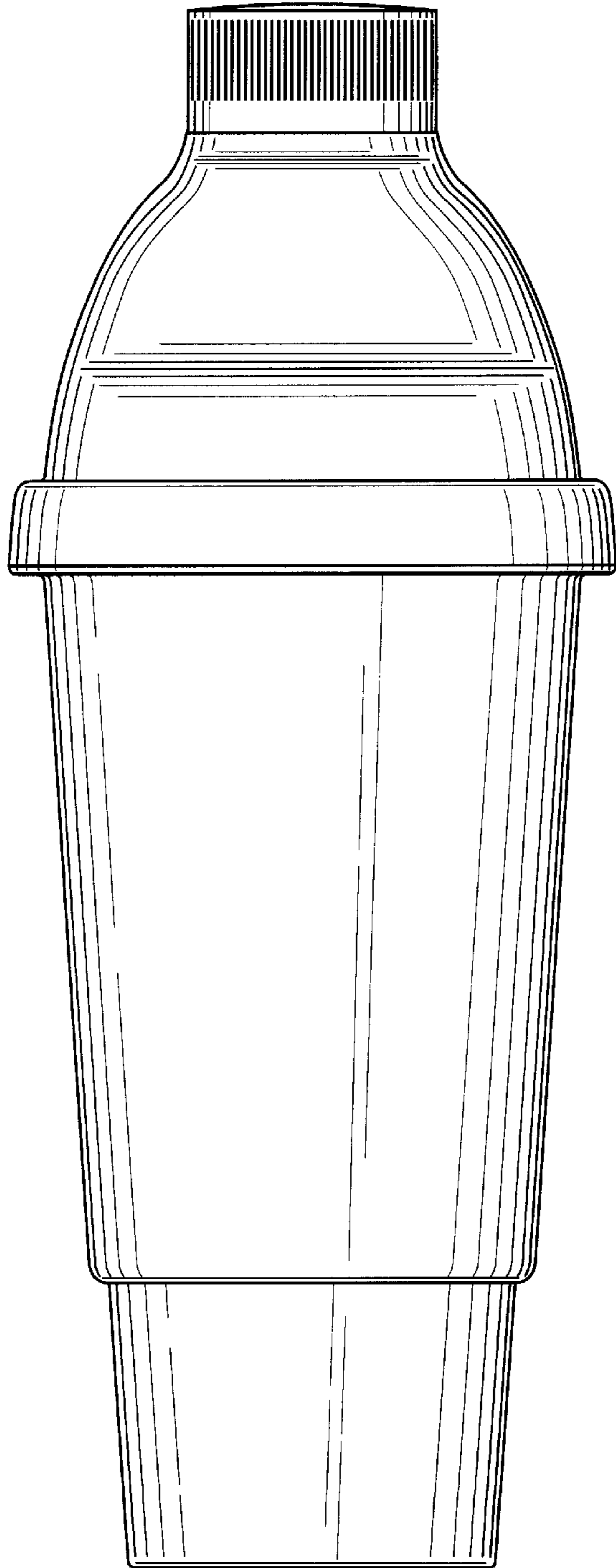


FIG. 11

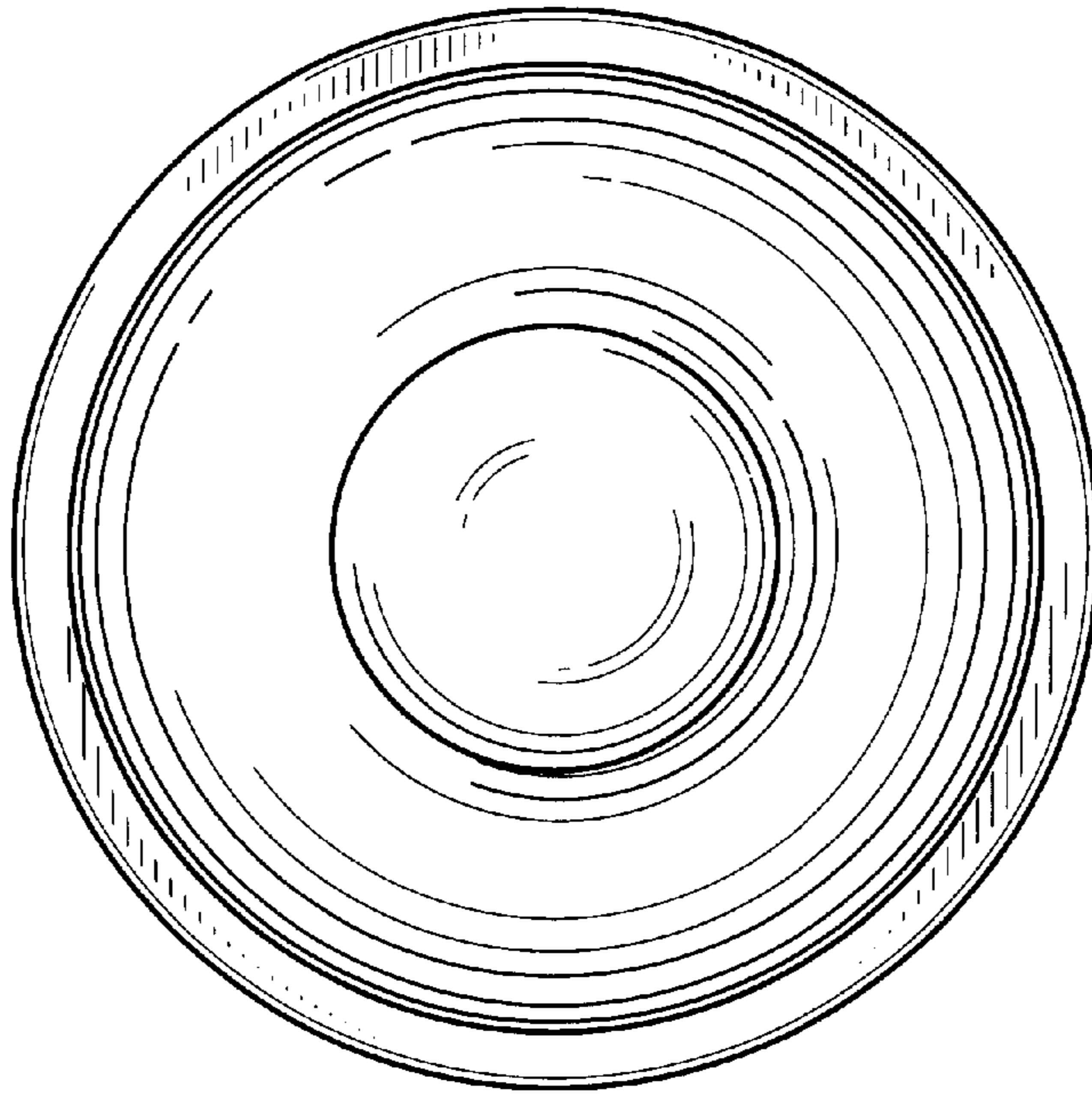


FIG. 12

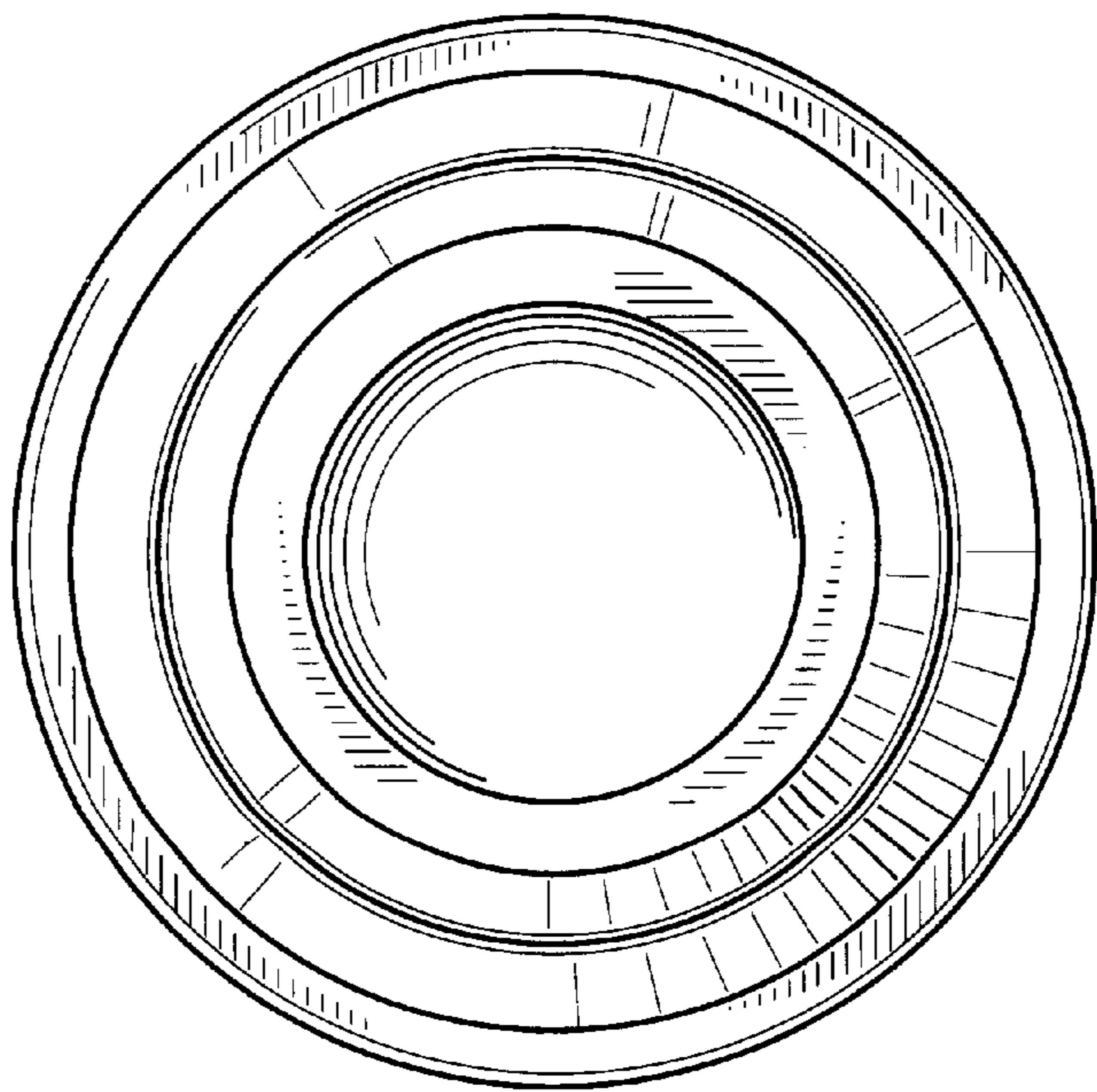


FIG. 13

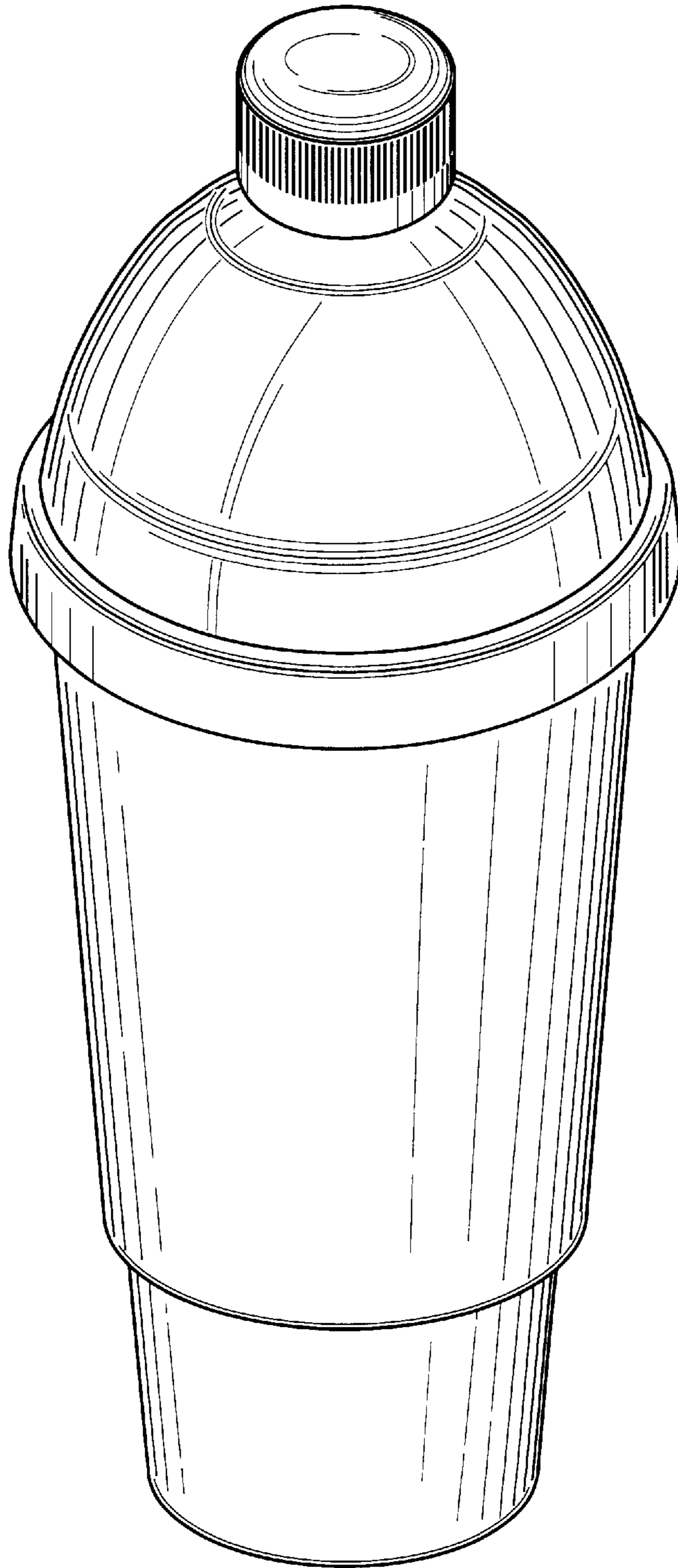


FIG. 14

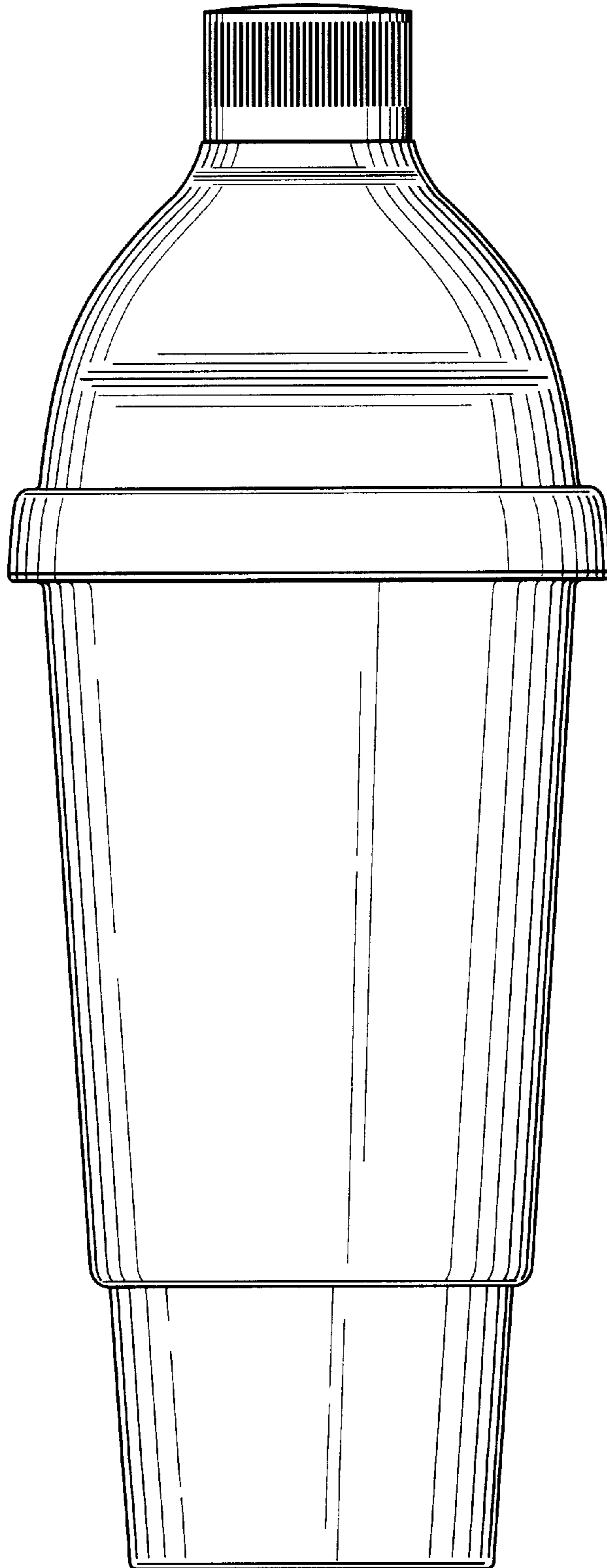


FIG. 15

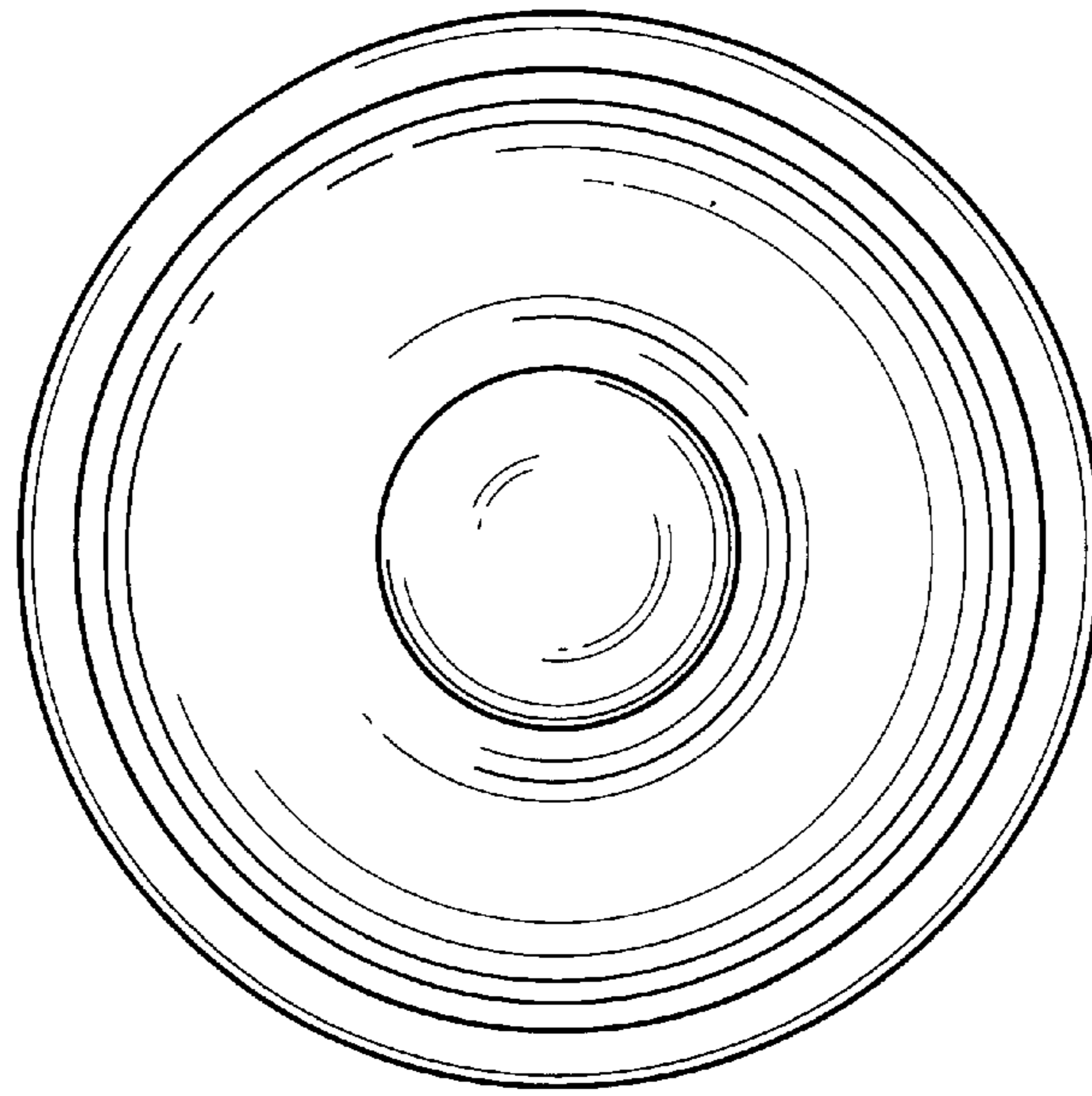


FIG. 16

