



US00D439107S

(12) **United States Design Patent**
Giacomel

(10) **Patent No.:** **US D439,107 S**

(45) **Date of Patent:** **** Mar. 20, 2001**

(54) **FOOD PREPARATION AND STORAGE
DEVICE**

(76) **Inventor: Jeffrey A. Giacomel**, 1909 Chasewood
Cir., Suite 211, Arlington, TX (US)
76011

(**) **Term: 14 Years**

(21) **Appl. No.: 29/119,662**

(22) **Filed: Mar. 3, 2000**

(51) **LOC (7) Cl. 07-97**

(52) **U.S. Cl. D7/387; D7/213**

(58) **Field of Search** D7/387, 388, 391,
D7/504, 412, 414, 213, 354, 368, 669,
682, 381, 698, 673, 638, 693; 83/762; 145/11.1,
185

(56) **References Cited**

U.S. PATENT DOCUMENTS

D. 259,010	*	4/1981	Klatt	D7/504
D. 282,137	*	1/1986	Williams et al.	D7/637
D. 342,000	*	12/1993	Diotte	D7/693
D. 378,979	*	4/1997	Clubb	D7/673
D. 408,692	*	4/1999	Tisdale	D7/638
D. 412,268	*	7/1999	Uemura	D7/673
1,348,059		7/1920	Sheppard	294/106
1,808,617		6/1931	Thompson	165/185 X
1,817,978		8/1931	Feldmeier	165/74
2,100,080		11/1937	Lackinger	294/106
2,325,647		8/1943	Adamson	165/185 X
2,688,467		9/1954	Leatzow	165/185 X
2,835,480		7/1958	Perez	165/104.21
4,745,968	*	5/1988	Demos	165/185
4,785,875		11/1988	Meijer et al.	165/104.25

5,014,776	5/1991	Hess	165/185	
5,129,451	7/1992	Moir et al.	165/185	
5,461,867	10/1995	Scudder et al.	62/4	
5,787,976	8/1998	Hamburgen et al.	165/185	
5,875,834	*	3/1999	Brooks	165/11.1
5,907,989	*	6/1999	Sie et al.	83/762

FOREIGN PATENT DOCUMENTS

2 027 527	12/1970	(DE)	.
32 14 886	10/1983	(DE)	.
445563	11/1912	(FR)	.
1586050	2/1970	(FR)	.
2 575 814	7/1986	(FR)	.
8-322530	10/1996	(JP)	.
WO 90/14771	12/1990	(WO)	.
WO 99/10691	3/1999	(WO)	.

* cited by examiner

Primary Examiner—M. N. Pandozzi

(74) *Attorney, Agent, or Firm*—Sidley & Austin

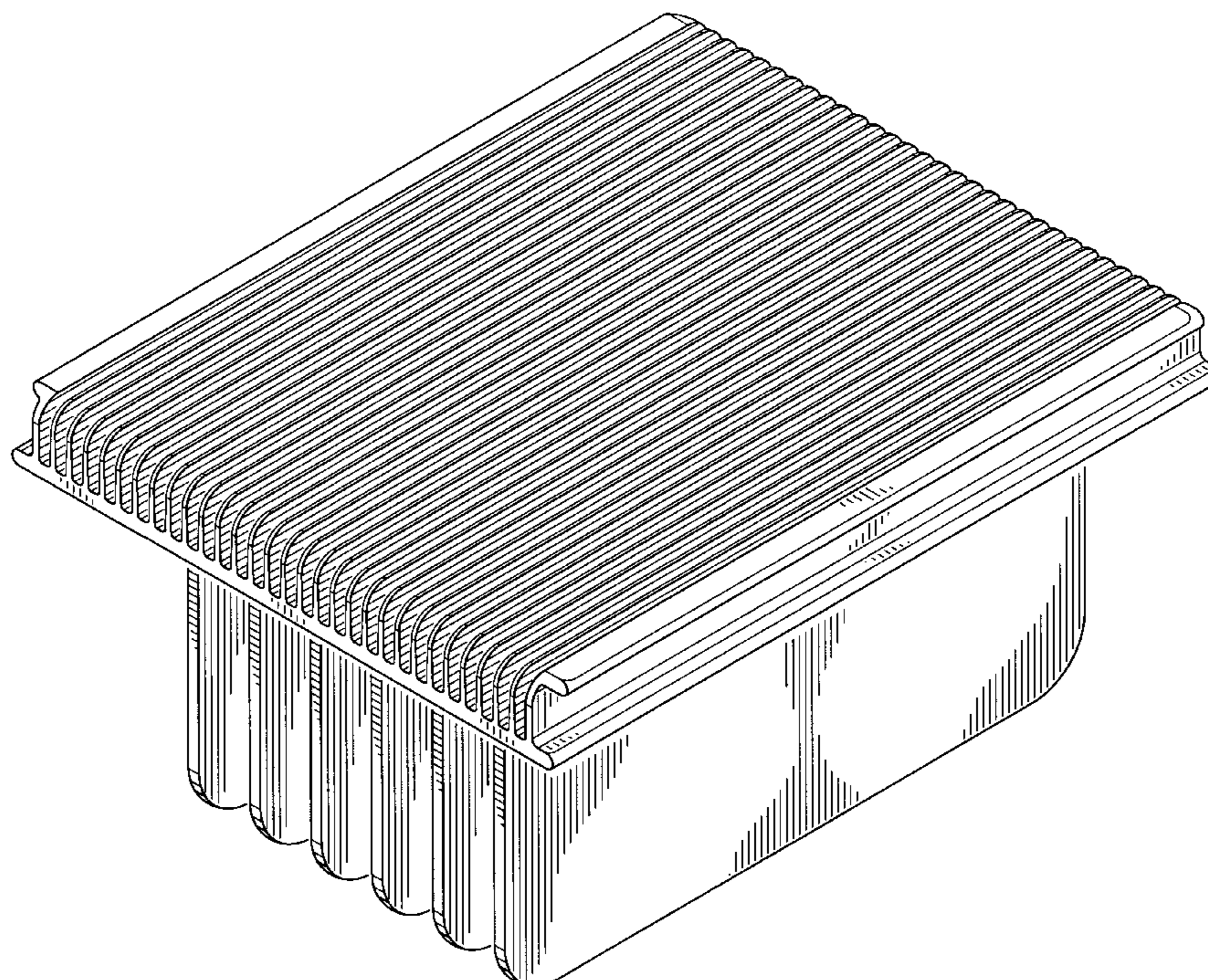
(57) **CLAIM**

The ornamental design for a food preparation and storage device, as shown and described.

DESCRIPTION

FIG. 1 is a perspective view of a food preparation and storage device embodying my design from above; FIG. 2 is a left side view thereof, the right side view being identical; FIG. 3 is a front view thereof, the back view being identical; FIG. 4 is a top view thereof showing the top fins; FIG. 5 is a bottom view thereof; and, FIG. 6 is a partial front view showing detail of the top fins.

1 Claim, 3 Drawing Sheets



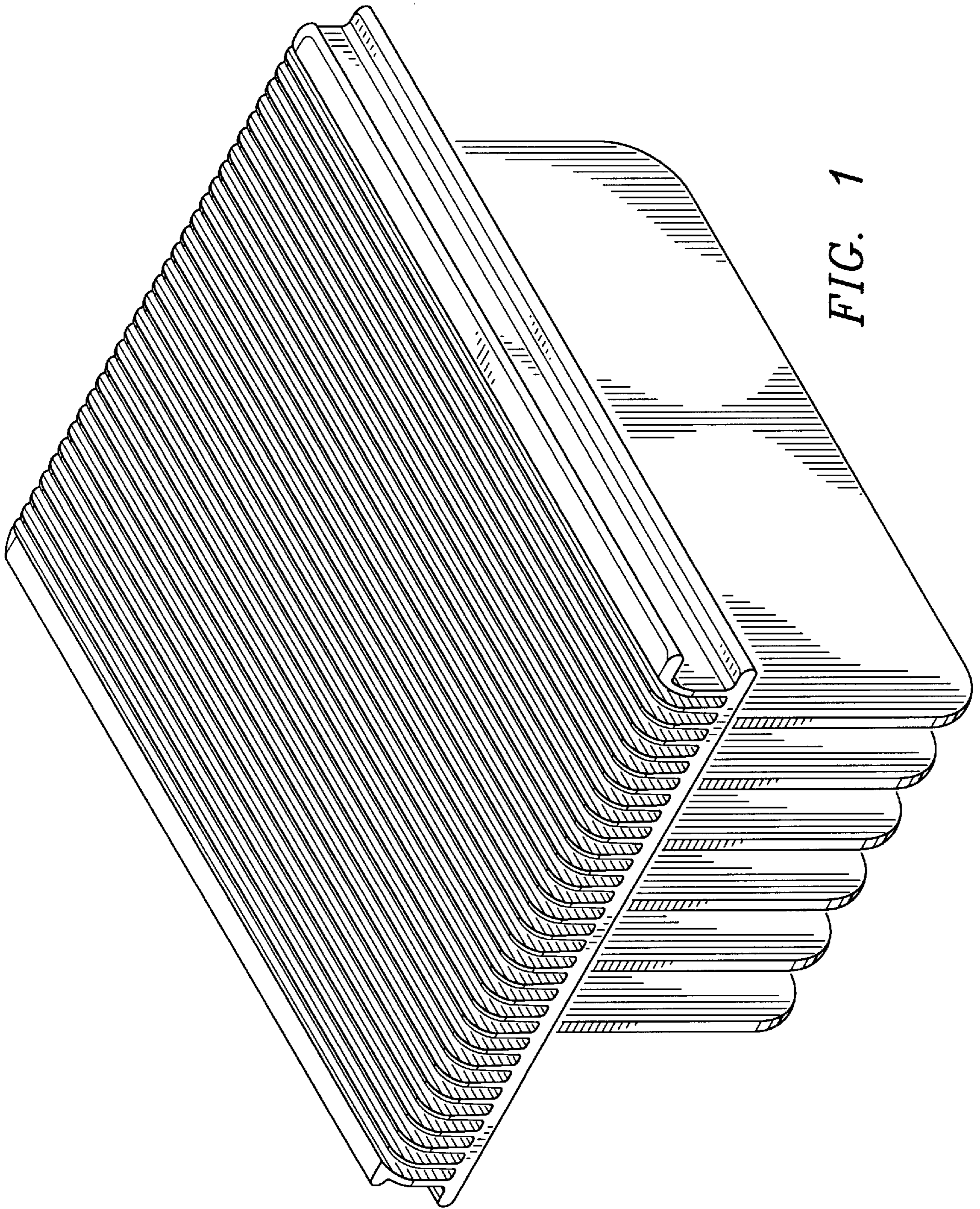


FIG. 1

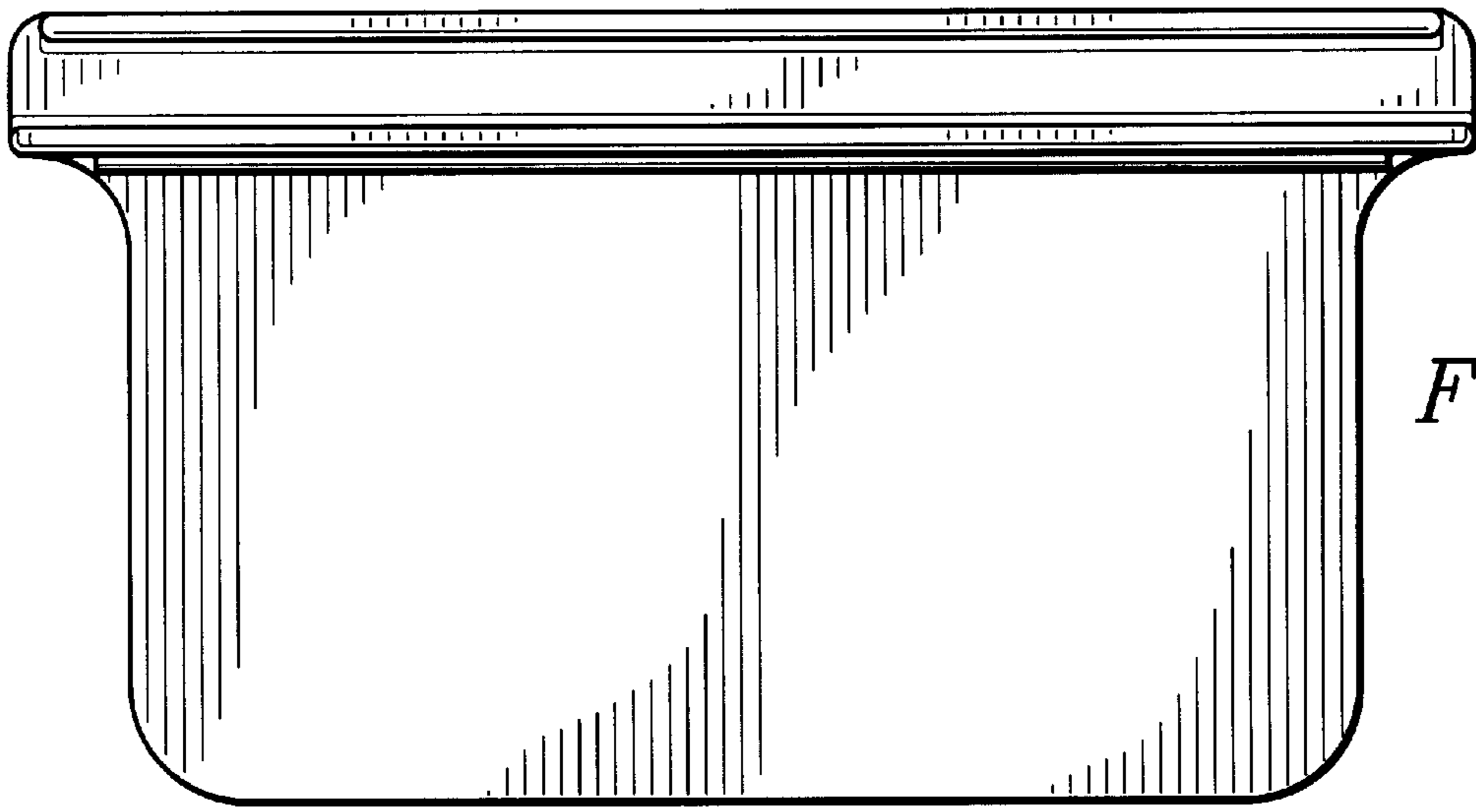


FIG. 2

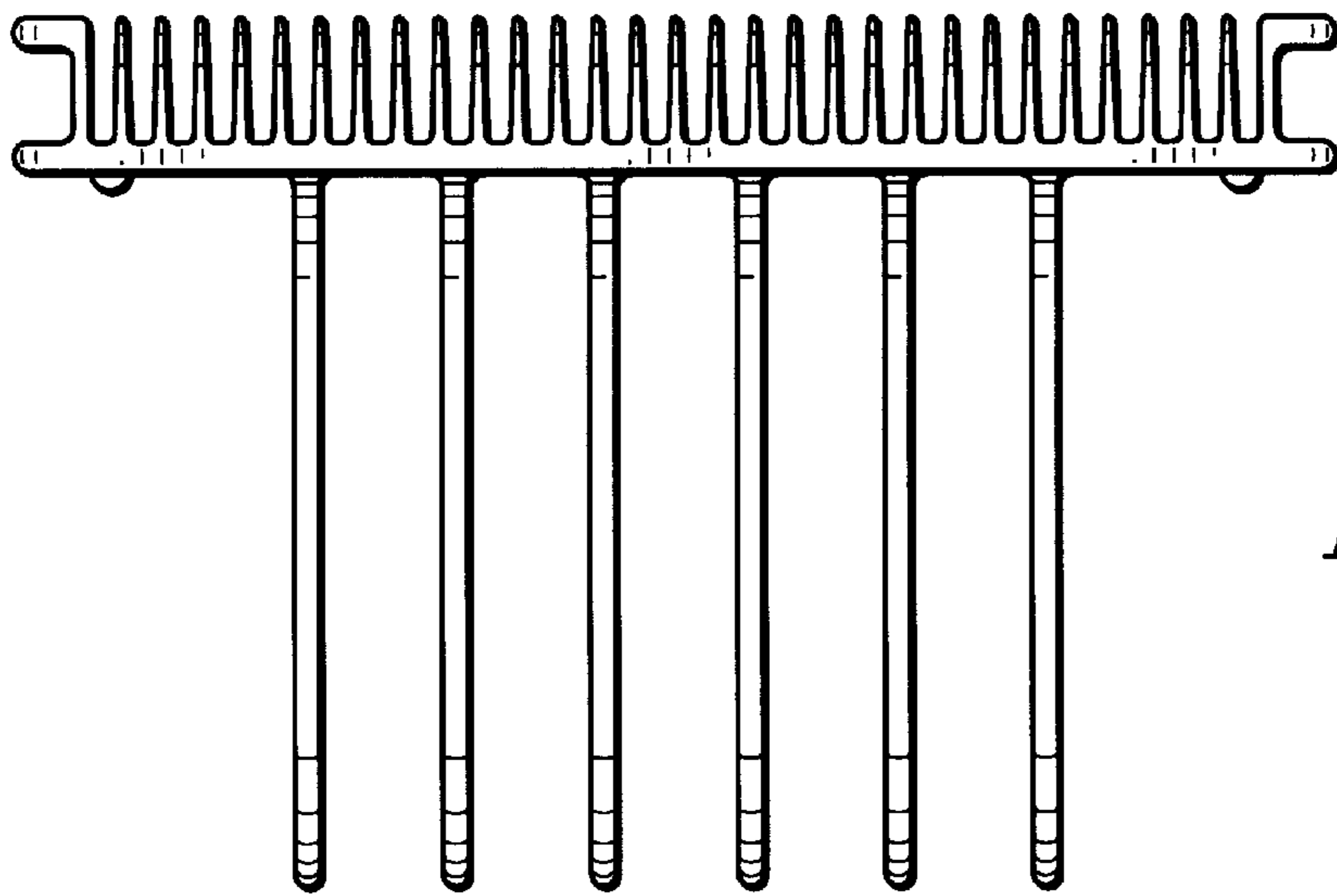


FIG. 3

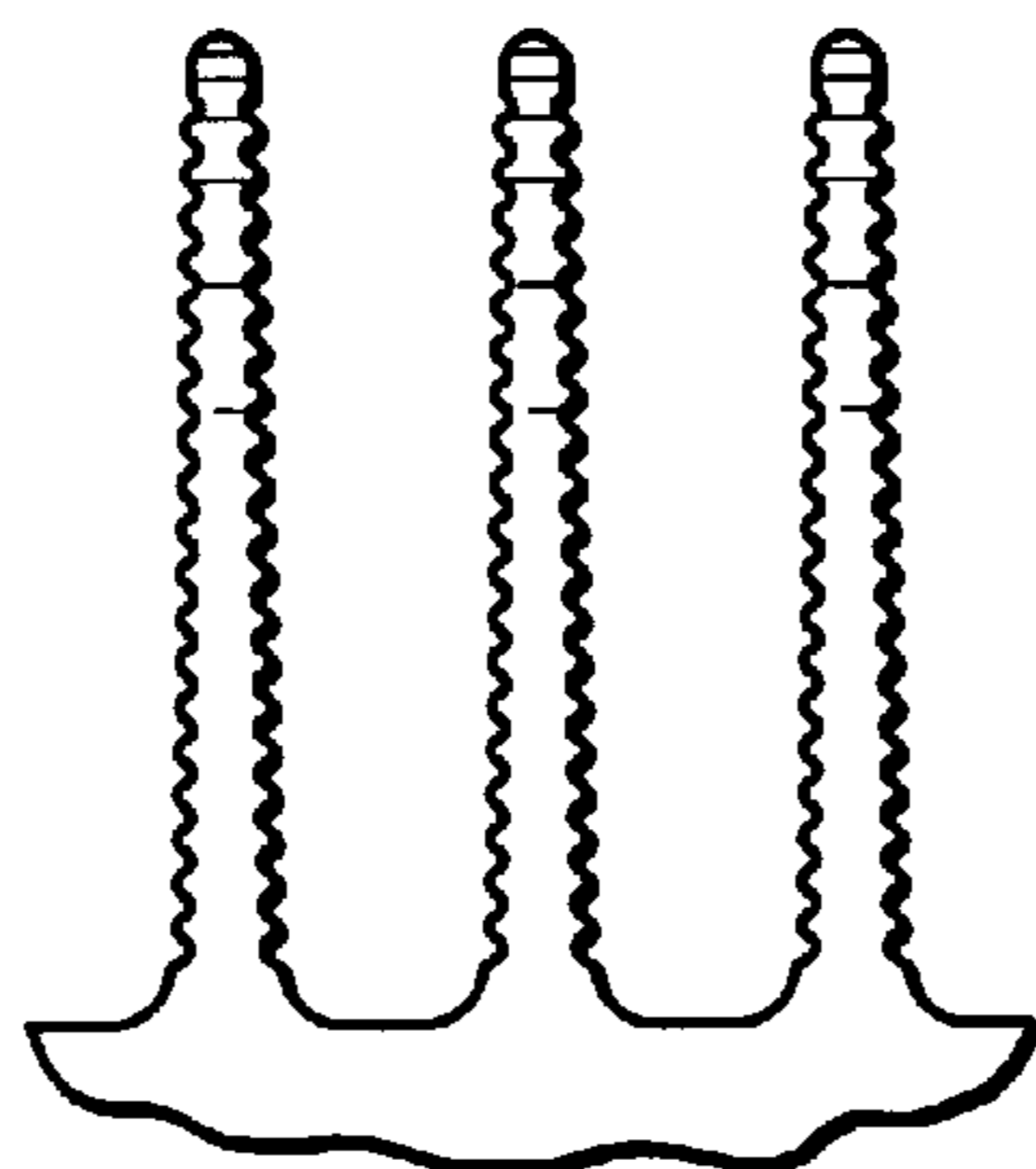


FIG. 6

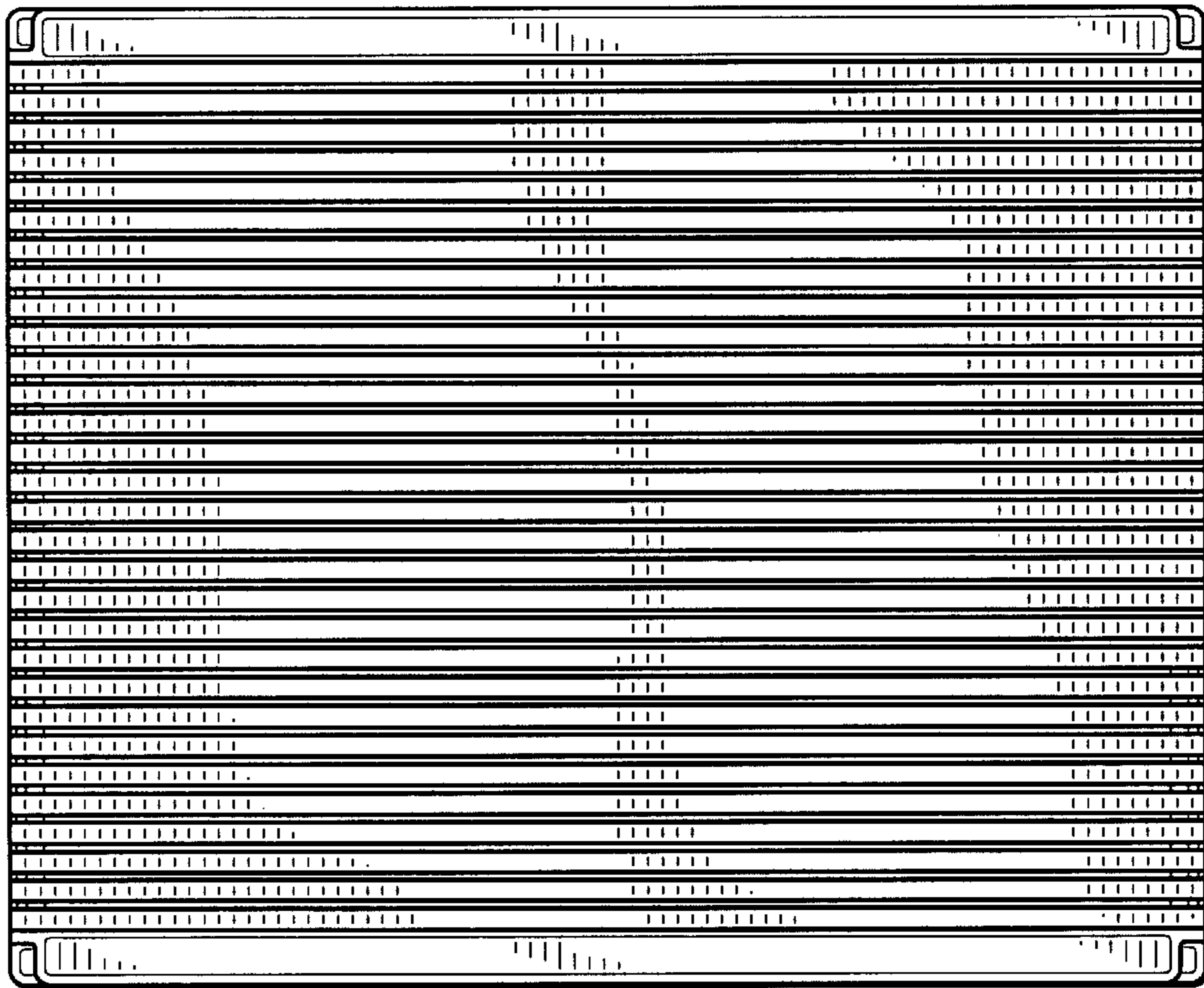


FIG. 4



FIG. 5