



US00D439106S

(12) **United States Design Patent**
Naft et al.

(10) **Patent No.:** **US D439,106 S**

(45) **Date of Patent:** **** Mar. 20, 2001**

(54) **BASE FOR BLENDER**

(75) **Inventors:** **Stuart Naft**, Fairfield; **Joseph Toro**, Stratford; **Glen Nielsen**, Kent, all of CT (US)

(73) **Assignee:** **HP Intellectual Corp.**

(**) **Term:** **14 Years**

(21) **Appl. No.:** **29/117,338**

(22) **Filed:** **Jan. 19, 2000**

(51) **LOC (7) Cl.** **31-00**

(52) **U.S. Cl.** **D7/386**

(58) **Field of Search** D7/376-378, 384, D7/386; 99/509-511; 241/33, 101.01, 278.2, 285.2; 366/197, 199, 241

(56) **References Cited**

U.S. PATENT DOCUMENTS

- D. 200,285 2/1965 Madl .
- D. 204,117 3/1966 Di Sesa .
- D. 215,782 10/1969 Steinkamp .
- D. 216,237 12/1969 Levin .
- D. 220,416 4/1971 Folden .
- D. 242,208 11/1976 Madl et al. .
- D. 337,240 7/1993 Levin .
- D. 339,715 9/1993 Barrault .
- D. 347,144 5/1994 Brady .
- D. 347,966 * 6/1994 Doggett D7/378
- D. 349,423 8/1994 Burgel .
- D. 363,190 10/1995 Brady .
- D. 369,512 5/1996 Brady .
- D. 373,504 9/1996 Leverrier .
- D. 386,357 11/1997 Davidson .

- D. 387,948 12/1997 Leverrier .
- D. 390,416 2/1998 Hippen et al. .
- D. 394,986 6/1998 Lallemand .
- D. 396,167 7/1998 Cruz .
- D. 396,990 8/1998 Leverrier .
- D. 400,757 11/1998 Hippen et al. .
- D. 403,202 12/1998 Cousins .
- D. 404,247 1/1999 Spagnolo .
- D. 404,606 1/1999 Huang .
- D. 409,446 5/1999 St. John et al. .
- D. 412,809 8/1999 Toro et al. .
- D. 415,384 10/1999 Littmann .
- D. 417,581 * 12/1999 Barthelemy et al. D7/378
- D. 433,595 * 11/2000 Naft et al. D7/386
- D. 434,596 * 12/2000 Naft et al. D7/378
- 2,940,738 6/1960 Posener et al. .

* cited by examiner

Primary Examiner—Caron D. Veynar

(74) *Attorney, Agent, or Firm*—Barry E. Deutsch, Esq.

(57) **CLAIM**

The ornamental design for a base for blender, as shown and described.

DESCRIPTION

FIG. 1 is a perspective view, taken from the front, top, and right side illustrating our new design for a base for blender; FIG. 2 is a bottom plan view thereof; FIG. 3 is a right side elevation view thereof; FIG. 4 is a front elevation view thereof; FIG. 5 is a rear elevation view thereof; FIG. 6 is a left side elevation view thereof; and, FIG. 7 is a top plan view thereof.

1 Claim, 4 Drawing Sheets

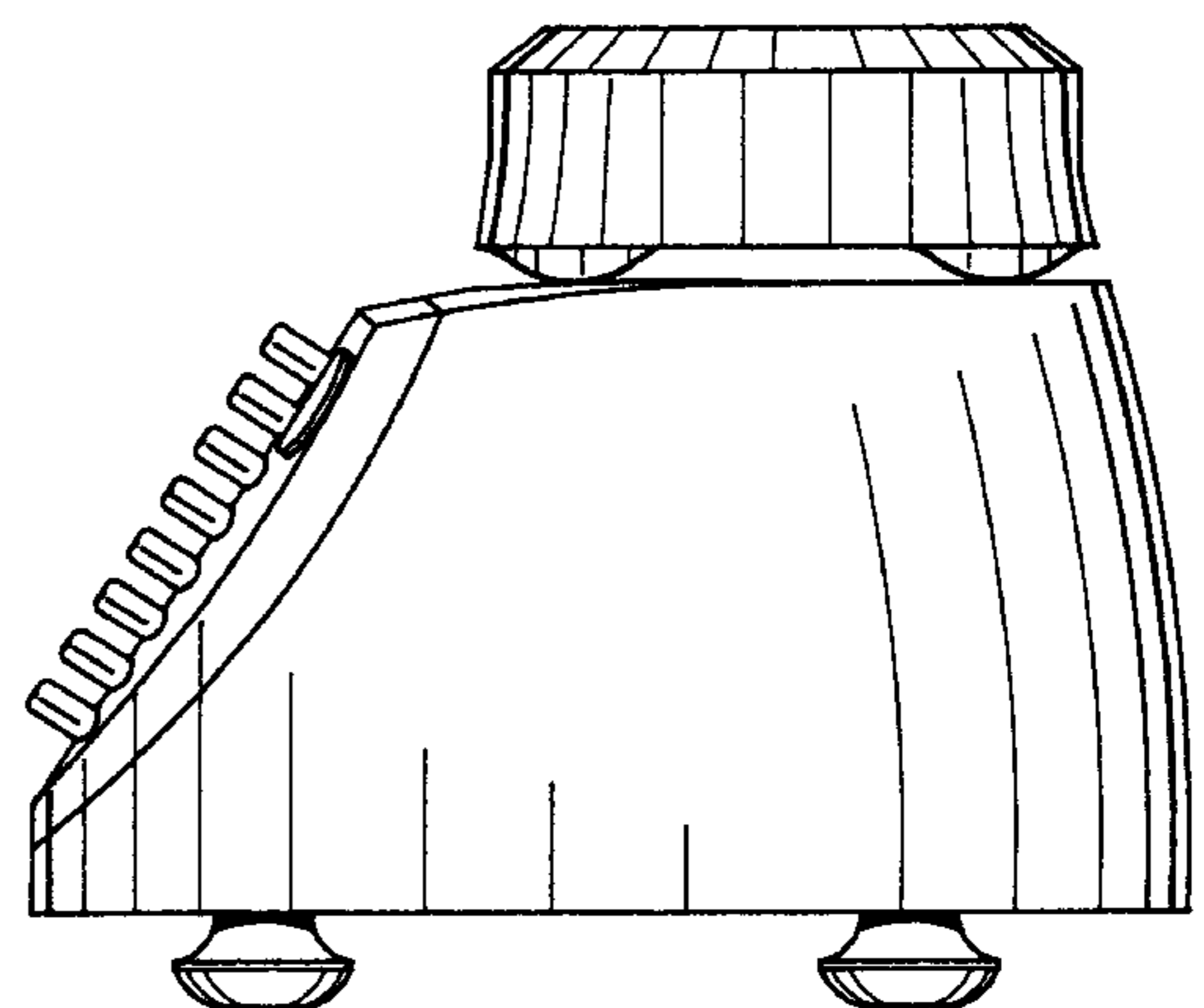
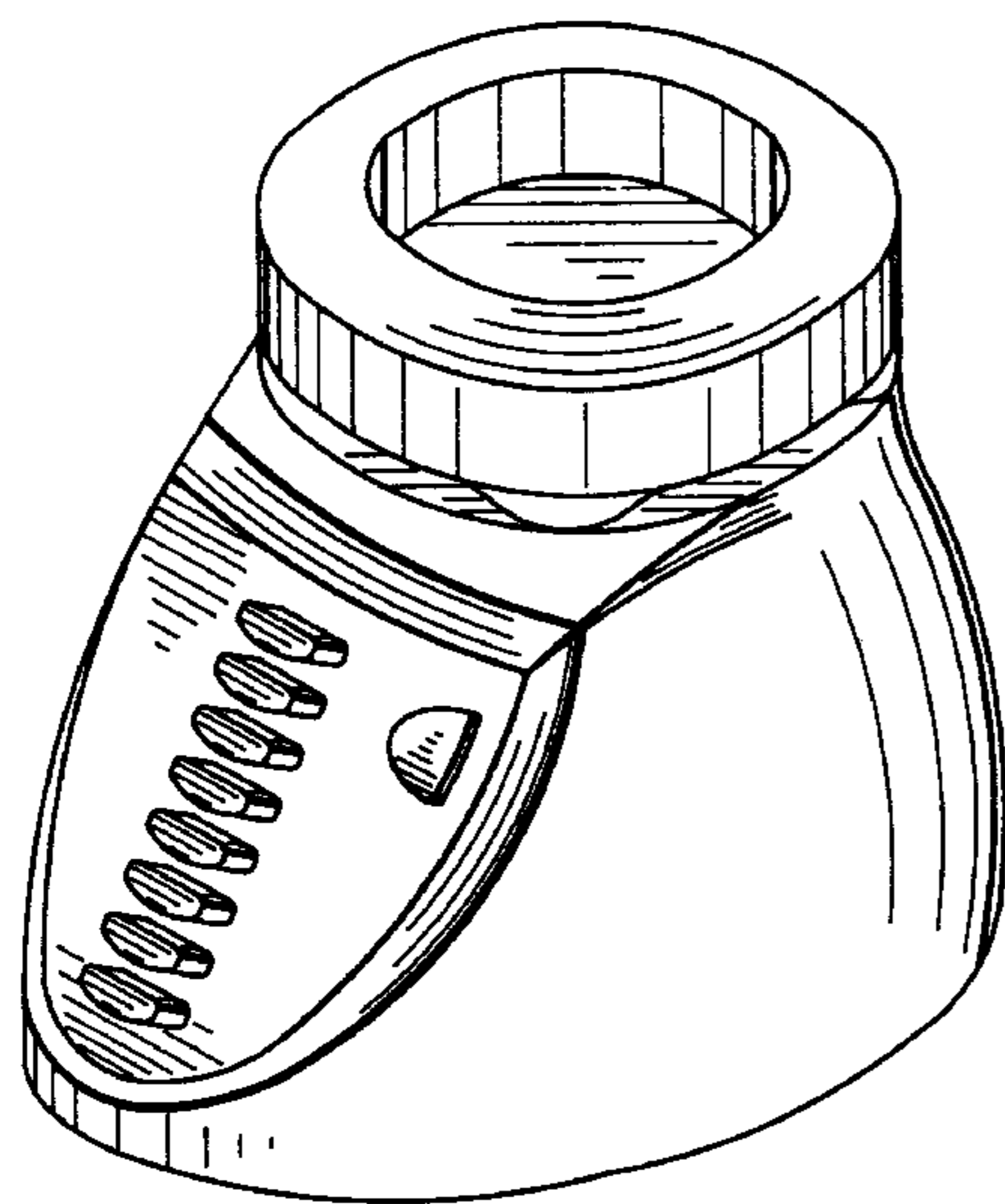


FIG. 1

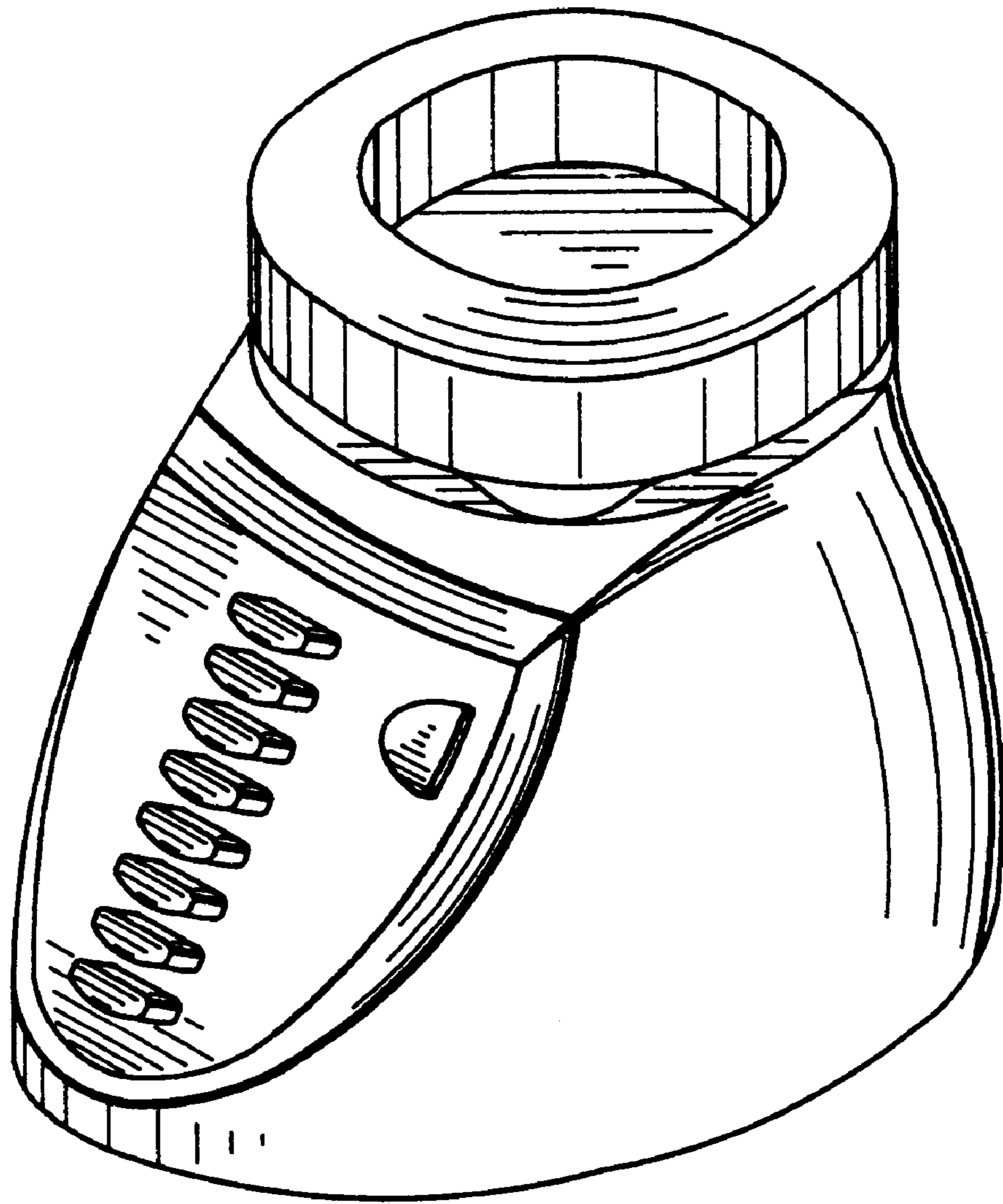


FIG. 2

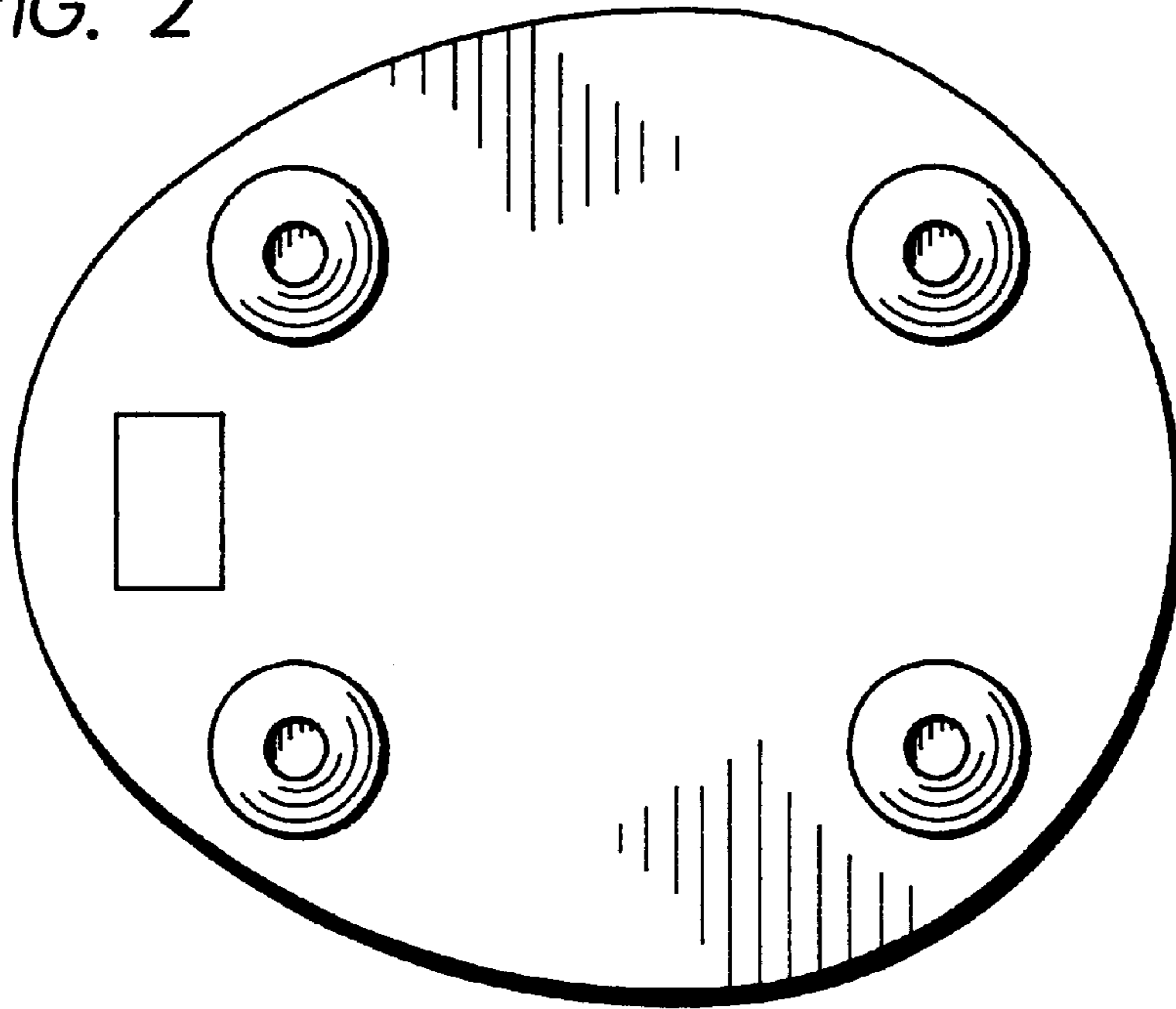


FIG. 3

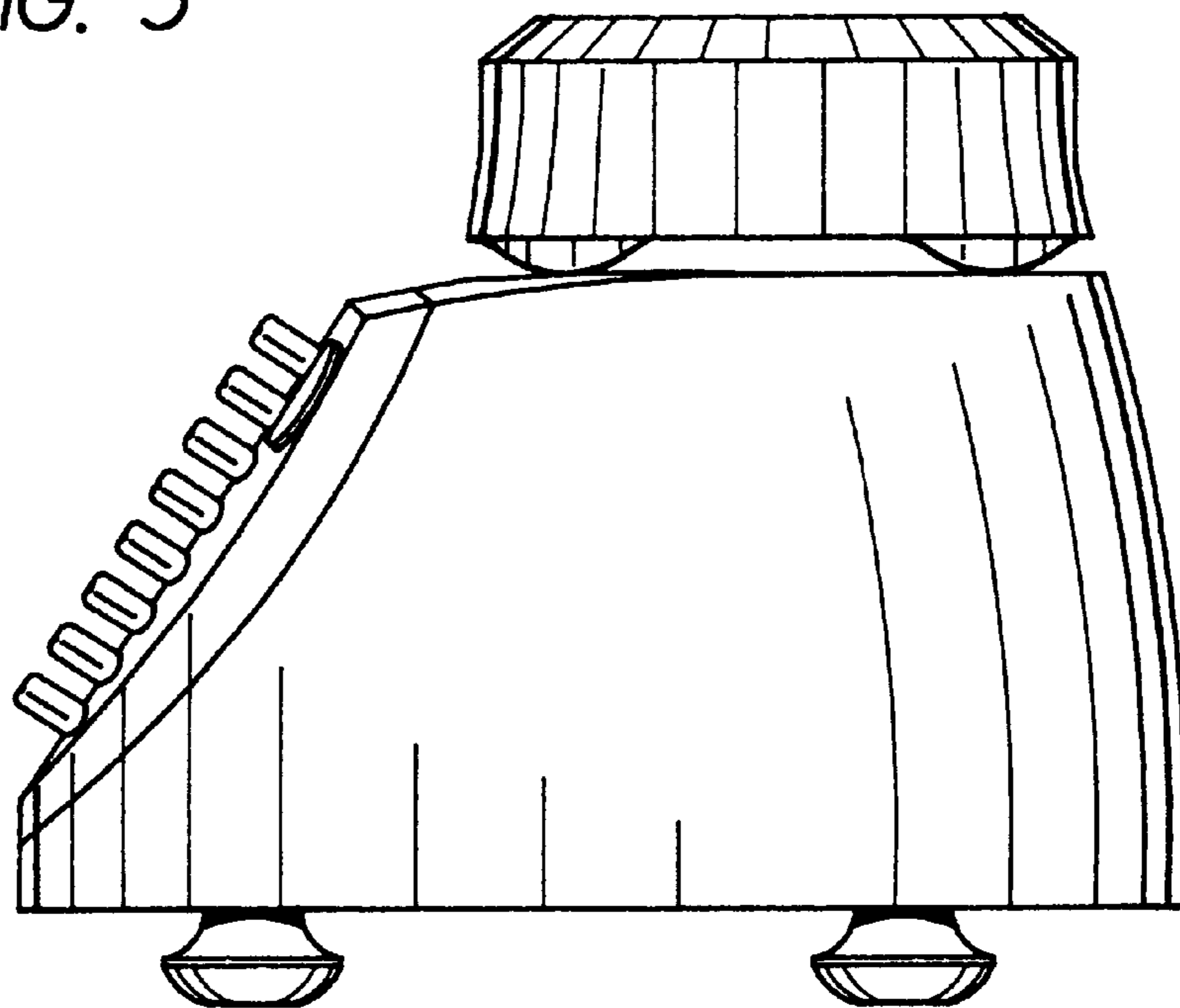


FIG. 4

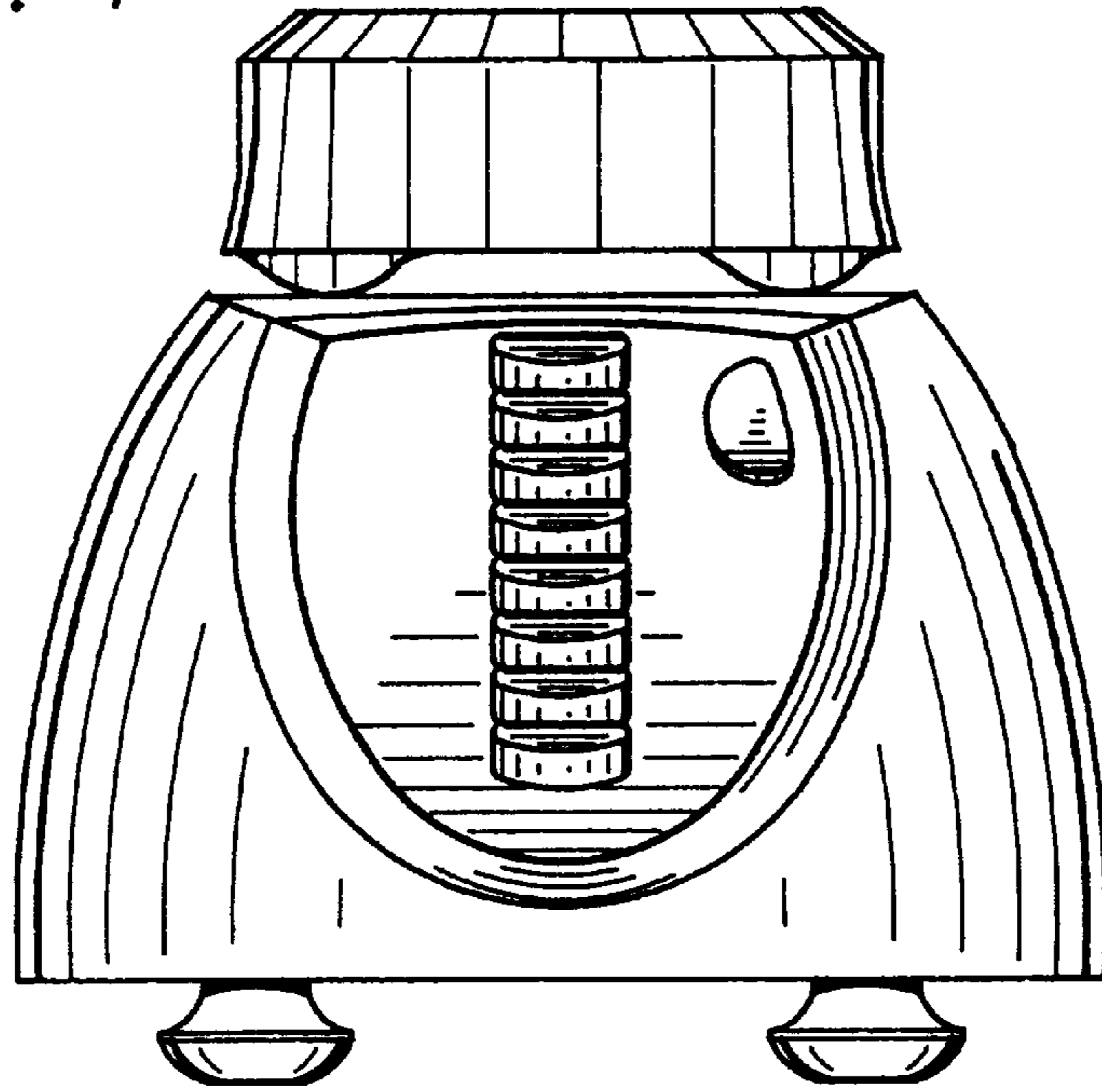


FIG. 5

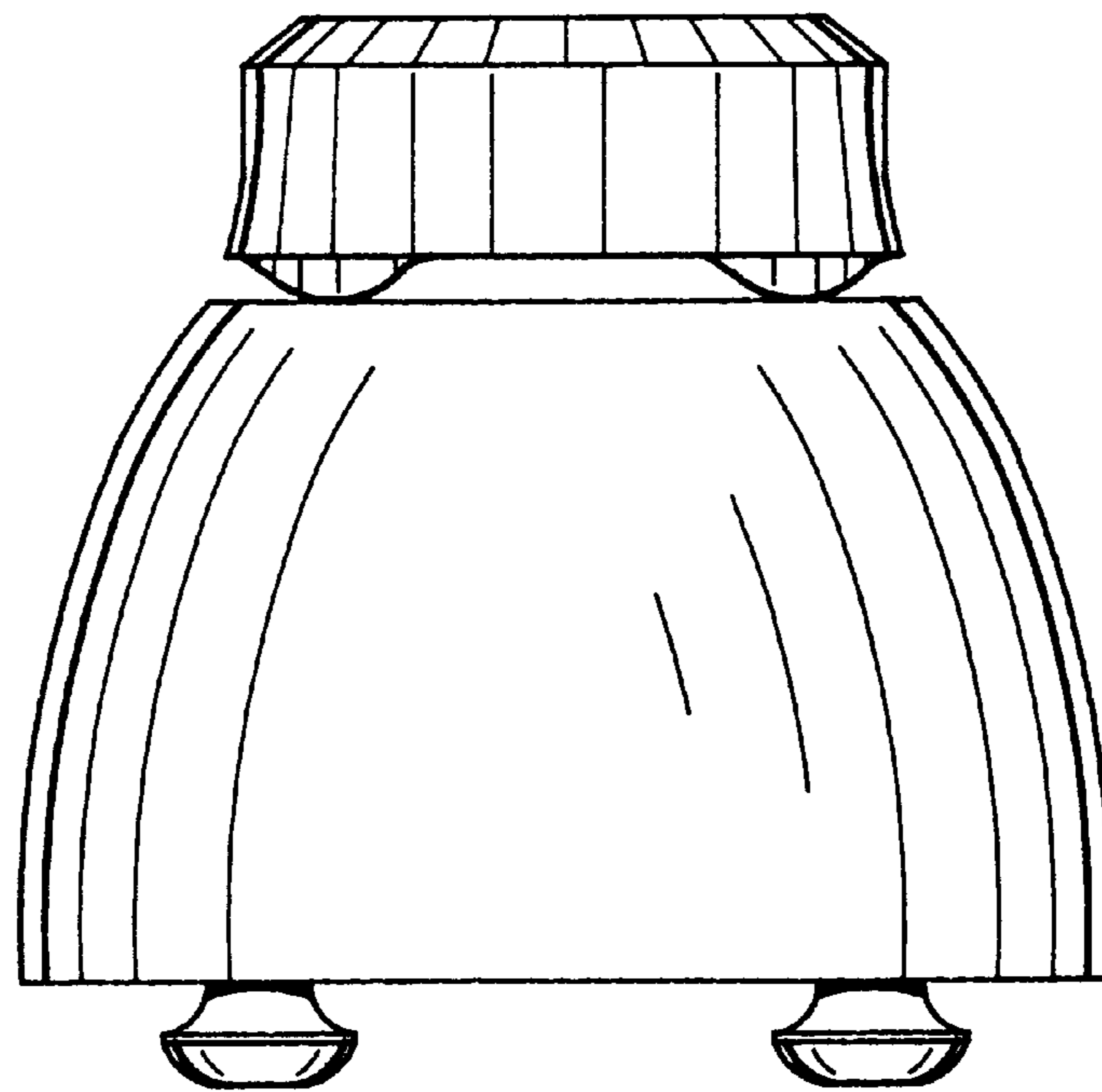


FIG. 6

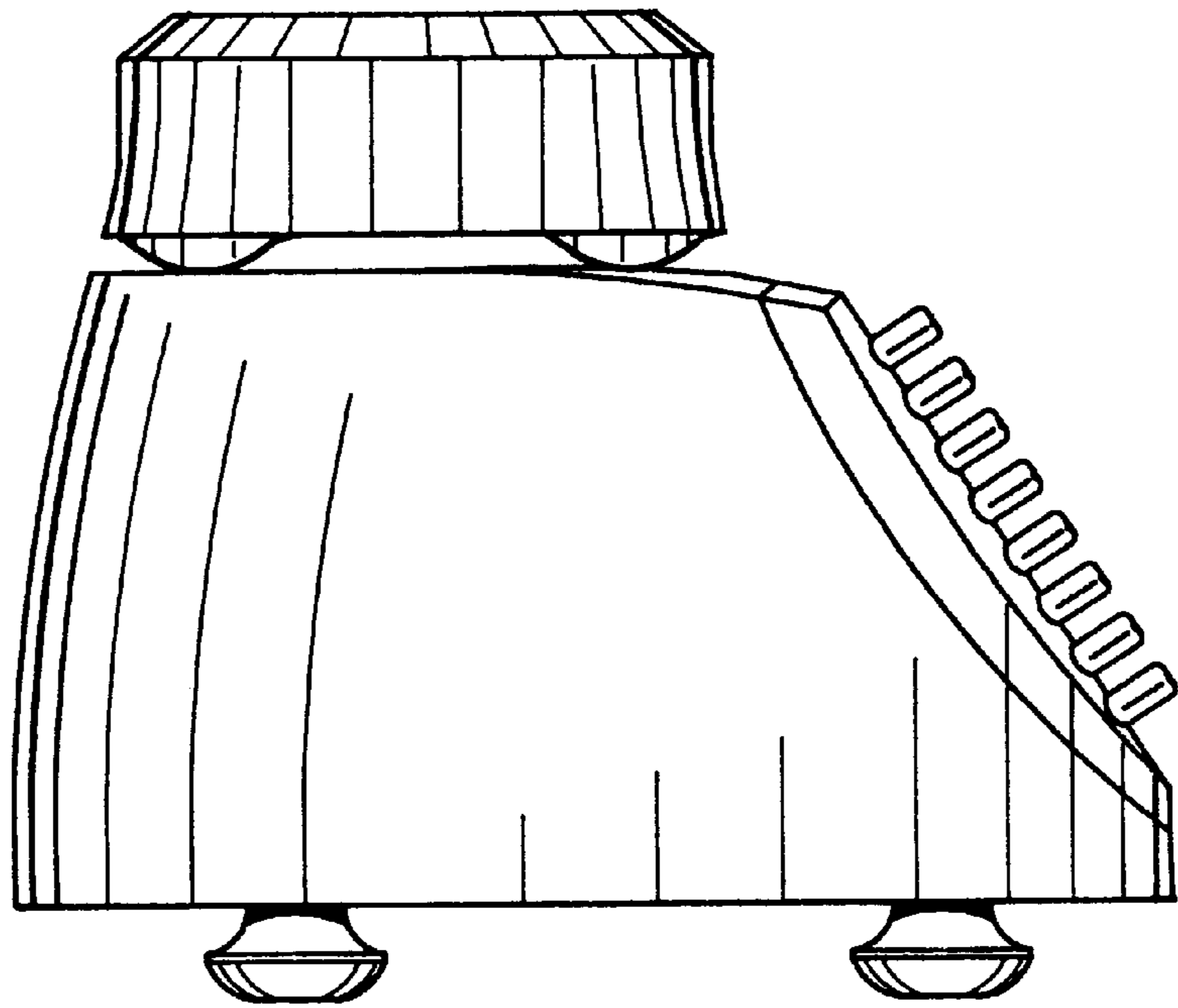


FIG. 7

