



US00D439105S

(12) **United States Design Patent**
Naft et al.

(10) **Patent No.:** **US D439,105 S**

(45) **Date of Patent:** **** Mar. 20, 2001**

(54) **FOOD PROCESSOR HOUSING**

(75) Inventors: **Stuart Naft**, Fairfield; **David Kaiser**, Plainville, both of CT (US); **Eric Price**, Medford, MA (US)

(73) Assignee: **HP Intellectual Corp.**, Wilmington, DE (US)

(**) Term: **14 Years**

(21) Appl. No.: **29/117,220**

(22) Filed: **Jan. 19, 2000**

(51) **LOC (7) Cl.** **31-00**

(52) **U.S. Cl.** **D7/386**

(58) **Field of Search** D7/376-378, 384, D7/386; 99/509-511; 241/33, 101.01, 278.2, 285.2; 366/197, 199, 241

(56) **References Cited**

U.S. PATENT DOCUMENTS

- D. 259,992 7/1981 Kahlcke .
- D. 272,979 3/1984 Akita et al. .
- D. 282,620 2/1986 Cavalli .
- D. 287,327 12/1986 Cavalli .
- D. 290,676 7/1987 Stutzer et al. .
- D. 293,873 1/1988 Maass .
- D. 296,860 7/1988 Maass .
- D. 296,976 8/1988 Maass .
- D. 297,901 10/1988 Barrault .
- D. 323,763 2/1992 Barrault .
- D. 324,322 3/1992 Barrault .
- D. 325,322 4/1992 Maass .
- D. 335,065 4/1993 Gildersleeve .
- D. 337,917 8/1993 Barrault .
- D. 337,918 * 8/1993 Littmann D7/386
- D. 338,134 8/1993 Hoffman .

- D. 338,803 8/1993 Littmann .
- D. 345,078 3/1994 Gotzsch .
- D. 345,079 3/1994 Johnson .
- D. 366,984 2/1996 Hsu .
- D. 373,703 9/1996 Frisell .
- D. 380,343 7/1997 Rorke .
- D. 385,150 * 10/1997 Leverrier D7/386
- D. 392,150 3/1998 Tanaka et al. .
- D. 413,227 8/1999 Alonge et al. .
- D. 431,959 * 10/2000 Lallemand D7/384
- D. 434,271 * 11/2000 Naft et al. D7/384
- 4,448,360 5/1984 Williams .
- 4,471,915 9/1984 Levin et al. .
- 4,516,733 5/1985 Funagura et al. .
- 4,714,203 12/1987 Williams .
- 5,065,672 11/1991 Federighi, Sr. .
- 5,222,430 6/1993 Wang .
- 5,421,248 6/1995 Hsu .

* cited by examiner

Primary Examiner—Caron D. Veynar

(74) *Attorney, Agent, or Firm*—Barry E. Deutsch, Esq.

(57) **CLAIM**

The ornamental design for a food processor housing, as shown and described.

DESCRIPTION

FIG. 1 is a perspective view, taken from the front, right side, and top, illustrating our new design of a food processor housing;

FIG. 2 is a top plan view thereof;

FIG. 3 is a right side elevation view thereof;

FIG. 4 is a rear elevation view thereof;

FIG. 5 is a front elevation view thereof;

FIG. 6 is a left side elevation view thereof; and,

FIG. 7 is a bottom plan view thereof.

1 Claim, 4 Drawing Sheets

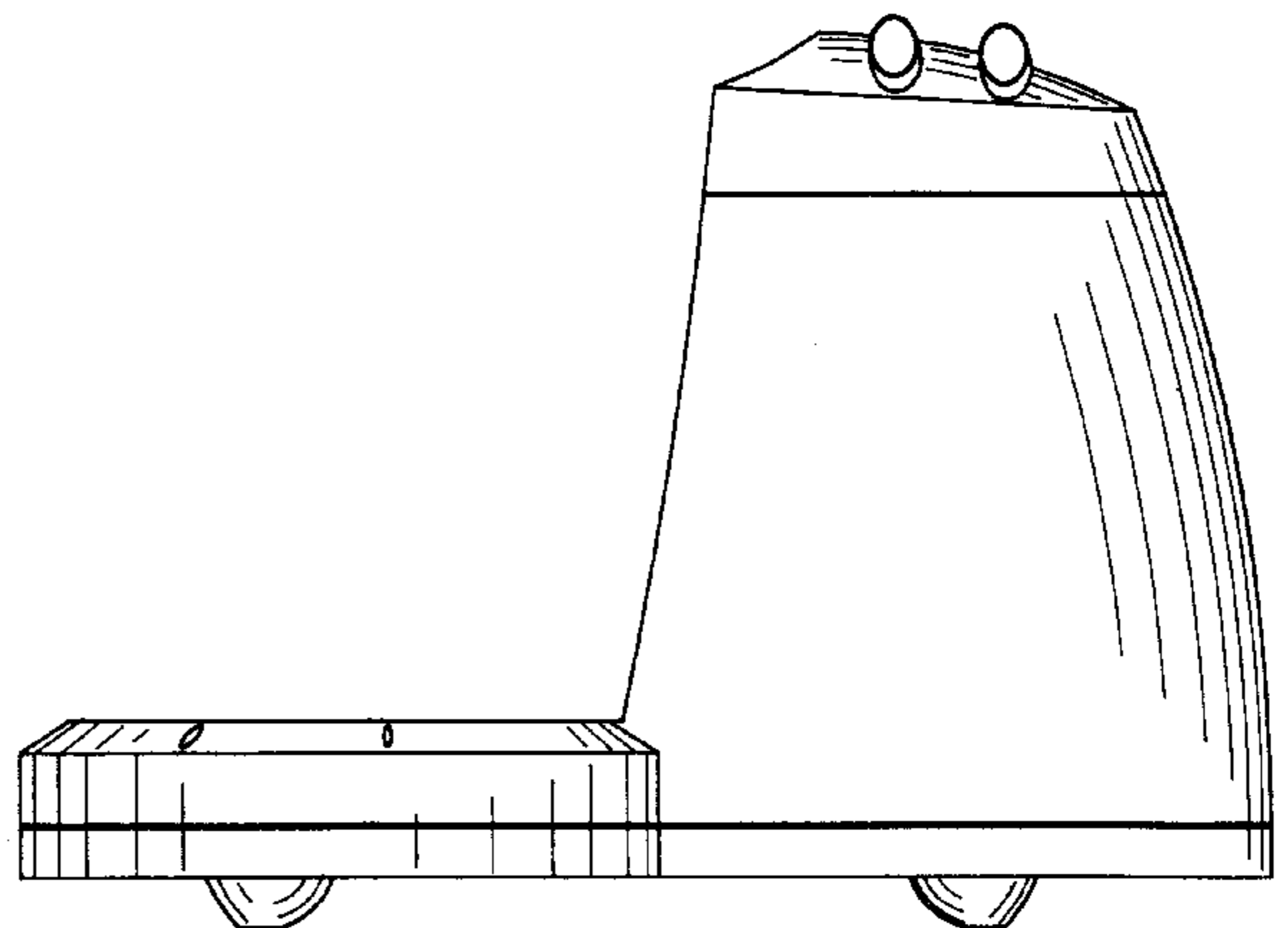
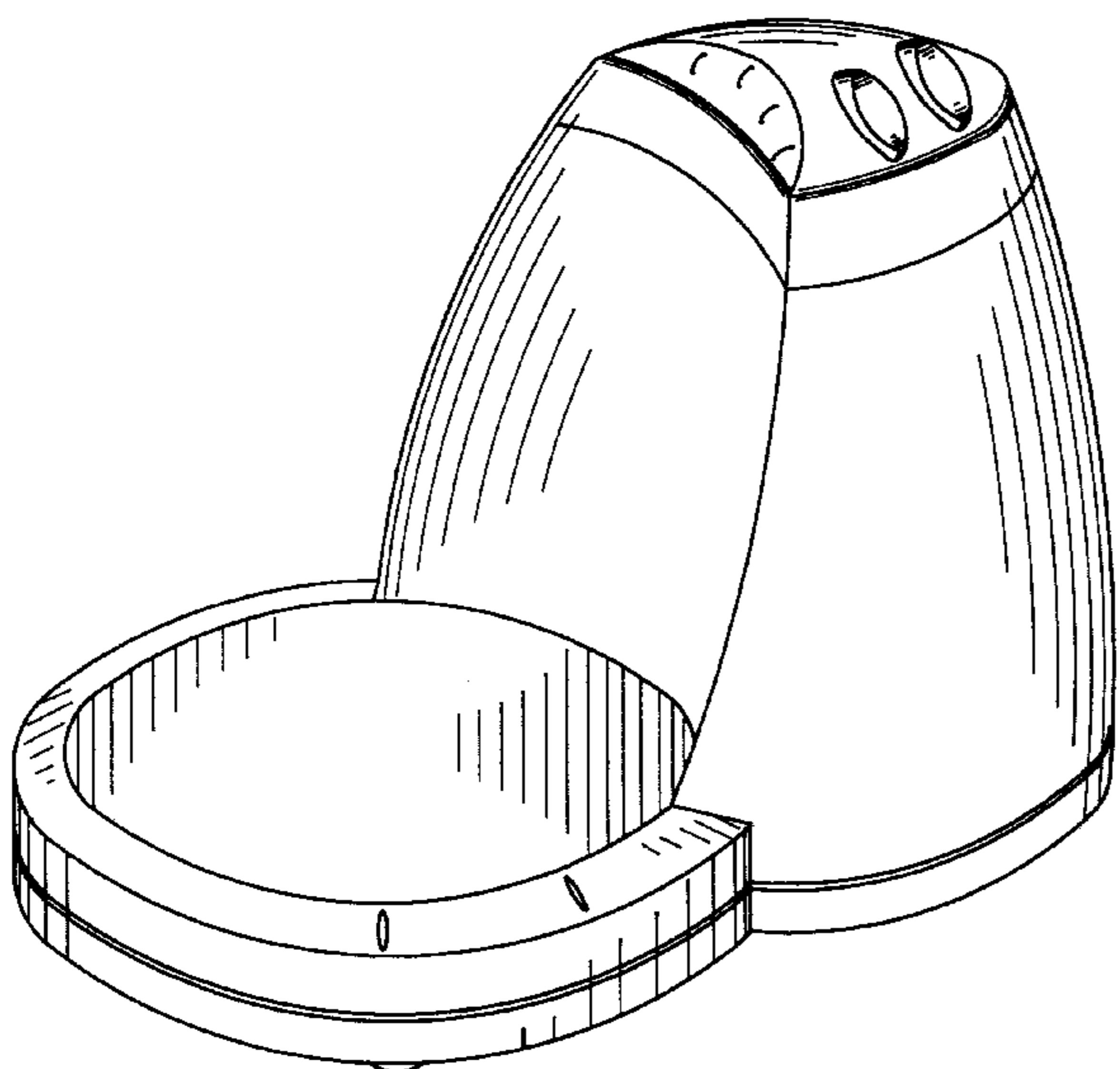


FIG. 1

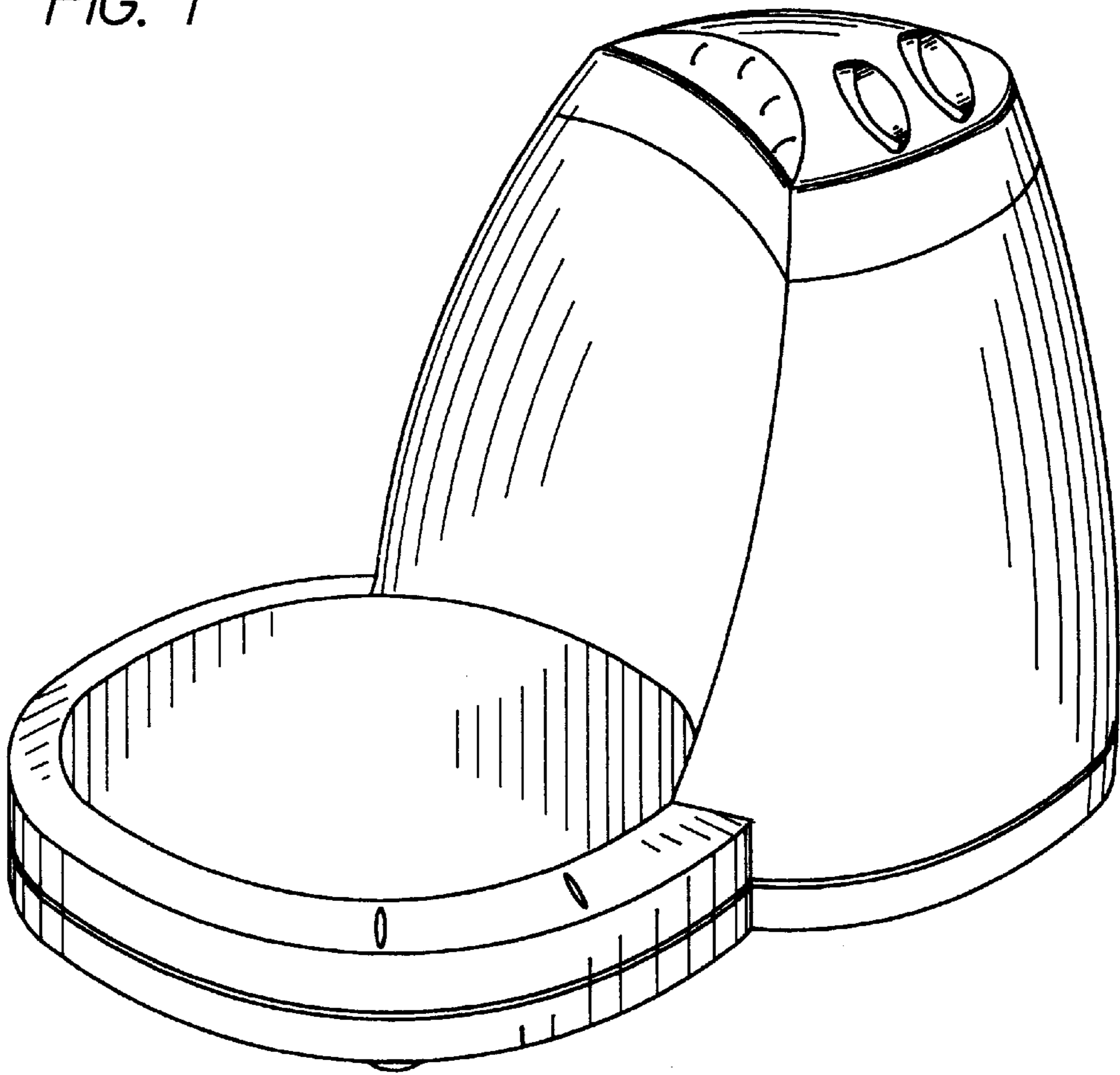


FIG. 2

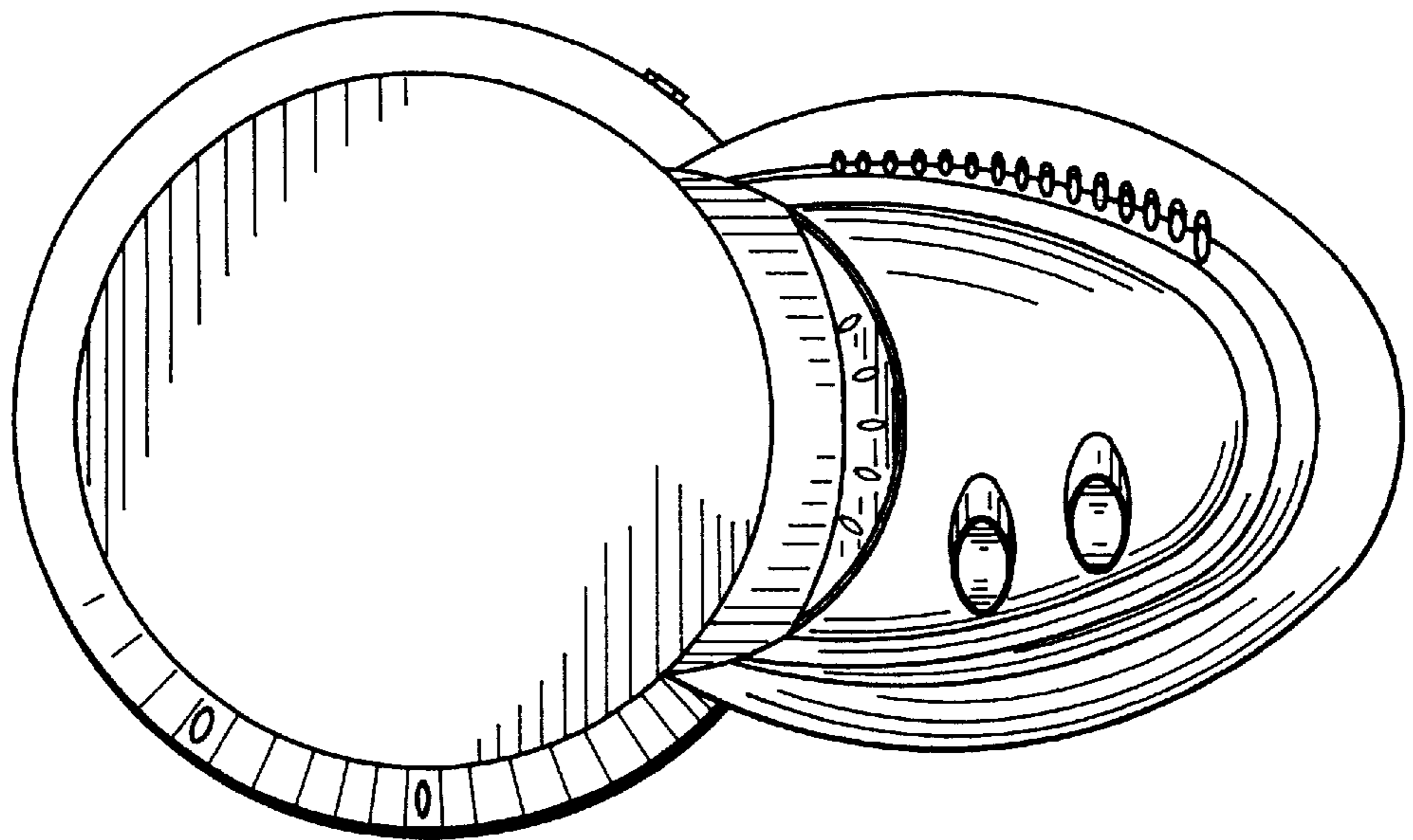
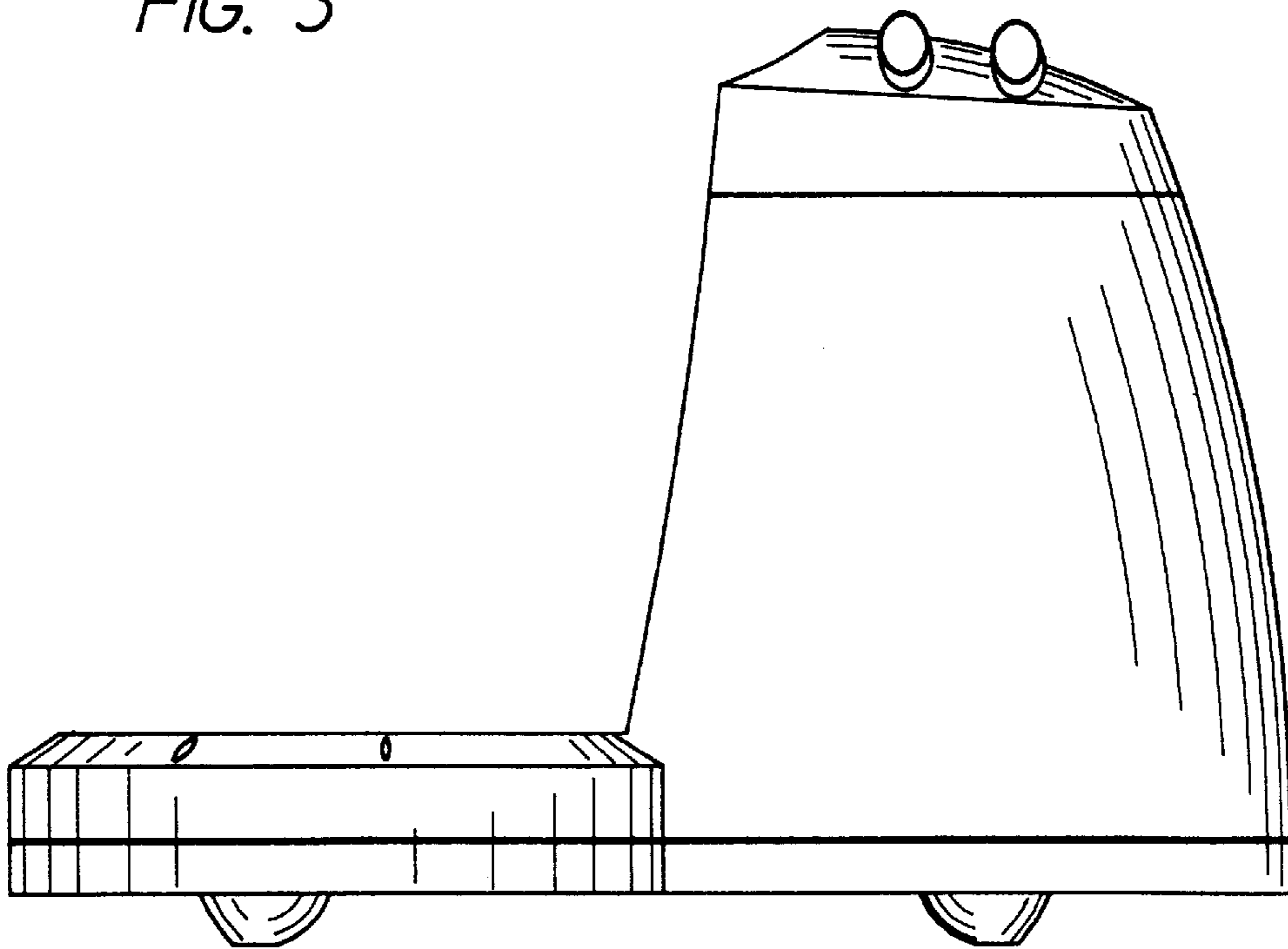


FIG. 3



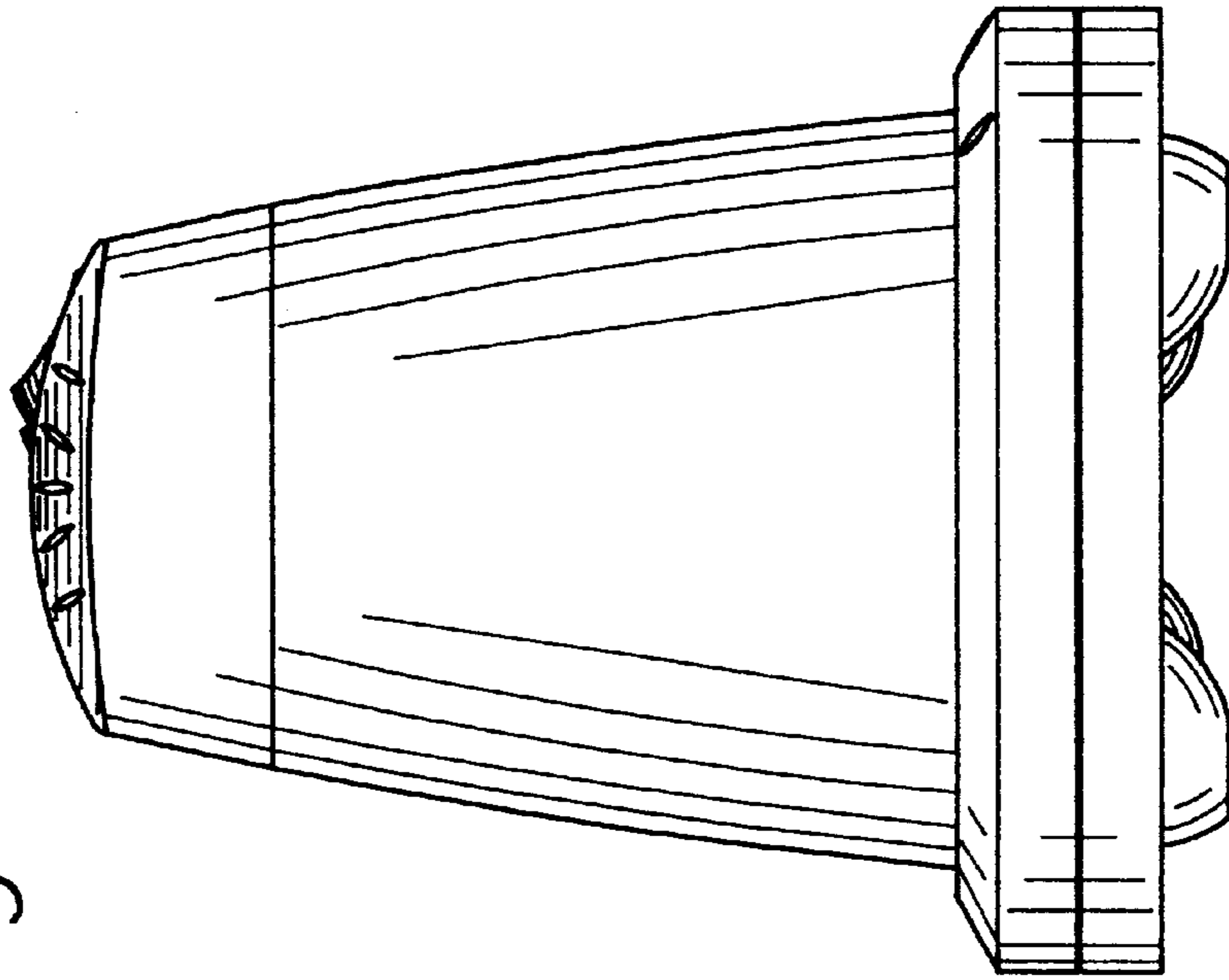


FIG. 5

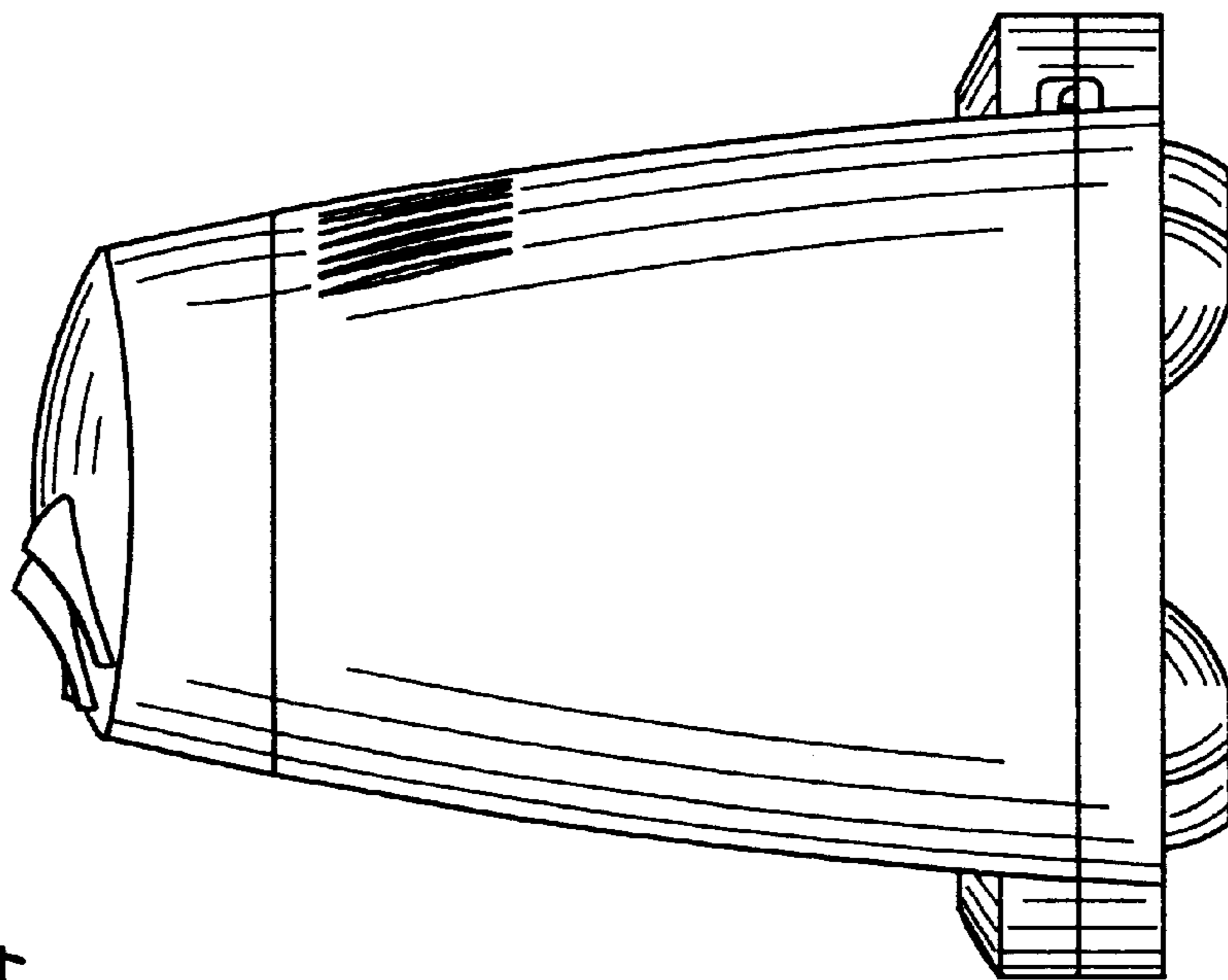


FIG. 4

FIG. 6

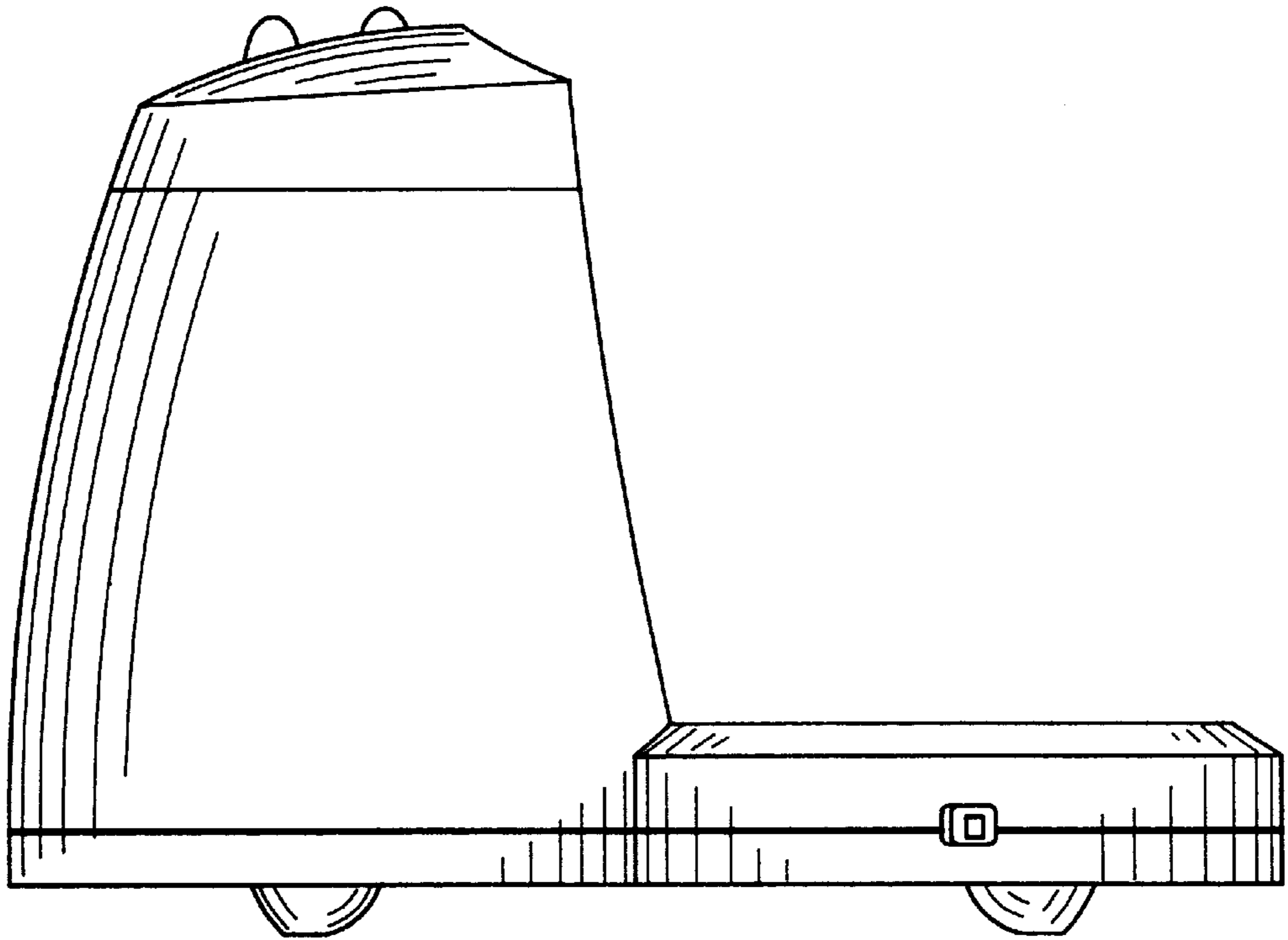


FIG. 7

