



US00D439103S

(12) **United States Design Patent** (10) **Patent No.:** **US D439,103 S**  
**Cruz** (45) **Date of Patent:** **\*\* Mar. 20, 2001**

(54) **COFFEE MAKER**

Front and rear covers and p. 268 of '96/'97 Jewelry, Gift and Home Catalog published by Service Merchandise.

(75) Inventor: **Anthony V. Cruz**, Richmond, VA (US)

\* cited by examiner

(73) Assignee: **Hamilton Beach/Proctor-Silex, Inc.**,  
Glen Allen, VA (US)

*Primary Examiner*—M. N. Pandozzi

(\*\*) Term: **14 Years**

(74) *Attorney, Agent, or Firm*—Roger S. Dybvig

(21) Appl. No.: **29/093,878**

(57) **CLAIM**

(22) Filed: **Sep. 21, 1998**

The ornamental design for a coffee maker, as shown and described.

(51) **LOC (7) Cl.** ..... **07-01**

(52) **U.S. Cl.** ..... **D7/309; D7/311**

(58) **Field of Search** ..... **D7/309, 310, 311,**  
**D7/300, 305, 306; 99/295, 306, 305**

**DESCRIPTION**

(56) **References Cited**

FIG. 1 is a perspective view as seen from the top, front, and right side of a coffee maker showing my new design;

**U.S. PATENT DOCUMENTS**

FIG. 2 is a rear elevational view thereof;

D. 288,517	3/1987	Kahlcke .	
D. 288,885	3/1987	Kahlcke .	
D. 300,596 *	4/1989	Eugster .....	D7/309
D. 317,546 *	6/1991	Rakocy et al. ....	D7/309
D. 336,207	6/1993	Brookshire .....	D7/309
D. 346,298	4/1994	Brady et al. .	
D. 359,195	6/1995	Mukai et al. ....	D7/309
D. 371,270	7/1996	Bell et al. .	
D. 379,132	5/1997	Brady et al. .	
D. 407,261 *	3/1999	Lucas et al. ....	D7/309
5,133,247	7/1992	Pastrick .	
5,485,778	1/1996	Ullmann .	
5,586,485	12/1996	Baumann .	
5,684,759	11/1997	Huang et al. .	

FIG. 3 is a right side elevational view thereof;

FIG. 4 is a front elevational view thereof;

FIG. 5 is a left side elevational view thereof;

FIG. 6 is a bottom plan view thereof; and,

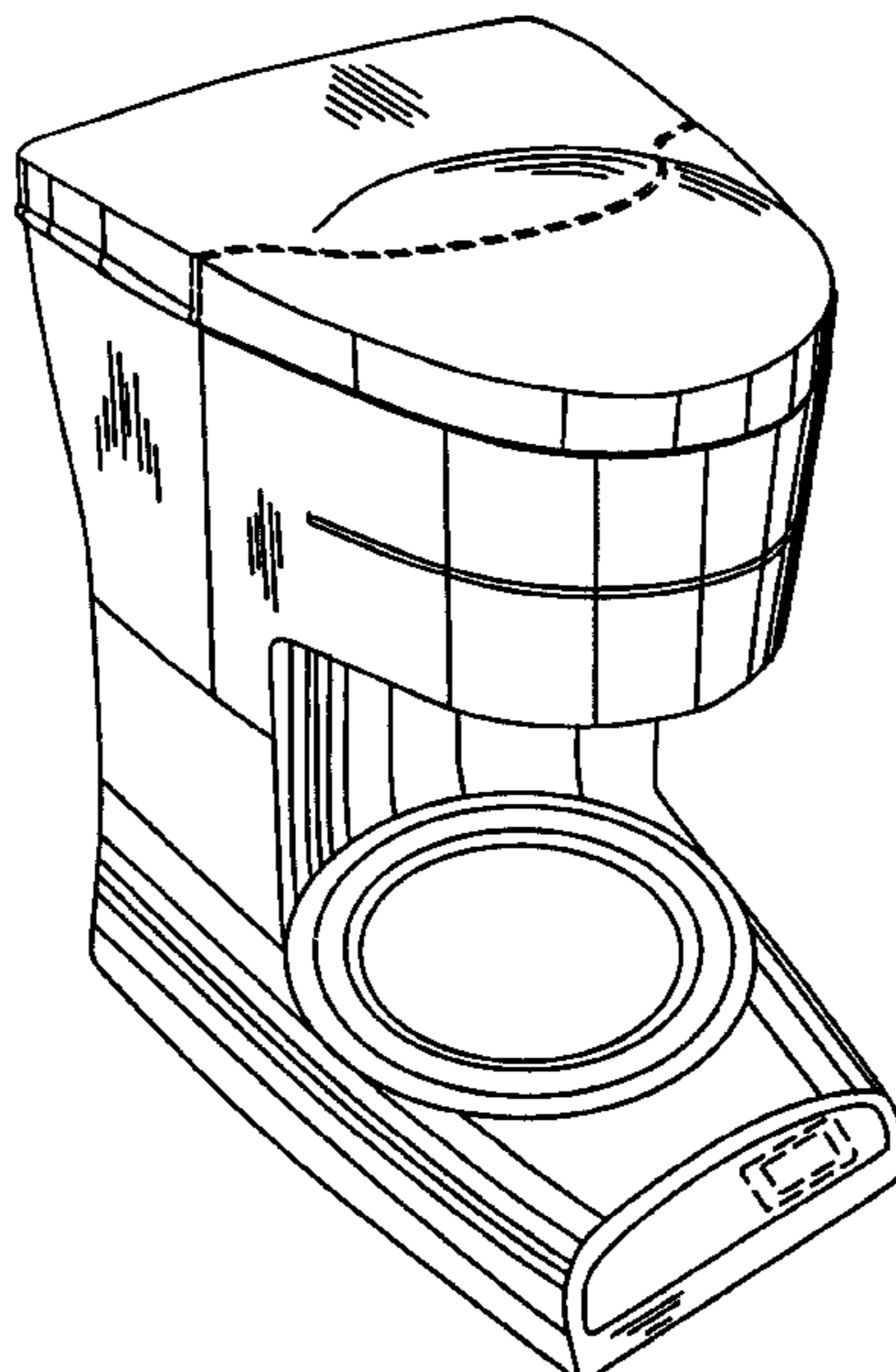
FIG. 7 is a top plan view thereof.

**OTHER PUBLICATIONS**

The broken lines in FIGS. 1, 3, 4, 5, and 7 showing the power switch; the broken lines in FIGS. 1, 3, 5, and 7 showing the seam which separates the pivotal water reservoir cover from the housing cover; the broken lines in FIGS. 2, 3, 4, 5, and 6 showing the feet; and the broken lines in FIG. 2 showing the cord storage opening are used for illustrative purposes only and form no part of the claimed design.

Front and rear covers and p. 6 of a 1998 Product Information Guide published in May 1998 by Hamilton Beach/Proctor-Silex, Inc.

**1 Claim, 2 Drawing Sheets**



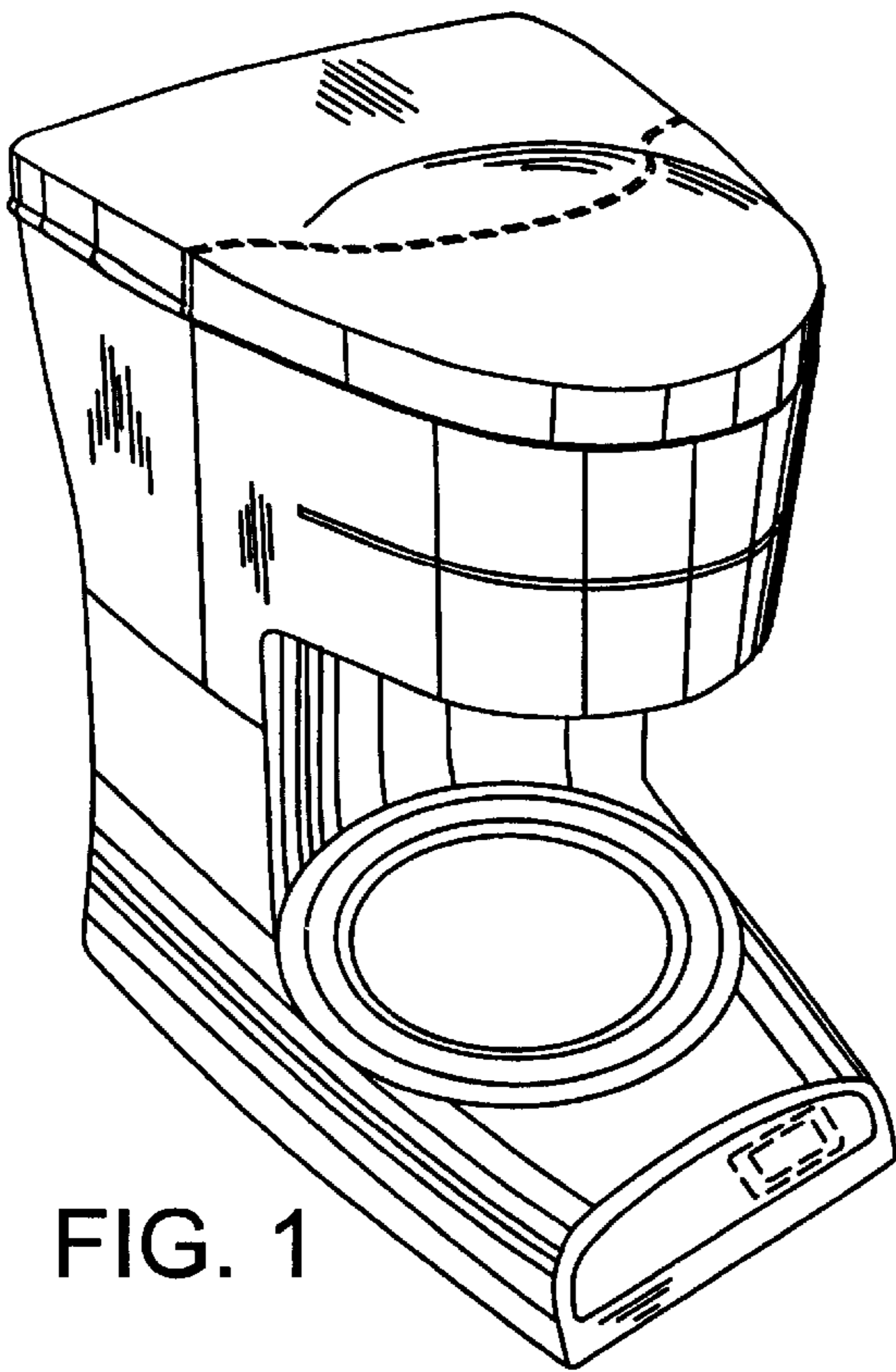


FIG. 1

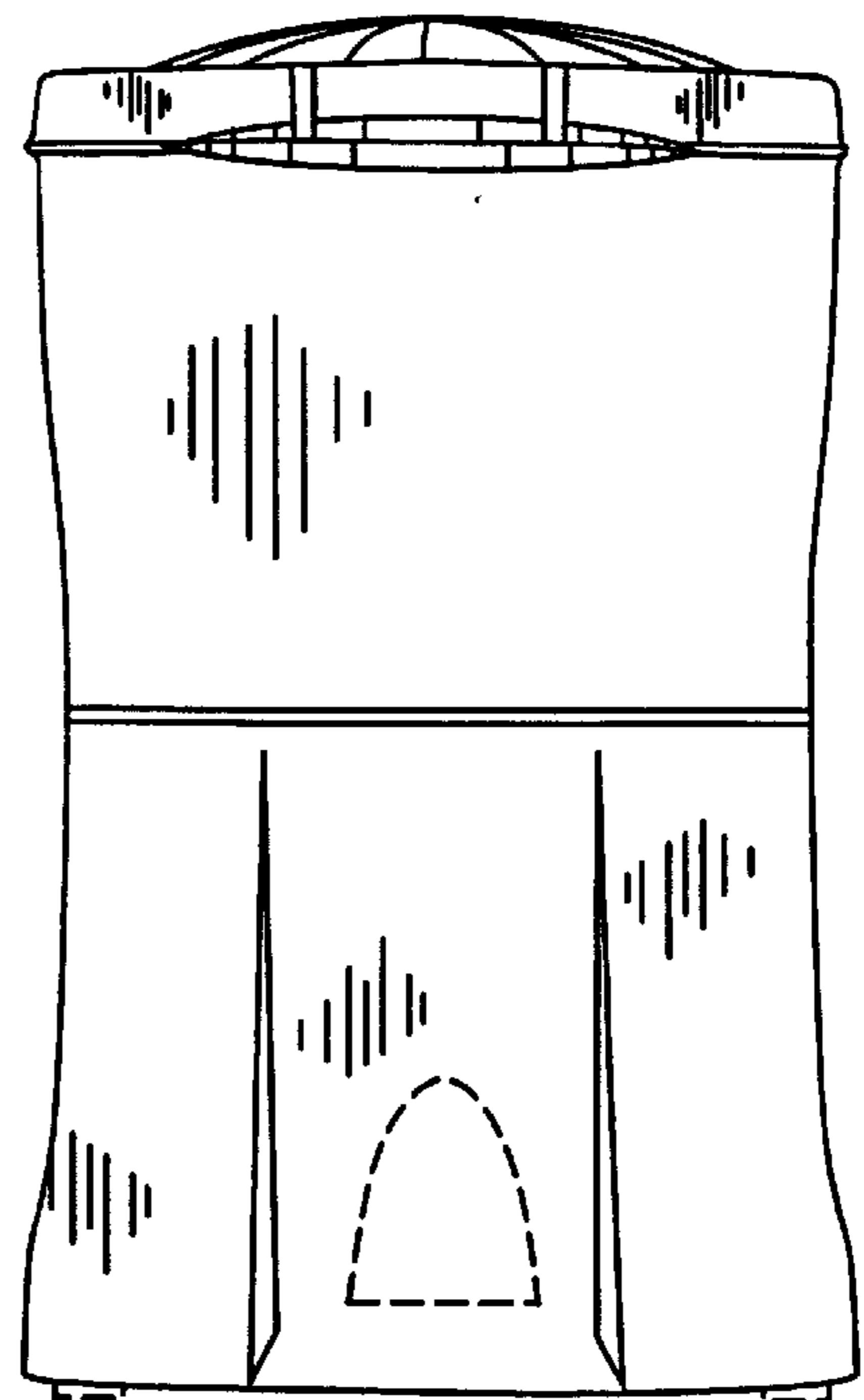


FIG. 2

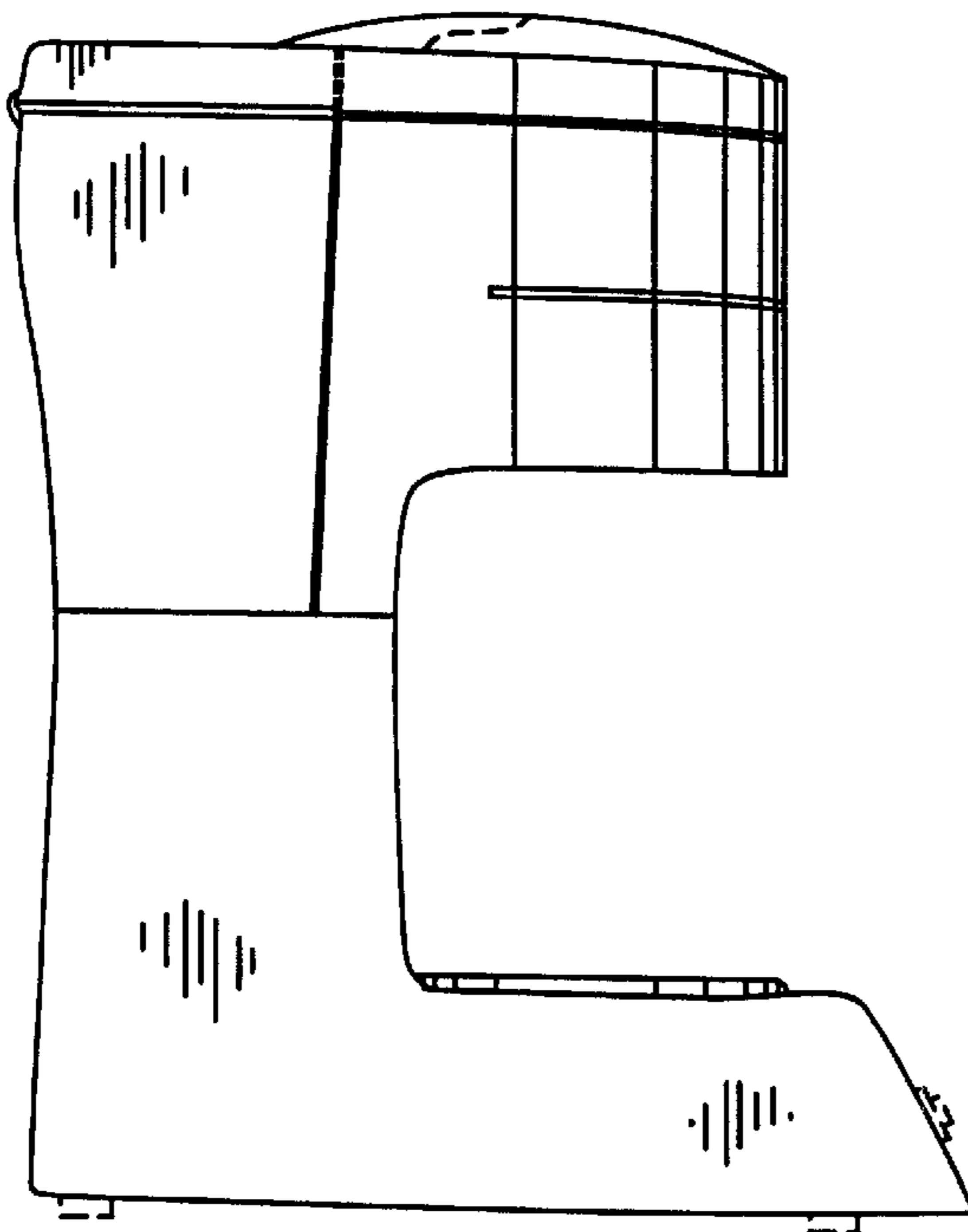


FIG. 3

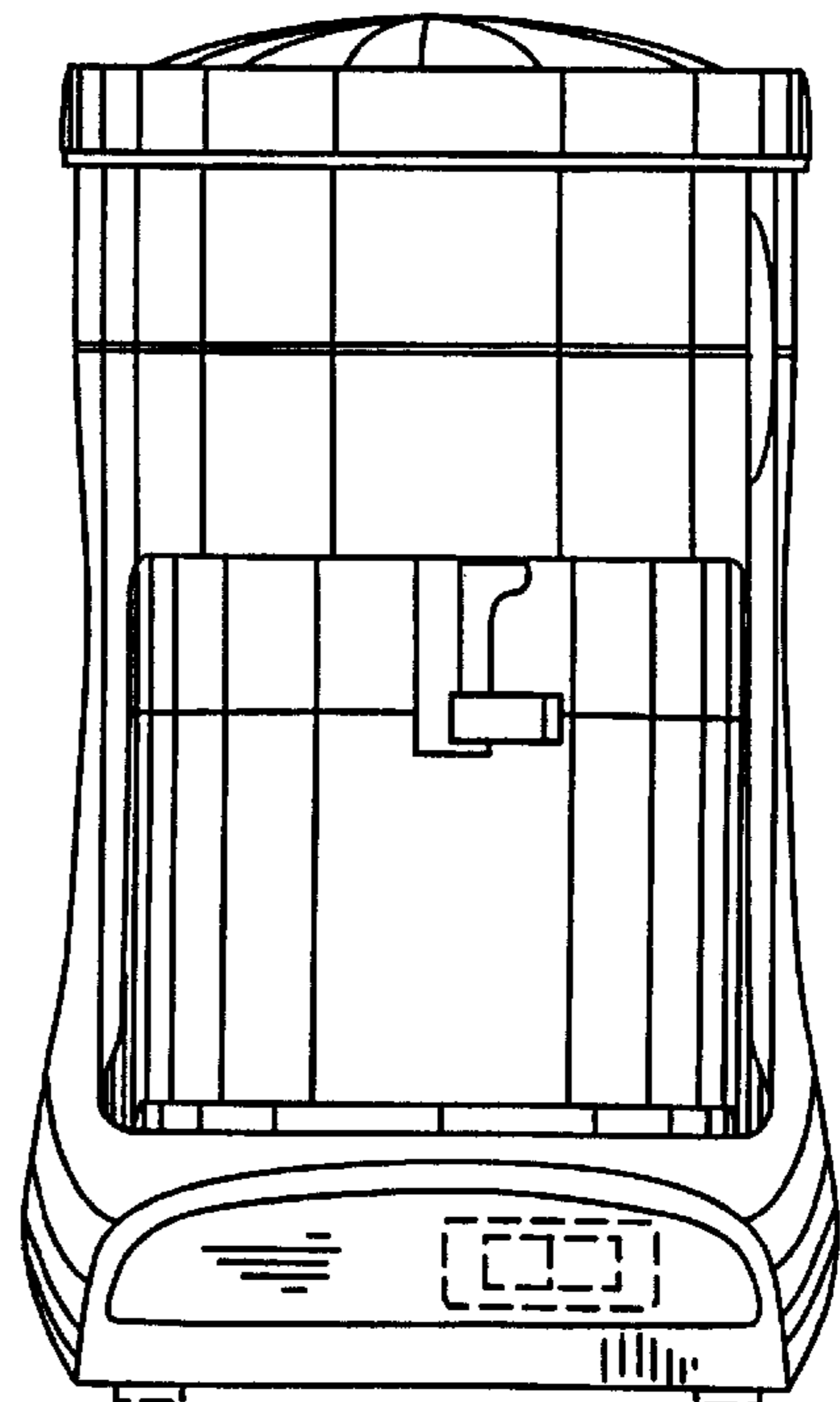


FIG. 4

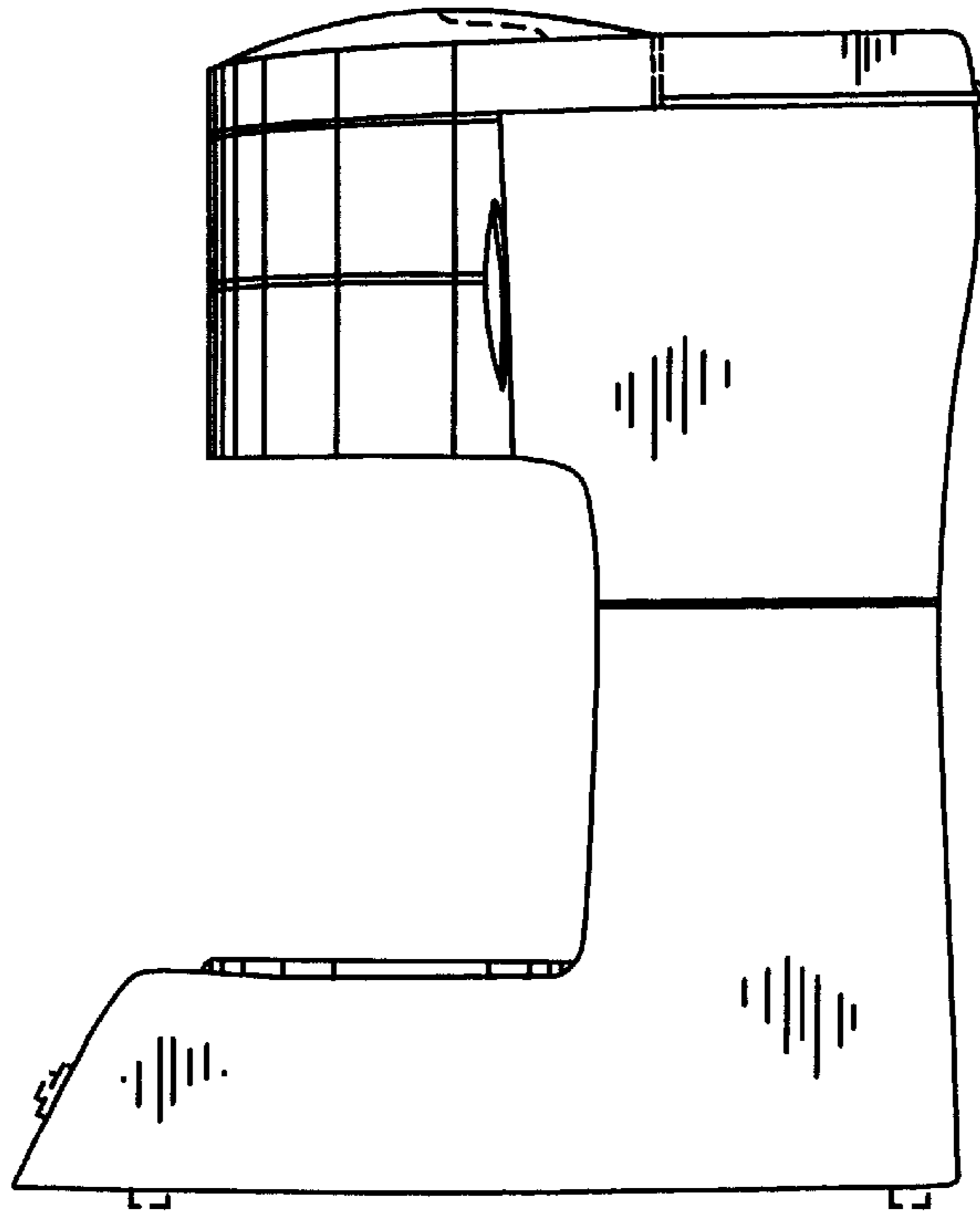


FIG. 5

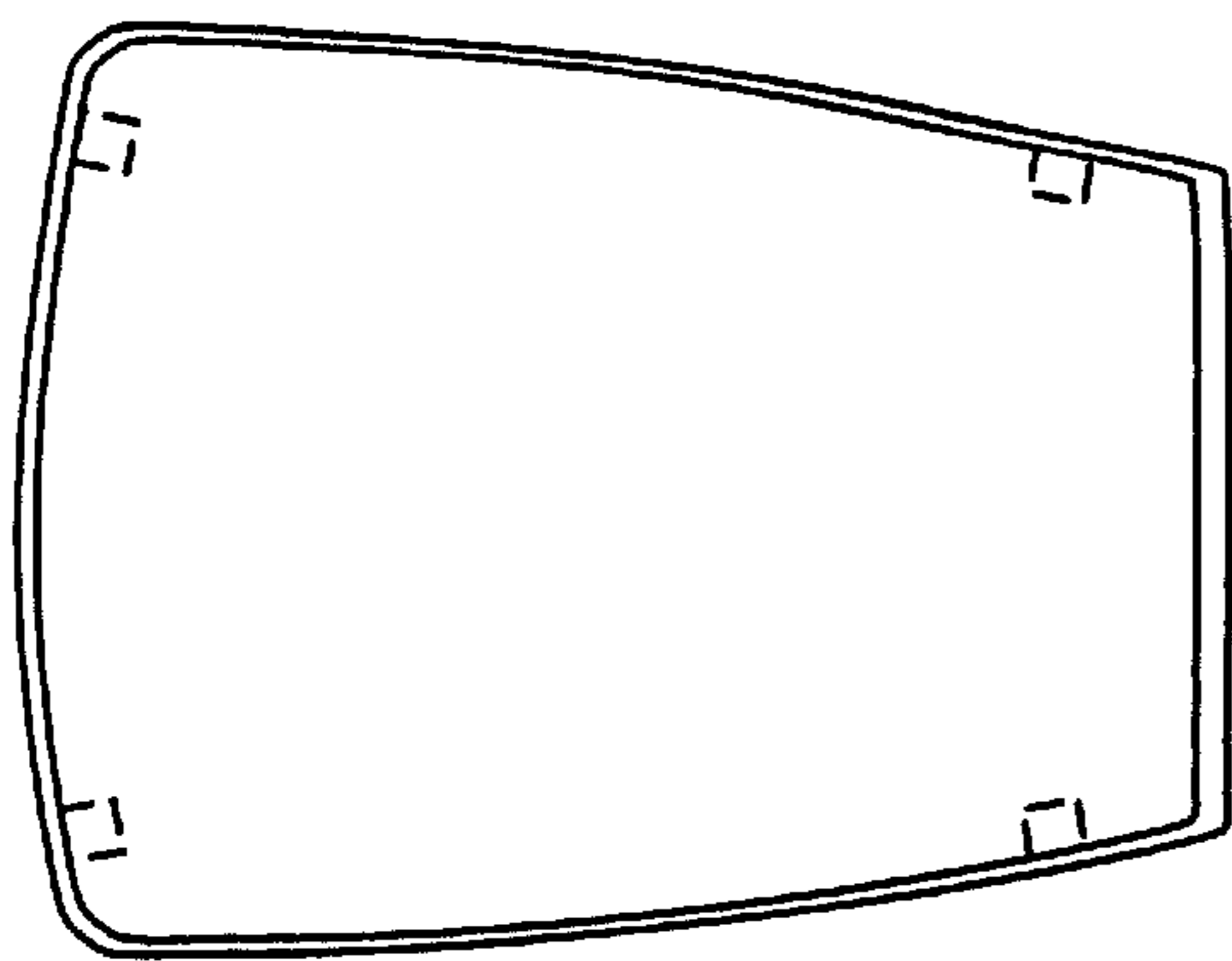


FIG. 6

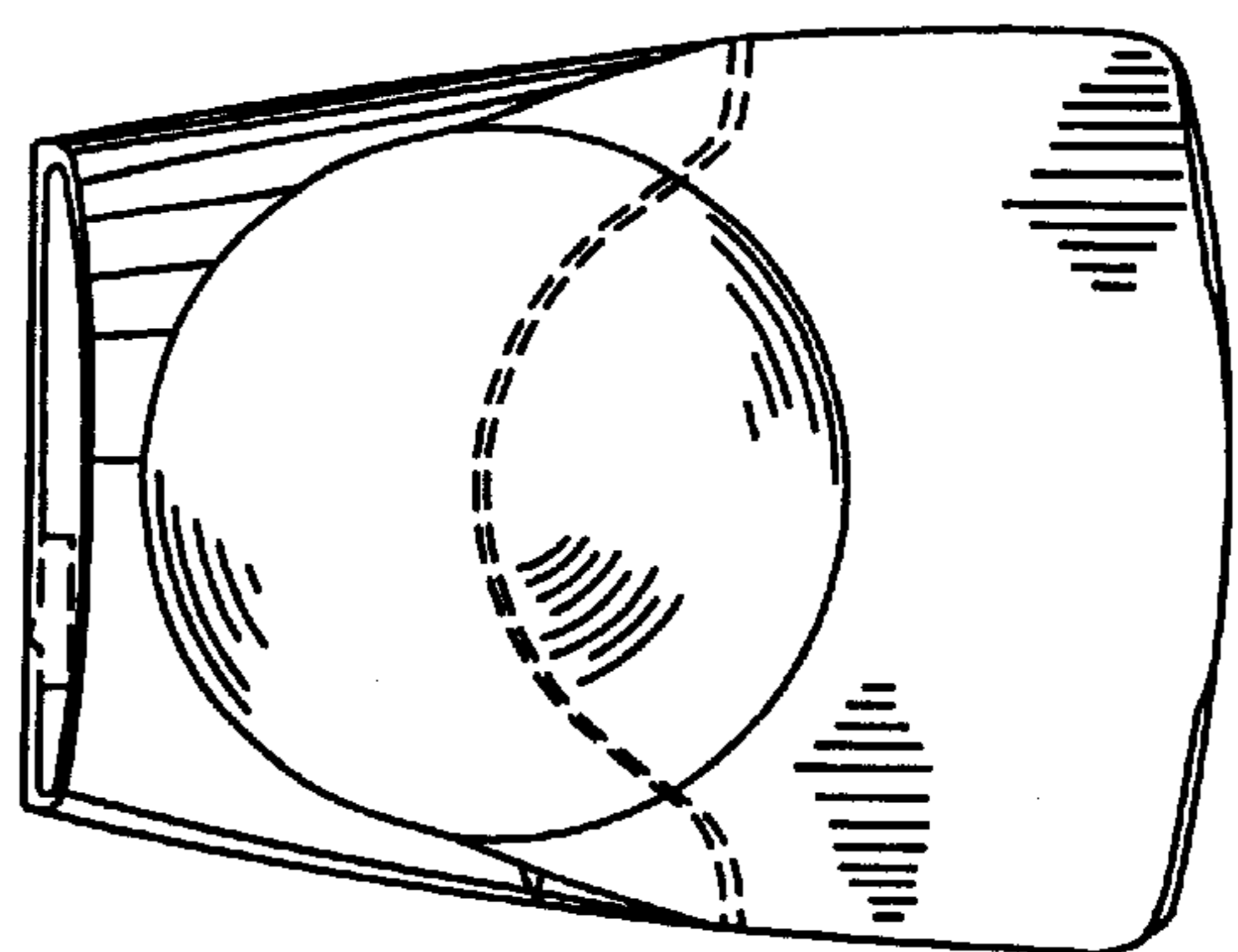


FIG. 7