



US00D439100S

(12) **United States Design Patent**  
**Owaku**

(10) **Patent No.:** **US D439,100 S**

(45) **Date of Patent:** **\*\* Mar. 20, 2001**

(54) **TRIANGULAR BACKUP CUSHION SEAT**

5,423,099 \* 6/1995 Gulli ..... 5/638  
6,047,419 \* 4/2000 Ferguson ..... 5/630

(75) Inventor: **Manabu Owaku**, Tokyo (JP)

\* cited by examiner

(73) Assignee: **Bodydoctor, Inc.**, Alhambra, CA (US)

*Primary Examiner*—Janice E. Seeger

(\*\*) Term: **14 Years**

(74) *Attorney, Agent, or Firm*—Thomas I. Rozsa; Tony D. Chen; Jerry Fong

(21) Appl. No.: **29/119,668**

(57) **CLAIM**

(22) Filed: **Mar. 3, 2000**

The ornamental design for a triangular backup cushion seat, as shown and described.

(30) **Foreign Application Priority Data**

**DESCRIPTION**

Sep. 10, 1999 (JP) ..... 11-24252

(51) **LOC (7) Cl.** ..... **06-09**

(52) **U.S. Cl.** ..... **D6/601**

(58) **Field of Search** ..... D6/595, 596, 597,  
D6/601, 604; 5/630, 632, 636, 638, 640,  
644, 652, 652.1, 653-655, 657.5, 907

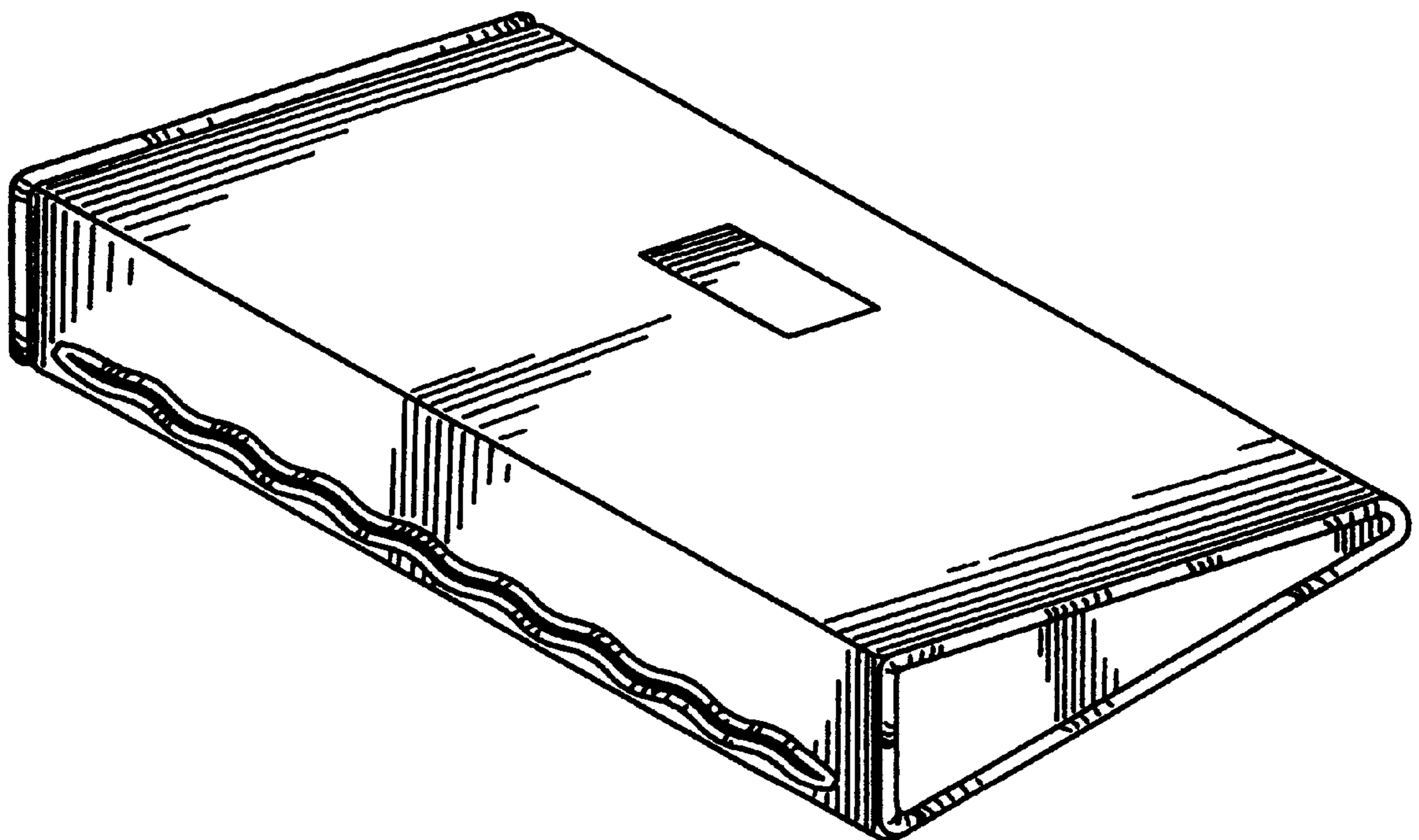
FIG. 1 is a back elevational view;  
FIG. 2 is a front elevational view;  
FIG. 3 is a top plan view;  
FIG. 4 is a bottom plan view;  
FIG. 5 is a side elevational view, the other side being a mirror image;  
FIG. 6 is a perspective view of a triangular backup cushion seat, showing my new design; and,  
FIG. 7 is a perspective view of a triangular backup cushion seat, without the cover for convenience of illustration.

(56) **References Cited**

**U.S. PATENT DOCUMENTS**

D. 406,210 \* 3/1999 Johnson ..... D6/601  
3,389,411 \* 6/1968 Emery ..... 5/636  
5,153,960 \* 10/1992 Ritter et al. .... 5/640

**1 Claim, 2 Drawing Sheets**



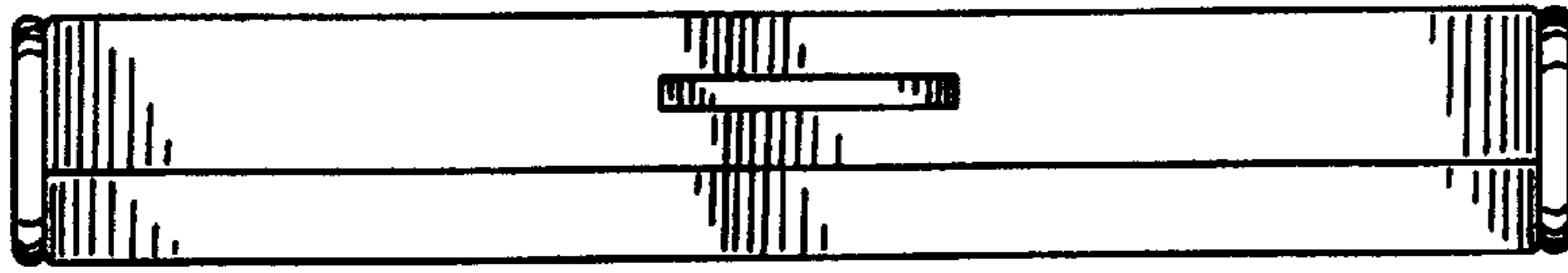


FIG. 1

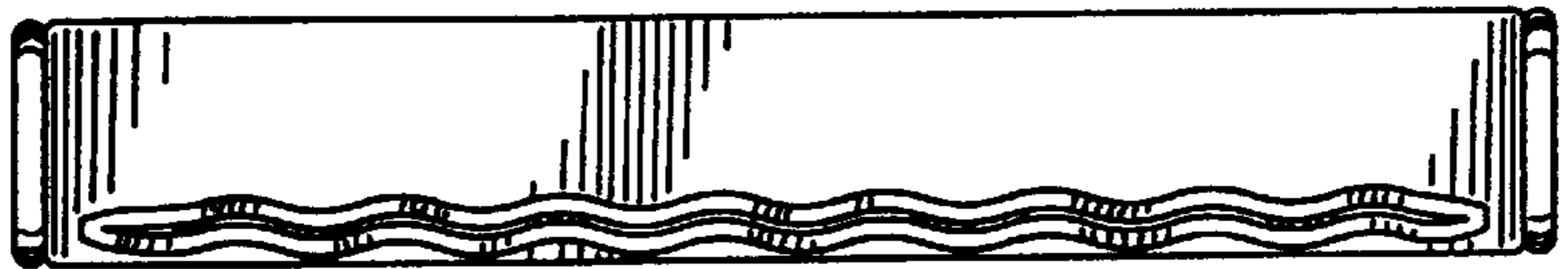


FIG. 2

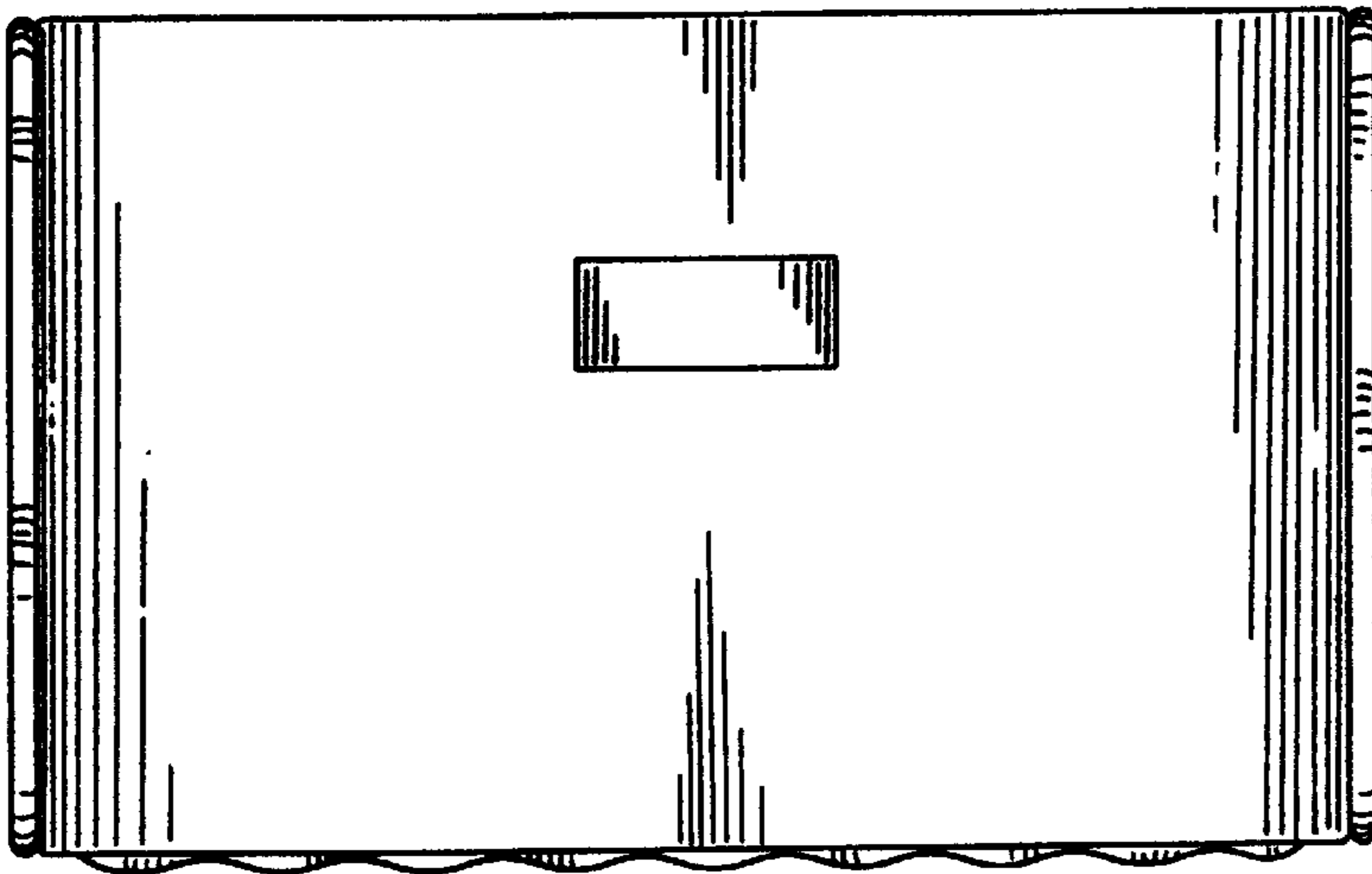


FIG. 3

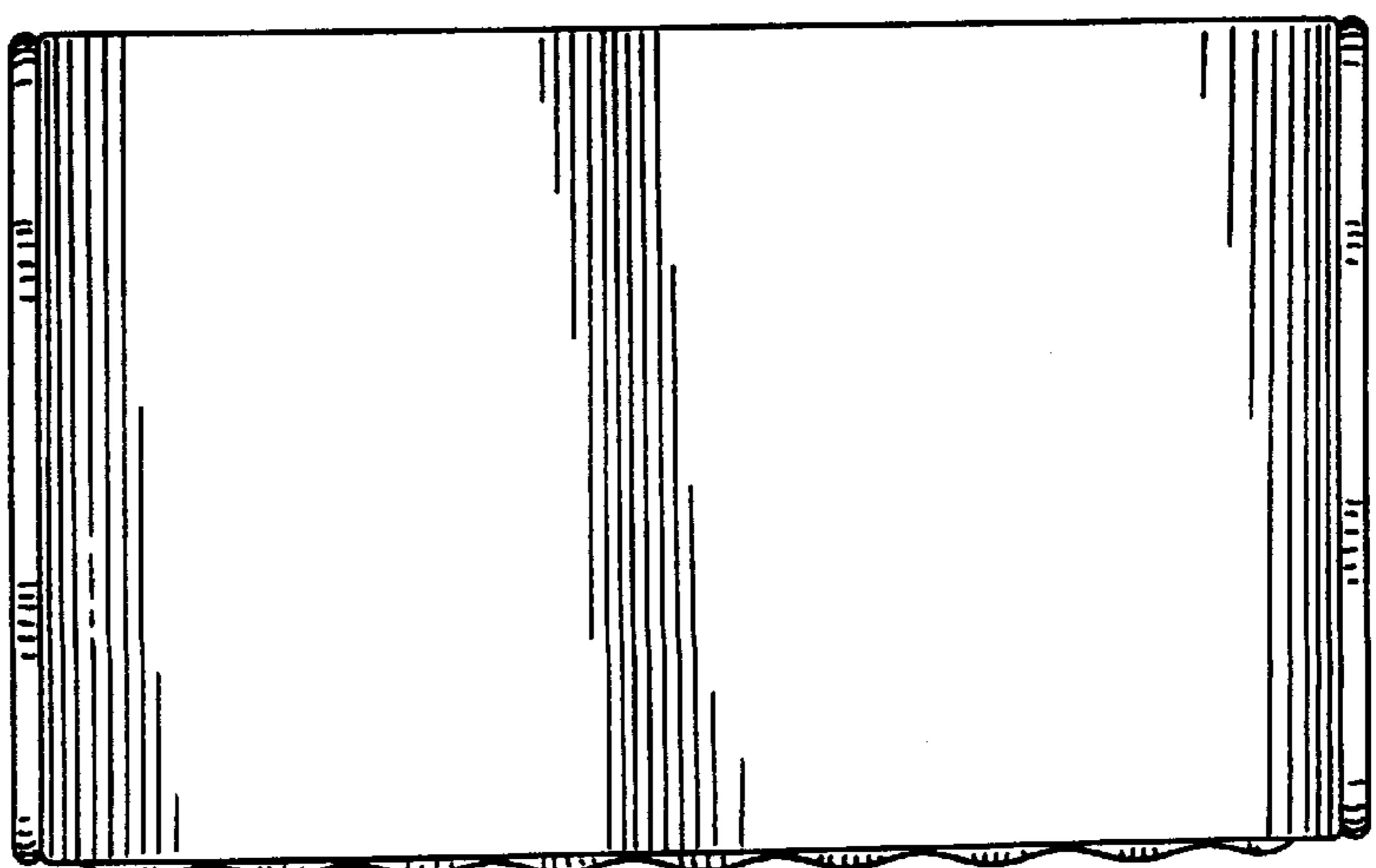


FIG. 4

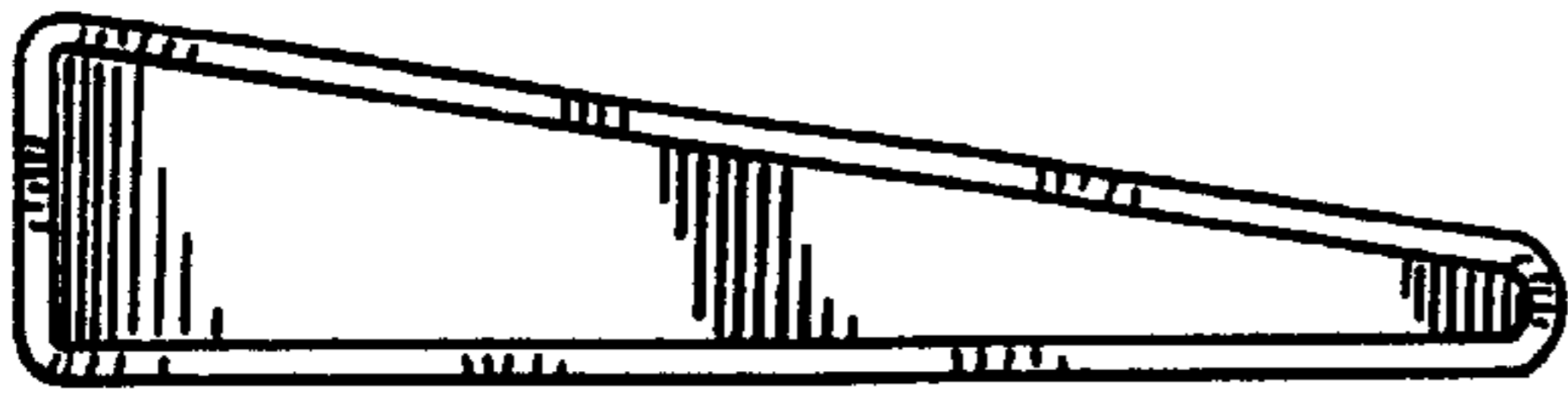


FIG. 5

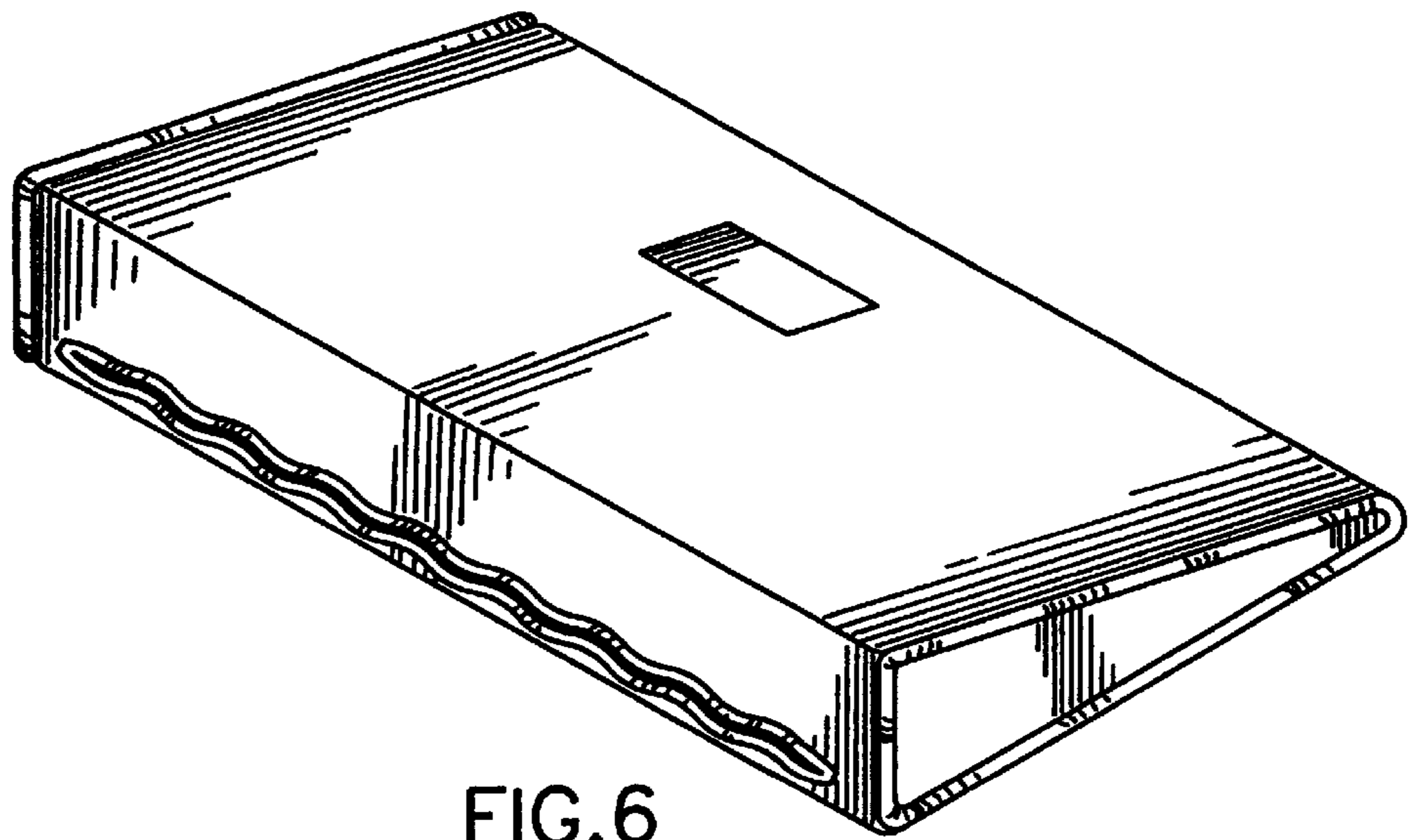


FIG. 6

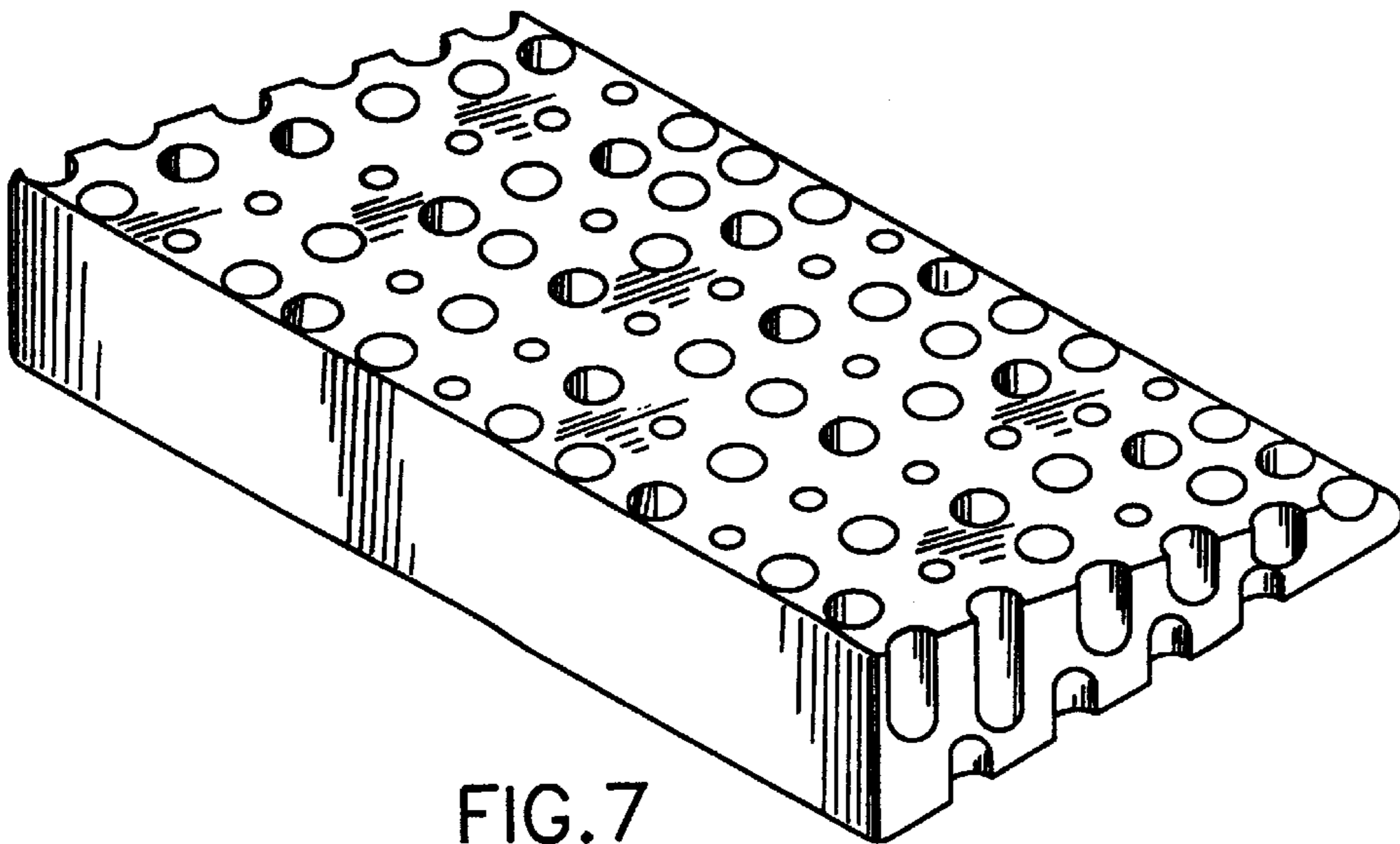


FIG. 7