



US00D439098S

(12) **United States Design Patent**
Matsler et al.

(10) **Patent No.:** **US D439,098 S**

(45) **Date of Patent:** **** Mar. 20, 2001**

(54) **CUSHION SEATING AREA**

5,596,781 * 1/1997 Graebe 5/710

(75) Inventors: **Winfield R. Matsler; Kurt Graebe,**
both of St. Clair County, IL (US)

* cited by examiner

Primary Examiner—Janice E. Seeger

(73) Assignee: **Roho, Inc.,** Belleville, IL (US)

(74) *Attorney, Agent, or Firm*—Polster, Lieder, Woodruff & Lucchesi, L.C.

(**) Term: **14 Years**

(57) **CLAIM**

(21) Appl. No.: **29/064,752**

The ornamental design for a cushion seating area, as shown and described.

(22) Filed: **Jan. 10, 1997**

DESCRIPTION

Related U.S. Application Data

(63) Continuation-in-part of application No. 29/056,954, filed on Jul. 12, 1996, now Pat. No. Des. 386,035.

(51) **LOC (7) Cl.** **06-09**

(52) **U.S. Cl.** **D6/601; D6/595; D6/596; D6/604**

(58) **Field of Search** D6/595, 596, 604, D6/601; 5/630, 633, 636–639, 645, 646, 736, 901, 652–654, 655.3, 655.9, 656

FIG. 1 is a front, right side and top perspective view of a cushion seating area showing our new design, the design is shown in solid lines and the broken lines show the environment in which the design is located and forms no part of the claimed design;

FIG. 2 is a top plan view of the design shown in solid lines; FIG. 3 is a fragmentary sectional view taken along line 3—3 of FIG. 2;

FIG. 4 is a fragmentary sectional view taken along line 4—4 of FIG. 2;

FIG. 5 is a fragmentary sectional view taken along line 5—5 of FIG. 2;

FIG. 6 is a fragmentary sectional view taken along line 6—6 of FIG. 2; and,

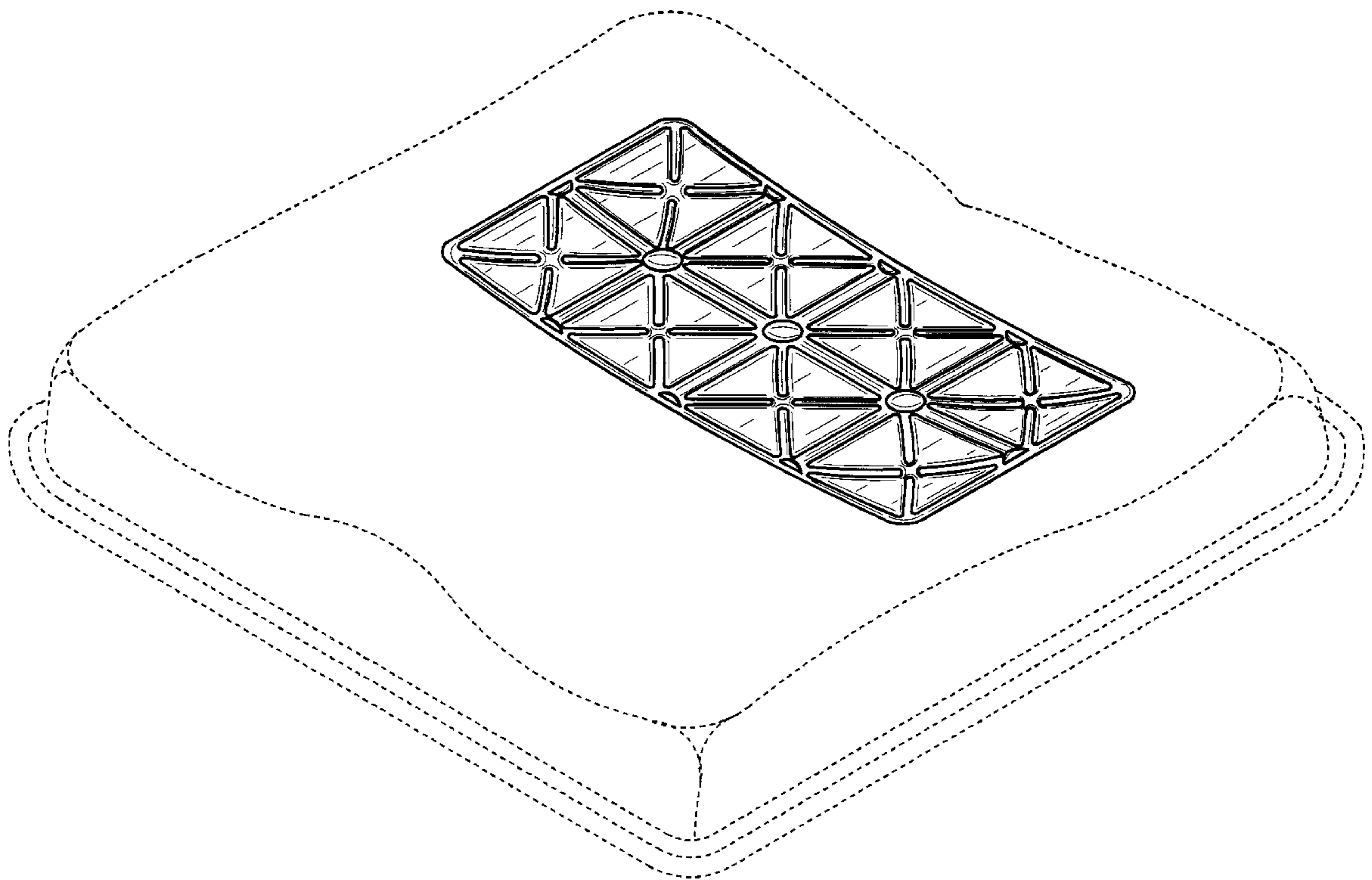
FIG. 7 is a fragmentary sectional view taken along line 7—7 of FIG. 2.

(56) **References Cited**

U.S. PATENT DOCUMENTS

D. 386,035 * 11/1997 Matsler et al. D6/601
5,369,828 * 12/1994 Graebe 5/654
5,461,741 * 10/1995 Graebe 5/654
5,561,875 * 10/1996 Graebe 5/423

1 Claim, 3 Drawing Sheets



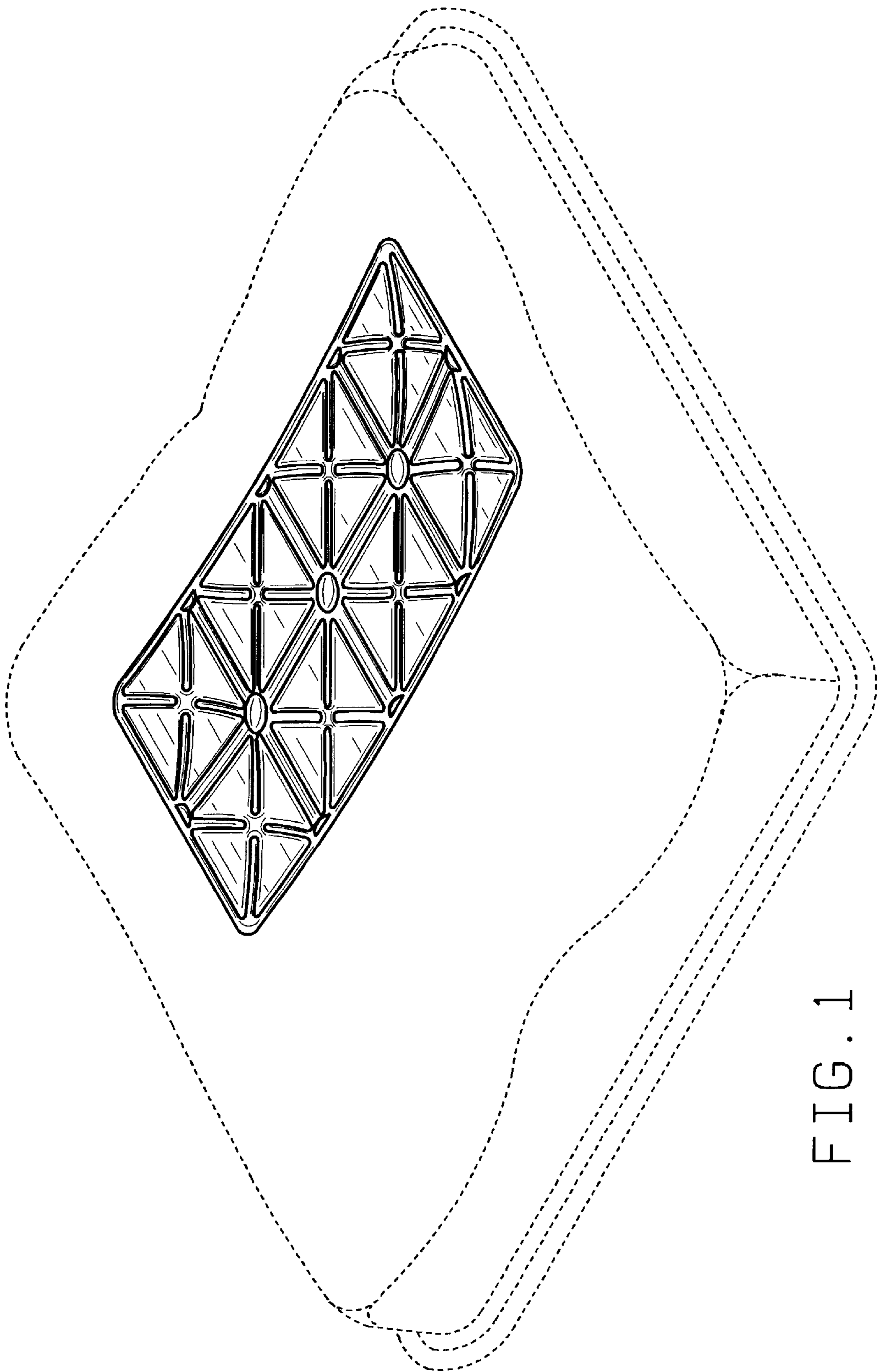


FIG. 1

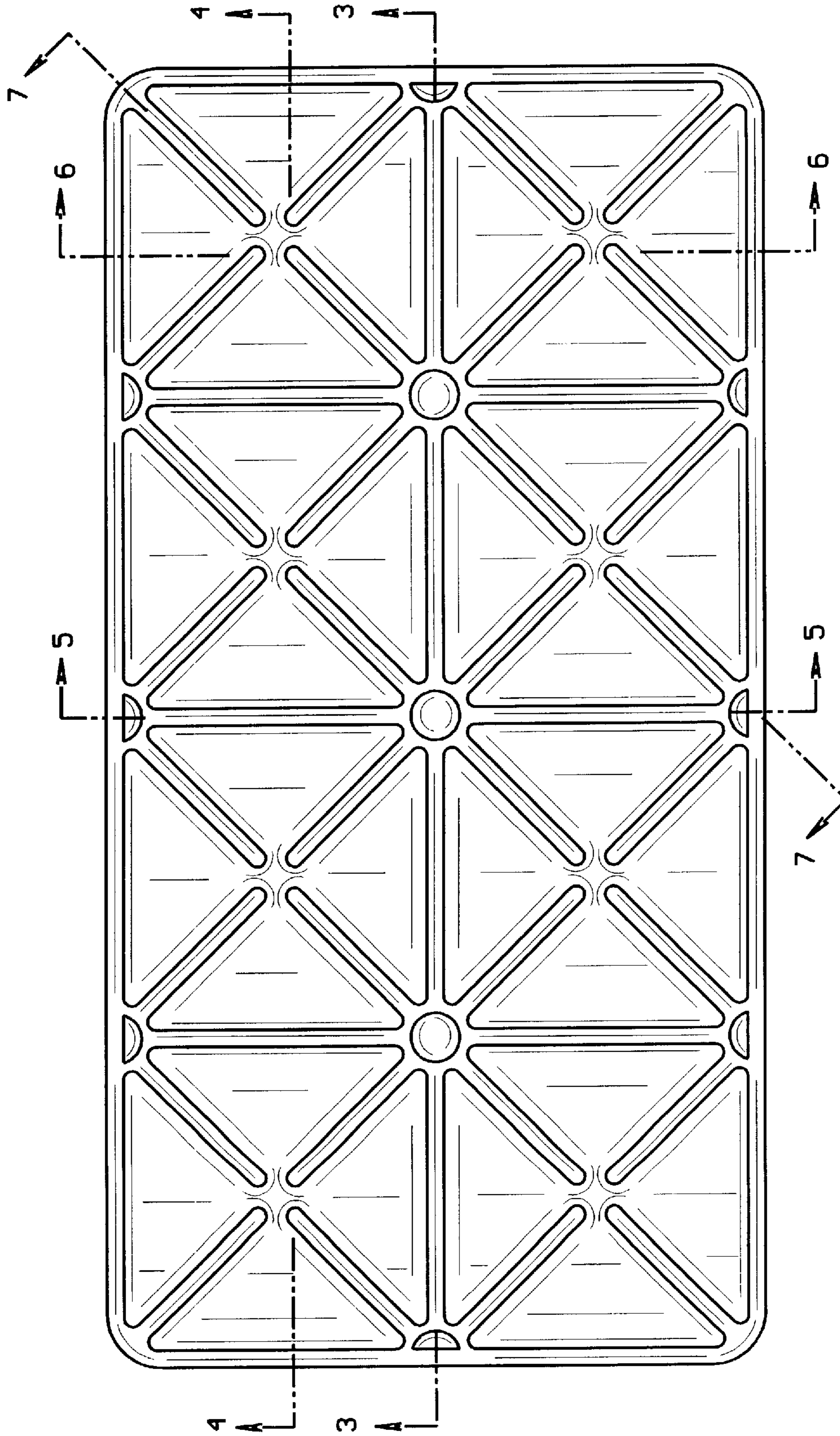


FIG. 2



FIG. 3



FIG. 4



FIG. 5



FIG. 6



FIG. 7