



US00D439094S

(12) **United States Design Patent**
Melillo

(10) **Patent No.:** **US D439,094 S**

(45) **Date of Patent:** **** Mar. 20, 2001**

(54) **LIGHTED MIRROR CABINET**

4,023,872 * 5/1977 Palka et al. 312/226
5,368,378 * 11/1994 Curtis 312/204

(75) Inventor: **Timothy Melillo**, Middlefield, OH (US)

OTHER PUBLICATIONS

(73) Assignee: **Kraftmaid Cabinetry, Inc.**,
Middlefield, OH (US)

Paul Associates Mirrored Cabinet p. 42.*
Strasser Wooden Works Mirrored Cabinet pamphlet.*
Kemp and George Catalogue Mirrored Cabinet p. 21.*

(**) Term: **14 Years**

* cited by examiner

(21) Appl. No.: **29/118,226**

Primary Examiner—Brian N. Vinson

(22) Filed: **Feb. 4, 2000**

(74) *Attorney, Agent, or Firm*—Edgar A. Zarins; Lloyd D. Doigan

(51) **LOC (7) Cl.** **06-04**

(52) **U.S. Cl.** **D6/561**

(58) **Field of Search** D6/559, 561, 329,
D6/396, 432, 436-439, 444-446, 448; 312/209,
224-226, 234, 242, 245, 204; 206/320,
823

(57) **CLAIM**

The ornamental design for a lighted mirror cabinet, as shown and described.

DESCRIPTION

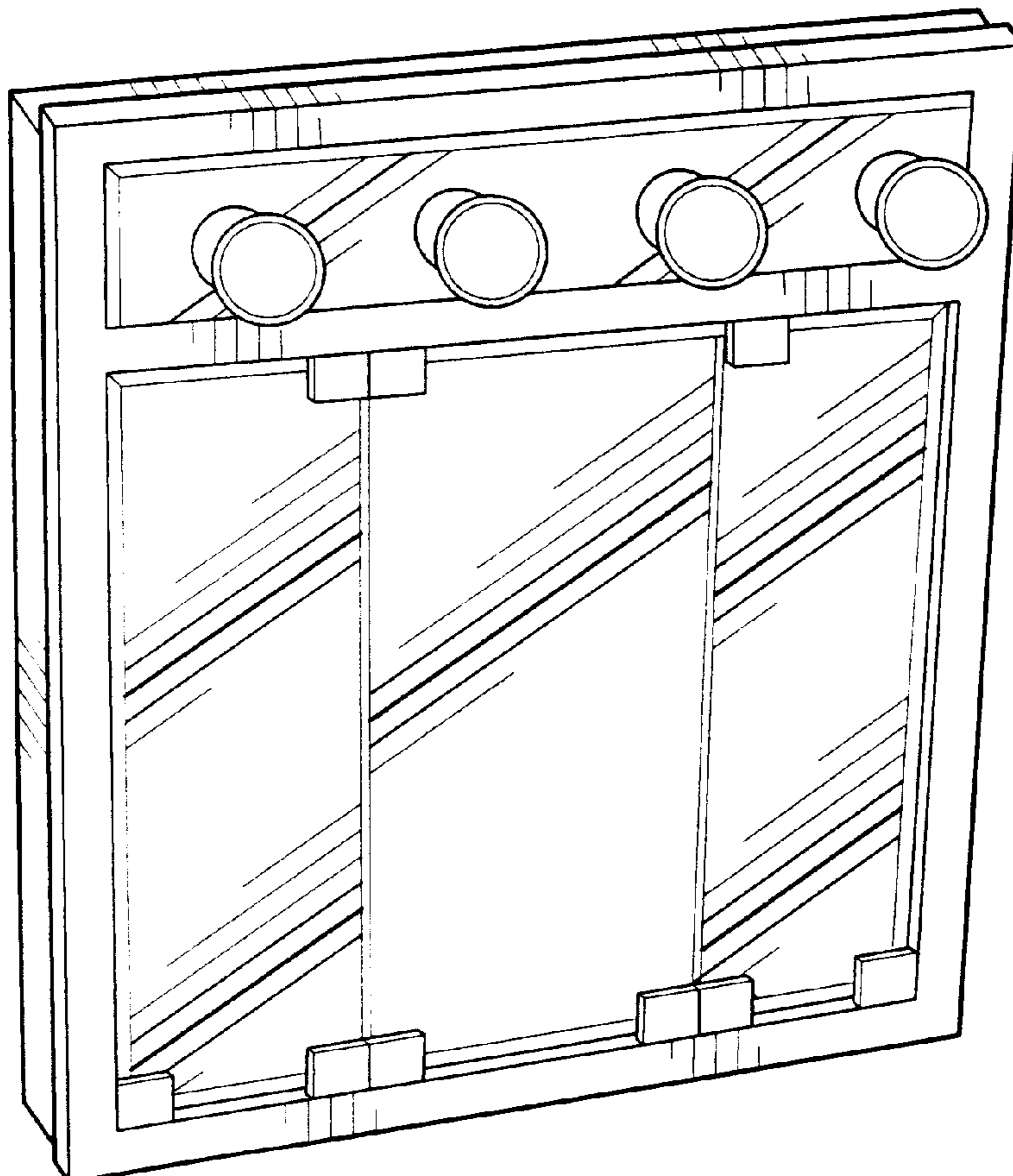
(56) **References Cited**

FIG. 1 is a perspective view of a lighted mirror cabinet showing my design;
FIG. 2 is a front elevational view thereof;
FIG. 3 is a top plan thereof; and,
FIG. 4 is a right side view thereof, the opposite side being a mirror image of the side shown.

U.S. PATENT DOCUMENTS

D. 303,896	*	10/1989	Baus	D6/561
D. 313,719	*	1/1991	Bressler et al.	D6/561
D. 393,170	*	4/1998	Palka	D6/559
D. 397,895	*	9/1998	Chen	D6/561
D. 419,811	*	2/2000	Schoeman	D6/561
3,909,091	*	9/1975	Tantillo	312/224

1 Claim, 1 Drawing Sheet



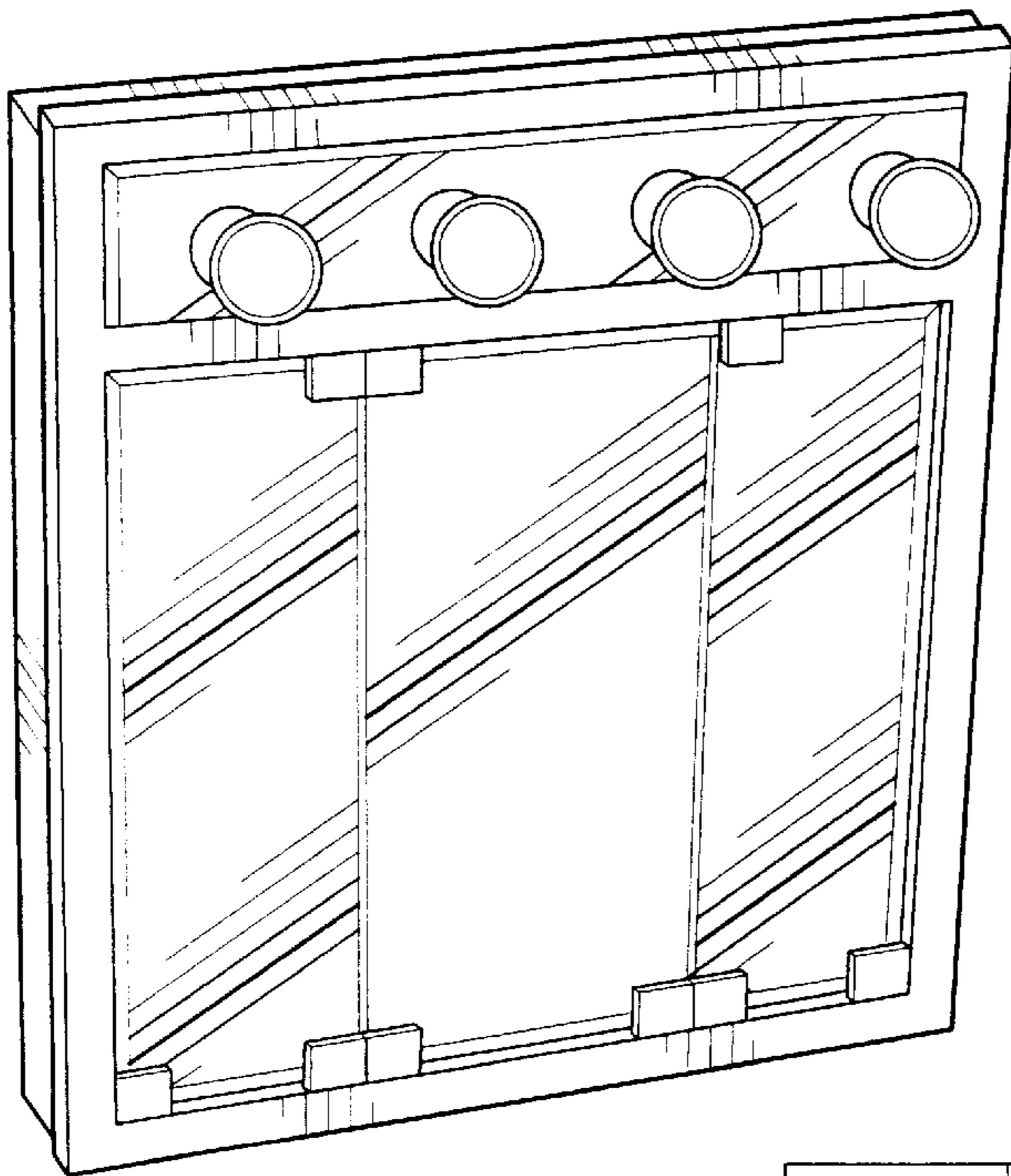


Fig-1

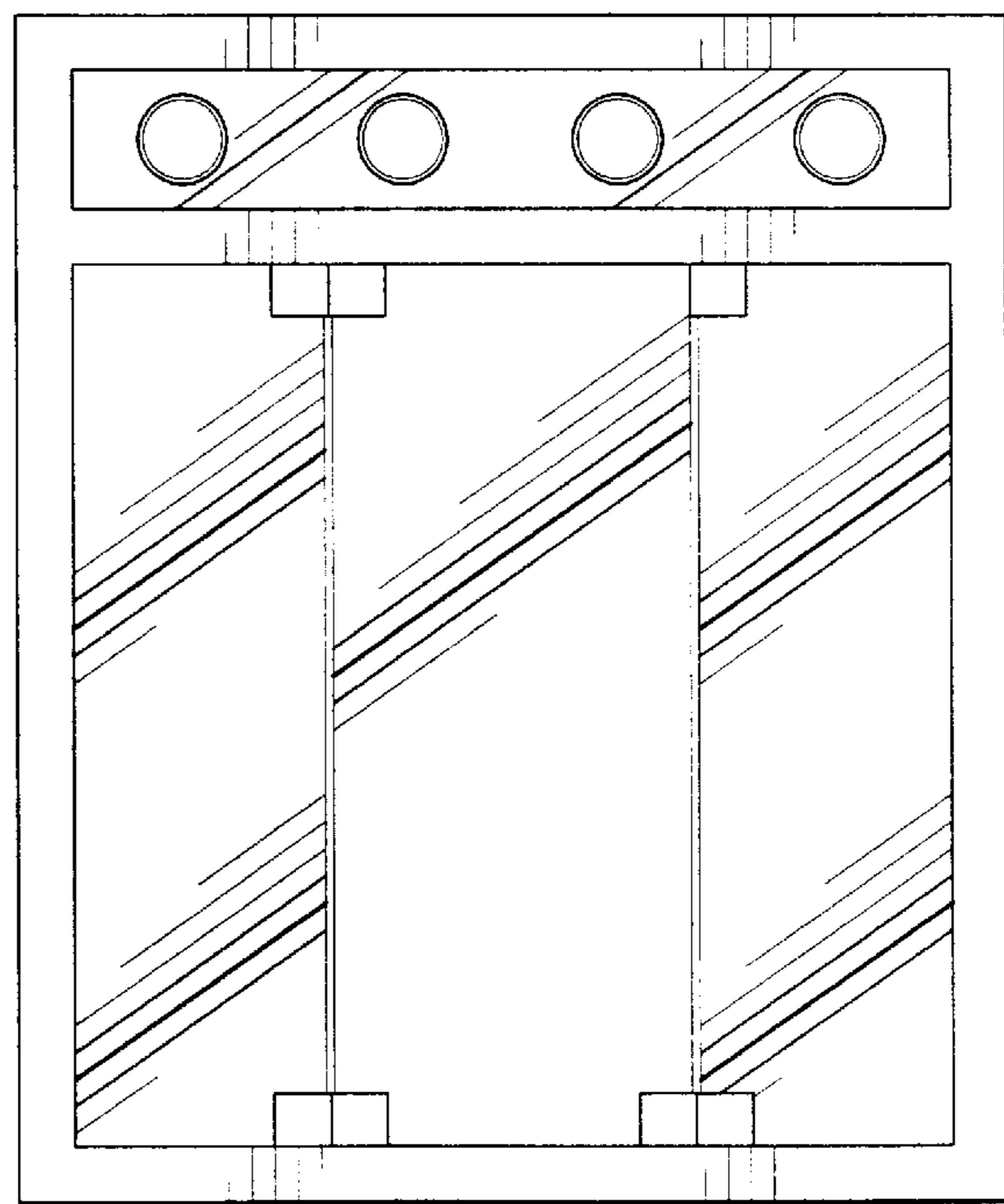


Fig-2

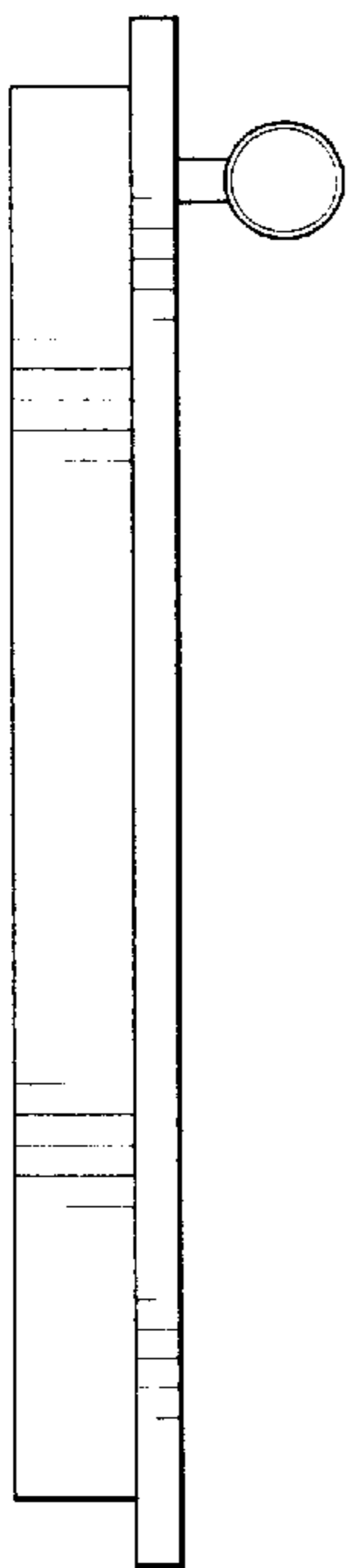


Fig-3

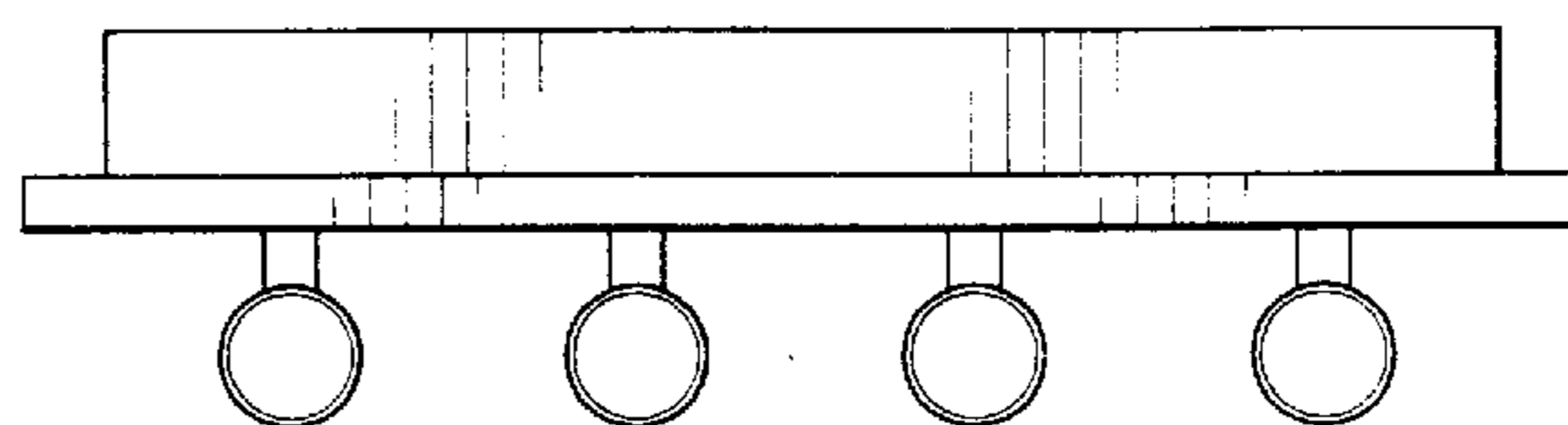


Fig-4