



US00D439090S

(12) **United States Design Patent**
Wu

(10) **Patent No.:** **US D439,090 S**

(45) **Date of Patent:** **** Mar. 20, 2001**

(54) **TOWEL RACK**

(76) **Inventor:** **Pauli Wu**, 5F.,No. 837,Pei An Rd.,
Taipei (TW)

(**) **Term:** **14 Years**

(21) **Appl. No.:** **29/121,097**

(22) **Filed:** **Apr. 3, 2000**

(51) **LOC (7) Cl.** **06-04**

(52) **U.S. Cl.** **D6/548**

(58) **Field of Search** D6/546-550, 522-523;
242/590, 596, 597-598; 211/13.1, 32, 35,
87.01, 88.04, 105.1, 105.2, 106, 123, 181.1,
182; 248/49, 214, 251, 302

(56) **References Cited**

U.S. PATENT DOCUMENTS

D. 126,838 * 4/1941 Sanford D6/548

D. 157,015 * 1/1950 Wheelan D6/548

D. 276,388 * 11/1984 Miller et al. D6/548

D. 392,138 * 3/1998 Wu D6/549

* cited by examiner

Primary Examiner—Brian N. Vinson

(74) *Attorney, Agent, or Firm*—Michael D. Bednarek;
Shaw Pittman

(57) **CLAIM**

The ornamental design for a towel rack, as shown and described.

DESCRIPTION

FIG. 1 is a front elevation of a towel rack;

FIG. 2 is a rear elevation thereof;

FIG. 3 is a left side elevation thereof;

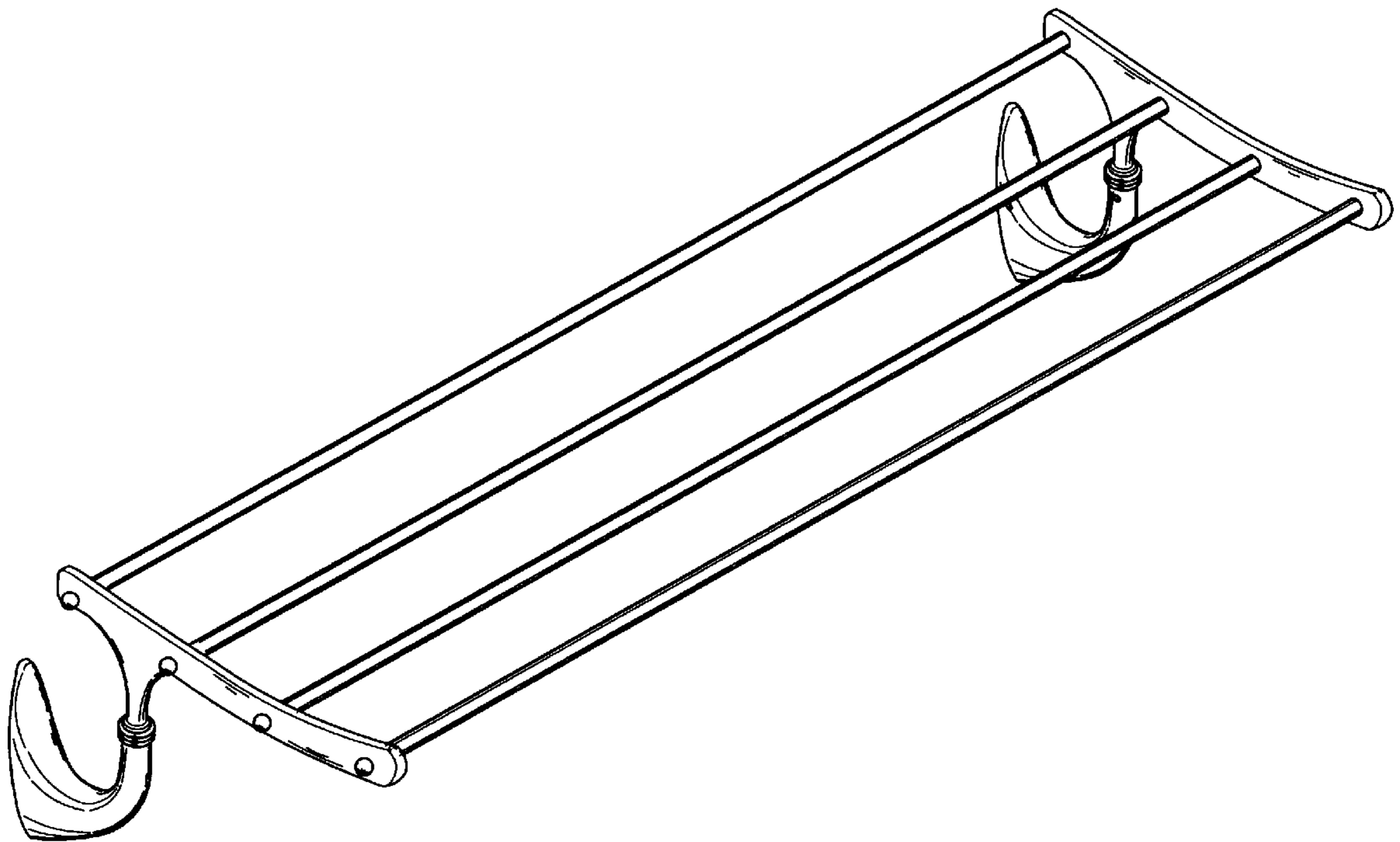
FIG. 4 is a right side elevation thereof;

FIG. 5 is a top plan view thereof;

FIG. 6 is a bottom plane view thereof; and,

FIG. 7 is a perspective view thereof.

1 Claim, 6 Drawing Sheets



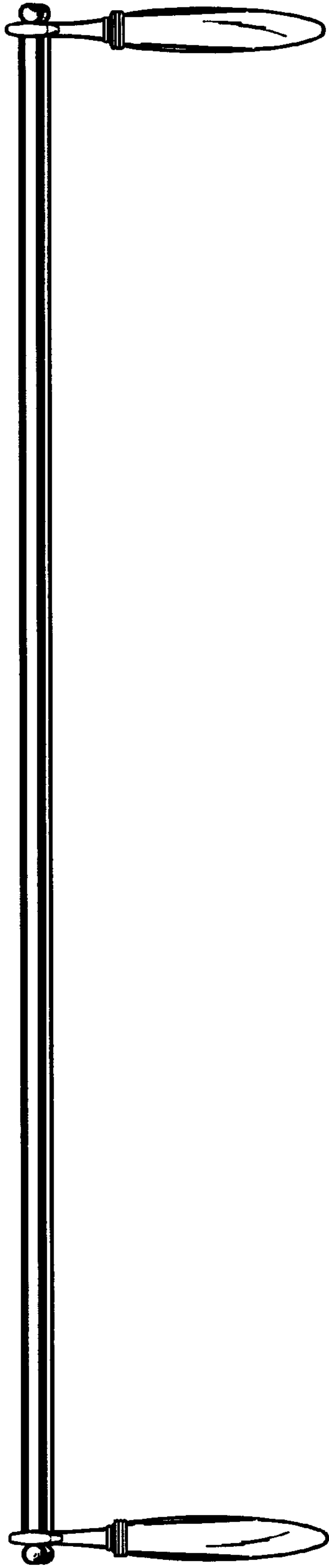


Fig. 1

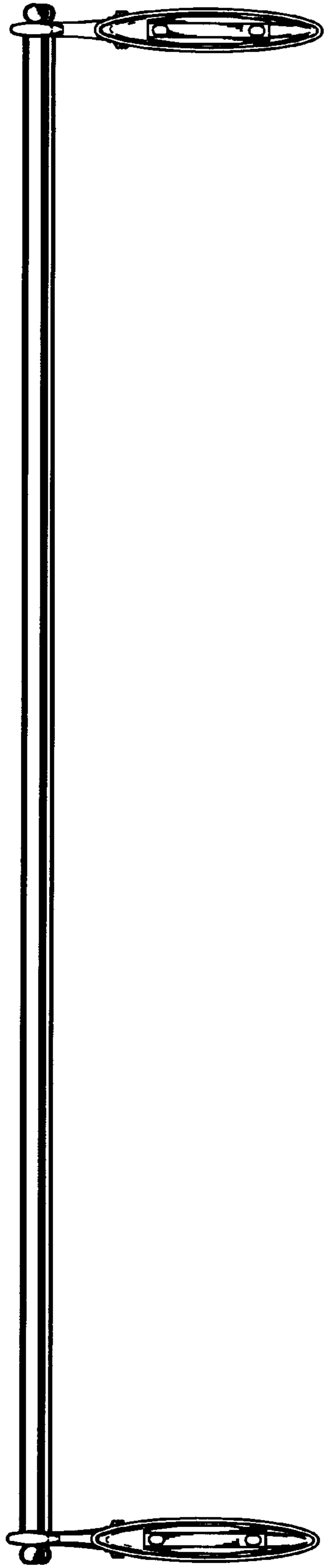


Fig. 2

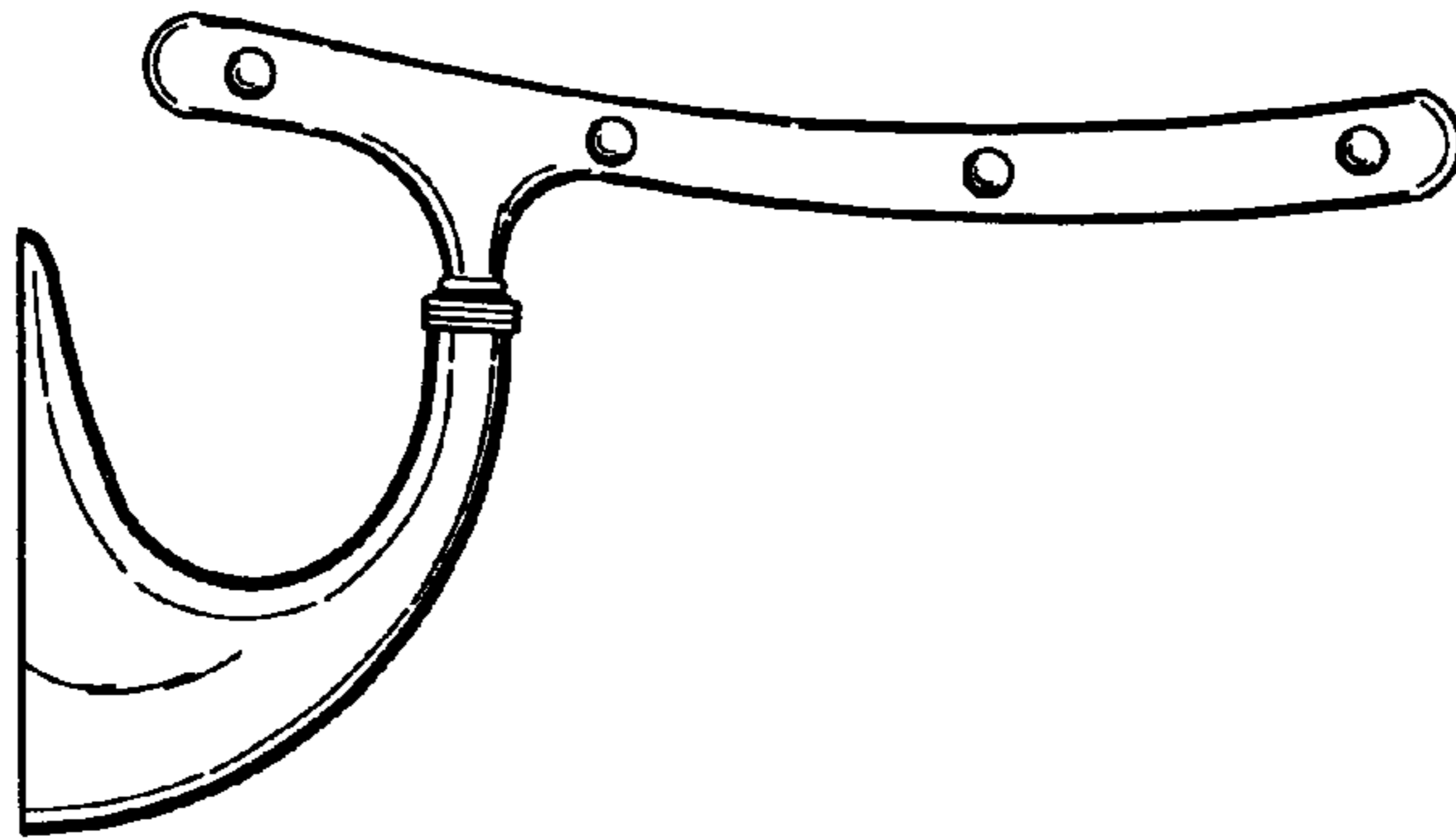


Fig. 3

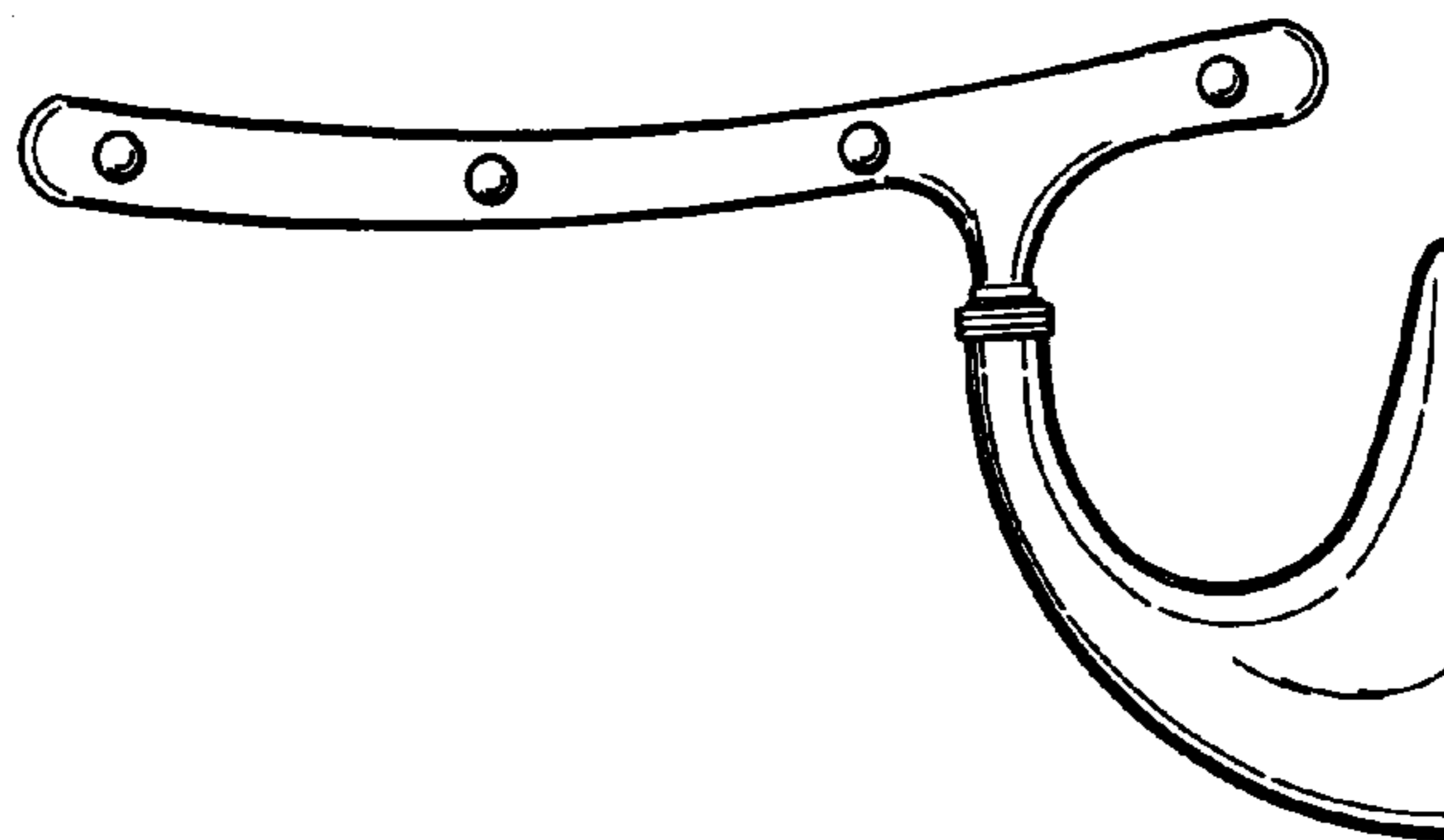


Fig. 4

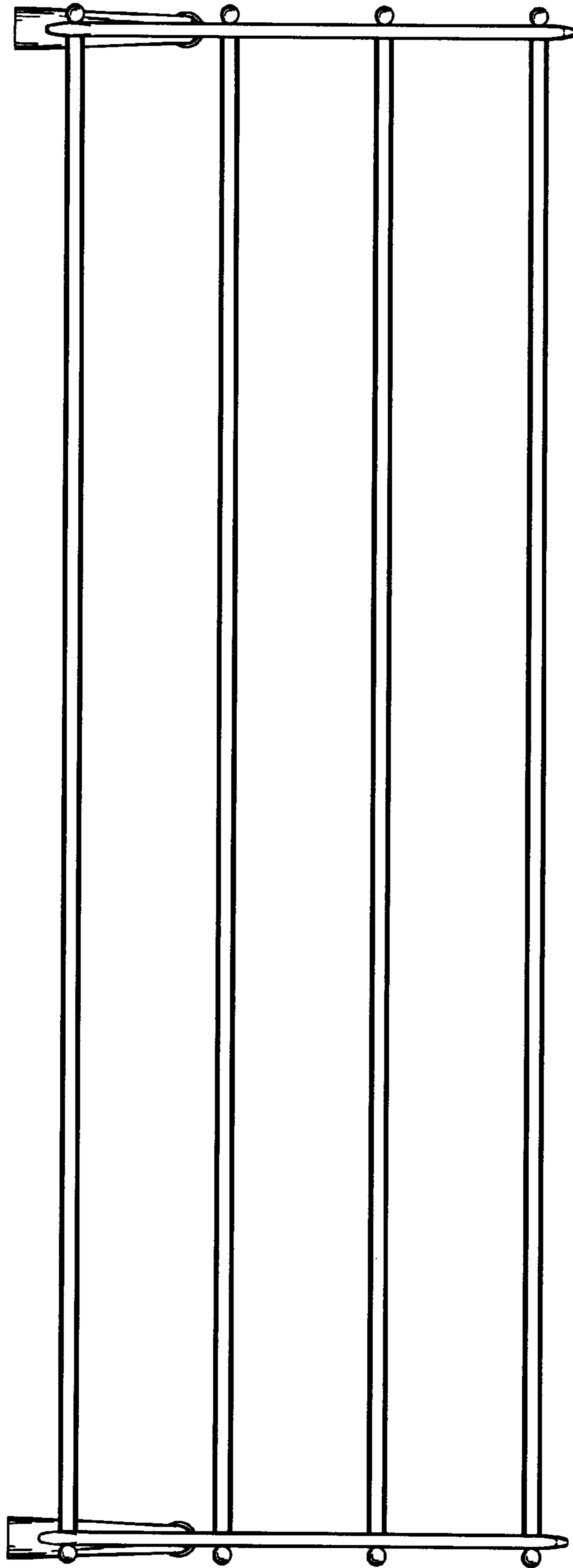


Fig. 5

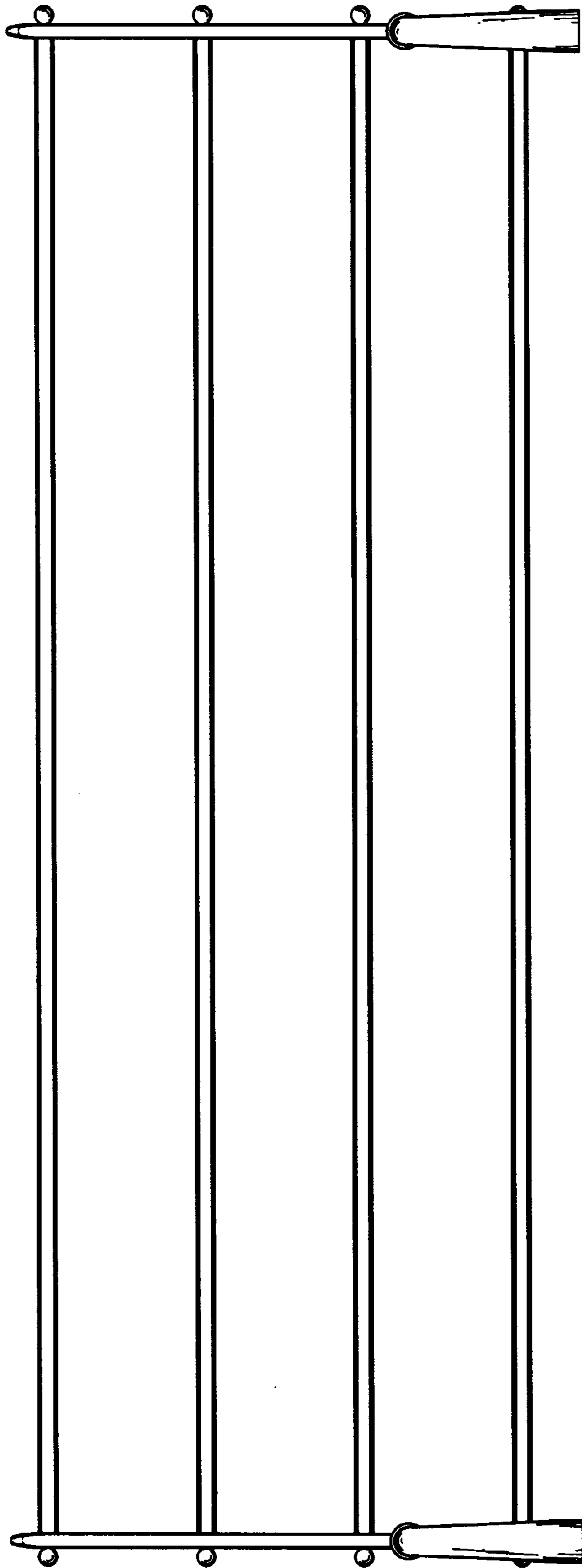


Fig. 6

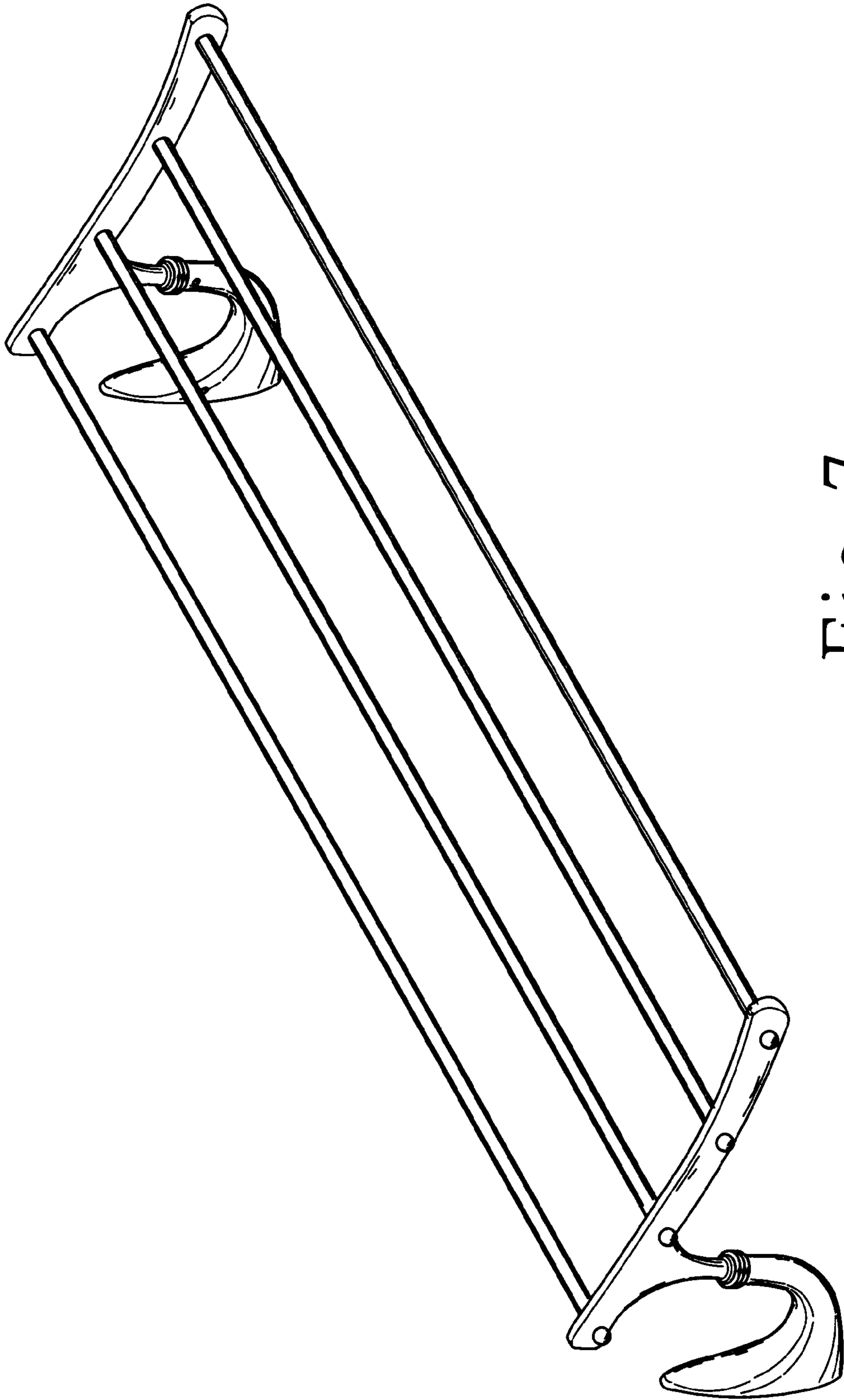


Fig. 7